

# 74LVC16244A; 74LVCH16244A

16-bit buffer/line driver; 5 V input/output tolerant; 3-state

Rev. 15 — 15 February 2019

Product data sheet

## 1. General description

---

The 74LVC16244A; 74LVCH16244A are 16-bit non-inverting buffer/line drivers with 3-state bus compatible outputs. The device can be used as four 4-bit buffers, two 8-bit buffers or one 16-bit buffer. It features four output enable inputs, (1OE to 4OE) each controlling four of the 3-state outputs. A HIGH on nOE causes the outputs to assume a high-impedance OFF-state.

Inputs can be driven from either 3.3 V or 5 V devices. When disabled, up to 5.5 V can be applied to the outputs. These features allow the use of these devices in mixed 3.3 V and 5 V applications.

The 74LVCH16244A bus hold on data inputs eliminates the need for external pull-up resistors to hold unused inputs.

## 2. Features and benefits

---

- 5 V tolerant inputs/outputs for interfacing with 5 V logic
- Wide supply voltage range from 1.2 V to 3.6 V
- CMOS low power consumption
- Multibyte flow-through standard pin-out architecture
- Low inductance multiple power and ground pins for minimum noise and ground bounce
- Direct interface with TTL levels
- High-impedance when  $V_{CC} = 0$  V
- All data inputs have bus hold. (74LVCH16244A only)
- Complies with JEDEC standard:
  - JESD8-7A (1.65 V to 1.95 V)
  - JESD8-5A (2.3 V to 2.7 V)
  - JESD8-C/JESD36 (2.7 V to 3.6 V)
- ESD protection:
  - HBM JESD22-A114F exceeds 2000 V
  - MM JESD22-A115-B exceeds 200 V
  - CDM ANSI/ESDA/Jedec JS-002 exceeds 1000 V
- Specified from -40 °C to +85 °C and -40 °C to +125 °C

### 3. Ordering information

Table 1. Ordering information

| Type number     | Temperature range | Package     |                                                                                           | Version  |
|-----------------|-------------------|-------------|-------------------------------------------------------------------------------------------|----------|
|                 |                   | Name        | Description                                                                               |          |
| 74LVC16244ADL   | -40 °C to +125 °C | SSOP48      | plastic shrink small outline package; 48 leads; body width 7.5 mm                         | SOT370-1 |
| 74LVCH16244ADL  |                   |             |                                                                                           |          |
| 74LVC16244ADGG  | -40 °C to +125 °C | TSSOP48     | plastic thin shrink small outline package; 48 leads; body width 6.1 mm                    | SOT362-1 |
| 74LVCH16244ADGG |                   |             |                                                                                           |          |
| 74LVC16244ADGV  | -40 °C to +125 °C | TSSOP48 [1] | plastic thin shrink small outline package; 48 leads; body width 4.4 mm; lead pitch 0.4 mm | SOT480-1 |
| 74LVCH16244ADGV |                   |             |                                                                                           |          |

[1] Also known as TVSOP48.

### 4. Functional diagram

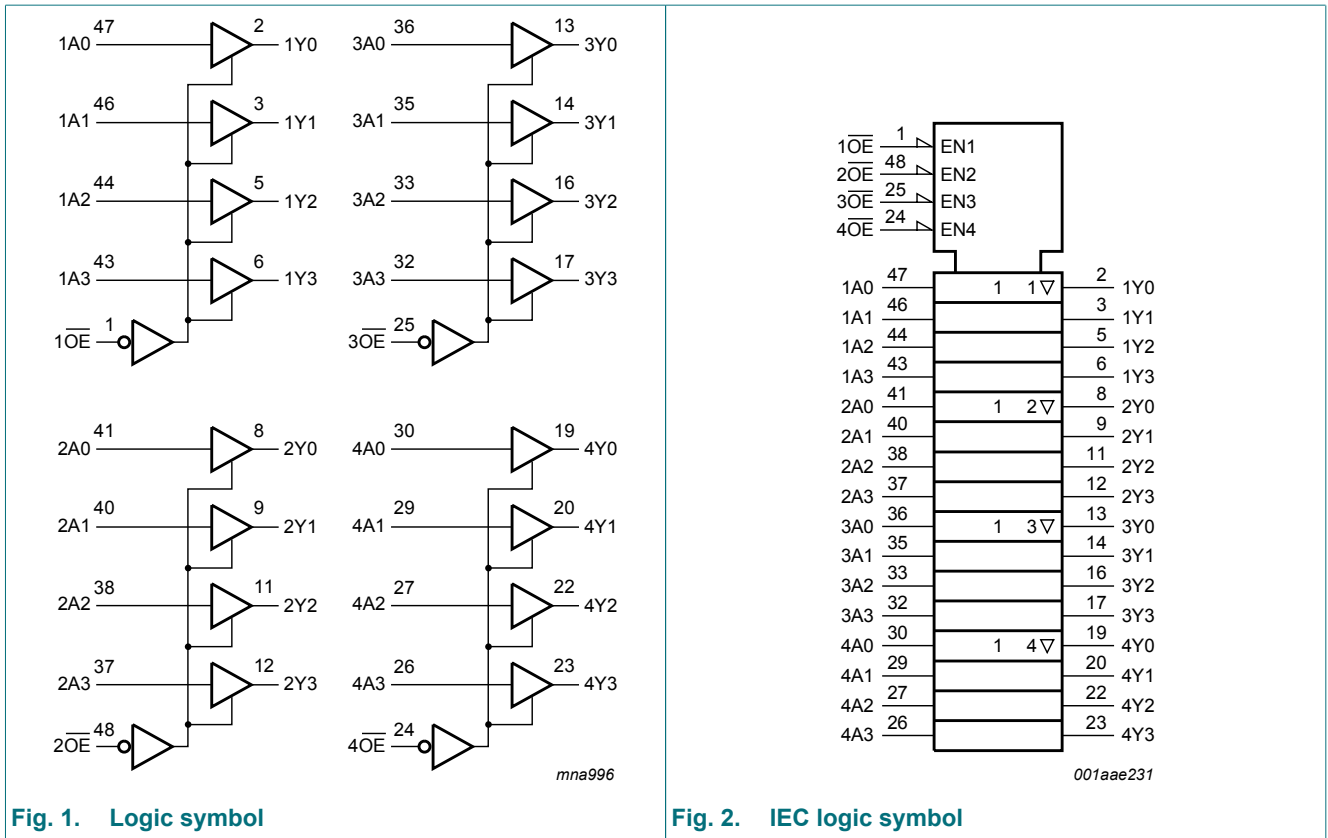


Fig. 1. Logic symbol

Fig. 2. IEC logic symbol

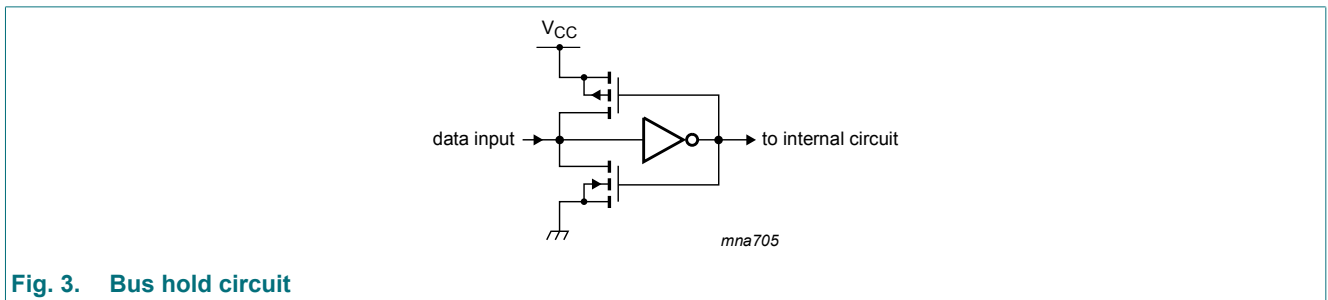


Fig. 3. Bus hold circuit

## 5. Pinning information

### 5.1. Pinning

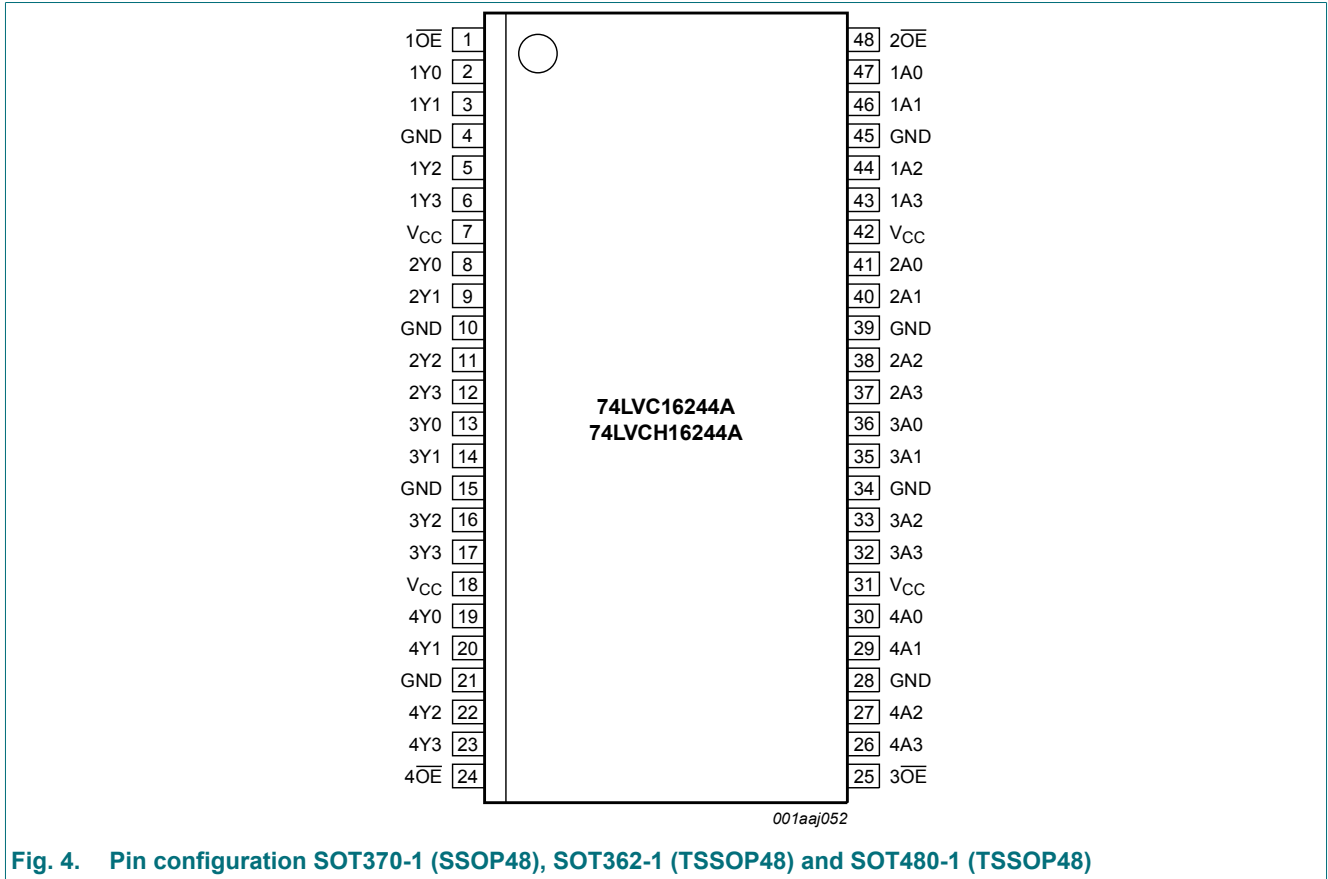


Fig. 4. Pin configuration SOT370-1 (SSOP48), SOT362-1 (TSSOP48) and SOT480-1 (TSSOP48)

### 5.2. Pin description

Table 2. Pin description

| Symbol             | Pin                           | Description                      |
|--------------------|-------------------------------|----------------------------------|
| 1OE, 2OE, 3OE, 4OE | 1, 48, 25, 24                 | output enable input (active LOW) |
| 1Y0 to 1Y3         | 2, 3, 5, 6                    | data output                      |
| 2Y0 to 2Y3         | 8, 9, 11, 12                  | data output                      |
| 3Y0 to 3Y3         | 13, 14, 16, 17                | data output                      |
| 4Y0 to 4Y3         | 19, 20, 22, 23                | data output                      |
| GND                | 4, 10, 15, 21, 28, 34, 39, 45 | ground (0 V)                     |
| V <sub>CC</sub>    | 7, 18, 31, 42                 | supply voltage                   |
| 1A0 to 1A3         | 47, 46, 44, 43                | data input                       |
| 2A0 to 2A3         | 41, 40, 38, 37                | data input                       |
| 3A0 to 3A3         | 36, 35, 33, 32                | data input                       |
| 4A0 to 4A3         | 30, 29, 27, 26                | data input                       |

## 6. Functional description

**Table 3. Function table**

*H = HIGH voltage level; L = LOW voltage level; X = don't care; Z = high-impedance OFF-state.*

| Control | Input | Output |
|---------|-------|--------|
| nOE     | nAn   | nYn    |
| L       | L     | L      |
| L       | H     | H      |
| H       | X     | Z      |

## 7. Limiting values

**Table 4. Limiting values**

*In accordance with the Absolute Maximum Rating System (IEC 60134). Voltages are referenced to GND (ground = 0 V).*

| Symbol    | Parameter               | Conditions                         | Min      | Max            | Unit |
|-----------|-------------------------|------------------------------------|----------|----------------|------|
| $V_{CC}$  | supply voltage          |                                    | -0.5     | +6.5           | V    |
| $I_{IK}$  | input clamping current  | $V_I < 0$ V                        | -50      | -              | mA   |
| $V_I$     | input voltage           |                                    | [1] -0.5 | +6.5           | V    |
| $I_{OK}$  | output clamping current | $V_O > V_{CC}$ or $V_O < 0$ V      | -        | ±50            | mA   |
| $V_O$     | output voltage          | output HIGH or LOW                 | [2] -0.5 | $V_{CC} + 0.5$ | V    |
|           |                         | output 3-state                     | [2] -0.5 | +6.5           | V    |
| $I_O$     | output current          | $V_O = 0$ V to $V_{CC}$            | -        | ±50            | mA   |
| $I_{CC}$  | supply current          |                                    | -        | 100            | mA   |
| $I_{GND}$ | ground current          |                                    | -100     | -              | mA   |
| $T_{stg}$ | storage temperature     |                                    | -65      | +150           | °C   |
| $P_{tot}$ | total power dissipation | $T_{amb} = -40$ °C to +125 °C; [3] | -        | 500            | mW   |

[1] The minimum input voltage ratings may be exceeded if the input current ratings are observed.

[2] The output voltage ratings may be exceeded if the output current ratings are observed.

[3] Above 60 °C the value of  $P_{tot}$  derates linearly with 5.5 mW/K.

## 8. Recommended operating conditions

**Table 5. Recommended operating conditions**

| Symbol              | Parameter                           | Conditions                | Min  | Typ | Max      | Unit |
|---------------------|-------------------------------------|---------------------------|------|-----|----------|------|
| $V_{CC}$            | supply voltage                      |                           | 1.65 | -   | 3.6      | V    |
|                     |                                     | functional                | 1.2  | -   | 3.6      | V    |
| $V_I$               | input voltage                       |                           | 0    | -   | 5.5      | V    |
| $V_O$               | output voltage                      | output HIGH or LOW        | 0    | -   | $V_{CC}$ | V    |
|                     |                                     | output 3-state            | 0    | -   | 5.5      | V    |
| $T_{amb}$           | ambient temperature                 | in free air               | -40  | -   | +125     | °C   |
| $\Delta t/\Delta V$ | input transition rise and fall rate | $V_{CC} = 1.2$ V to 2.7 V | 0    | -   | 20       | ns/V |
|                     |                                     | $V_{CC} = 2.7$ V to 3.6 V | 0    | -   | 10       | ns/V |

## 9. Static characteristics

**Table 6. Static characteristics**

At recommended operating conditions. Voltages are referenced to GND (ground = 0 V).

| Symbol           | Parameter                 | Conditions                                                                                                       | -40 °C to +85 °C     |         |                     | -40 °C to +125 °C    |                     | Unit |
|------------------|---------------------------|------------------------------------------------------------------------------------------------------------------|----------------------|---------|---------------------|----------------------|---------------------|------|
|                  |                           |                                                                                                                  | Min                  | Typ [1] | Max                 | Min                  | Max                 |      |
| V <sub>IH</sub>  | HIGH-level input voltage  | V <sub>CC</sub> = 1.2 V                                                                                          | 1.08                 | -       | -                   | 1.08                 | -                   | V    |
|                  |                           | V <sub>CC</sub> = 1.65 V to 1.95 V                                                                               | 0.65V <sub>CC</sub>  | -       | -                   | 0.65V <sub>CC</sub>  | -                   | V    |
|                  |                           | V <sub>CC</sub> = 2.3 V to 2.7 V                                                                                 | 1.7                  | -       | -                   | 1.7                  | -                   | V    |
|                  |                           | V <sub>CC</sub> = 2.7 V to 3.6 V                                                                                 | 2.0                  | -       | -                   | 2.0                  | -                   | V    |
| V <sub>IL</sub>  | LOW-level input voltage   | V <sub>CC</sub> = 1.2 V                                                                                          | -                    | -       | 0.12                | -                    | 0.12                | V    |
|                  |                           | V <sub>CC</sub> = 1.65 V to 1.95 V                                                                               | -                    | -       | 0.35V <sub>CC</sub> | -                    | 0.35V <sub>CC</sub> | V    |
|                  |                           | V <sub>CC</sub> = 2.3 V to 2.7 V                                                                                 | -                    | -       | 0.7                 | -                    | 0.7                 | V    |
|                  |                           | V <sub>CC</sub> = 2.7 V to 3.6 V                                                                                 | -                    | -       | 0.8                 | -                    | 0.8                 | V    |
| V <sub>OH</sub>  | HIGH-level output voltage | V <sub>I</sub> = V <sub>IH</sub> or V <sub>IL</sub>                                                              |                      |         |                     |                      |                     |      |
|                  |                           | I <sub>O</sub> = -100 µA; V <sub>CC</sub> = 1.65 V to 3.6 V                                                      | V <sub>CC</sub> -0.2 | -       | -                   | V <sub>CC</sub> -0.3 | -                   | V    |
|                  |                           | I <sub>O</sub> = -4 mA; V <sub>CC</sub> = 1.65 V                                                                 | 1.2                  | -       | -                   | 1.05                 | -                   | V    |
|                  |                           | I <sub>O</sub> = -8 mA; V <sub>CC</sub> = 2.3 V                                                                  | 1.8                  | -       | -                   | 1.65                 | -                   | V    |
|                  |                           | I <sub>O</sub> = -12 mA; V <sub>CC</sub> = 2.7 V                                                                 | 2.2                  | -       | -                   | 2.05                 | -                   | V    |
|                  |                           | I <sub>O</sub> = -18 mA; V <sub>CC</sub> = 3.0 V                                                                 | 2.4                  | -       | -                   | 2.25                 | -                   | V    |
| V <sub>OL</sub>  | LOW-level output voltage  | V <sub>I</sub> = V <sub>IH</sub> or V <sub>IL</sub>                                                              |                      |         |                     |                      |                     |      |
|                  |                           | I <sub>O</sub> = 100 µA; V <sub>CC</sub> = 1.65 V to 3.6 V                                                       | -                    | -       | 0.2                 | -                    | 0.3                 | V    |
|                  |                           | I <sub>O</sub> = 4 mA; V <sub>CC</sub> = 1.65 V                                                                  | -                    | -       | 0.45                | -                    | 0.65                | V    |
|                  |                           | I <sub>O</sub> = 8 mA; V <sub>CC</sub> = 2.3 V                                                                   | -                    | -       | 0.6                 | -                    | 0.8                 | V    |
|                  |                           | I <sub>O</sub> = 12 mA; V <sub>CC</sub> = 2.7 V                                                                  | -                    | -       | 0.4                 | -                    | 0.6                 | V    |
|                  |                           | I <sub>O</sub> = 24 mA; V <sub>CC</sub> = 3.0 V                                                                  | -                    | -       | 0.55                | -                    | 0.8                 | V    |
| I <sub>I</sub>   | input leakage current     | V <sub>CC</sub> = 3.6 V; V <sub>I</sub> = 5.5 V or GND                                                           | -                    | ±0.1    | ±5                  | -                    | ±20                 | µA   |
| I <sub>OZ</sub>  | OFF-state output current  | V <sub>I</sub> = V <sub>IH</sub> or V <sub>IL</sub> ; V <sub>CC</sub> = 3.6 V; V <sub>O</sub> = 5.5 V or GND [2] | -                    | ±0.1    | ±5                  | -                    | ±20                 | µA   |
| I <sub>OFF</sub> | power-off leakage current | V <sub>CC</sub> = 0 V; V <sub>I</sub> or V <sub>O</sub> = 5.5 V                                                  | -                    | ±0.1    | ±10                 | -                    | ±20                 | µA   |
| I <sub>CC</sub>  | supply current            | V <sub>CC</sub> = 3.6 V; I <sub>O</sub> = 0 A; V <sub>I</sub> = V <sub>CC</sub> or GND                           | -                    | 0.1     | 20                  | -                    | 80                  | µA   |
| ΔI <sub>CC</sub> | additional supply current | per input pin; V <sub>CC</sub> = 2.7 V to 3.6 V; V <sub>I</sub> = V <sub>CC</sub> - 0.6 V; I <sub>O</sub> = 0 A  | -                    | 5       | 500                 | -                    | 5000                | µA   |
| C <sub>I</sub>   | input capacitance         | V <sub>CC</sub> = 0 V to 3.6 V; V <sub>I</sub> = GND to V <sub>CC</sub>                                          | -                    | 5.0     | -                   | -                    | -                   | pF   |
| I <sub>BHL</sub> | bus hold LOW current      | V <sub>CC</sub> = 1.65; V <sub>I</sub> = 0.58 V [3] [4]                                                          | 10                   | -       | -                   | 10                   | -                   | µA   |
|                  |                           | V <sub>CC</sub> = 2.3; V <sub>I</sub> = 0.7 V                                                                    | 30                   | -       | -                   | 25                   | -                   | µA   |
|                  |                           | V <sub>CC</sub> = 3.0; V <sub>I</sub> = 0.8 V                                                                    | 75                   | -       | -                   | 60                   | -                   | µA   |
| I <sub>BHH</sub> | bus hold HIGH current     | V <sub>CC</sub> = 1.65; V <sub>I</sub> = 1.07 V [3] [4]                                                          | -10                  | -       | -                   | -10                  | -                   | µA   |
|                  |                           | V <sub>CC</sub> = 2.3; V <sub>I</sub> = 1.7 V                                                                    | -30                  | -       | -                   | -25                  | -                   | µA   |
|                  |                           | V <sub>CC</sub> = 3.0; V <sub>I</sub> = 2.0 V                                                                    | -75                  | -       | -                   | -60                  | -                   | µA   |

| Symbol            | Parameter                       | Conditions                       | -40 °C to +85 °C |         |     | -40 °C to +125 °C |     | Unit |
|-------------------|---------------------------------|----------------------------------|------------------|---------|-----|-------------------|-----|------|
|                   |                                 |                                  | Min              | Typ [1] | Max | Min               | Max |      |
| I <sub>BHLO</sub> | bus hold LOW overdrive current  | V <sub>CC</sub> = 1.95 V [3] [5] | 200              | -       | -   | 200               | -   | µA   |
|                   |                                 | V <sub>CC</sub> = 2.7 V          | 300              | -       | -   | 300               | -   | µA   |
|                   |                                 | V <sub>CC</sub> = 3.6 V          | 500              | -       | -   | 500               | -   | µA   |
| I <sub>BHHO</sub> | bus hold HIGH overdrive current | V <sub>CC</sub> = 1.95 V [3] [5] | -200             | -       | -   | -200              | -   | µA   |
|                   |                                 | V <sub>CC</sub> = 2.7 V          | -300             | -       | -   | -300              | -   | µA   |
|                   |                                 | V <sub>CC</sub> = 3.6 V          | -500             | -       | -   | -500              | -   | µA   |

[1] All typical values are measured at V<sub>CC</sub> = 3.3 V and T<sub>amb</sub> = 25 °C.

[2] The bus hold circuit is switched off when V<sub>I</sub> > V<sub>CC</sub> allowing 5.5 V on the input terminal.

[3] Valid for data inputs only. Control inputs do not have a bus hold circuit.

[4] The specified sustaining current at the data input holds the input below the specified V<sub>I</sub> level.

[5] The specified overdrive current at the data input forces the data input to the opposite logic input state.

## 10. Dynamic characteristics

**Table 7. Dynamic characteristics**

Voltages are referenced to GND (ground = 0 V). For test circuit see Fig. 7.

| Symbol           | Parameter                     | Conditions                                             | -40 °C to +85 °C |        |      | -40 °C to +125 °C |      | Unit |
|------------------|-------------------------------|--------------------------------------------------------|------------------|--------|------|-------------------|------|------|
|                  |                               |                                                        | Min              | Typ[1] | Max  | Min               | Max  |      |
| t <sub>pd</sub>  | propagation delay             | nAn to nYn; see Fig. 5 [2]                             |                  |        |      |                   |      |      |
|                  |                               | V <sub>CC</sub> = 1.2 V                                | -                | 11.0   | -    | -                 | -    | ns   |
|                  |                               | V <sub>CC</sub> = 1.65 V to 1.95 V                     | 1.5              | 4.8    | 10.7 | 1.5               | 11.3 | ns   |
|                  |                               | V <sub>CC</sub> = 2.3 V to 2.7 V                       | 1.0              | 2.6    | 5.3  | 1.0               | 5.9  | ns   |
|                  |                               | V <sub>CC</sub> = 2.7 V                                | 1.0              | 2.6    | 4.7  | 1.0               | 6.0  | ns   |
|                  |                               | V <sub>CC</sub> = 3.0 V to 3.6 V                       | 1.1              | 2.2    | 4.1  | 1.1               | 5.5  | ns   |
| t <sub>en</sub>  | enable time                   | nOE to nYn; see Fig. 6 [2]                             |                  |        |      |                   |      |      |
|                  |                               | V <sub>CC</sub> = 1.2 V                                | -                | 15.0   | -    | -                 | -    | ns   |
|                  |                               | V <sub>CC</sub> = 1.65 V to 1.95 V                     | 1.5              | 6.2    | 12.1 | 1.5               | 12.7 | ns   |
|                  |                               | V <sub>CC</sub> = 2.3 V to 2.7 V                       | 1.0              | 3.5    | 6.4  | 1.0               | 7.1  | ns   |
|                  |                               | V <sub>CC</sub> = 2.7 V                                | 1.0              | 3.3    | 5.8  | 1.0               | 7.5  | ns   |
|                  |                               | V <sub>CC</sub> = 3.0 V to 3.6 V                       | 1.0              | 2.8    | 4.6  | 1.0               | 6.0  | ns   |
| t <sub>dis</sub> | disable time                  | nOE to nYn; see Fig. 6 [2]                             |                  |        |      |                   |      |      |
|                  |                               | V <sub>CC</sub> = 1.2 V                                | -                | 10.0   | -    | -                 | -    | ns   |
|                  |                               | V <sub>CC</sub> = 1.65 V to 1.95 V                     | 2.5              | 4.4    | 8.7  | 2.5               | 9.4  | ns   |
|                  |                               | V <sub>CC</sub> = 2.3 V to 2.7 V                       | 1.0              | 2.4    | 4.9  | 1.0               | 5.3  | ns   |
|                  |                               | V <sub>CC</sub> = 2.7 V                                | 1.0              | 3.2    | 6.2  | 1.0               | 8.0  | ns   |
|                  |                               | V <sub>CC</sub> = 3.0 V to 3.6 V                       | 1.8              | 3.1    | 5.2  | 1.8               | 6.5  | ns   |
| C <sub>PD</sub>  | power dissipation capacitance | per input; V <sub>I</sub> = GND to V <sub>CC</sub> [3] |                  |        |      |                   |      |      |
|                  |                               | V <sub>CC</sub> = 1.65 V to 1.95 V                     | -                | 4.8    | -    | -                 | -    | pF   |
|                  |                               | V <sub>CC</sub> = 2.3 V to 2.7 V                       | -                | 8.3    | -    | -                 | -    | pF   |
|                  |                               | V <sub>CC</sub> = 3.0 V to 3.6 V                       | -                | 11.4   | -    | -                 | -    | pF   |

[1] Typical values are measured at T<sub>amb</sub> = 25 °C and V<sub>CC</sub> = 1.2 V, 1.8 V, 2.5 V, 2.7 V and 3.3 V respectively.

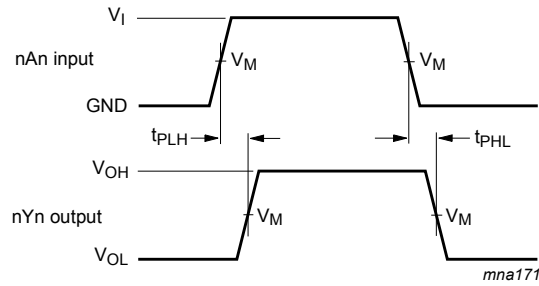
[2] t<sub>pd</sub> is the same as t<sub>PLH</sub> and t<sub>PHL</sub>; t<sub>en</sub> is the same as t<sub>PZL</sub> and t<sub>PZH</sub>; t<sub>dis</sub> is the same as t<sub>PLZ</sub> and t<sub>PHZ</sub>.

[3] C<sub>PD</sub> is used to determine the dynamic power dissipation (P<sub>D</sub> in µW). P<sub>D</sub> = C<sub>PD</sub> × V<sub>CC</sub><sup>2</sup> × f<sub>i</sub> × N + ∑(C<sub>L</sub> × V<sub>CC</sub><sup>2</sup> × f<sub>o</sub>) where:

f<sub>i</sub> = input frequency in MHz; f<sub>o</sub> = output frequency in MHz; C<sub>L</sub> = output load capacitance in pF

V<sub>CC</sub> = supply voltage in Volts; N = number of inputs switching; ∑(C<sub>L</sub> × V<sub>CC</sub><sup>2</sup> × f<sub>o</sub>) = sum of the outputs.

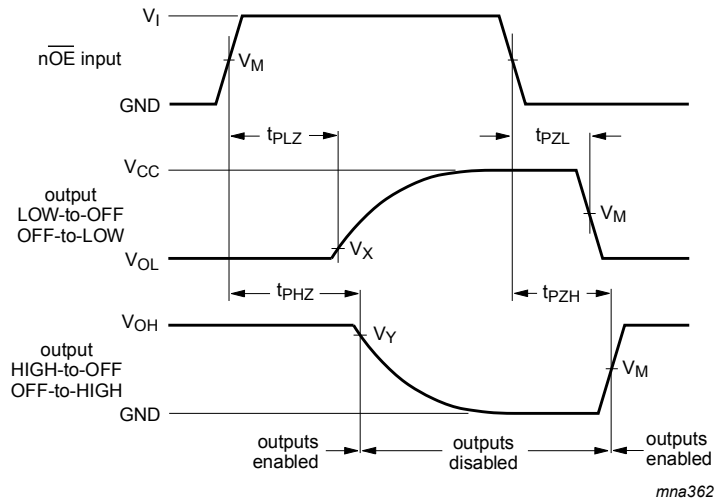
10.1. Waveforms and test circuit



Measurement points are given in [Table 8](#).

$V_{OL}$  and  $V_{OH}$  are typical output voltage levels that occur with the output load.

Fig. 5. The input (nAn) to output (nYn) propagation delays



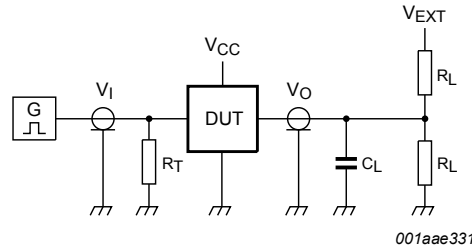
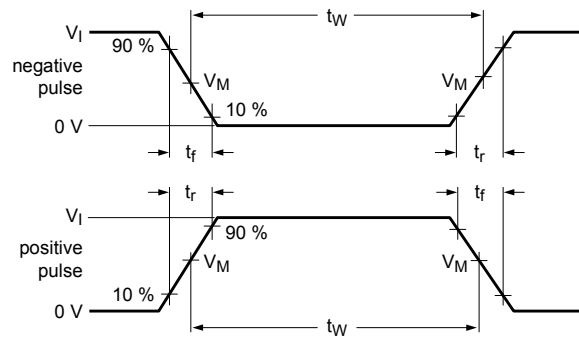
Measurement points are given in [Table 8](#).

$V_{OL}$  and  $V_{OH}$  are typical output voltage levels that occur with the output load.

Fig. 6. 3-state enable and disable times

Table 8. Measurement points

| Supply voltage   | Input               |          | Output              |                           |                           |
|------------------|---------------------|----------|---------------------|---------------------------|---------------------------|
| $V_{CC}$         | $V_M$               | $V_I$    | $V_M$               | $V_X$                     | $V_Y$                     |
| 1.2 V            | $0.5 \times V_{CC}$ | $V_{CC}$ | $0.5 \times V_{CC}$ | $V_{OL} + 0.15 \text{ V}$ | $V_{OH} - 0.15 \text{ V}$ |
| 1.65 V to 1.95 V | $0.5 \times V_{CC}$ | $V_{CC}$ | $0.5 \times V_{CC}$ | $V_{OL} + 0.15 \text{ V}$ | $V_{OH} - 0.15 \text{ V}$ |
| 2.3 V to 2.7 V   | $0.5 \times V_{CC}$ | $V_{CC}$ | $0.5 \times V_{CC}$ | $V_{OL} + 0.15 \text{ V}$ | $V_{OH} - 0.15 \text{ V}$ |
| 2.7 V            | 1.5 V               | 2.7 V    | 1.5 V               | $V_{OL} + 0.3 \text{ V}$  | $V_{OH} - 0.3 \text{ V}$  |
| 3.0 V to 3.6 V   | 1.5 V               | 2.7 V    | 1.5 V               | $V_{OL} + 0.3 \text{ V}$  | $V_{OH} - 0.3 \text{ V}$  |



Test data is given in [Table 9](#).

Definitions for test circuit:

$R_L$  = Load resistance.

$C_L$  = Load capacitance including jig and probe capacitance.

$R_T$  = Termination resistance should be equal to output impedance  $Z_o$  of the pulse generator.

$V_{EXT}$  = External voltage for measuring switching times.

**Fig. 7. Test circuit for measuring switching times**

**Table 9. Test data**

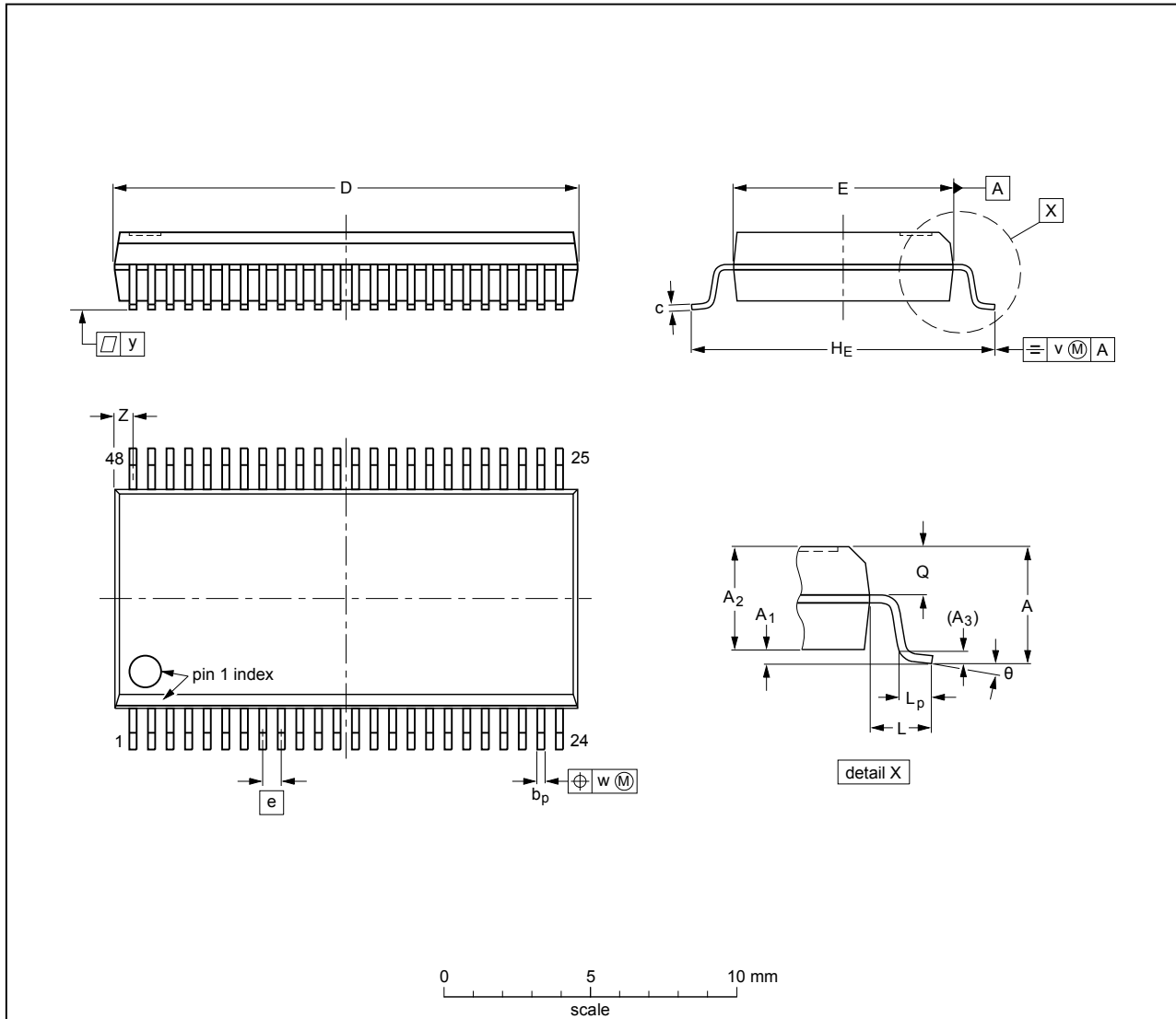
| Supply voltage   | Input    |               | Load  |              | $V_{EXT}$          |                    |                    |
|------------------|----------|---------------|-------|--------------|--------------------|--------------------|--------------------|
|                  | $V_I$    | $t_r, t_f$    | $C_L$ | $R_L$        | $t_{PLH}, t_{PHL}$ | $t_{PLZ}, t_{PZL}$ | $t_{PHZ}, t_{PZH}$ |
| 1.2 V            | $V_{CC}$ | $\leq 2$ ns   | 30 pF | 1 k $\Omega$ | open               | $2 \times V_{CC}$  | GND                |
| 1.65 V to 1.95 V | $V_{CC}$ | $\leq 2$ ns   | 30 pF | 1 k $\Omega$ | open               | $2 \times V_{CC}$  | GND                |
| 2.3 V to 2.7 V   | $V_{CC}$ | $\leq 2$ ns   | 30 pF | 500 $\Omega$ | open               | $2 \times V_{CC}$  | GND                |
| 2.7 V            | 2.7 V    | $\leq 2.5$ ns | 50 pF | 500 $\Omega$ | open               | $2 \times V_{CC}$  | GND                |
| 3.0 V to 3.6 V   | 2.7 V    | $\leq 2.5$ ns | 50 pF | 500 $\Omega$ | open               | $2 \times V_{CC}$  | GND                |



11. Package outline

SSOP48: plastic shrink small outline package; 48 leads; body width 7.5 mm

SOT370-1



DIMENSIONS (mm are the original dimensions)

| UNIT | A <sub>max.</sub> | A <sub>1</sub> | A <sub>2</sub> | A <sub>3</sub> | b <sub>p</sub> | c            | D <sup>(1)</sup> | E <sup>(1)</sup> | e     | H <sub>E</sub> | L   | L <sub>p</sub> | Q          | v    | w    | y   | Z <sup>(1)</sup> | θ        |
|------|-------------------|----------------|----------------|----------------|----------------|--------------|------------------|------------------|-------|----------------|-----|----------------|------------|------|------|-----|------------------|----------|
| mm   | 2.8               | 0.4<br>0.2     | 2.35<br>2.20   | 0.25           | 0.3<br>0.2     | 0.22<br>0.13 | 16.00<br>15.75   | 7.6<br>7.4       | 0.635 | 10.4<br>10.1   | 1.4 | 1.0<br>0.6     | 1.2<br>1.0 | 0.25 | 0.18 | 0.1 | 0.85<br>0.40     | 8°<br>0° |

Note

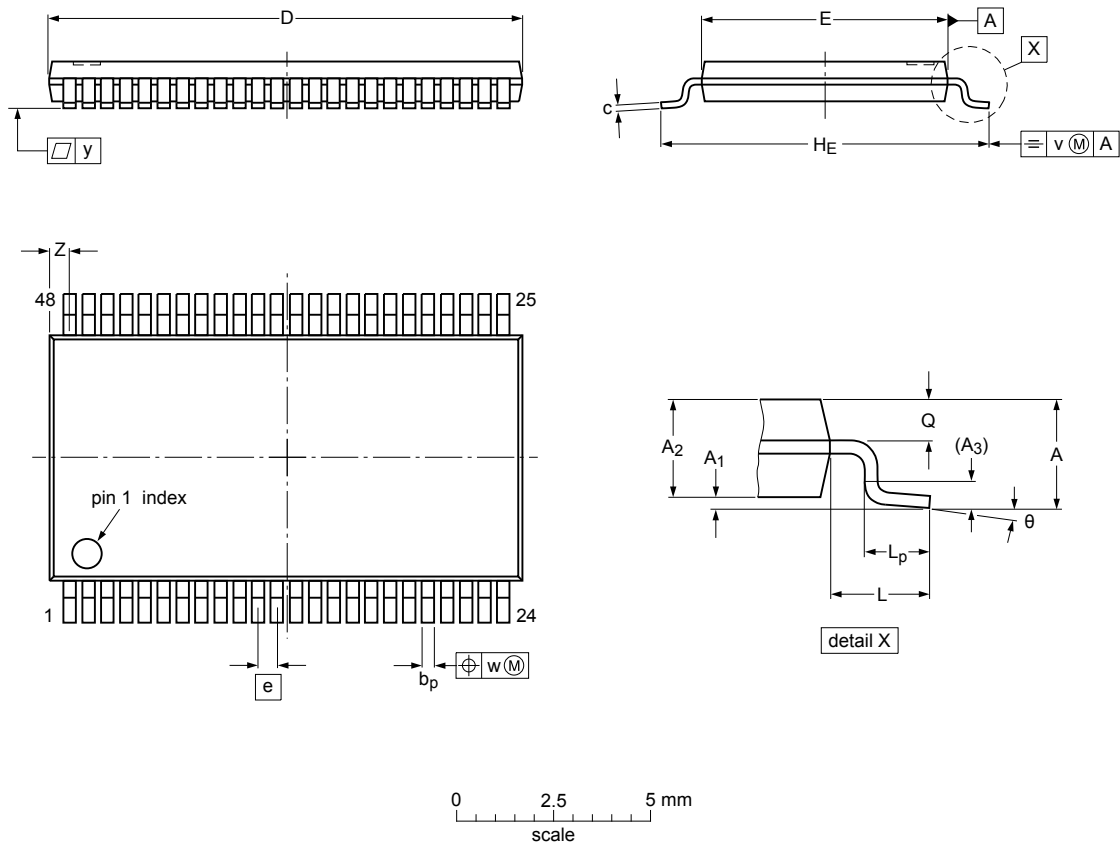
1. Plastic or metal protrusions of 0.25 mm maximum per side are not included.

| OUTLINE VERSION | REFERENCES |        |       |  | EUROPEAN PROJECTION | ISSUE DATE           |
|-----------------|------------|--------|-------|--|---------------------|----------------------|
|                 | IEC        | JEDEC  | JEITA |  |                     |                      |
| SOT370-1        |            | MO-118 |       |  |                     | 99-12-27<br>03-02-19 |

Fig. 8. Package outline SOT370-1 (SSOP48)

TSSOP48: plastic thin shrink small outline package; 48 leads; body width 6.1 mm

SOT362-1



Dimensions (mm are the original dimensions)

| Unit | A   | A <sub>1</sub> | A <sub>2</sub> | A <sub>3</sub> | b <sub>p</sub> | c   | D <sup>(1)</sup> | E <sup>(2)</sup> | e   | H <sub>E</sub> | L | L <sub>p</sub> | Q    | v    | w    | y   | Z   | θ  |
|------|-----|----------------|----------------|----------------|----------------|-----|------------------|------------------|-----|----------------|---|----------------|------|------|------|-----|-----|----|
| max  |     | 0.15           | 1.05           |                | 0.28           | 0.2 | 12.6             | 6.2              |     | 8.3            |   | 0.8            | 0.50 |      |      |     | 0.8 | 8° |
| nom  | 1.2 |                |                | 0.25           |                |     |                  |                  | 0.5 |                | 1 |                |      | 0.25 | 0.08 | 0.1 |     |    |
| min  |     | 0.05           | 0.85           |                | 0.17           | 0.1 | 12.4             | 6.0              |     | 7.9            |   | 0.4            | 0.35 |      |      |     | 0.4 | 0° |

Note

1. Plastic or metal protrusions of 0.15 mm maximum per side are not included.
2. Plastic interlead protrusions of 0.25 mm maximum per side are not included.

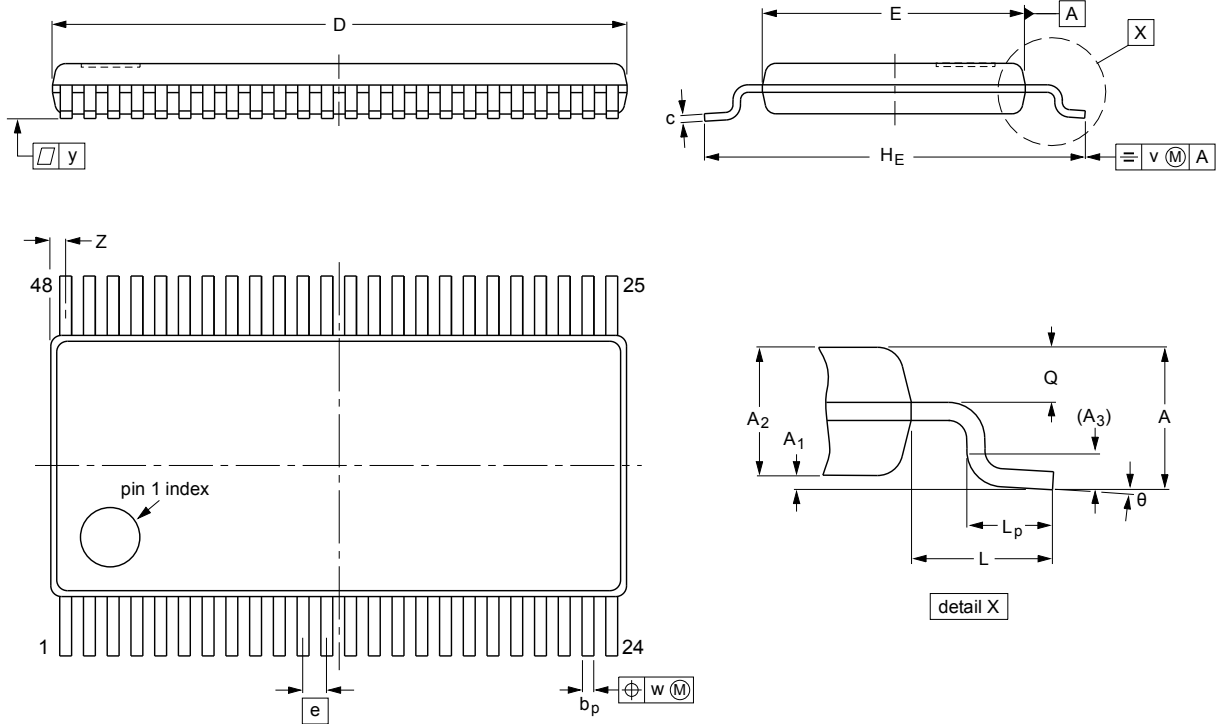
sot362-1\_po

| Outline version | References |        |       |  | European projection | Issue date             |
|-----------------|------------|--------|-------|--|---------------------|------------------------|
|                 | IEC        | JEDEC  | JEITA |  |                     |                        |
| SOT362-1        |            | MO-153 |       |  |                     | -03-02-19-<br>13-08-05 |

Fig. 9. Package outline SOT362-1 (TSSOP48)

TSSOP48: plastic thin shrink small outline package; 48 leads; body width 4.4 mm; lead pitch 0.4 mm

SOT480-1



**DIMENSIONS** (mm are the original dimensions)

| UNIT | A max. | A <sub>1</sub> | A <sub>2</sub> | A <sub>3</sub> | b <sub>p</sub> | c            | D <sup>(1)</sup> | E <sup>(2)</sup> | e   | H <sub>E</sub> | L | L <sub>p</sub> | Q          | v   | w    | y    | Z <sup>(1)</sup> | θ        |
|------|--------|----------------|----------------|----------------|----------------|--------------|------------------|------------------|-----|----------------|---|----------------|------------|-----|------|------|------------------|----------|
| mm   | 1.1    | 0.15<br>0.05   | 0.95<br>0.85   | 0.25           | 0.23<br>0.13   | 0.20<br>0.09 | 9.8<br>9.6       | 4.5<br>4.3       | 0.4 | 6.6<br>6.2     | 1 | 0.7<br>0.5     | 0.4<br>0.3 | 0.2 | 0.07 | 0.08 | 0.4<br>0.1       | 8°<br>0° |

**Notes**

1. Plastic or metal protrusions of 0.15 mm maximum per side are not included.
2. Plastic interlead protrusions of 0.25 mm maximum per side are not included.

| OUTLINE VERSION | REFERENCES |        |       |  | EUROPEAN PROJECTION | ISSUE DATE           |
|-----------------|------------|--------|-------|--|---------------------|----------------------|
|                 | IEC        | JEDEC  | JEITA |  |                     |                      |
| SOT480-1        |            | MO-153 |       |  |                     | 99-12-27<br>03-02-18 |

Fig. 10. Package outline SOT480-1 (TSSOP48)

## 12. Abbreviations

Table 10. Abbreviations

| Acronym | Description                             |
|---------|-----------------------------------------|
| CDM     | Charged Device Model                    |
| CMOS    | Complementary Metal Oxide Semiconductor |
| DUT     | Device Under Test                       |
| ESD     | ElectroStatic Discharge                 |
| HBM     | Human Body Model                        |
| MM      | Machine Model                           |
| TTL     | Transistor-Transistor Logic             |

## 13. Revision history

Table 11. Revision history

| Document ID                  | Release date                                                                                                                                                                                                                                                                       | Data sheet status     | Change notice | Supersedes                   |
|------------------------------|------------------------------------------------------------------------------------------------------------------------------------------------------------------------------------------------------------------------------------------------------------------------------------|-----------------------|---------------|------------------------------|
| 74LVC_LVCH16244A v.15        | 20190215                                                                                                                                                                                                                                                                           | Product data sheet    | -             | 74LVC_LVCH16244A v.14        |
| Modifications:               | <ul style="list-style-type: none"> <li>Type numbers 74LVC16244AEV and 74LVCH16244AEV (SOT702-1) removed.</li> <li>Type numbers 74LVC16244ABX and 74LVCH16244ABX (SOT1134-2) removed.</li> <li>Type numbers 74LVC16244ADGV and 74LVCH16244ADGV (SOT480-1) added.</li> </ul>         |                       |               |                              |
| 74LVC_LVCH16244A v.14        | 20170615                                                                                                                                                                                                                                                                           | Product data sheet    | -             | 74LVC_LVCH16244A v.13        |
| Modifications:               | <ul style="list-style-type: none"> <li>The format of this data sheet has been redesigned to comply with the identity guidelines of Nexperia.</li> <li>Legal texts have been adapted to the new company name where appropriate.</li> <li><a href="#">Fig. 1</a> updated.</li> </ul> |                       |               |                              |
| 74LVC_LVCH16244A v.13        | 20140207                                                                                                                                                                                                                                                                           | Product data sheet    | -             | 74LVC_LVCH16244A v.12        |
| Modifications:               | <ul style="list-style-type: none"> <li><a href="#">Table 5</a>: Minimum <math>V_{CC}</math> changed from 2.3 V to 1.65 V (errata).</li> </ul>                                                                                                                                      |                       |               |                              |
| 74LVC_LVCH16244A v.12        | 20120305                                                                                                                                                                                                                                                                           | Product data sheet    | -             | 74LVC_LVCH16244A v.11        |
| 74LVC_LVCH16244A v.11        | 20111027                                                                                                                                                                                                                                                                           | Product data sheet    | -             | 74LVC_LVCH16244A v.10        |
| 74LVC_LVCH16244A v.10        | 20110429                                                                                                                                                                                                                                                                           | Product data sheet    | -             | 74LVC_LVCH16244A v.9         |
| 74LVC_LVCH16244A v.9         | 20100318                                                                                                                                                                                                                                                                           | Product data sheet    | -             | 74LVC_LVCH16244A v.8         |
| 74LVC_LVCH16244A v.8         | 20081117                                                                                                                                                                                                                                                                           | Product data sheet    | -             | 74LVC_LVCH16244A v.7         |
| 74LVC_LVCH16244A v.7         | 20031208                                                                                                                                                                                                                                                                           | Product specification | -             | 74LVC_LVCH16244A v.6         |
| 74LVC_LVCH16244A v.6         | 20030130                                                                                                                                                                                                                                                                           | Product specification | -             | 74LVC_LVCH16244A v.5         |
| 74LVC_LVCH16244A v.5         | 20021030                                                                                                                                                                                                                                                                           | Product specification | -             | 74LVC_H16244A v.4            |
| 74LVC_H16244A v.4            | 19971028                                                                                                                                                                                                                                                                           | Product specification | -             | 74LVC16244A_74LVCH16244A v.3 |
| 74LVC16244A_74LVCH16244A v.3 | 19971028                                                                                                                                                                                                                                                                           | Product specification | -             | 74LVC16244A v.2              |
| 74LVC16244A v.2              | 19970630                                                                                                                                                                                                                                                                           | Product specification | -             | 74LVC16244A v.1              |
| 74LVC16244A v.1              | -                                                                                                                                                                                                                                                                                  | -                     | -             | -                            |

## 14. Legal information

### Data sheet status

| Document status [1][2]         | Product status [3] | Definition                                                                            |
|--------------------------------|--------------------|---------------------------------------------------------------------------------------|
| Objective [short] data sheet   | Development        | This document contains data from the objective specification for product development. |
| Preliminary [short] data sheet | Qualification      | This document contains data from the preliminary specification.                       |
| Product [short] data sheet     | Production         | This document contains the product specification.                                     |

- [1] Please consult the most recently issued document before initiating or completing a design.
- [2] The term 'short data sheet' is explained in section "Definitions".
- [3] The product status of device(s) described in this document may have changed since this document was published and may differ in case of multiple devices. The latest product status information is available on the internet at <https://www.nexperia.com>.

### Definitions

**Draft** — The document is a draft version only. The content is still under internal review and subject to formal approval, which may result in modifications or additions. Nexperia does not give any representations or warranties as to the accuracy or completeness of information included herein and shall have no liability for the consequences of use of such information.

**Short data sheet** — A short data sheet is an extract from a full data sheet with the same product type number(s) and title. A short data sheet is intended for quick reference only and should not be relied upon to contain detailed and full information. For detailed and full information see the relevant full data sheet, which is available on request via the local Nexperia sales office. In case of any inconsistency or conflict with the short data sheet, the full data sheet shall prevail.

**Product specification** — The information and data provided in a Product data sheet shall define the specification of the product as agreed between Nexperia and its customer, unless Nexperia and customer have explicitly agreed otherwise in writing. In no event however, shall an agreement be valid in which the Nexperia product is deemed to offer functions and qualities beyond those described in the Product data sheet.

### Disclaimers

**Limited warranty and liability** — Information in this document is believed to be accurate and reliable. However, Nexperia does not give any representations or warranties, expressed or implied, as to the accuracy or completeness of such information and shall have no liability for the consequences of use of such information. Nexperia takes no responsibility for the content in this document if provided by an information source outside of Nexperia.

In no event shall Nexperia be liable for any indirect, incidental, punitive, special or consequential damages (including - without limitation - lost profits, lost savings, business interruption, costs related to the removal or replacement of any products or rework charges) whether or not such damages are based on tort (including negligence), warranty, breach of contract or any other legal theory.

Notwithstanding any damages that customer might incur for any reason whatsoever, Nexperia's aggregate and cumulative liability towards customer for the products described herein shall be limited in accordance with the Terms and conditions of commercial sale of Nexperia.

**Right to make changes** — Nexperia reserves the right to make changes to information published in this document, including without limitation specifications and product descriptions, at any time and without notice. This document supersedes and replaces all information supplied prior to the publication hereof.

**Suitability for use** — Nexperia products are not designed, authorized or warranted to be suitable for use in life support, life-critical or safety-critical systems or equipment, nor in applications where failure or malfunction of an Nexperia product can reasonably be expected to result in personal

injury, death or severe property or environmental damage. Nexperia and its suppliers accept no liability for inclusion and/or use of Nexperia products in such equipment or applications and therefore such inclusion and/or use is at the customer's own risk.

**Quick reference data** — The Quick reference data is an extract of the product data given in the Limiting values and Characteristics sections of this document, and as such is not complete, exhaustive or legally binding.

**Applications** — Applications that are described herein for any of these products are for illustrative purposes only. Nexperia makes no representation or warranty that such applications will be suitable for the specified use without further testing or modification.

Customers are responsible for the design and operation of their applications and products using Nexperia products, and Nexperia accepts no liability for any assistance with applications or customer product design. It is customer's sole responsibility to determine whether the Nexperia product is suitable and fit for the customer's applications and products planned, as well as for the planned application and use of customer's third party customer(s). Customers should provide appropriate design and operating safeguards to minimize the risks associated with their applications and products.

Nexperia does not accept any liability related to any default, damage, costs or problem which is based on any weakness or default in the customer's applications or products, or the application or use by customer's third party customer(s). Customer is responsible for doing all necessary testing for the customer's applications and products using Nexperia products in order to avoid a default of the applications and the products or of the application or use by customer's third party customer(s). Nexperia does not accept any liability in this respect.

**Limiting values** — Stress above one or more limiting values (as defined in the Absolute Maximum Ratings System of IEC 60134) will cause permanent damage to the device. Limiting values are stress ratings only and (proper) operation of the device at these or any other conditions above those given in the Recommended operating conditions section (if present) or the Characteristics sections of this document is not warranted. Constant or repeated exposure to limiting values will permanently and irreversibly affect the quality and reliability of the device.

**Terms and conditions of commercial sale** — Nexperia products are sold subject to the general terms and conditions of commercial sale, as published at <http://www.nexperia.com/profile/terms>, unless otherwise agreed in a valid written individual agreement. In case an individual agreement is concluded only the terms and conditions of the respective agreement shall apply. Nexperia hereby expressly objects to applying the customer's general terms and conditions with regard to the purchase of Nexperia products by customer.

**No offer to sell or license** — Nothing in this document may be interpreted or construed as an offer to sell products that is open for acceptance or the grant, conveyance or implication of any license under any copyrights, patents or other industrial or intellectual property rights.

**Export control** — This document as well as the item(s) described herein may be subject to export control regulations. Export might require a prior authorization from competent authorities.

**Non-automotive qualified products** — Unless this data sheet expressly states that this specific Nexperia product is automotive qualified, the product is not suitable for automotive use. It is neither qualified nor tested in accordance with automotive testing or application requirements. Nexperia accepts no liability for inclusion and/or use of non-automotive qualified products in automotive equipment or applications.

In the event that customer uses the product for design-in and use in automotive applications to automotive specifications and standards, customer (a) shall use the product without Nexperia's warranty of the product for such automotive applications, use and specifications, and (b) whenever customer uses the product for automotive applications beyond Nexperia's specifications such use shall be solely at customer's own risk, and (c) customer fully indemnifies Nexperia for any liability, damages or failed product claims resulting from customer design and use of the product for automotive applications beyond Nexperia's standard warranty and Nexperia's product specifications.

**Translations** — A non-English (translated) version of a document is for reference only. The English version shall prevail in case of any discrepancy between the translated and English versions.

### Trademarks

Notice: All referenced brands, product names, service names and trademarks are the property of their respective owners.

## Contents

---

|                                                  |           |
|--------------------------------------------------|-----------|
| <b>1. General description</b> .....              | <b>1</b>  |
| <b>2. Features and benefits</b> .....            | <b>1</b>  |
| <b>3. Ordering information</b> .....             | <b>2</b>  |
| <b>4. Functional diagram</b> .....               | <b>2</b>  |
| <b>5. Pinning information</b> .....              | <b>3</b>  |
| 5.1. Pinning.....                                | 3         |
| 5.2. Pin description.....                        | 3         |
| <b>6. Functional description</b> .....           | <b>4</b>  |
| <b>7. Limiting values</b> .....                  | <b>4</b>  |
| <b>8. Recommended operating conditions</b> ..... | <b>4</b>  |
| <b>9. Static characteristics</b> .....           | <b>5</b>  |
| <b>10. Dynamic characteristics</b> .....         | <b>6</b>  |
| 10.1. Waveforms and test circuit.....            | 7         |
| <b>11. Package outline</b> .....                 | <b>9</b>  |
| <b>12. Abbreviations</b> .....                   | <b>12</b> |
| <b>13. Revision history</b> .....                | <b>12</b> |
| <b>14. Legal information</b> .....               | <b>13</b> |

---

© Nexperia B.V. 2019. All rights reserved

For more information, please visit: <http://www.nexperia.com>  
For sales office addresses, please send an email to: [salesaddresses@nexperia.com](mailto:salesaddresses@nexperia.com)  
Date of release: 15 February 2019

---



## Стандарт Электрон Связь

Мы молодая и активно развивающаяся компания в области поставок электронных компонентов. Мы поставляем электронные компоненты отечественного и импортного производства напрямую от производителей и с крупнейших складов мира.

Благодаря сотрудничеству с мировыми поставщиками мы осуществляем комплексные и плановые поставки широчайшего спектра электронных компонентов.

Собственная эффективная логистика и склад в обеспечивает надежную поставку продукции в точно указанные сроки по всей России.

Мы осуществляем техническую поддержку нашим клиентам и предпродажную проверку качества продукции. На все поставляемые продукты мы предоставляем гарантию .

Осуществляем поставки продукции под контролем ВП МО РФ на предприятия военно-промышленного комплекса России , а также работаем в рамках 275 ФЗ с открытием отдельных счетов в уполномоченном банке. Система менеджмента качества компании соответствует требованиям ГОСТ ISO 9001.

Минимальные сроки поставки, гибкие цены, неограниченный ассортимент и индивидуальный подход к клиентам являются основой для выстраивания долгосрочного и эффективного сотрудничества с предприятиями радиоэлектронной промышленности, предприятиями ВПК и научно-исследовательскими институтами России.

С нами вы становитесь еще успешнее!

### Наши контакты:

**Телефон:** +7 812 627 14 35

**Электронная почта:** [sales@st-electron.ru](mailto:sales@st-electron.ru)

**Адрес:** 198099, Санкт-Петербург,  
Промышленная ул, дом № 19, литера Н,  
помещение 100-Н Офис 331