

# 74HC193; 74HCT193

Presettable synchronous 4-bit binary up/down counter

Rev. 03 — 23 May 2007

Product data sheet

## 1. General description

The 74HC193 and 74HCT193 are high-speed Si-gate CMOS devices and are pin compatible with Low power Schottky TTL (LSTTL). They are specified in compliance with JEDEC standard no. 7A.

The 74HC193 and 74HCT193 are 4-bit synchronous binary up/down counters. Separate up/down clocks, CPU and CPD respectively, simplify operation. The outputs change state synchronously with the LOW-to-HIGH transition of either clock input. If the CPU clock is pulsed while CPD is held HIGH, the device will count up. If the CPD clock is pulsed while CPU is held HIGH, the device will count down. Only one clock input can be held HIGH at any time, or erroneous operation will result. The device can be cleared at any time by the asynchronous master reset input (MR); it may also be loaded in parallel by activating the asynchronous parallel load input ( $\overline{PL}$ ).

The 74HC193 and 74HCT193 each contain four master-slave JK flip-flops with the necessary steering logic to provide the asynchronous reset, load, and synchronous count up and count down functions.

Each flip-flop contains JK feedback from slave to master, such that a LOW-to-HIGH transition on the CPD input will decrease the count by one, while a similar transition on the CPU input will advance the count by one.

One clock should be held HIGH while counting with the other, otherwise the circuit will either count by twos or not at all, depending on the state of the first flip-flop, which cannot toggle as long as either clock input is LOW. Applications requiring reversible operation must make the reversing decision while the activating clock is HIGH to avoid erroneous counts.

The terminal count up ( $\overline{TCU}$ ) and terminal count down ( $\overline{TCD}$ ) outputs are normally HIGH. When the circuit has reached the maximum count state of 15, the next HIGH-to-LOW transition of CPU will cause  $\overline{TCU}$  to go LOW.

$\overline{TCU}$  will stay LOW until CPU goes HIGH again, duplicating the count up clock.

Likewise, the  $\overline{TCD}$  output will go LOW when the circuit is in the zero state and the CPD goes LOW. The terminal count outputs can be used as the clock input signals to the next higher order circuit in a multistage counter, since they duplicate the clock waveforms. Multistage counters will not be fully synchronous, since there is a slight delay time difference added for each stage that is added.

The counter may be preset by the asynchronous parallel load capability of the circuit. Information present on the parallel data inputs (D0 to D3) is loaded into the counter and appears on the outputs (Q0 to Q3) regardless of the conditions of the clock inputs when the parallel load ( $\overline{PL}$ ) input is LOW. A HIGH level on the master reset (MR) input will disable the parallel load gates, override both clock inputs and set all outputs (Q0 to

Q3) LOW. If one of the clock inputs is LOW during and after a reset or load operation, the next LOW-to-HIGH transition of that clock will be interpreted as a legitimate signal and will be counted.

## 2. Features

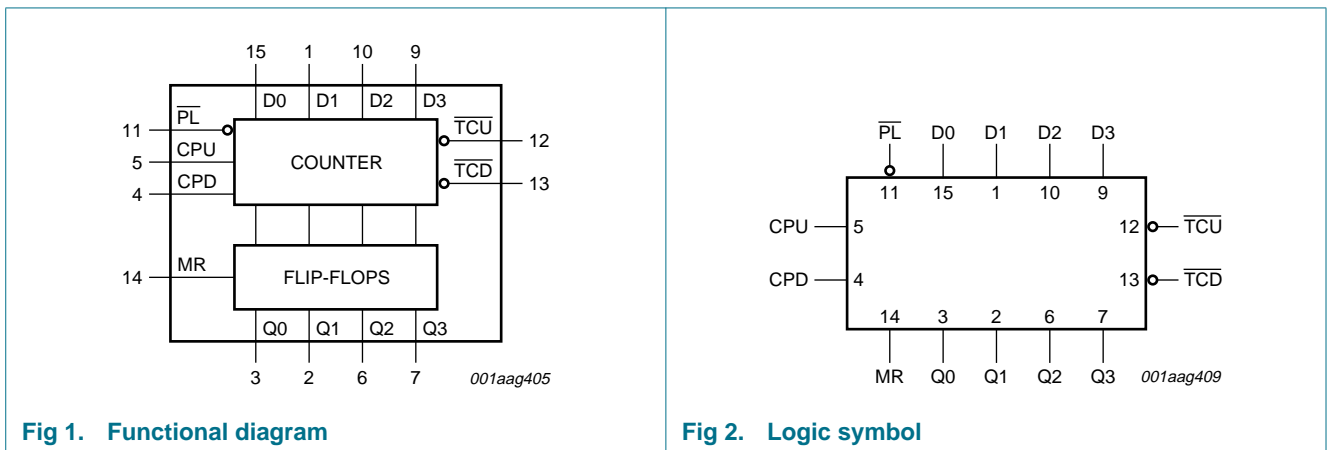
- Synchronous reversible 4-bit binary counting
- Asynchronous parallel load
- Asynchronous reset
- Expandable without external logic

## 3. Ordering information

Table 1. Ordering information

Type number	Package			Version
	Temperature range	Name	Description	
74HC193D	-40 °C to +125 °C	SO16	plastic small outline package; 16 leads; body width 3.9 mm	SOT109-1
74HC193DB	-40 °C to +125 °C	SSOP16	plastic shrink small outline package; 16 leads; body width 5.3 mm	SOT338-1
74HC193N	-40 °C to +125 °C	DIP16	plastic dual in-line package; 16 leads (300 mil)	SOT38-4
74HC193PW	-40 °C to +125 °C	TSSOP16	plastic thin shrink small outline package; 16 leads; body width 4.4 mm	SOT403-1
74HCT193D	-40 °C to +125 °C	SO16	plastic small outline package; 16 leads; body width 3.9 mm	SOT109-1
74HCT193DB	-40 °C to +125 °C	SSOP16	plastic shrink small outline package; 16 leads; body width 5.3 mm	SOT338-1
74HCT193N	-40 °C to +125 °C	DIP16	plastic dual in-line package; 16 leads (300 mil)	SOT38-4
74HCT193PW	-40 °C to +125 °C	TSSOP16	plastic thin shrink small outline package; 16 leads; body width 4.4 mm	SOT403-1

## 4. Functional diagram



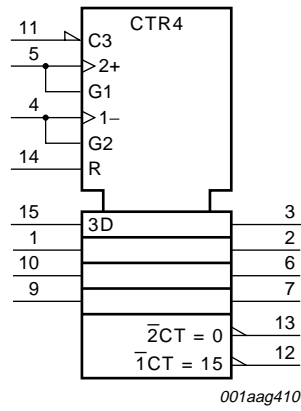
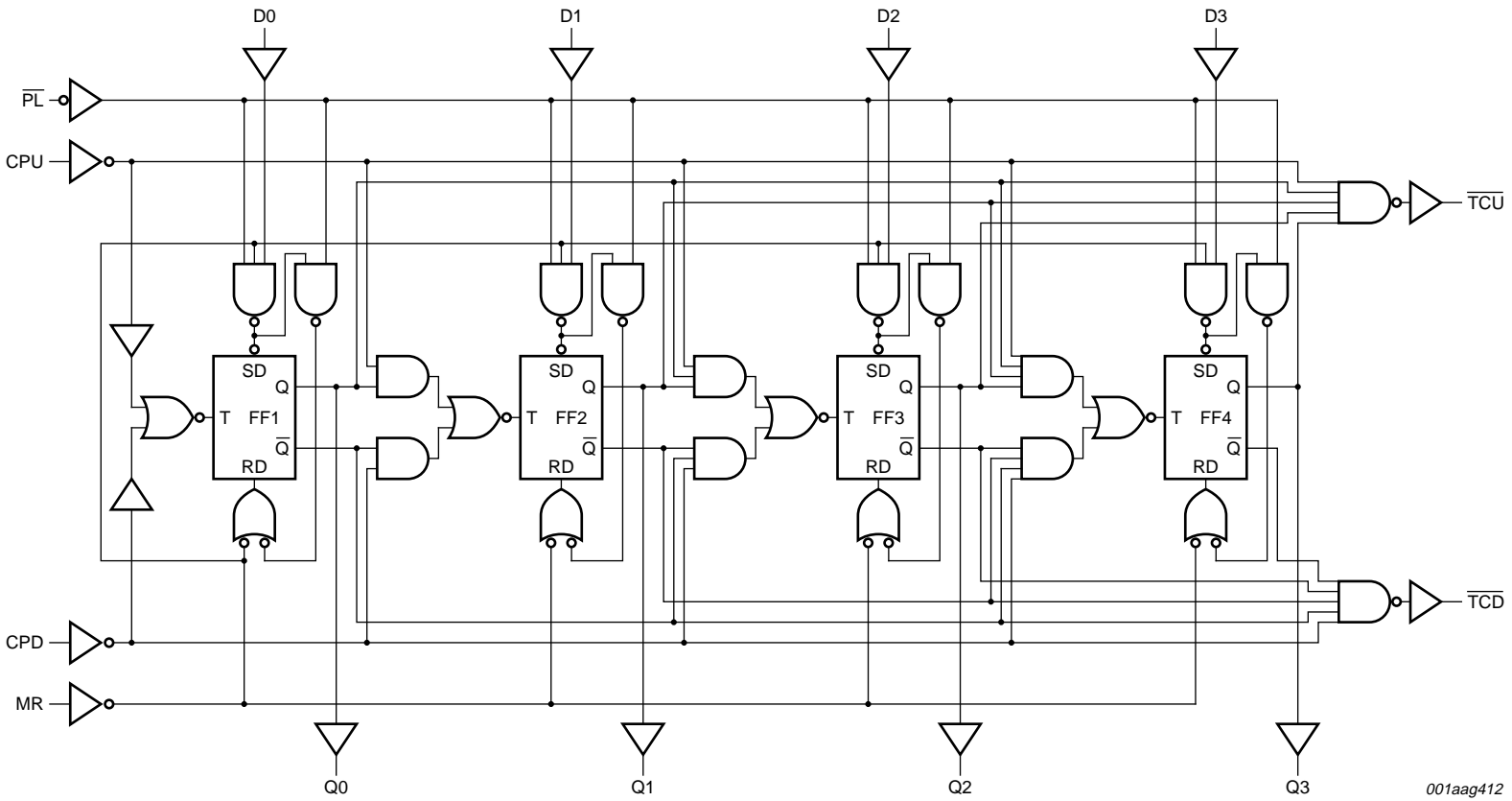


Fig 3. IEC logic symbol

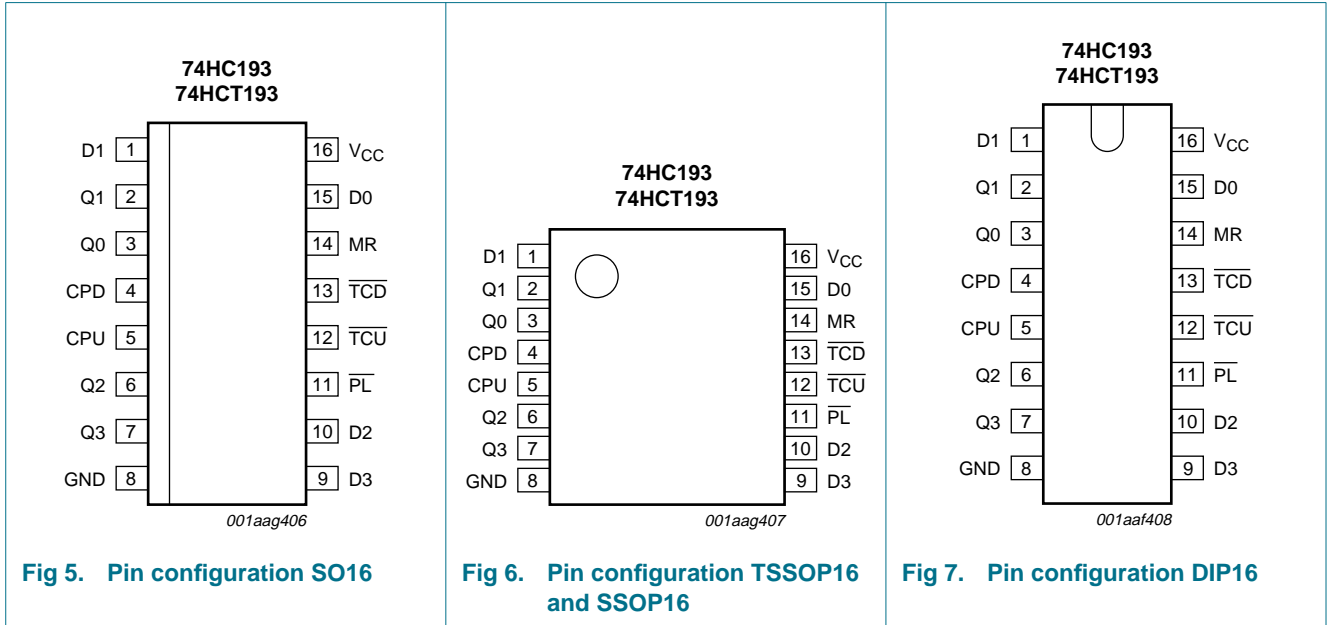


001aag412

Fig 4. Logic diagram

## 5. Pinning information

### 5.1 Pinning



### 5.2 Pin description

Table 2. Pin description

Symbol	Pin	Description
D0	15	data input 0
D1	1	data input 1
D2	10	data input 2
D3	9	data input 3
Q0	3	flip-flop output 0
Q1	2	flip-flop output 1
Q2	6	flip-flop output 2
Q3	7	flip-flop output 3
CPD	4	count down clock input <sup>[1]</sup>
CPU	5	count up clock input <sup>[1]</sup>
GND	8	ground (0 V)
PL	11	asynchronous parallel load input (active LOW)
TCU	12	terminal count up (carry) output (active LOW)
TCD	13	terminal count down (borrow) output (active LOW)
MR	14	asynchronous master reset input (active HIGH)
VCC	16	supply voltage

[1] LOW-to-HIGH, edge triggered.

## 6. Functional description

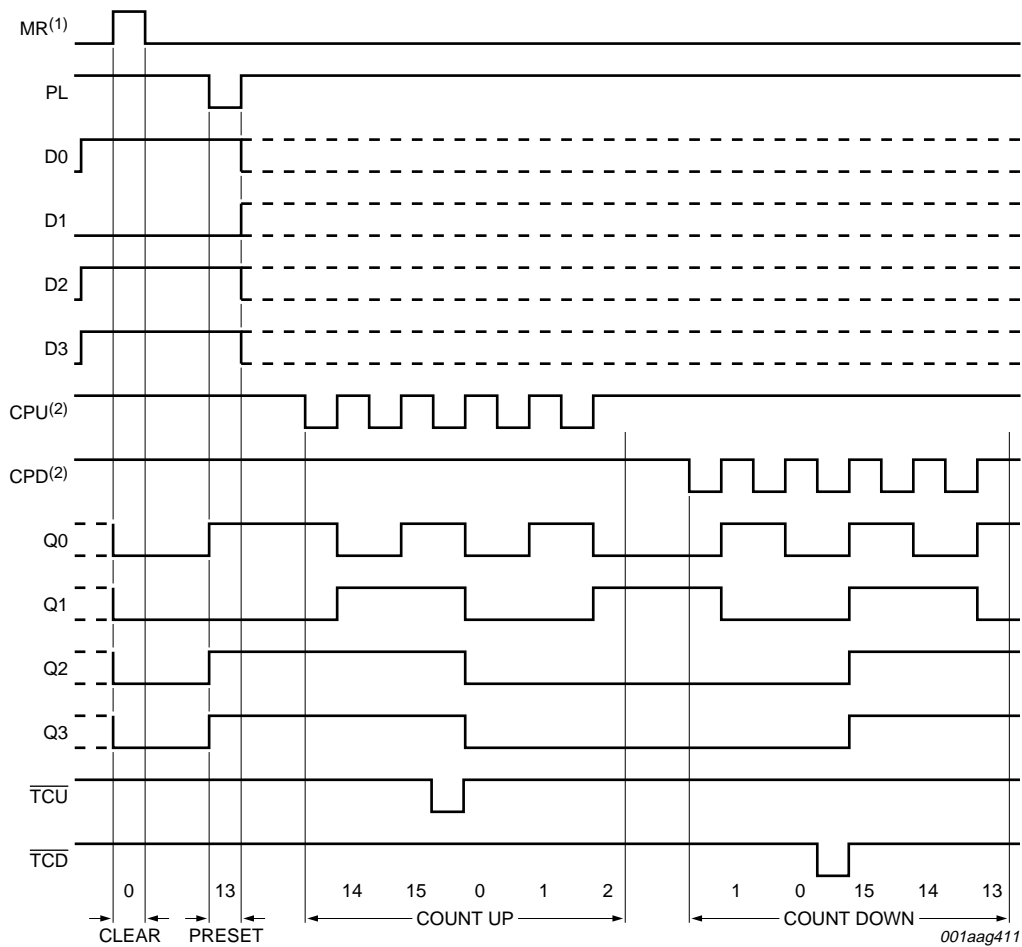
Table 3. Function table<sup>[1]</sup>

Operating mode	Inputs								Outputs					
	MR	$\overline{PL}$	CPU	CPD	D0	D1	D2	D3	Q0	Q1	Q2	Q3	$\overline{TCU}$	$\overline{TCD}$
Reset (clear)	H	X	X	L	X	X	X	X	L	L	L	L	H	L
	H	X	X	H	X	X	X	X	L	L	L	L	H	H
Parallel load	L	L	X	L	L	L	L	L	L	L	L	L	H	L
	L	L	X	H	L	L	L	L	L	L	L	L	H	H
	L	L	L	X	H	H	H	H	H	H	H	H	L	H
	L	L	H	X	H	H	H	H	H	H	H	H	H	H
Count up	L	H	↑	H	X	X	X	X	count up				H <sup>[2]</sup>	H
Count down	L	H	H	↑	X	X	X	X	count down				H	H <sup>[3]</sup>

[1] H = HIGH voltage level  
 L = LOW voltage level  
 X = don't care  
 ↑ = LOW-to-HIGH clock transition.

[2]  $\overline{TCU}$  = CPU at terminal count up (HHHH)

[3]  $\overline{TCD}$  = CPD at terminal count down (LLLL).



- (1) Clear overrides load, data and count inputs.
- (2) When counting up, the count down clock input (CPD) must be HIGH, when counting down the count up clock input (CPU) must be HIGH.

**Sequence**

Clear (reset outputs to zero);  
 load (preset) to binary thirteen;  
 count up to fourteen, fifteen, terminal count up, zero, one and two;  
 count down to one, zero, terminal count down, fifteen, fourteen and thirteen.

**Fig 8. Typical clear, load and count sequence**

## 7. Limiting values

**Table 4. Limiting values**

In accordance with the Absolute Maximum Rating System (IEC 60134). Voltages are referenced to GND (ground = 0 V).

Symbol	Parameter	Conditions	Min	Max	Unit
$V_{CC}$	supply voltage		-0.5	+7.0	V
$I_{IK}$	input clamping current	$V_I < -0.5\text{ V}$ or $V_I > V_{CC} + 0.5\text{ V}$	[1] -	±20	mA
$I_{OK}$	output clamping current	$V_O < -0.5\text{ V}$ or $V_O > V_{CC} + 0.5\text{ V}$	[1] -	±20	mA
$I_O$	output current	$V_O = -0.5\text{ V}$ to $V_{CC} + 0.5\text{ V}$	-	±25	mA
$I_{CC}$	supply current		-	50	mA
$I_{GND}$	ground current		-	-50	mA
$T_{stg}$	storage temperature		-65	+150	°C
$P_{tot}$	total power dissipation	DIP16 package	[2] -	750	mW
		SO16 package	[2] -	500	mW
		SSOP16 package	[2] -	500	mW
		TSSOP16 package	[2] -	500	mW

[1] The input and output voltage ratings may be exceeded if the input and output current ratings are observed.

[2] For DIP16 packages: above 70 °C the value of  $P_{tot}$  derates linearly at 12 mW/K.

For SO16 packages: above 70 °C the value of  $P_{tot}$  derates linearly at 8 mW/K.

For SSOP16 and TSSOP16 packages: above 60 °C the value of  $P_{tot}$  derates linearly at 5.5 mW/K.

## 8. Recommended operating conditions

**Table 5. Recommended operating conditions**

Symbol	Parameter	Conditions	Min	Typ	Max	Unit
<b>74HC193</b>						
$V_{CC}$	supply voltage		2.0	5.0	6.0	V
$V_I$	input voltage		0	-	$V_{CC}$	V
$V_O$	output voltage		0	-	$V_{CC}$	V
$T_{amb}$	ambient temperature		-40	+25	+125	°C
$t_r$	rise time	inputs				
		$V_{CC} = 2.0\text{ V}$	-	-	1000	ns
		$V_{CC} = 4.5\text{ V}$	-	6.0	500	ns
		$V_{CC} = 6.0\text{ V}$	-	-	400	ns
$t_f$	fall time	inputs				
		$V_{CC} = 2.0\text{ V}$	-	-	1000	ns
		$V_{CC} = 4.5\text{ V}$	-	6.0	500	ns
		$V_{CC} = 6.0\text{ V}$	-	-	400	ns



**Table 5. Recommended operating conditions ...continued**

Symbol	Parameter	Conditions	Min	Typ	Max	Unit
<b>74HCT193</b>						
V <sub>CC</sub>	supply voltage		4.5	5.0	5.5	V
V <sub>I</sub>	input voltage		0	-	V <sub>CC</sub>	V
V <sub>O</sub>	output voltage		0	-	V <sub>CC</sub>	V
T <sub>amb</sub>	ambient temperature		-40	+25	+125	°C
t <sub>r</sub>	rise time	inputs; V <sub>CC</sub> = 4.5 V	-	6.0	500	ns
t <sub>f</sub>	fall time	inputs; V <sub>CC</sub> = 4.5 V	-	6.0	500	ns

## 9. Static characteristics

**Table 6. Static characteristics type 74HC193**

At recommended operating conditions; voltages are referenced to GND (ground = 0 V).

Symbol	Parameter	Conditions	Min	Typ	Max	Unit
<b>T<sub>amb</sub> = 25 °C</b>						
V <sub>IH</sub>	HIGH-level input voltage	V <sub>CC</sub> = 2.0 V	1.5	1.2	-	V
		V <sub>CC</sub> = 4.5 V	3.15	2.4	-	V
		V <sub>CC</sub> = 6.0 V	4.2	3.2	-	V
V <sub>IL</sub>	LOW-level input voltage	V <sub>CC</sub> = 2.0 V	-	0.8	0.5	V
		V <sub>CC</sub> = 4.5 V	-	2.1	1.35	V
		V <sub>CC</sub> = 6.0 V	-	2.8	1.8	V
V <sub>OH</sub>	HIGH-level output voltage	V <sub>I</sub> = V <sub>IH</sub> or V <sub>IL</sub>	-	-	-	
		I <sub>O</sub> = -20 µA; V <sub>CC</sub> = 2.0 V	1.9	2.0	-	V
		I <sub>O</sub> = -20 µA; V <sub>CC</sub> = 4.5 V	4.4	4.5	-	V
		I <sub>O</sub> = -20 µA; V <sub>CC</sub> = 6.0 V	5.9	6.0	-	V
		I <sub>O</sub> = -4.0 mA; V <sub>CC</sub> = 4.5 V	3.98	4.32	-	V
V <sub>OL</sub>	LOW-level output voltage	V <sub>I</sub> = V <sub>IH</sub> or V <sub>IL</sub>	-	-	-	
		I <sub>O</sub> = 20 µA; V <sub>CC</sub> = 2.0 V	-	0	0.1	V
		I <sub>O</sub> = 20 µA; V <sub>CC</sub> = 4.5 V	-	0	0.1	V
		I <sub>O</sub> = 20 µA; V <sub>CC</sub> = 6.0 V	-	0	0.1	V
		I <sub>O</sub> = 4.0 mA; V <sub>CC</sub> = 4.5 V	-	0.15	0.26	V
I <sub>I</sub>	input leakage current	V <sub>I</sub> = V <sub>CC</sub> or GND; V <sub>CC</sub> = 6.0 V	-	-	±0.1	µA
		V <sub>I</sub> = V <sub>CC</sub> or GND; I <sub>O</sub> = 0 A; V <sub>CC</sub> = 6.0 V	-	-	8.0	µA
C <sub>i</sub>	input capacitance		-	3.5	-	pF
<b>T<sub>amb</sub> = -40 °C to +85 °C</b>						
V <sub>IH</sub>	HIGH-level input voltage	V <sub>CC</sub> = 2.0 V	1.5	-	-	V
		V <sub>CC</sub> = 4.5 V	3.15	-	-	V
		V <sub>CC</sub> = 6.0 V	4.2	-	-	V

**Table 6. Static characteristics type 74HC193 ...continued**  
 At recommended operating conditions; voltages are referenced to GND (ground = 0 V).

Symbol	Parameter	Conditions	Min	Typ	Max	Unit
V <sub>IL</sub>	LOW-level input voltage	V <sub>CC</sub> = 2.0 V	-	-	0.5	V
		V <sub>CC</sub> = 4.5 V	-	-	1.35	V
		V <sub>CC</sub> = 6.0 V	-	-	1.8	V
V <sub>OH</sub>	HIGH-level output voltage	V <sub>I</sub> = V <sub>IH</sub> or V <sub>IL</sub>				
		I <sub>O</sub> = -20 μA; V <sub>CC</sub> = 2.0 V	1.9	-	-	V
		I <sub>O</sub> = -20 μA; V <sub>CC</sub> = 4.5 V	4.4	-	-	V
		I <sub>O</sub> = -20 μA; V <sub>CC</sub> = 6.0 V	5.9	-	-	V
		I <sub>O</sub> = -4.0 mA; V <sub>CC</sub> = 4.5 V	3.84	-	-	V
		I <sub>O</sub> = -5.2 mA; V <sub>CC</sub> = 6.0 V	5.34	-	-	V
V <sub>OL</sub>	LOW-level output voltage	V <sub>I</sub> = V <sub>IH</sub> or V <sub>IL</sub>				
		I <sub>O</sub> = 20 μA; V <sub>CC</sub> = 2.0 V	-	-	0.1	V
		I <sub>O</sub> = 20 μA; V <sub>CC</sub> = 4.5 V	-	-	0.1	V
		I <sub>O</sub> = 20 μA; V <sub>CC</sub> = 6.0 V	-	-	0.1	V
		I <sub>O</sub> = 4.0 mA; V <sub>CC</sub> = 4.5 V	-	-	0.33	V
		I <sub>O</sub> = 5.2 mA; V <sub>CC</sub> = 6.0 V	-	-	0.33	V
I <sub>I</sub>	input leakage current	V <sub>I</sub> = V <sub>CC</sub> or GND; V <sub>CC</sub> = 6.0 V	-	-	±1.0	μA
I <sub>CC</sub>	supply current	V <sub>I</sub> = V <sub>CC</sub> or GND; I <sub>O</sub> = 0 A; V <sub>CC</sub> = 6.0 V	-	-	80	μA
<b>T<sub>amb</sub> = -40 °C to +125 °C</b>						
V <sub>IH</sub>	HIGH-level input voltage	V <sub>CC</sub> = 2.0 V	1.5	-	-	V
		V <sub>CC</sub> = 4.5 V	3.15	-	-	V
		V <sub>CC</sub> = 6.0 V	4.2	-	-	V
V <sub>IL</sub>	LOW-level input voltage	V <sub>CC</sub> = 2.0 V	-	-	0.5	V
		V <sub>CC</sub> = 4.5 V	-	-	1.35	V
		V <sub>CC</sub> = 6.0 V	-	-	1.8	V
V <sub>OH</sub>	HIGH-level output voltage	V <sub>I</sub> = V <sub>IH</sub> or V <sub>IL</sub>				
		I <sub>O</sub> = -20 μA; V <sub>CC</sub> = 2.0 V	1.9	-	-	V
		I <sub>O</sub> = -20 μA; V <sub>CC</sub> = 4.5 V	4.4	-	-	V
		I <sub>O</sub> = -20 μA; V <sub>CC</sub> = 6.0 V	5.9	-	-	V
		I <sub>O</sub> = -4.0 mA; V <sub>CC</sub> = 4.5 V	3.7	-	-	V
		I <sub>O</sub> = -5.2 mA; V <sub>CC</sub> = 6.0 V	5.2	-	-	V
V <sub>OL</sub>	LOW-level output voltage	V <sub>I</sub> = V <sub>IH</sub> or V <sub>IL</sub>				
		I <sub>O</sub> = 20 μA; V <sub>CC</sub> = 2.0 V	-	-	0.1	V
		I <sub>O</sub> = 20 μA; V <sub>CC</sub> = 4.5 V	-	-	0.1	V
		I <sub>O</sub> = 20 μA; V <sub>CC</sub> = 6.0 V	-	-	0.1	V
		I <sub>O</sub> = 4.0 mA; V <sub>CC</sub> = 4.5 V	-	-	0.4	V
		I <sub>O</sub> = 5.2 mA; V <sub>CC</sub> = 6.0 V	-	-	0.4	V
I <sub>I</sub>	input leakage current	V <sub>I</sub> = V <sub>CC</sub> or GND; V <sub>CC</sub> = 6.0 V	-	-	±1.0	μA
I <sub>CC</sub>	supply current	V <sub>I</sub> = V <sub>CC</sub> or GND; I <sub>O</sub> = 0 A; V <sub>CC</sub> = 6.0 V	-	-	160	μA

**Table 7. Static characteristics type 74HCT193**

At recommended operating conditions; voltages are referenced to GND (ground = 0 V).

Symbol	Parameter	Conditions	Min	Typ	Max	Unit
<b>T<sub>amb</sub> = 25 °C</b>						
V <sub>IH</sub>	HIGH-level input voltage	V <sub>CC</sub> = 4.5 V to 5.5 V	2.0	1.6	-	V
V <sub>IL</sub>	LOW-level input voltage	V <sub>CC</sub> = 4.5 V to 5.5 V	-	1.2	0.8	V
V <sub>OH</sub>	HIGH-level output voltage	V <sub>I</sub> = V <sub>IH</sub> or V <sub>IL</sub> ; V <sub>CC</sub> = 4.5 V				
		I <sub>O</sub> = -20 µA	4.4	4.5	-	V
		I <sub>O</sub> = -4.0 mA	3.98	4.32	-	V
V <sub>OL</sub>	LOW-level output voltage	V <sub>I</sub> = V <sub>IH</sub> or V <sub>IL</sub> ; V <sub>CC</sub> = 4.5 V				
		I <sub>O</sub> = 20 µA	-	0	0.1	V
		I <sub>O</sub> = 4.0 mA	-	0.15	0.26	V
I <sub>I</sub>	input leakage current	V <sub>I</sub> = V <sub>CC</sub> or GND; V <sub>CC</sub> = 5.5 V	-	-	±0.1	µA
I <sub>CC</sub>	supply current	V <sub>I</sub> = V <sub>CC</sub> or GND; I <sub>O</sub> = 0 A; V <sub>CC</sub> = 5.5 V	-	-	8.0	µA
ΔI <sub>CC</sub>	additional supply current	per input pin; V <sub>I</sub> = V <sub>CC</sub> - 2.1 V and other inputs at V <sub>CC</sub> or GND; I <sub>O</sub> = 0 A; V <sub>CC</sub> = 4.5 V to 5.5 V				
		pin Dn	-	35	126	µA
		pins CPU, CPD	-	140	504	µA
		pin $\overline{PL}$	-	65	234	µA
		pin MR	-	105	378	µA
C <sub>i</sub>	input capacitance		-	3.5	-	pF
<b>T<sub>amb</sub> = -40 °C to +85 °C</b>						
V <sub>IH</sub>	HIGH-level input voltage	V <sub>CC</sub> = 4.5 V to 5.5 V	2.0	-	-	V
V <sub>IL</sub>	LOW-level input voltage	V <sub>CC</sub> = 4.5 V to 5.5 V	-	-	0.8	V
V <sub>OH</sub>	HIGH-level output voltage	V <sub>I</sub> = V <sub>IH</sub> or V <sub>IL</sub> ; V <sub>CC</sub> = 4.5 V				
		I <sub>O</sub> = -20 µA	4.4	-	-	V
		I <sub>O</sub> = -4.0 mA	3.84	-	-	V
V <sub>OL</sub>	LOW-level output voltage	V <sub>I</sub> = V <sub>IH</sub> or V <sub>IL</sub> ; V <sub>CC</sub> = 4.5 V				
		I <sub>O</sub> = 20 µA	-	-	0.1	V
		I <sub>O</sub> = 4.0 mA	-	-	0.33	V
I <sub>I</sub>	input leakage current	V <sub>I</sub> = V <sub>CC</sub> or GND; V <sub>CC</sub> = 5.5 V	-	-	±1.0	µA
I <sub>CC</sub>	supply current	V <sub>I</sub> = V <sub>CC</sub> or GND; I <sub>O</sub> = 0 A; V <sub>CC</sub> = 5.5 V	-	-	80	µA
ΔI <sub>CC</sub>	additional supply current	per input pin; V <sub>I</sub> = V <sub>CC</sub> - 2.1 V and other inputs at V <sub>CC</sub> or GND; I <sub>O</sub> = 0 A; V <sub>CC</sub> = 4.5 V to 5.5 V				
		pin Dn	-	-	157.5	µA
		pins CPU, CPD	-	-	630	µA
		pin $\overline{PL}$	-	-	292.5	µA
		pin MR	-	-	472.5	µA
<b>T<sub>amb</sub> = -40 °C to +125 °C</b>						
V <sub>IH</sub>	HIGH-level input voltage	V <sub>CC</sub> = 4.5 V to 5.5 V	2.0	-	-	V
V <sub>IL</sub>	LOW-level input voltage	V <sub>CC</sub> = 4.5 V to 5.5 V	-	-	0.8	V

**Table 7. Static characteristics type 74HCT193 ...continued**

At recommended operating conditions; voltages are referenced to GND (ground = 0 V).

Symbol	Parameter	Conditions	Min	Typ	Max	Unit
V <sub>OH</sub>	HIGH-level output voltage	V <sub>I</sub> = V <sub>IH</sub> or V <sub>IL</sub> ; V <sub>CC</sub> = 4.5 V				
		I <sub>O</sub> = -20 μA	4.4	-	-	V
		I <sub>O</sub> = -4.0 mA	3.7	-	-	V
V <sub>OL</sub>	LOW-level output voltage	V <sub>I</sub> = V <sub>IH</sub> or V <sub>IL</sub> ; V <sub>CC</sub> = 4.5 V				
		I <sub>O</sub> = 20 μA	-	-	0.1	V
		I <sub>O</sub> = 4.0 mA	-	-	0.4	V
I <sub>I</sub>	input leakage current	V <sub>I</sub> = V <sub>CC</sub> or GND; V <sub>CC</sub> = 5.5 V	-	-	±1.0	μA
I <sub>CC</sub>	supply current	V <sub>I</sub> = V <sub>CC</sub> or GND; I <sub>O</sub> = 0 A; V <sub>CC</sub> = 5.5 V	-	-	160	μA
ΔI <sub>CC</sub>	additional supply current	per input pin; V <sub>I</sub> = V <sub>CC</sub> - 2.1 V and other inputs at V <sub>CC</sub> or GND; I <sub>O</sub> = 0 A; V <sub>CC</sub> = 4.5 V to 5.5 V				
		pin Dn	-	-	171.5	μA
		pins CPU, CPD	-	-	686	μA
		pin $\overline{PL}$	-	-	318.5	μA
		pin MR	-	-	514.5	μA

## 10. Dynamic characteristics

**Table 8. Dynamic characteristics type 74HC193**

Symbol	Parameter	Conditions	25 °C			-40 °C to +85 °C		-40 °C to +125 °C		Unit		
			Min	Typ	Max	Min	Max	Min	Max			
t <sub>pd</sub>	propagation delay	CPU, CPD to Qn; see <a href="#">Figure 9</a> <sup>[1]</sup>	-									
		V <sub>CC</sub> = 2.0 V	-	63	215	-	270	-	325	ns		
		V <sub>CC</sub> = 4.5 V	-	23	43	-	54	-	65	ns		
		V <sub>CC</sub> = 6.0 V	-	18	37	-	46	-	55	ns		
		CPU to $\overline{\text{TCU}}$ ; see <a href="#">Figure 10</a>										
		V <sub>CC</sub> = 2.0 V	-	39	125	-	155	-	190	ns		
		V <sub>CC</sub> = 4.5 V	-	14	25	-	31	-	38	ns		
		V <sub>CC</sub> = 6.0 V	-	11	21	-	26	-	32	ns		
		CPD to $\overline{\text{TCD}}$ ; see <a href="#">Figure 10</a>										
		V <sub>CC</sub> = 2.0 V	-	39	125	-	155	-	190	ns		
		V <sub>CC</sub> = 4.5 V	-	14	25	-	31	-	38	ns		
		V <sub>CC</sub> = 6.0 V	-	11	21	-	26	-	32	ns		
		$\overline{\text{PL}}$ to Qn; see <a href="#">Figure 11</a>										
		V <sub>CC</sub> = 2.0 V	-	69	220	-	275	-	330	ns		
		V <sub>CC</sub> = 4.5 V	-	25	44	-	55	-	66	ns		
		V <sub>CC</sub> = 6.0 V	-	20	37	-	47	-	56	ns		
		MR to Qn; see <a href="#">Figure 12</a>										
		V <sub>CC</sub> = 2.0 V	-	58	200	-	250	-	300	ns		
		V <sub>CC</sub> = 4.5 V	-	21	40	-	50	-	60	ns		
		V <sub>CC</sub> = 6.0 V	-	17	34	-	43	-	51	ns		
		Dn to Qn; see <a href="#">Figure 11</a>										
		V <sub>CC</sub> = 2.0 V	-	69	210	-	265	-	315	ns		
		V <sub>CC</sub> = 4.5 V	-	25	42	-	53	-	63	ns		
		V <sub>CC</sub> = 6.0 V	-	20	36	-	45	-	54	ns		
		$\overline{\text{PL}}$ to $\overline{\text{TCU}}$ , $\overline{\text{PL}}$ to $\overline{\text{TCD}}$ ; see <a href="#">Figure 14</a>										
		V <sub>CC</sub> = 2.0 V	-	80	290	-	365	-	435	ns		
		V <sub>CC</sub> = 4.5 V	-	29	58	-	73	-	87	ns		
		V <sub>CC</sub> = 6.0 V	-	23	49	-	62	-	74	ns		
MR to $\overline{\text{TCU}}$ , MR to $\overline{\text{TCD}}$ ; see <a href="#">Figure 14</a>												
V <sub>CC</sub> = 2.0 V	-	74	285	-	355	-	430	ns				
V <sub>CC</sub> = 4.5 V	-	27	57	-	71	-	86	ns				
V <sub>CC</sub> = 6.0 V	-	22	48	-	60	-	73	ns				

Table 8. Dynamic characteristics type 74HC193 ...continued

Symbol	Parameter	Conditions	25 °C			-40 °C to +85 °C		-40 °C to +125 °C		Unit
			Min	Typ	Max	Min	Max	Min	Max	
t <sub>pd</sub>	propagation delay	Dn to $\overline{\text{TCU}}$ , Dn to TCD; see <a href="#">Figure 14</a>								
		V <sub>CC</sub> = 2.0 V	-	80	290	-	365	-	435	ns
		V <sub>CC</sub> = 4.5 V	-	29	58	-	73	-	87	ns
		V <sub>CC</sub> = 6.0 V	-	23	49	-	62	-	74	ns
t <sub>THL</sub>	HIGH to LOW output transition time	see <a href="#">Figure 12</a>								
		V <sub>CC</sub> = 2.0 V	-	19	75	-	95	-	110	ns
		V <sub>CC</sub> = 4.5 V	-	7	15	-	19	-	22	ns
		V <sub>CC</sub> = 6.0 V	-	6	13	-	16	-	19	ns
t <sub>TLH</sub>	LOW to HIGH output transition time	see <a href="#">Figure 12</a>								
		V <sub>CC</sub> = 2.0 V	-	19	75	-	95	-	110	ns
		V <sub>CC</sub> = 4.5 V	-	7	15	-	19	-	22	ns
		V <sub>CC</sub> = 6.0 V	-	6	13	-	16	-	19	ns
t <sub>w</sub>	pulse width	CPU, CPD (HIGH or LOW); see <a href="#">Figure 9</a>								
		V <sub>CC</sub> = 2.0 V	100	22	-	125	-	150	-	ns
		V <sub>CC</sub> = 4.5 V	20	8	-	25	-	30	-	ns
		V <sub>CC</sub> = 6.0 V	17	6	-	21	-	26	-	ns
		MR (HIGH); see <a href="#">Figure 12</a>								
		V <sub>CC</sub> = 2.0 V	100	25	-	125	-	150	-	ns
		V <sub>CC</sub> = 4.5 V	20	9	-	25	-	30	-	ns
		V <sub>CC</sub> = 6.0 V	17	7	-	21	-	26	-	ns
		$\overline{\text{PL}}$ (LOW); see <a href="#">Figure 11</a>								
		V <sub>CC</sub> = 2.0 V	100	19	-	125	-	150	-	ns
		V <sub>CC</sub> = 4.5 V	20	7	-	25	-	30	-	ns
		V <sub>CC</sub> = 6.0 V	17	6	-	21	-	26	-	ns
t <sub>rec</sub>	recovery time	$\overline{\text{PL}}$ to CPU, CPD; see <a href="#">Figure 11</a>								
		V <sub>CC</sub> = 2.0 V	50	8	-	65	-	75	-	ns
		V <sub>CC</sub> = 4.5 V	10	3	-	13	-	15	-	ns
		V <sub>CC</sub> = 6.0 V	9	2	-	11	-	13	-	ns
		MR to CPU, CPD; see <a href="#">Figure 12</a>								
		V <sub>CC</sub> = 2.0 V	50	0	-	65	-	75	-	ns
		V <sub>CC</sub> = 4.5 V	10	0	-	13	-	15	-	ns
		V <sub>CC</sub> = 6.0 V	9	0	-	11	-	13	-	ns

**Table 8. Dynamic characteristics type 74HC193 ...continued**

Symbol	Parameter	Conditions	25 °C			-40 °C to +85 °C		-40 °C to +125 °C		Unit	
			Min	Typ	Max	Min	Max	Min	Max		
t <sub>su</sub>	set-up time	Dn to $\overline{PL}$ ; see <a href="#">Figure 13</a> ; note: CPU = CPD = HIGH	V <sub>CC</sub> = 2.0 V	80	22	-	100	-	120	-	ns
			V <sub>CC</sub> = 4.5 V	16	8	-	20	-	24	-	ns
			V <sub>CC</sub> = 6.0 V	14	6	-	17	-	20	-	ns
t <sub>h</sub>	hold time	Dn to $\overline{PL}$ ; see <a href="#">Figure 13</a>	V <sub>CC</sub> = 2.0 V	0	-14	-	0	-	0	-	ns
			V <sub>CC</sub> = 4.5 V	0	-5	-	0	-	0	-	ns
			V <sub>CC</sub> = 6.0 V	0	-4	-	0	-	0	-	ns
		CPU to CPD, CPD to CPU; see <a href="#">Figure 15</a>	V <sub>CC</sub> = 2.0 V	80	22	-	100	-	120	-	ns
			V <sub>CC</sub> = 4.5 V	16	8	-	20	-	24	-	ns
			V <sub>CC</sub> = 6.0 V	8	6	-	17	-	20	-	ns
f <sub>max</sub>	maximum frequency	CPU, CPD; see <a href="#">Figure 9</a>	V <sub>CC</sub> = 2.0 V	4.0	13.5	-	3.2	-	2.6	-	MHz
			V <sub>CC</sub> = 4.5 V	20	41	-	16	-	13	-	MHz
			V <sub>CC</sub> = 6.0 V	24	49	-	19	-	15	-	MHz
C <sub>PD</sub>	power dissipation capacitance	V <sub>I</sub> = GND to V <sub>CC</sub> ; <a href="#">[2]</a> V <sub>CC</sub> = 5 V; f <sub>i</sub> = 1 MHz	-	24	-	-	-	-	-	pF	

[1] t<sub>pd</sub> is the same as t<sub>PHL</sub> and t<sub>PLH</sub>.

[2] C<sub>PD</sub> is used to determine the dynamic power dissipation (P<sub>D</sub> in μW):

$$P_D = C_{PD} \times V_{CC}^2 \times f_i \times N + \sum(C_L \times V_{CC}^2 \times f_o) \text{ where:}$$

f<sub>i</sub> = input frequency in MHz;

f<sub>o</sub> = output frequency in MHz;

C<sub>L</sub> = output load capacitance in pF;

V<sub>CC</sub> = supply voltage in V;

N = number of inputs switching;

$\sum(C_L \times V_{CC}^2 \times f_o)$  = sum of outputs.

Table 9. Dynamic characteristics type 74HCT193

Symbol	Parameter	Conditions	25 °C			-40 °C to +85 °C		-40 °C to +125 °C		Unit
			Min	Typ	Max	Min	Max	Min	Max	
t <sub>pd</sub>	propagation delay	CPU, CPD to Qn; see <a href="#">Figure 9</a> <sup>[1]</sup>								
		V <sub>CC</sub> = 4.5 V	-	23	43	-	54	-	65	ns
		CPU to $\overline{\text{TCU}}$ ; see <a href="#">Figure 10</a>								
		V <sub>CC</sub> = 4.5 V	-	15	27	-	34	-	41	ns
		CPD to $\overline{\text{TCD}}$ ; see <a href="#">Figure 10</a>								
		V <sub>CC</sub> = 4.5 V	-	15	27	-	34	-	41	ns
		$\overline{\text{PL}}$ to Qn; see <a href="#">Figure 11</a>								
		V <sub>CC</sub> = 4.5 V	-	26	46	-	58	-	69	ns
		MR to Qn; see <a href="#">Figure 12</a>								
		V <sub>CC</sub> = 4.5 V	-	22	40	-	50	-	60	ns
		Dn to Qn; see <a href="#">Figure 11</a>								
		V <sub>CC</sub> = 4.5 V	-	27	46	-	58	-	69	ns
t <sub>THL</sub>	HIGH to LOW output transition time	$\overline{\text{PL}}$ to $\overline{\text{TCU}}$ , $\overline{\text{PL}}$ to $\overline{\text{TCD}}$ ; see <a href="#">Figure 14</a>								
		V <sub>CC</sub> = 4.5 V	-	31	55	-	69	-	83	ns
		MR to $\overline{\text{TCU}}$ , MR to $\overline{\text{TCD}}$ ; see <a href="#">Figure 14</a>								
		V <sub>CC</sub> = 4.5 V	-	29	55	-	69	-	83	ns
t <sub>TLH</sub>	LOW to HIGH output transition time	Dn to $\overline{\text{TCU}}$ , Dn to $\overline{\text{TCD}}$ ; see <a href="#">Figure 14</a>								
		V <sub>CC</sub> = 4.5 V	-	32	58	-	73	-	87	ns
t <sub>w</sub>	pulse width	see <a href="#">Figure 12</a>								
		V <sub>CC</sub> = 4.5 V	-	7	15	-	19	-	22	ns
		see <a href="#">Figure 12</a>								
		V <sub>CC</sub> = 4.5 V	-	7	15	-	19	-	22	ns
t <sub>w</sub>	pulse width	CPU, CPD (HIGH or LOW); see <a href="#">Figure 9</a>								
		V <sub>CC</sub> = 4.5 V	25	11	-	31	-	38	-	ns
		MR (HIGH); see <a href="#">Figure 12</a>								
t <sub>w</sub>	pulse width	V <sub>CC</sub> = 4.5 V	20	7	-	25	-	30	-	ns
		$\overline{\text{PL}}$ (LOW); see <a href="#">Figure 11</a>								
t <sub>w</sub>	pulse width	V <sub>CC</sub> = 4.5 V	20	8	-	25	-	30	-	ns



**Table 9. Dynamic characteristics type 74HCT193 ...continued**

Symbol	Parameter	Conditions	25 °C			-40 °C to +85 °C		-40 °C to +125 °C		Unit
			Min	Typ	Max	Min	Max	Min	Max	
t <sub>rec</sub>	recovery time	$\overline{PL}$ to CPU, CPD; see <a href="#">Figure 11</a>								
		V <sub>CC</sub> = 4.5 V	10	2	-	13	-	15	-	ns
		MR to CPU, CPD; see <a href="#">Figure 12</a>								
		V <sub>CC</sub> = 4.5 V	10	0	-	13	-	15	-	ns
t <sub>su</sub>	set-up time	Dn to $\overline{PL}$ ; see <a href="#">Figure 13</a> ; note: CPU = CPD = HIGH								
		V <sub>CC</sub> = 4.5 V	16	8	-	20	-	24	-	ns
t <sub>h</sub>	hold time	Dn to $\overline{PL}$ ; see <a href="#">Figure 13</a>								
		V <sub>CC</sub> = 4.5 V	0	-6	-	0	-	0	-	ns
		CPU to CPD, CPD to CPU; see <a href="#">Figure 15</a>								
		V <sub>CC</sub> = 4.5 V	16	7	-	20	-	24	-	ns
f <sub>max</sub>	maximum frequency	CPU, CPD; see <a href="#">Figure 9</a>								
		V <sub>CC</sub> = 4.5 V	20	43	-	16	-	13	-	MHz
C <sub>PD</sub>	power dissipation capacitance	V <sub>I</sub> = GND to V <sub>CC</sub> - <a href="#">[2]</a> 1.5 V; V <sub>CC</sub> = 5 V; f <sub>i</sub> = 1 MHz	-	26	-	-	-	-	-	pF

[1] t<sub>pd</sub> is the same as t<sub>PHL</sub> and t<sub>PLH</sub>.

[2] C<sub>PD</sub> is used to determine the dynamic power dissipation (P<sub>D</sub> in μW):

$$P_D = C_{PD} \times V_{CC}^2 \times f_i \times N + \sum(C_L \times V_{CC}^2 \times f_o) \text{ where:}$$

f<sub>i</sub> = input frequency in MHz;

f<sub>o</sub> = output frequency in MHz;

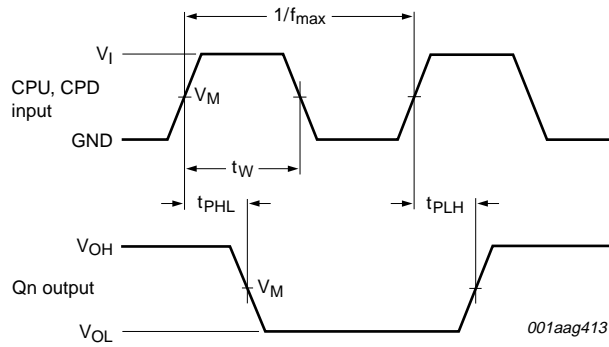
C<sub>L</sub> = output load capacitance in pF;

V<sub>CC</sub> = supply voltage in V;

N = number of inputs switching;

$\sum(C_L \times V_{CC}^2 \times f_o)$  = sum of outputs.

11. Waveforms

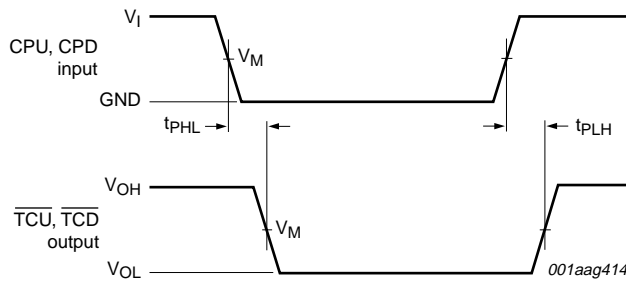


Measurement points are given in [Table 10](#).

$t_{PLH}$  and  $t_{PHL}$  are the same as  $t_{pd}$ .

Logic levels  $V_{OL}$  and  $V_{OH}$  are typical output voltage drops that occur with the output load.

**Fig 9. The clock (CPU, CPD) to output (Qn) propagation delays, the clock pulse width, and the maximum clock pulse frequency**

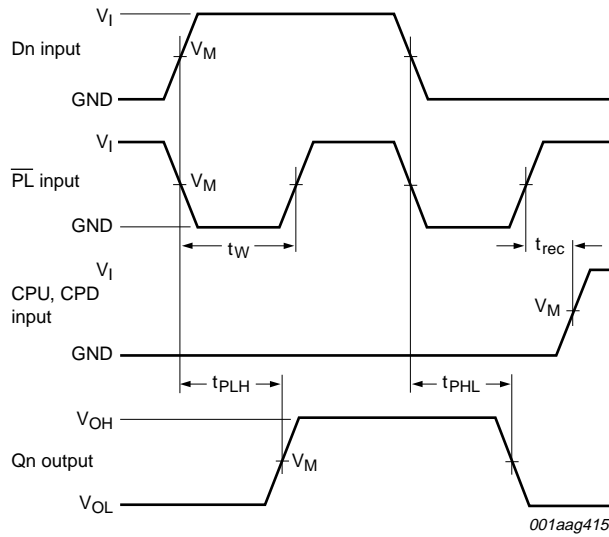


Measurement points are given in [Table 10](#).

$t_{PLH}$  and  $t_{PHL}$  are the same as  $t_{pd}$ .

Logic levels  $V_{OL}$  and  $V_{OH}$  are typical output voltage drops that occur with the output load.

**Fig 10. The clock (CPU, CPD) to terminal count output ( $\overline{TCU}$ ,  $\overline{TCD}$ ) propagation delays**

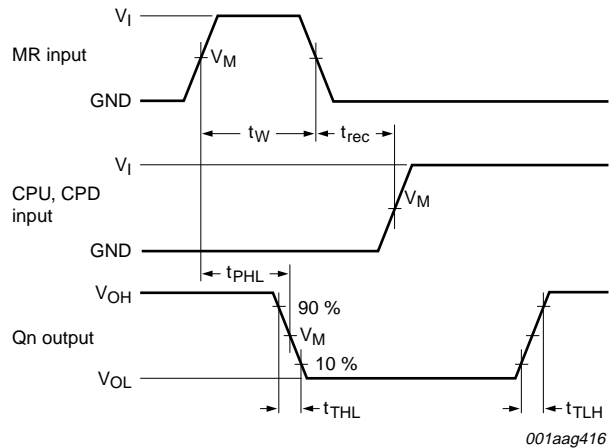


Measurement points are given in [Table 10](#).

$t_{PLH}$  and  $t_{PHL}$  are the same as  $t_{pd}$ .

Logic levels  $V_{OL}$  and  $V_{OH}$  are typical output voltage drops that occur with the output load.

**Fig 11. The parallel load input (PL) and data (Dn) to Qn output propagation delays and PL removal time to clock input (CPU, CPD)**

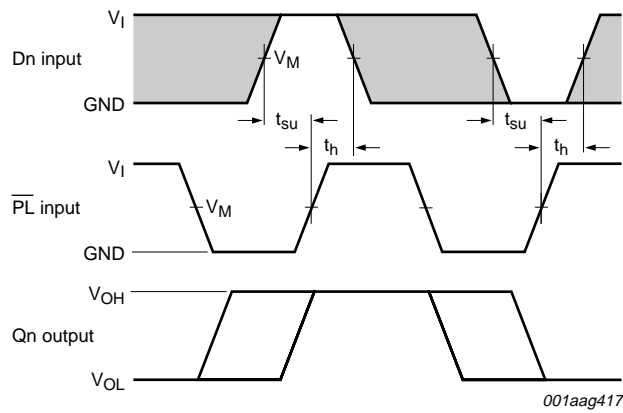


Measurement points are given in [Table 10](#).

$t_{PLH}$  and  $t_{PHL}$  are the same as  $t_{pd}$ .

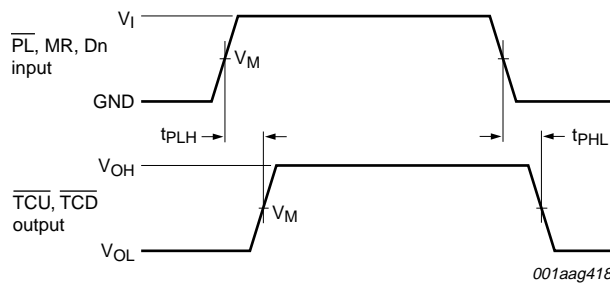
Logic levels  $V_{OL}$  and  $V_{OH}$  are typical output voltage drops that occur with the output load.

**Fig 12. The master reset input (MR) pulse width, MR to Qn propagation delays, MR to CPU, CPD removal time and output transition times**



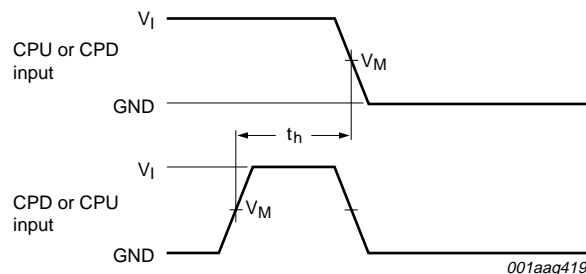
The shaded areas indicate when the input is permitted to change for predictable output performance. Measurement points are given in [Table 10](#). Logic levels  $V_{OL}$  and  $V_{OH}$  are typical output voltage drops that occur with the output load.

**Fig 13. The data input (Dn) to parallel load input (PL) set-up and hold times**



Measurement points are given in [Table 10](#).  $t_{PLH}$  and  $t_{PHL}$  are the same as  $t_{pd}$ . Logic levels  $V_{OL}$  and  $V_{OH}$  are typical output voltage drops that occur with the output load.

**Fig 14. The data input (Dn), parallel load input (PL) and the master reset input (MR) to the terminal count outputs (TCU, TCD) propagation delays**

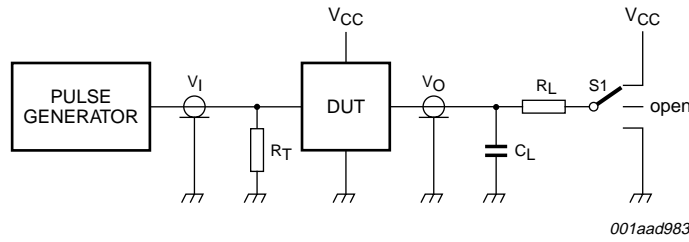
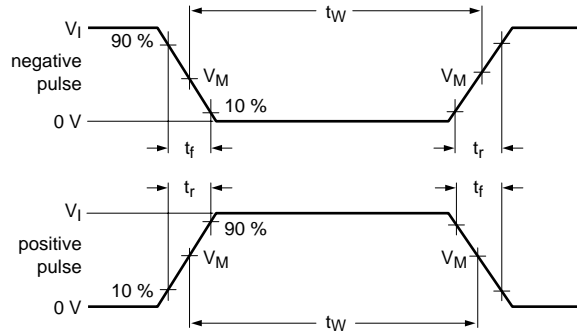


Measurement points are given in [Table 10](#).

**Fig 15. The CPU to CPD or CPD to CPU hold times**

Table 10. Measurement points

Type	Input		Output
	$V_M$	$V_I$	$V_M$
74HC193	$0.5 \times V_{CC}$	GND to $V_{CC}$	$0.5 \times V_{CC}$
74HCT193	1.3 V	GND to 3 V	1.3 V



001aad983

Test data is given in [Table 11](#).

Definitions test circuit:

$R_T$  = Termination resistance should be equal to output impedance  $Z_o$  of the pulse generator

$C_L$  = Load capacitance including jig and probe capacitance

$R_L$  = Load resistor

S1 = Test selection switch

Fig 16. Load circuitry for measuring switching times

Table 11. Test data

Type	Input		Load		S1 position
	$V_I$	$t_r, t_f$	$C_L$	$R_L$	$t_{PHL}, t_{PLH}$
74HC193	$V_{CC}$	6 ns	15 pF, 50 pF	1 k $\Omega$	open
74HCT193	3 V	6 ns	15 pF, 50 pF	1 k $\Omega$	open

## 12. Application information

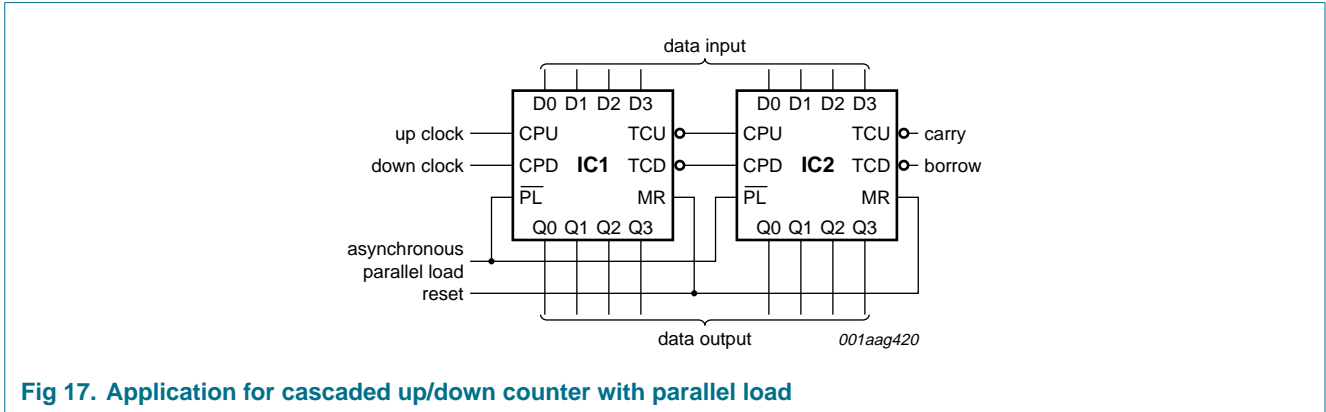


Fig 17. Application for cascaded up/down counter with parallel load

13. Package outline

SO16: plastic small outline package; 16 leads; body width 3.9 mm

SOT109-1

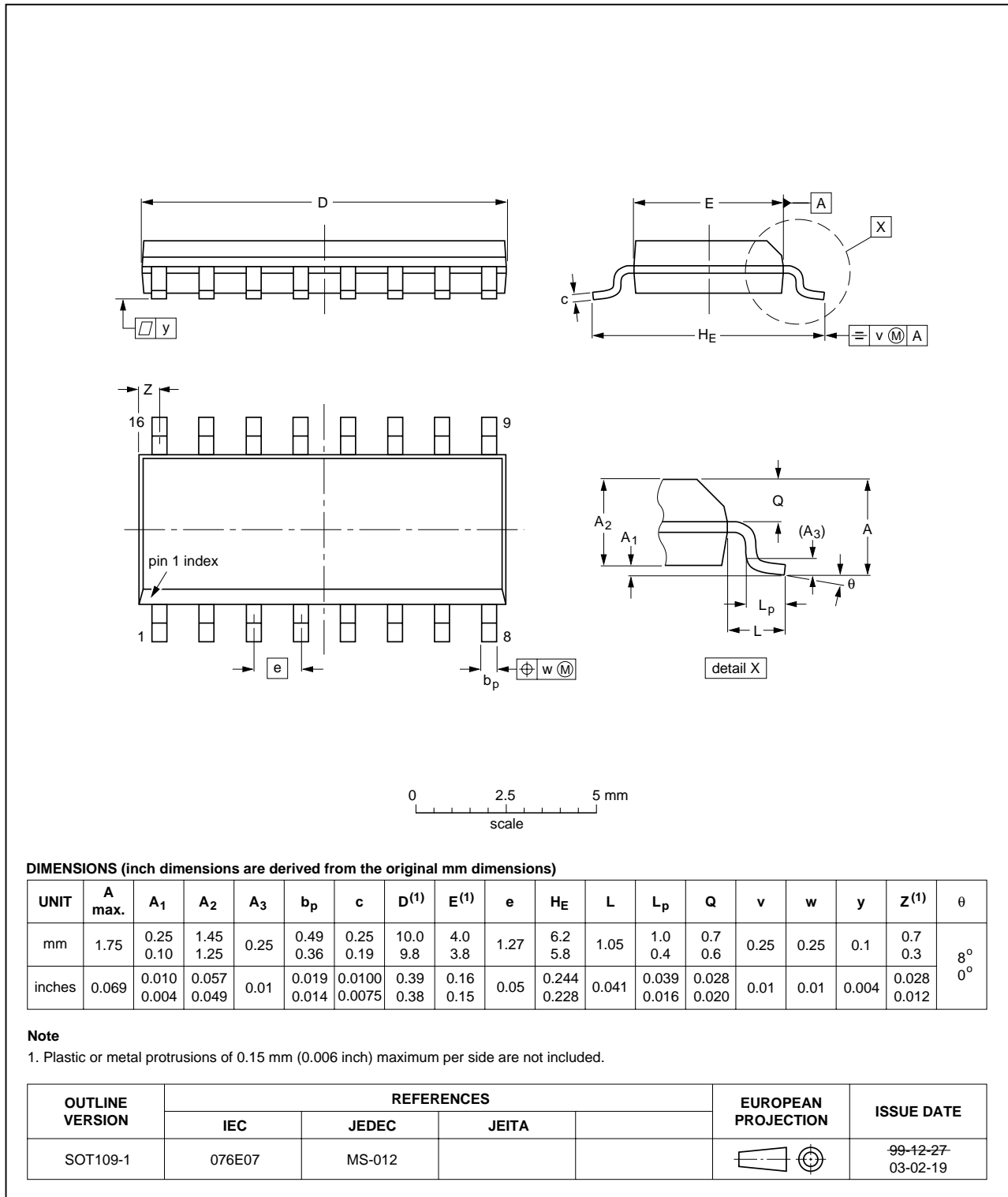


Fig 18. Package outline SOT109-1 (SO16)

SSOP16: plastic shrink small outline package; 16 leads; body width 5.3 mm

SOT338-1

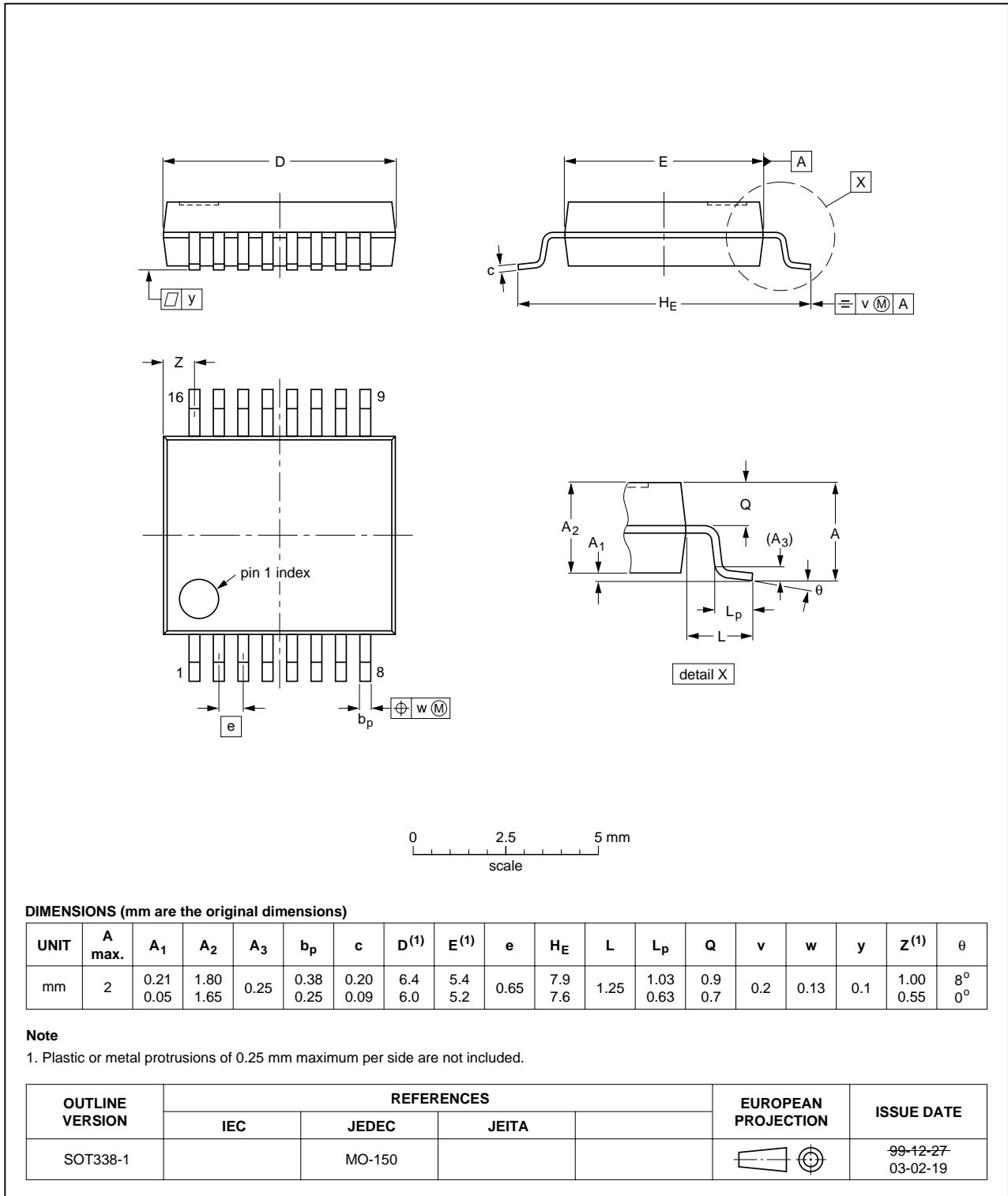


Fig 19. Package outline SOT338-1 (SSOP16)



DIP16: plastic dual in-line package; 16 leads (300 mil)

SOT38-4

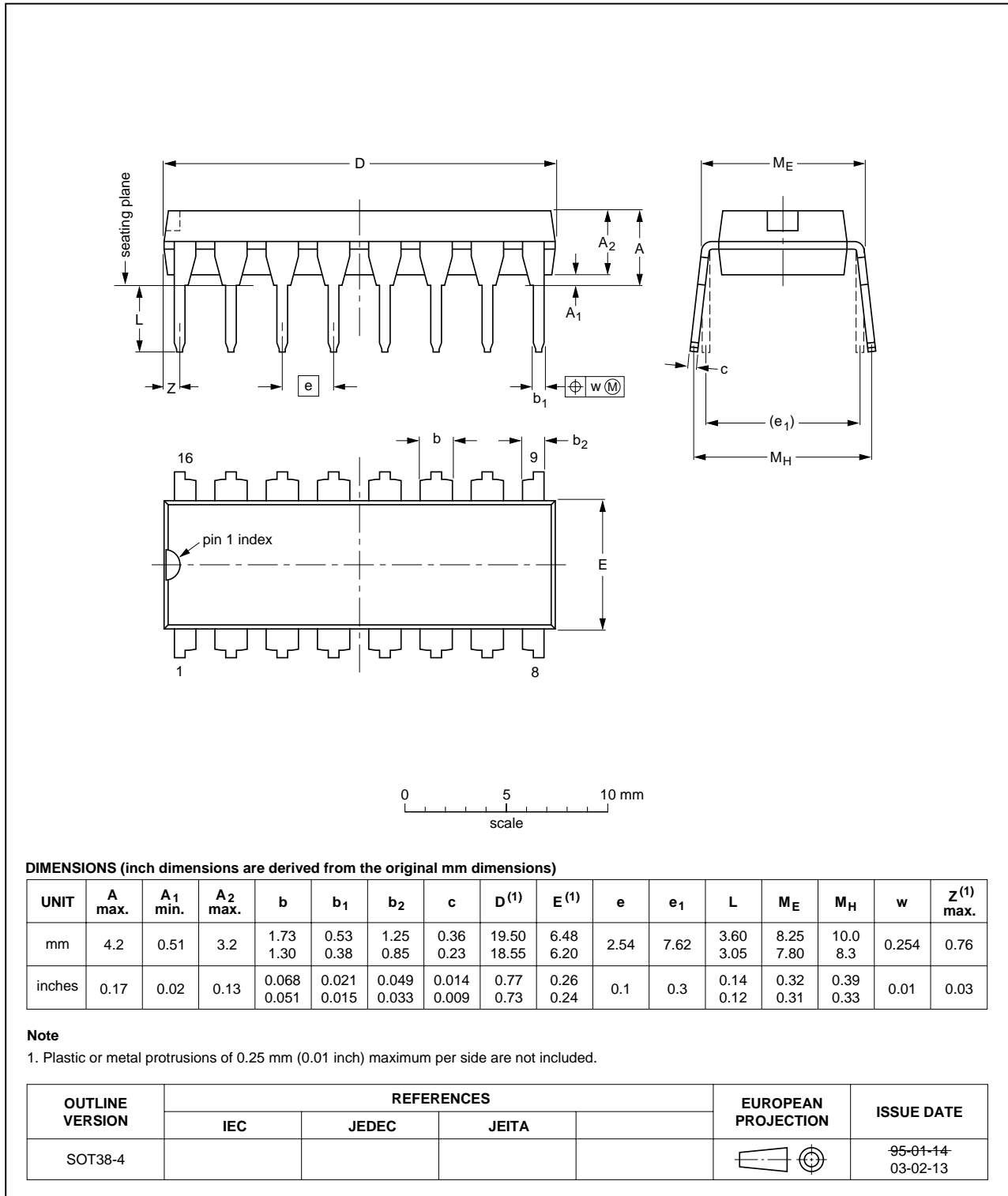


Fig 20. Package outline SOT38-4 (DIP16)

TSSOP16: plastic thin shrink small outline package; 16 leads; body width 4.4 mm

SOT403-1

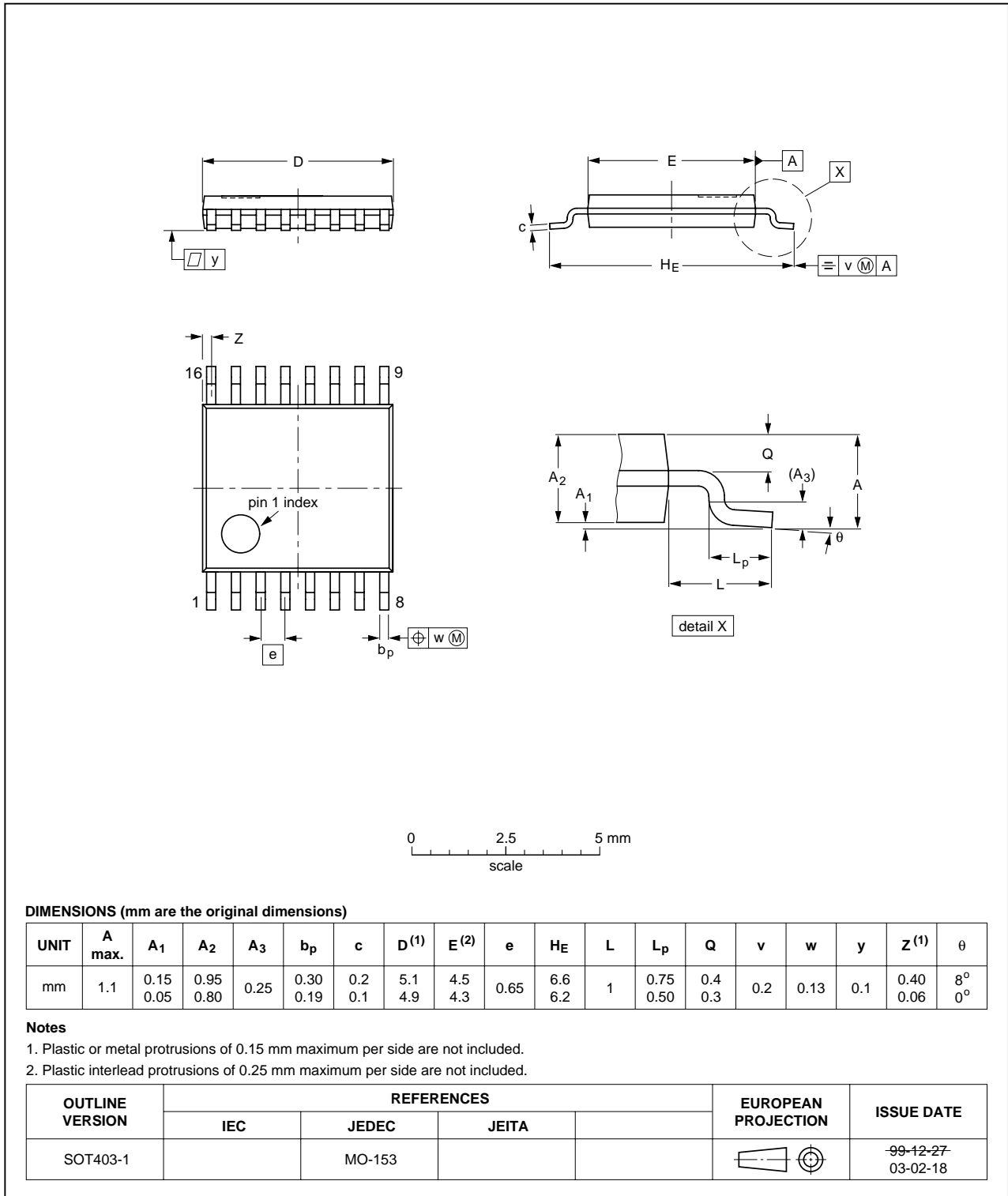


Fig 21. Package outline SOT403-1 (TSSOP16)

## 14. Revision history

Table 12. Revision history

Document ID	Release date	Data sheet status	Change notice	Supersedes
74HC_HCT193_3	20070523	Product data sheet	-	74HC_HCT193_CNV_2
Modifications:		<ul style="list-style-type: none"><li>• The format of this data sheet has been redesigned to comply with the new identity guidelines of NXP Semiconductors.</li><li>• Legal texts have been adapted to the new company name where appropriate.</li><li>• Family specification included</li></ul>		
74HC_HCT193_CNV_2	19970828	Product specification	-	-

## 15. Legal information

## 16. Data sheet status

Document status <sup>[1][2]</sup>	Product status <sup>[3]</sup>	Definition
Objective [short] data sheet	Development	This document contains data from the objective specification for product development.
Preliminary [short] data sheet	Qualification	This document contains data from the preliminary specification.
Product [short] data sheet	Production	This document contains the product specification.

[1] Please consult the most recently issued document before initiating or completing a design.

[2] The term 'short data sheet' is explained in section "Definitions".

[3] The product status of device(s) described in this document may have changed since this document was published and may differ in case of multiple devices. The latest product status information is available on the Internet at URL <http://www.nxp.com>.

### 16.1 Definitions

**Draft** — The document is a draft version only. The content is still under internal review and subject to formal approval, which may result in modifications or additions. NXP Semiconductors does not give any representations or warranties as to the accuracy or completeness of information included herein and shall have no liability for the consequences of use of such information.

**Short data sheet** — A short data sheet is an extract from a full data sheet with the same product type number(s) and title. A short data sheet is intended for quick reference only and should not be relied upon to contain detailed and full information. For detailed and full information see the relevant full data sheet, which is available on request via the local NXP Semiconductors sales office. In case of any inconsistency or conflict with the short data sheet, the full data sheet shall prevail.

### 16.2 Disclaimers

**General** — Information in this document is believed to be accurate and reliable. However, NXP Semiconductors does not give any representations or warranties, expressed or implied, as to the accuracy or completeness of such information and shall have no liability for the consequences of use of such information.

**Right to make changes** — NXP Semiconductors reserves the right to make changes to information published in this document, including without limitation specifications and product descriptions, at any time and without notice. This document supersedes and replaces all information supplied prior to the publication hereof.

**Suitability for use** — NXP Semiconductors products are not designed, authorized or warranted to be suitable for use in medical, military, aircraft, space or life support equipment, nor in applications where failure or

malfunction of a NXP Semiconductors product can reasonably be expected to result in personal injury, death or severe property or environmental damage. NXP Semiconductors accepts no liability for inclusion and/or use of NXP Semiconductors products in such equipment or applications and therefore such inclusion and/or use is at the customer's own risk.

**Applications** — Applications that are described herein for any of these products are for illustrative purposes only. NXP Semiconductors makes no representation or warranty that such applications will be suitable for the specified use without further testing or modification.

**Limiting values** — Stress above one or more limiting values (as defined in the Absolute Maximum Ratings System of IEC 60134) may cause permanent damage to the device. Limiting values are stress ratings only and operation of the device at these or any other conditions above those given in the Characteristics sections of this document is not implied. Exposure to limiting values for extended periods may affect device reliability.

**Terms and conditions of sale** — NXP Semiconductors products are sold subject to the general terms and conditions of commercial sale, as published at <http://www.nxp.com/profile/terms>, including those pertaining to warranty, intellectual property rights infringement and limitation of liability, unless explicitly otherwise agreed to in writing by NXP Semiconductors. In case of any inconsistency or conflict between information in this document and such terms and conditions, the latter will prevail.

**No offer to sell or license** — Nothing in this document may be interpreted or construed as an offer to sell products that is open for acceptance or the grant, conveyance or implication of any license under any copyrights, patents or other industrial or intellectual property rights.

### 16.3 Trademarks

Notice: All referenced brands, product names, service names and trademarks are the property of their respective owners.

## 17. Contact information

For additional information, please visit: <http://www.nxp.com>

For sales office addresses, send an email to: [salesaddresses@nxp.com](mailto:salesaddresses@nxp.com)

## 18. Contents

<b>1</b>	<b>General description</b> .....	<b>1</b>
<b>2</b>	<b>Features</b> .....	<b>2</b>
<b>3</b>	<b>Ordering information</b> .....	<b>2</b>
<b>4</b>	<b>Functional diagram</b> .....	<b>2</b>
<b>5</b>	<b>Pinning information</b> .....	<b>5</b>
5.1	Pinning .....	5
5.2	Pin description .....	5
<b>6</b>	<b>Functional description</b> .....	<b>6</b>
<b>7</b>	<b>Limiting values</b> .....	<b>8</b>
<b>8</b>	<b>Recommended operating conditions</b> .....	<b>8</b>
<b>9</b>	<b>Static characteristics</b> .....	<b>9</b>
<b>10</b>	<b>Dynamic characteristics</b> .....	<b>13</b>
<b>11</b>	<b>Waveforms</b> .....	<b>18</b>
<b>12</b>	<b>Application information</b> .....	<b>22</b>
<b>13</b>	<b>Package outline</b> .....	<b>23</b>
<b>14</b>	<b>Revision history</b> .....	<b>27</b>
<b>15</b>	<b>Legal information</b> .....	<b>28</b>
16	Data sheet status .....	28
16.1	Definitions .....	28
16.2	Disclaimers .....	28
16.3	Trademarks .....	28
<b>17</b>	<b>Contact information</b> .....	<b>28</b>
<b>18</b>	<b>Contents</b> .....	<b>29</b>

Please be aware that important notices concerning this document and the product(s) described herein, have been included in section 'Legal information'.



© NXP B.V. 2007.

All rights reserved.

For more information, please visit: <http://www.nxp.com>

For sales office addresses, please send an email to: [salesaddresses@nxp.com](mailto:salesaddresses@nxp.com)

Date of release: 23 May 2007

Document identifier: 74HC\_HCT193\_3



## Стандарт Электрон Связь

Мы молодая и активно развивающаяся компания в области поставок электронных компонентов. Мы поставляем электронные компоненты отечественного и импортного производства напрямую от производителей и с крупнейших складов мира.

Благодаря сотрудничеству с мировыми поставщиками мы осуществляем комплексные и плановые поставки широчайшего спектра электронных компонентов.

Собственная эффективная логистика и склад в обеспечивает надежную поставку продукции в точно указанные сроки по всей России.

Мы осуществляем техническую поддержку нашим клиентам и предпродажную проверку качества продукции. На все поставляемые продукты мы предоставляем гарантию .

Осуществляем поставки продукции под контролем ВП МО РФ на предприятия военно-промышленного комплекса России , а также работаем в рамках 275 ФЗ с открытием отдельных счетов в уполномоченном банке. Система менеджмента качества компании соответствует требованиям ГОСТ ISO 9001.

Минимальные сроки поставки, гибкие цены, неограниченный ассортимент и индивидуальный подход к клиентам являются основой для выстраивания долгосрочного и эффективного сотрудничества с предприятиями радиоэлектронной промышленности, предприятиями ВПК и научно-исследовательскими институтами России.

С нами вы становитесь еще успешнее!

### Наши контакты:

**Телефон:** +7 812 627 14 35

**Электронная почта:** [sales@st-electron.ru](mailto:sales@st-electron.ru)

**Адрес:** 198099, Санкт-Петербург,  
Промышленная ул, дом № 19, литера Н,  
помещение 100-Н Офис 331