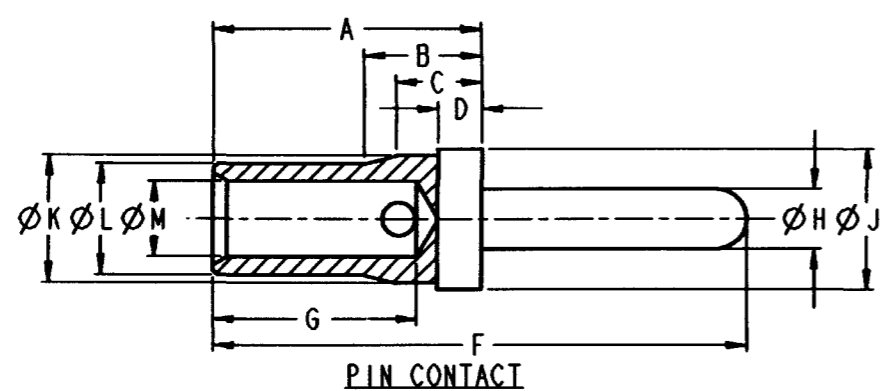
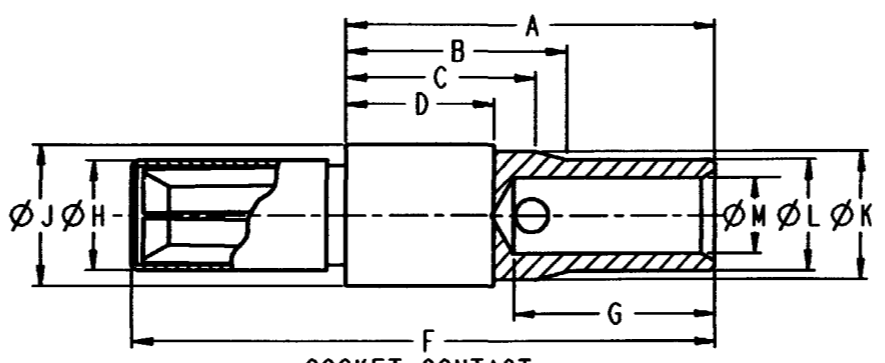


REV
E 4025-001-0000

| REVISIONS | | | |
|-----------|-------------------------|---------|----------|
| SYM | DESCRIPTION | DATE | APPROVED |
| B | REVISED PER E.O. PI7222 | 5-9-01 | R.D.R. |
| C | REVISED PER E.O. PI7698 | 4-7-02 | R.D.R. |
| D | REVISED PER E.O. PI8990 | 7-29-05 | R.D.R. |
| E | REVISED PER E.O. PI9859 | 5-14-08 | RDR |



PIN CONTACT



SOCKET CONTACT

| CONTACT PART NUMBER | SIZE TYPE | WIRE GAGE | A MAX | B MAX | C MAX | D MAX | F MAX | G MIN | H MAX | J MAX | K MAX | L MAX | M MIN | RECOMMENDED STRIP LENGTH |
|---------------------|-----------|-----------|-----------------|-----------------|-----------------|----------------|------------------|-----------------|----------------|-----------------|----------------|----------------|----------------|----------------------------|
| 4060-001-16** | 16 PIN | 16-18 | .605 [15.37] | .286 [7.26] | .211 [5.36] | .108 [2.74] | 1.108 [28.14] | .240 [6.10] | .063 [1.60] | .161 [4.09] | .134 [3.40] | .103 [2.62] | .067 [1.70] | .240-.302 [6.10-7.67] |
| 4062-001-16** | 16 SOC | 16-18 | .890 [22.61] | .571 [14.50] | .496 [12.60] | .393 [9.98] | 1.364 [34.65] | .240 [6.10] | .113 [2.87] | .161 [4.09] | .134 [3.40] | .103 [2.62] | .067 [1.70] | .240-.302 [6.10-7.67] |
| 4060-002-12141 | 12 PIN | 12-14 | .620 [15.75] | .286 [7.26] | .211 [5.36] | .108 [2.74] | 1.178 [29.92] | .250 [6.35] | .094 [2.39] | .209 [5.31] | .180 [4.57] | .152 [3.86] | .097 [2.46] | .250-.312 [6.35-7.92] |
| 4062-002-12141 | 12 SOC | 12-14 | .905 [22.99] | .571 [14.50] | .496 [12.60] | .393 [9.98] | 1.379 [35.03] | .250 [6.35] | .160 [4.06] | .209 [5.31] | .180 [4.57] | .152 [3.86] | .097 [2.46] | .250-.312 [6.35-7.92] |
| 4060-004-08141 | 8 PIN | 10 | .675 [17.15] | .286 [7.26] | .211 [5.36] | .108 [2.74] | 1.303 [33.10] | .475 [12.07] | .143 [3.63] | .337 [8.56] | .305 [7.75] | .266 [6.76] | .135 [3.43] | .475-.537 [12.07-13.64] |
| 4062-003-08141 | 8 SOC | 10 | .915 [23.24] | .526 [13.36] | .451 [11.46] | .348 [8.84] | 1.419 [36.04] | .475 [12.07] | .262 [6.65] | .337 [8.56] | .305 [7.75] | .266 [6.76] | .135 [3.43] | .475-.537 [12.07-13.64] |
| 4060-003-08141 | 8 PIN | 8 | .645 [16.38] | .286 [7.26] | .211 [5.36] | .108 [2.74] | 1.273 [32.33] | .475 [12.07] | .143 [3.63] | .337 [8.56] | .305 [7.75] | .266 [6.76] | .178 [4.52] | .475-.537 [12.07-13.64] |
| 4062-004-08141 | 8 SOC | 8 | .885 [22.48] | .526 [13.36] | .451 [11.46] | .348 [8.84] | 1.389 [35.28] | .475 [12.07] | .262 [6.65] | .337 [8.56] | .305 [7.75] | .266 [6.76] | .178 [4.52] | .475-.537 [12.07-13.64] |
| 4060-006-04141 | 4 PIN | 6 | .665 [16.89] | .226 [5.74] | .211 [5.36] | .108 [2.74] | 1.423 [36.14] | .480 [12.19] | .226 [5.74] | .418 [10.62] | .387 [9.83] | .377 [9.58] | .237 [6.02] | .480-.542 [12.19-13.77] |
| 4062-005-04141 | 4 SOC | 6 | .905 [22.99] | .475 [12.07] | .451 [11.46] | .348 [8.84] | 1.409 [35.79] | .480 [12.19] | .340 [8.64] | .418 [10.62] | .387 [9.83] | .377 [9.58] | .237 [6.02] | .480-.542 [12.19-13.77] |
| 4060-005-04141 | 4 PIN | 4 | .645 [16.38] | .226 [5.74] | .211 [5.36] | .108 [2.74] | 1.403 [35.64] | .480 [12.19] | .226 [5.74] | .418 [10.62] | .387 [9.83] | .377 [9.58] | .288 [7.32] | .480-.542 [12.19-13.77] |
| 4060-009-04141 | 4 PIN | 4 | .645 [16.38] | .226 [5.74] | .211 [5.36] | .108 [2.74] | 1.403 [35.64] | .480 [12.19] | .227 [5.77] | .418 [10.62] | .387 [9.83] | .377 [9.58] | .288 [7.32] | .480-.542 [12.19-13.77] |
| 4062-006-04141 | 4 SOC | 4 | .885 [22.48] | .475 [12.07] | .451 [11.46] | .348 [8.84] | 1.389 [35.28] | .480 [12.19] | .340 [8.64] | .418 [10.62] | .387 [9.83] | .377 [9.58] | .288 [7.32] | .480-.542 [12.19-13.77] |

3

E2 4. THESE CONTACTS MAY BE CRIMPED WITH HDP-400 POWER CRIMPER OR HDT-48-00 (SIZE 12 & 16) AND HDT-04-10 (SIZE 4 & 8) HAND TOOLS. SEE 4025-003-0000 FOR APPLICABLE WIRE SIZE AND CRIMP INFORMATION.

3. NOTED CONTACT IS IDENTIFIED WITH A GREEN STRIP ON CRIMP BARREL.

2. WHEN **=31, CONTACT PLATING IS GOLD.
WHEN **=141, CONTACT PLATING IS NICKEL.

1. DIMENSIONS ARE IN INCHES [mm]

NOTES: UNLESS OTHERWISE SPECIFIED (E1)

| SIGNATURE & DATE | |
|------------------|---------------------------|
| DR | J. NORRIS 19DEC93 |
| CHK | Raula [Signature] 5/14/08 |
| PE | [Signature] 5/14/08 |
| APPD | [Signature] 5-14-08 |
| SCALE | WT |

CONTACT INFORMATION DRAWING
C.E. SERIES

ENVELOPE

| | |
|---|-------------------------|
| EP | MATL. CODE |
| 3850 INDUSTRIAL AVE. HEMET, CA 92545 | |
| DEUTSCH INDUSTRIAL | |
| B 4025-001-0000 | |
| DWG SIZE | CODE 11139 SHEET 1 OF 1 |



Стандарт Электрон Связь

Мы молодая и активно развивающаяся компания в области поставок электронных компонентов. Мы поставляем электронные компоненты отечественного и импортного производства напрямую от производителей и с крупнейших складов мира.

Благодаря сотрудничеству с мировыми поставщиками мы осуществляем комплексные и плановые поставки широчайшего спектра электронных компонентов.

Собственная эффективная логистика и склад в обеспечивает надежную поставку продукции в точно указанные сроки по всей России.

Мы осуществляем техническую поддержку нашим клиентам и предпродажную проверку качества продукции. На все поставляемые продукты мы предоставляем гарантию .

Осуществляем поставки продукции под контролем ВП МО РФ на предприятия военно-промышленного комплекса России , а также работаем в рамках 275 ФЗ с открытием отдельных счетов в уполномоченном банке. Система менеджмента качества компании соответствует требованиям ГОСТ ISO 9001.

Минимальные сроки поставки, гибкие цены, неограниченный ассортимент и индивидуальный подход к клиентам являются основой для выстраивания долгосрочного и эффективного сотрудничества с предприятиями радиоэлектронной промышленности, предприятиями ВПК и научно-исследовательскими институтами России.

С нами вы становитесь еще успешнее!

Наши контакты:

Телефон: +7 812 627 14 35

Электронная почта: sales@st-electron.ru

Адрес: 198099, Санкт-Петербург,
Промышленная ул, дом № 19, литера Н,
помещение 100-Н Офис 331