

Power Resistors for Mounting onto a Heatsink Thick Film Technology



FEATURES

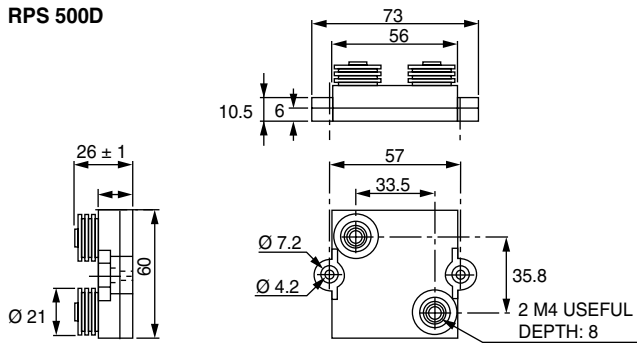
- High power rating: 500 W
- High overload capability up to 2 times rated Power (see energy curve)
- Heatsink mounting
- Low thermal radiation of the case



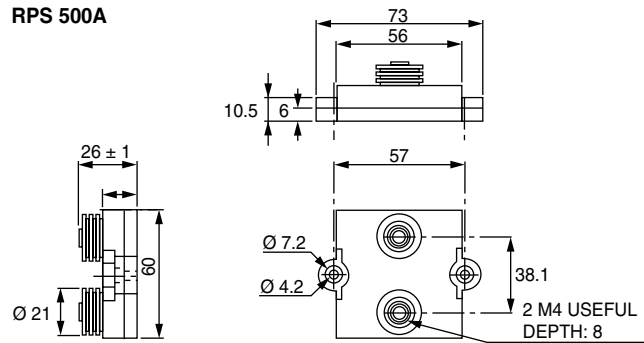
This range has been developed specifically for electrical traction applications and is capable of dissipating 500 W at + 70 °C. The remarkable performance characteristics are evident when used in severe pulse conditions. The copper base allows easy mounting on the heatsink and provides optimal dissipation conditions.

DIMENSIONS in millimeters

RPS 500D



RPS 500A



* Tolerances unless stated: ± 0.2 mm

MECHANICAL SPECIFICATIONS

Mechanical Protection	Insulated case
Substrate	Alumina onto base of nickel coated copper
Resistive Element	Cermet
End Connections	Screws M4 (M5 onrequest)
Tightening Torque on Connections	2 Nm
Tightening Torque on Heatsink	4 Nm
Weight	250 g ± 10 %

ENVIRONMENTAL SPECIFICATIONS

Temperature Range	- 55 °C to + 125 °C
Flammability	IEC 60695-11-5 2 applications 30 s separated by 60 s

ELECTRICAL SPECIFICATIONS

Resistance Range	0.24 to 1M E24 series
Tolerances	± 1 % to ± 10 %
Rated Power (Pr70) Chassis Mounted at 70 °C (Case Temperature)	500 W continuous load
Thermal Resistance of the Component	R _{TH(j-c)} : 0.11 °C/W
Temperature Coefficient, TC	± 300 ppm/°C < 1 Ω ± 150 ppm/°C > 1 Ω
Limiting Element Voltage U_L	5 kV _{RMS}
Dielectric Strength	L: 7 kV _{RMS} - H: 12 kV _{RMS} MIL STD 202 Method 301: 1 min/10 mA max.
Insulation Resistance	> 10 ⁶ MΩ under U _{ins} = 500 V _{DC} IEC 60115-1
Inductance	< 50 nH

PERFORMANCE		
TESTS	CONDITIONS	REQUIREMENTS
Momentary Overload	IEC 60115-1 2 Pr/10 s $U_L = 5000$ V	$< \pm (0.25 \% + 0.05 \Omega)$
Rapid Temperature Change	IEC 60115-1/IEC60068-2-14 Test Na 5 cycles - 55 °C to + 125 °C	$< \pm (0.25 \% + 0.05 \Omega)$
Load Life (Chassis Mounted)	IEC 60115-1 Pr (i.e. 500 W)/1000 h/70 °C (no cycling) ⁽¹⁾	$< \pm (0.5 \% + 0.05 \Omega)$
Humidity (Steady State)	MIL STD 202 Method 103 B and D 56 days 95% RH/40 °C	$< \pm (0.5 \% + 0.05 \Omega)$

Note
⁽¹⁾ Resistors are not tested and guaranteed in cycling conditions

RESISTANCE VALUE IN RELATION TO TOLERANCE AND TCR		
Ohmic	$< 1 \Omega$	$> 1 \Omega$
Standard Tolerance	$\pm 5 \%$	$\pm 5 \%$
Standard TCR (- 55 °C to + 125 °C)	± 300 ppm/°C	± 150 ppm/°C
Tolerance on Request	$\pm 1 \%, \pm 2 \%, \pm 10 \%$	

CHOICE OF THE HEATSINK

The user must choose according to the working conditions of the component (power, room temperature).

Maximum working temperature must not exceed 125 °C.

The dissipated power is simply calculated by the following ratio:

$$P = \frac{\Delta T}{[R_{TH(j-c)} + R_{TH(c-a)}]} \quad (1)$$

P: Expressed in W

ΔT : Difference between maximum working temperature and room temperature.

$R_{TH(j-c)}$: Thermal resistance value measured between resistive layer and outer side of the resistor. It is the thermal resistance of the component: 0.11 °C/W.

$R_{TH(c-a)}$: Thermal resistance value measured between outer side of the resistor and room temperature. It is the thermal resistance of the heatsink, depending on the heatsink itself (type, shape) and the quality of the fastening device.

RECOMMENDATIONS FOR MOUNTING ONTO A HEATSINK

Surfaces in contact must be carefully cleaned.

The heater must have an acceptable flatness: from 0.05 mm to 0.1 mm/100 mm.

Roughness of the heatsink must be around 6.3 μ m.

In order to improve thermal conductivity, surfaces in contact (alumina, heatsink) should be coated with a silicon grease (type SI 340 Rhône-Poulenc or Dow Corning).

The fastening of the resistor to the heatsink is under pressure control of two screws tightened at 4 Nm for full power availability

The following accessories are supplied with each product: 2 off CHC M4 x 16/16 class 8.8 for heatsink mounting,
2 off TH M4 x 6/6 and 2 M4 contact lock washers for connections.

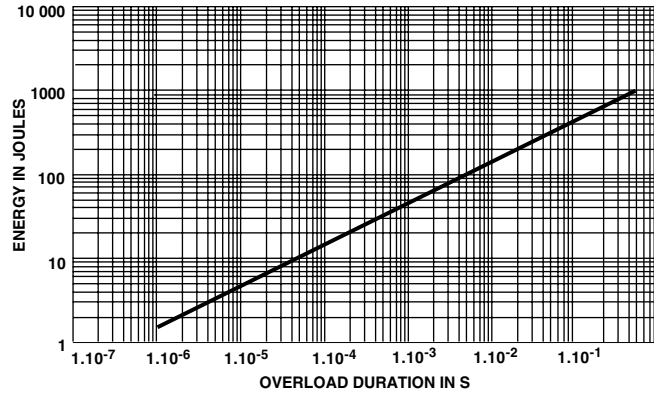


OVERLOADS

Short time overload: $2 P_n/10 \text{ s}$

Accidental overload: The values indicated in the graph below are applicable to resistors in air or mounted onto a heatsink.

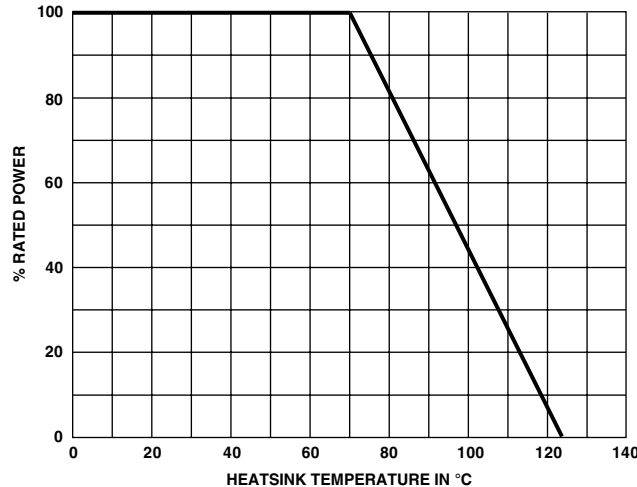
ENERGY CURVE



POWER RATING CHART

The heatsink temperature should be maintained at the values specified in fig. 2.

To optimise the thermal conduction, contacting surfaces should be coated with silicone grease and heatsink mounting screws tightened to 4 Nm.



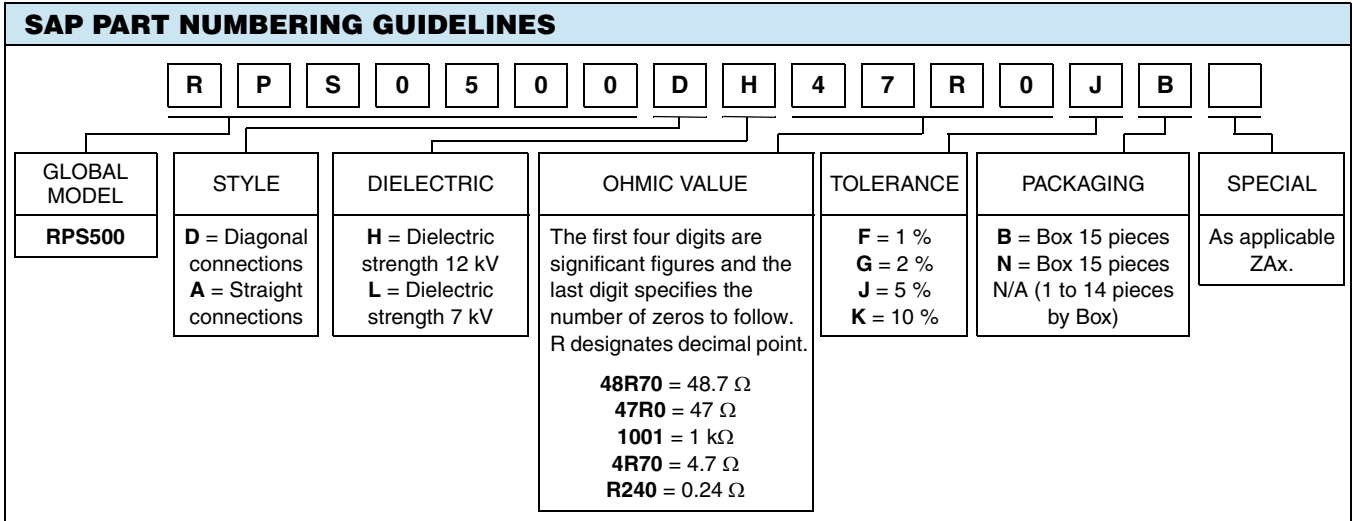
PACKAGING

Box of 15 units

MARKING

Series, style, ohmic value (in), tolerance (in), tolerance (in %), manufacturing date, VISHAY trade mark.

ORDERING INFORMATION							
RPS	500	DH	100 Ω	10 %	XXX	BO15	E
MODEL	STYLE	CONNECTIONS	RESISTANCE VALUE	TOLERANCE	CUSTOM DESIGN	PACKAGING	LEAD (Pb)-FREE
		Optional		± 1 %	Options		
		H: Dielectric strength 12 kV		± 2 %	on request		
		L: Dielectric strength 7 kV		± 5 %	TCR, shape, etc.		
				± 10 %			





Disclaimer

All product specifications and data are subject to change without notice.

Vishay Intertechnology, Inc., its affiliates, agents, and employees, and all persons acting on its or their behalf (collectively, "Vishay"), disclaim any and all liability for any errors, inaccuracies or incompleteness contained herein or in any other disclosure relating to any product.

Vishay disclaims any and all liability arising out of the use or application of any product described herein or of any information provided herein to the maximum extent permitted by law. The product specifications do not expand or otherwise modify Vishay's terms and conditions of purchase, including but not limited to the warranty expressed therein, which apply to these products.

No license, express or implied, by estoppel or otherwise, to any intellectual property rights is granted by this document or by any conduct of Vishay.

The products shown herein are not designed for use in medical, life-saving, or life-sustaining applications unless otherwise expressly indicated. Customers using or selling Vishay products not expressly indicated for use in such applications do so entirely at their own risk and agree to fully indemnify Vishay for any damages arising or resulting from such use or sale. Please contact authorized Vishay personnel to obtain written terms and conditions regarding products designed for such applications.

Product names and markings noted herein may be trademarks of their respective owners.



Стандарт Электрон Связь

Мы молодая и активно развивающаяся компания в области поставок электронных компонентов. Мы поставляем электронные компоненты отечественного и импортного производства напрямую от производителей и с крупнейших складов мира.

Благодаря сотрудничеству с мировыми поставщиками мы осуществляем комплексные и плановые поставки широчайшего спектра электронных компонентов.

Собственная эффективная логистика и склад в обеспечивает надежную поставку продукции в точно указанные сроки по всей России.

Мы осуществляем техническую поддержку нашим клиентам и предпродажную проверку качества продукции. На все поставляемые продукты мы предоставляем гарантию .

Осуществляем поставки продукции под контролем ВП МО РФ на предприятия военно-промышленного комплекса России , а также работаем в рамках 275 ФЗ с открытием отдельных счетов в уполномоченном банке. Система менеджмента качества компании соответствует требованиям ГОСТ ISO 9001.

Минимальные сроки поставки, гибкие цены, неограниченный ассортимент и индивидуальный подход к клиентам являются основой для выстраивания долгосрочного и эффективного сотрудничества с предприятиями радиоэлектронной промышленности, предприятиями ВПК и научно-исследовательскими институтами России.

С нами вы становитесь еще успешнее!

Наши контакты:

Телефон: +7 812 627 14 35

Электронная почта: sales@st-electron.ru

Адрес: 198099, Санкт-Петербург,
Промышленная ул, дом № 19, литера Н,
помещение 100-Н Офис 331