

HIGH VOLTAGE FAST SWITCHING NPN POWER TRANSISTOR**APT13003D****General Description**

The APT13003D is a high voltage, high speed, high efficiency switching transistor, and it is specially designed for off-line switch mode power supplies with low output power.

The APT13003D is available in TO-92 (bulk or ammo packing), TO-126 and TO-251 packages.

Features

- High Switching Speed
- High Collector-Emitter Voltage: 700V
- Low Cost
- High Efficiency

Applications

- Battery Chargers for Mobile Phone of BCD Solution
- Power Supply for DVD/STB of BCD Solution

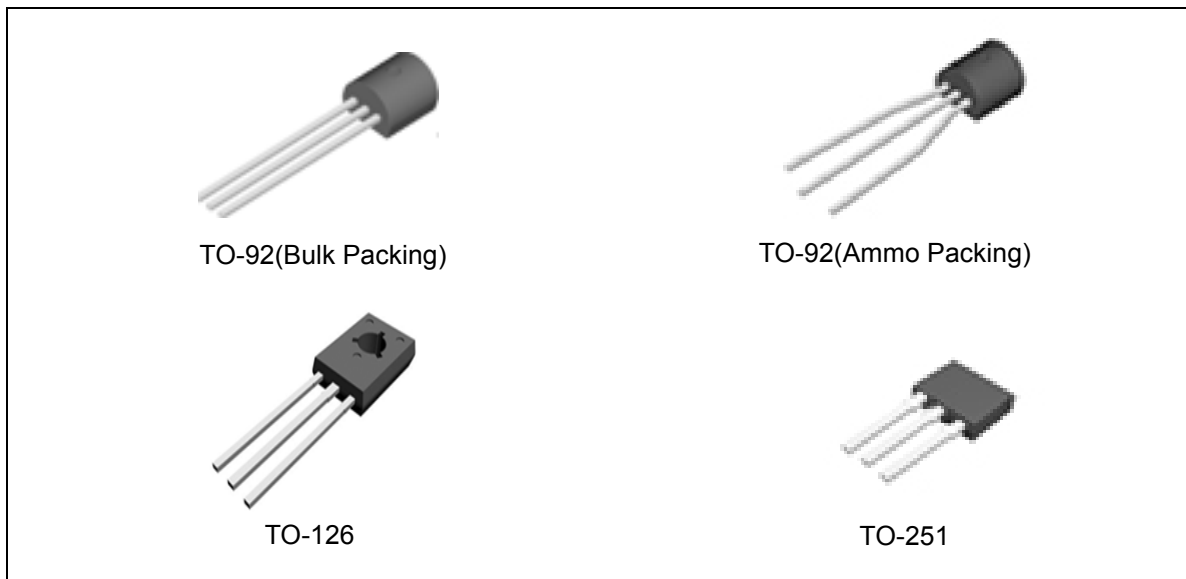


Figure 1. Package Types of APT13003D

HIGH VOLTAGE FAST SWITCHING NPN POWER TRANSISTOR APT13003D

Pin Configuration

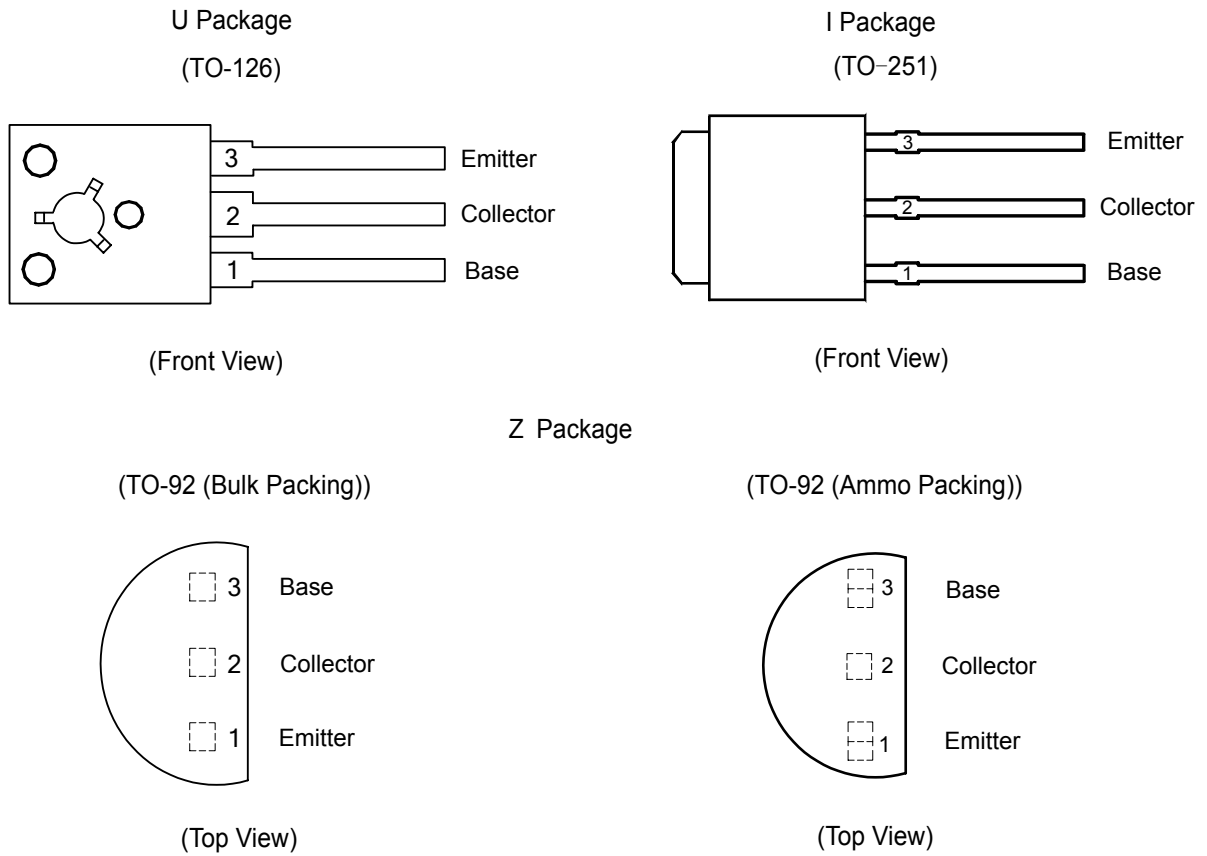


Figure 2. Pin Configuration of APT13003D

Internal Structure

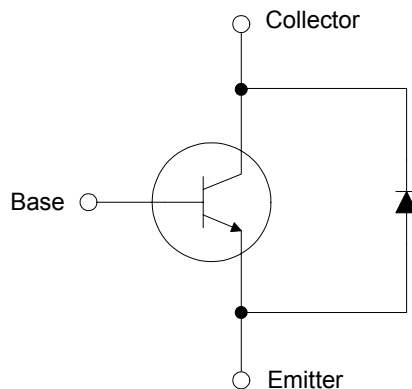
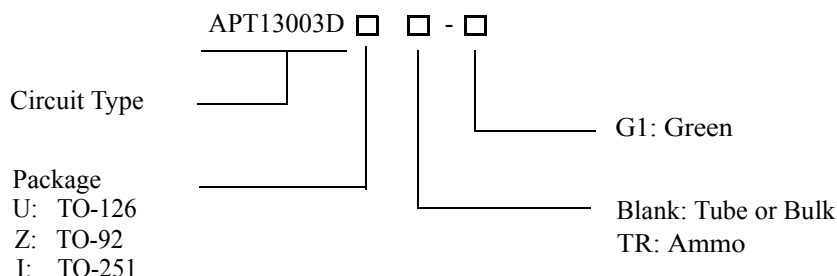


Figure 3. Internal Structure of APT13003D



HIGH VOLTAGE FAST SWITCHING NPN POWER TRANSISTOR APT13003D

Ordering Information



Package	Part Number	Marking ID	Packing Type
TO-126	APT13003DU-G1	GU13003D	Bulk
TO-92	APT13003DZ-G1	13003DZ-G1	Bulk
	APT13003DZTR-G1	13003DZ-G1	Ammo
TO-251	APT13003DI-G1	APT13003DI-G1	Tube

BCD Semiconductor's Pb-free products, as designated with "G1" suffix in the part number, are RoHS compliant and green.

Absolute Maximum Ratings (Note 1)

Parameter	Symbol	Value	Unit
Collector-Emitter Voltage ($V_{BE}=0$)	V_{CES}	700	V
Collector-Emitter Voltage ($I_B=0$)	$V_{CEO(sus)}$	450	V
Emitter-Base Breakdown Voltage ($I_C=0$)	V_{EBO}	9	V
Collector Current	I_C	1.5	A
Collector Peak Current	I_{CM}	3.0	A
Base Current	I_B	0.75	A
Base Peak Current	I_{BM}	1.5	A
Power Dissipation ($T_A=25^{\circ}C$)	For TO-92	1.1	W
	For TO-251	24	
	For TO-126	20	
Operating Junction Temperature	T_J	150	$^{\circ}C$
Storage Temperature Range	T_{STG}	-55 to 150	$^{\circ}C$

Note 1: Stresses greater than those listed under "Absolute Maximum Ratings" may cause permanent damage to the device. These are stress ratings only, and functional operation of the device at these or any other conditions beyond those indicated under "Recommended Operating Conditions" is not implied. Exposure to "Absolute Maximum Ratings" for extended periods may affect device reliability.

**HIGH VOLTAGE FAST SWITCHING NPN POWER TRANSISTOR APT13003D****Thermal Characteristics**

Parameter		Symbol	Value	Unit
Maximum Thermal Resistance (Junction to Case)	For TO-126	θ_{JC}	6.25	°C/W
	For TO-251		5.0	
	For TO-92		83.3	
Maximum Thermal Resistance (Junction to Ambient)	For TO-126	θ_{JA}	96	°C/W
	For TO-251		110	
	For TO-92		113.6	

Electrical Characteristics($T_C=25^\circ\text{C}$, unless otherwise specified.)

Parameter	Symbol	Condition	Min	Typ	Max	Unit
Collector Cut-off Current ($V_{BE}=-1.5\text{V}$)	I_{CEV}	$V_{CE}=700\text{V}$			10	μA
Collector-Emitter Sustaining ($I_B=0$)	$V_{CEO}(\text{sus})$	$I_C=100\mu\text{A}$	450			V
Collector-Emitter Saturation Voltage	$V_{CE}(\text{sat})$	$I_C=0.5\text{A}, I_B=0.1\text{A}$			0.3	V
		$I_C=1.0\text{A}, I_B=0.25\text{A}$			0.4	
Base-Emitter Saturation Voltage	$V_{BE}(\text{sat})$	$I_C=0.5\text{A}, I_B=0.1\text{A}$			1.0	V
		$I_C=1.0\text{A}, I_B=0.25\text{A}$			1.2	
DC Current Gain (Note 2)	h_{FE}	$I_C=0.5\text{A}, V_{CE}=2.0\text{V}$	16		30	
		$I_C=1.0\text{A}, V_{CE}=2.0\text{V}$	5.0		25	
Turn-on Time with Resistive Load	t_{on}	$I_C=1.0\text{A}, V_{CC}=125\text{V}$ $I_{B1}=0.2\text{A}, I_{B2}=-0.2\text{A}$			0.7	μs
Storage Time with Resistive Load	t_s				3.0	μs
Fall Time with Resistive Load	t_f				0.35	μs
Output Capacitance	C_{OB}	$V_{CB}=10\text{V}, f=0.1\text{MHz}$		18		pF
Current Gain Bandwidth Product	f_T	$V_{CE}=10\text{V}, I_C=0.1\text{A}$	4			MH

Note 2: Pulse test for Pulse Width $\leq 300\mu\text{s}$, Duty Cycle $\leq 2\%$.



HIGH VOLTAGE FAST SWITCHING NPN POWER TRANSISTOR APT13003D

Typical Performance Characteristics

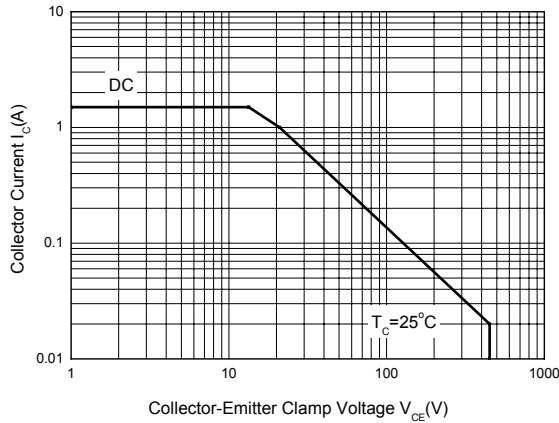


Figure 4. Safe Operating Areas (TO-126 Package)

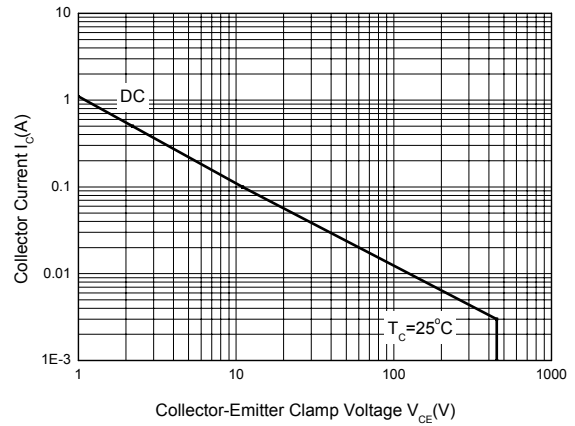


Figure 5. Safe Operating Areas (TO-92 Package)

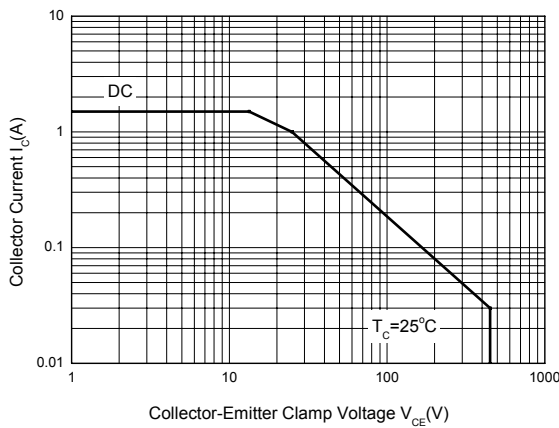


Figure 6. Safe Operating Areas (TO-251 Package)

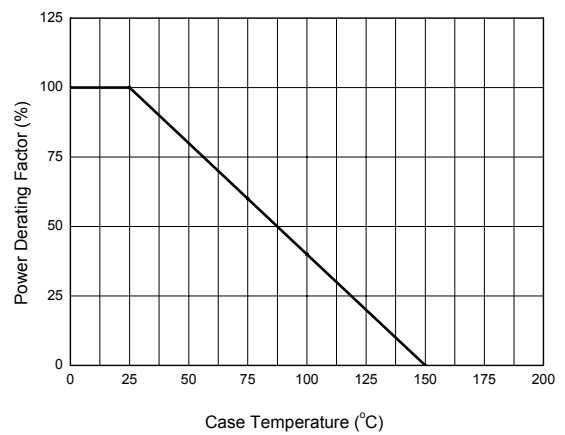


Figure 7. Power Derating Curve



HIGH VOLTAGE FAST SWITCHING NPN POWER TRANSISTOR APT13003D

Typical Performance Characteristics (Continued)

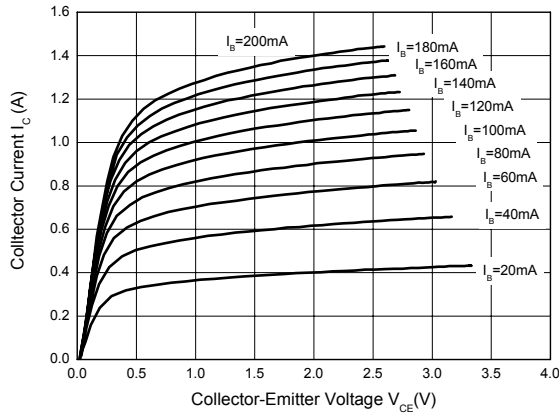


Figure 8. Static Characteristics

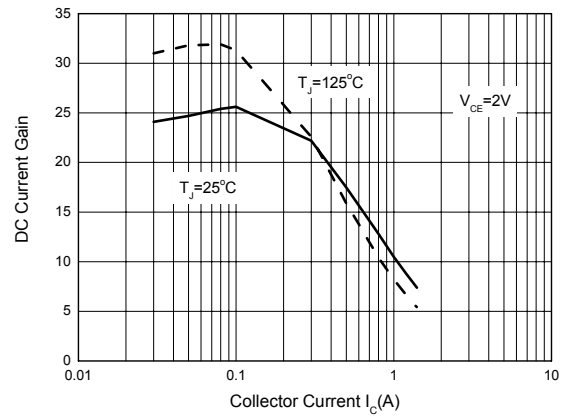


Figure 9. DC Current Gain

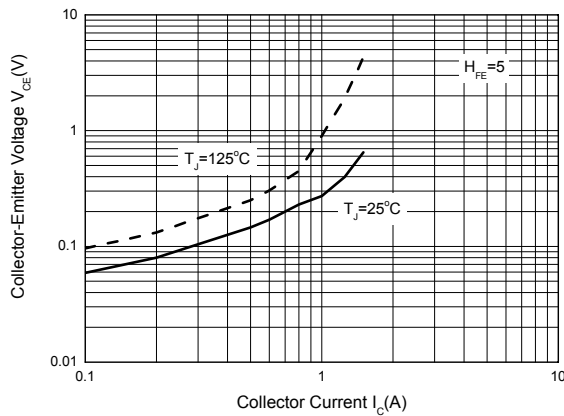


Figure 10. Collector-Emmitter Saturation Region

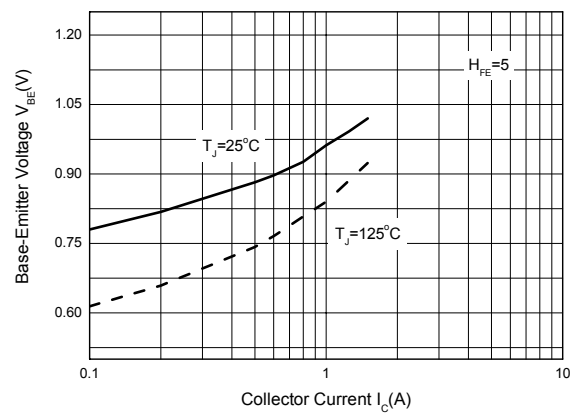


Figure 11. Base-Emmitter Saturation Voltage

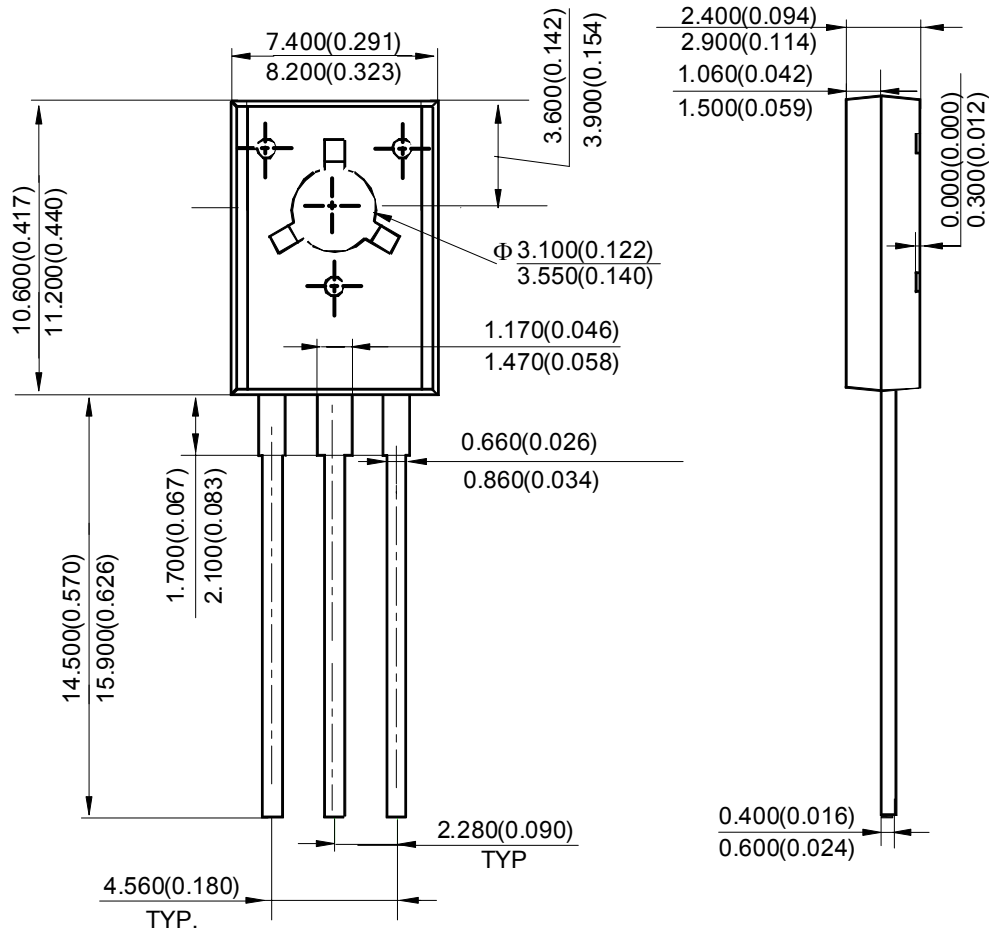


HIGH VOLTAGE FAST SWITCHING NPN POWER TRANSISTOR APT13003D

Mechanical Dimensions

TO-126

Unit: mm(inch)



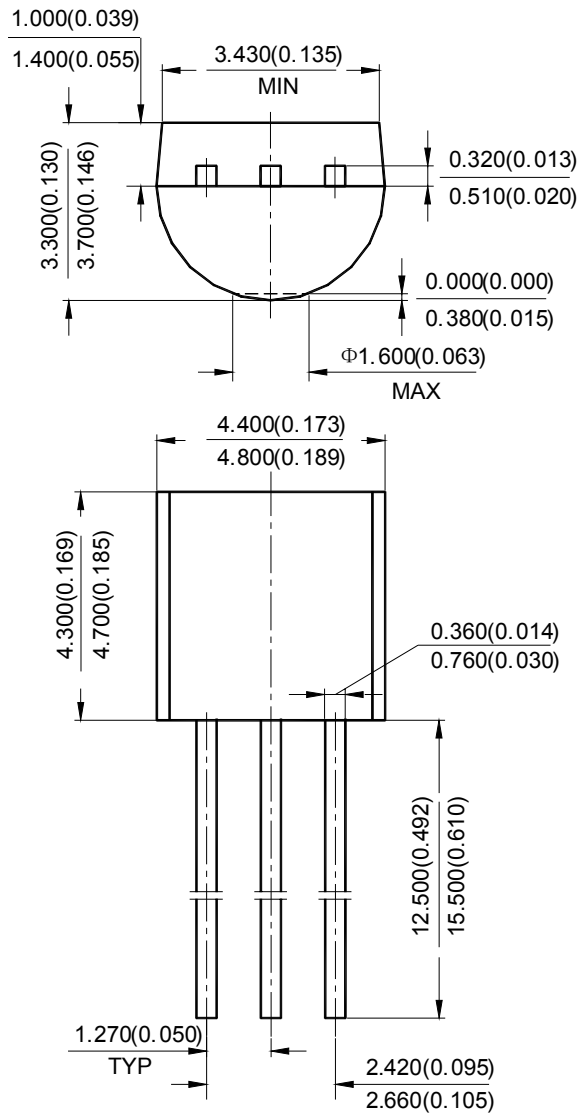


HIGH VOLTAGE FAST SWITCHING NPN POWER TRANSISTOR APT13003D

Mechanical Dimensions (Continued)

TO-92 (Bulk Packing)

Unit: mm(inch)



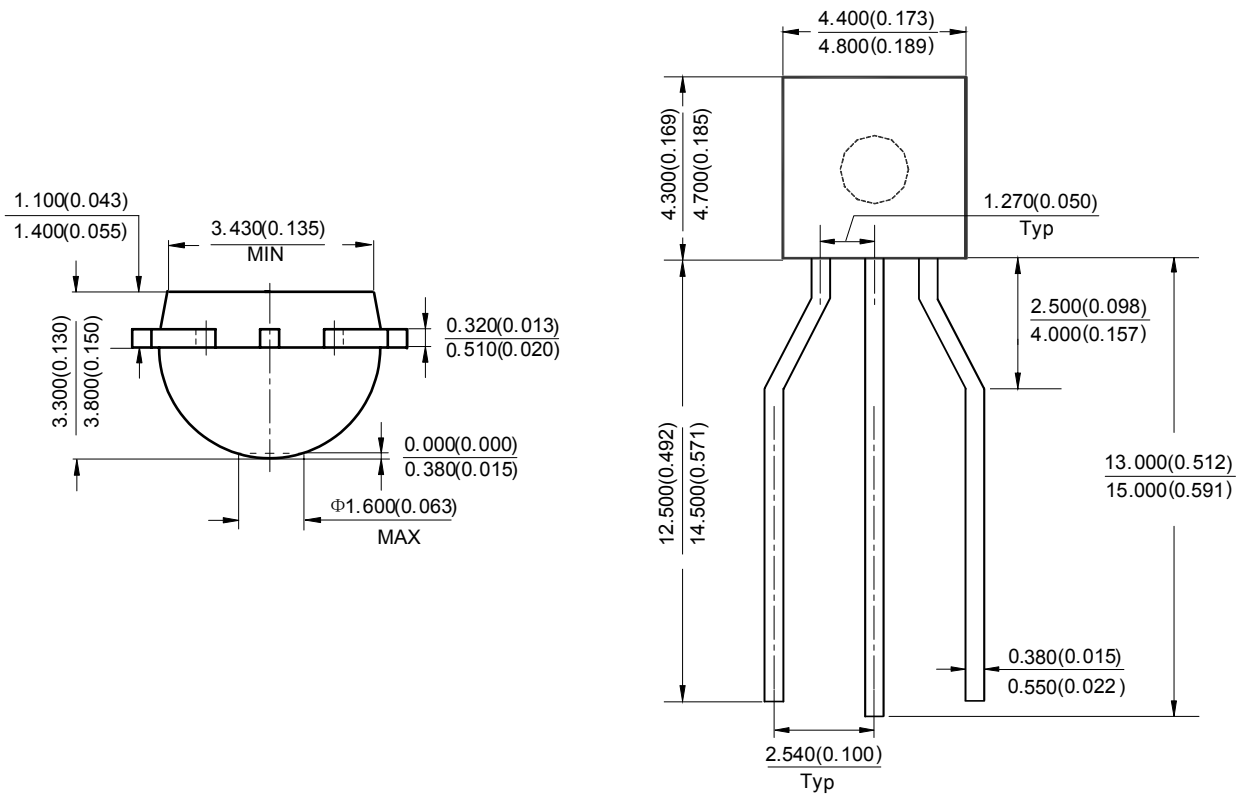


HIGH VOLTAGE FAST SWITCHING NPN POWER TRANSISTOR APT13003D

Mechanical Dimensions (Continued)

TO-92 (Ammo Packing)

Unit: mm(inch)



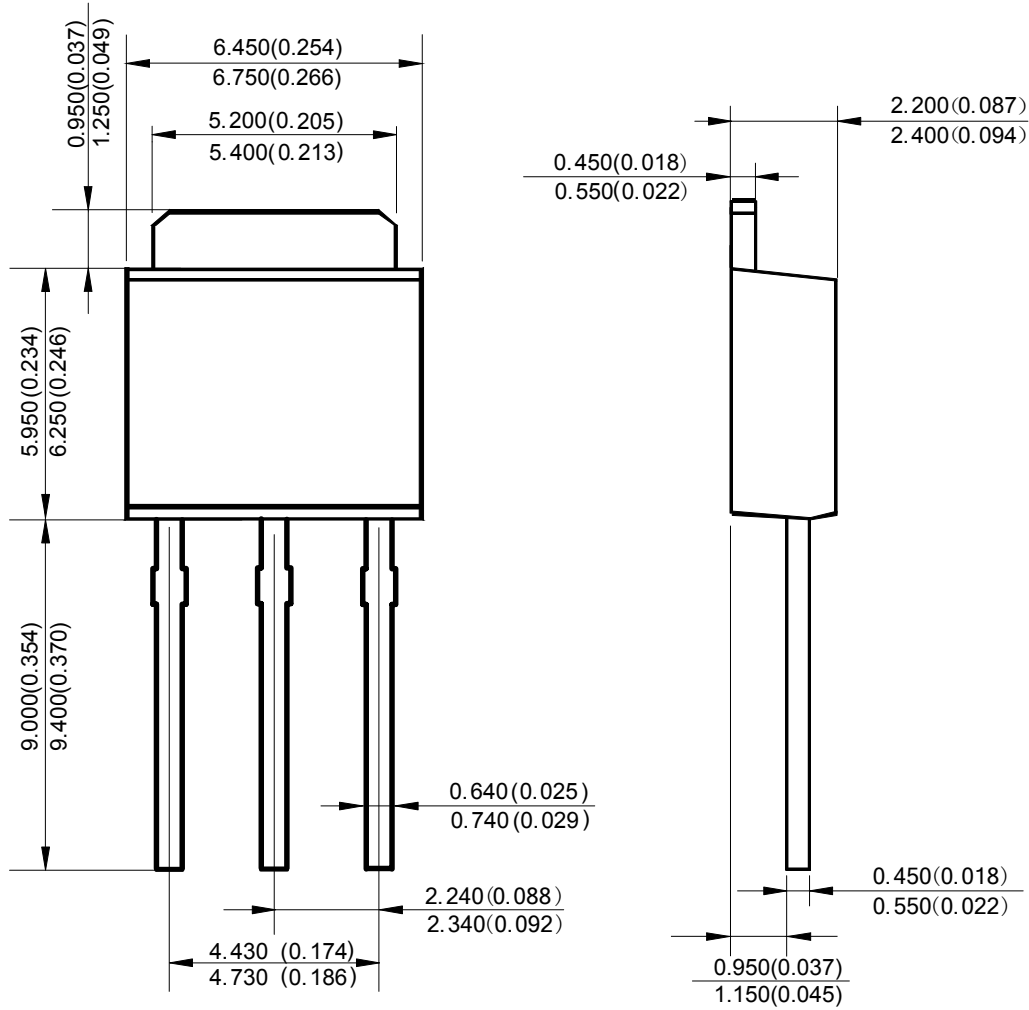


HIGH VOLTAGE FAST SWITCHING NPN POWER TRANSISTOR APT13003D

Mechanical Dimensions (Continued)

TO-251

Unit: mm(inch)





BCD Semiconductor Manufacturing Limited

<http://www.bcdsemi.com>

IMPORTANT NOTICE

BCD Semiconductor Manufacturing Limited reserves the right to make changes without further notice to any products or specifications herein. BCD Semiconductor Manufacturing Limited does not assume any responsibility for use of any its products for any particular purpose, nor does BCD Semiconductor Manufacturing Limited assume any liability arising out of the application or use of any its products or circuits. BCD Semiconductor Manufacturing Limited does not convey any license under its patent rights or other rights nor the rights of others.

MAIN SITE

- Headquarters

BCD Semiconductor Manufacturing Limited

No. 1600, Zi Xing Road, Shanghai ZiZhu Science-based Industrial Park, 200241, China
Tel: +86-21-24162266, Fax: +86-21-24162277

- Wafer Fab

Shanghai SIM-BCD Semiconductor Manufacturing Co., Ltd.

800 Yi Shan Road, Shanghai 200233, China
Tel: +86-21-6485 1491, Fax: +86-21-5450 0008

REGIONAL SALES OFFICE

Shenzhen Office

Shanghai SIM-BCD Semiconductor Manufacturing Co., Ltd., Shenzhen Office

Unit A Room 1203, Skyworth Bldg., Gaoxin Ave. 1.S., Nanshan District, Shenzhen, China
Tel: +86-755-8826 7951
Fax: +86-755-8826 7865

Taiwan Office

BCD Semiconductor (Taiwan) Company Limited

4F, 298-1, Rui Guang Road, Nei-Hu District, Taipei, Taiwan
Tel: +886-2-2656 2808
Fax: +886-2-2656 2806

USA Office

BCD Semiconductor Corp.

30920 Huntwood Ave. Hayward, CA 94544, USA
Tel : +1-510-324-2988
Fax: +1-510-324-2788



**Стандарт
Электрон
Связь**

Мы молодая и активно развивающаяся компания в области поставок электронных компонентов. Мы поставляем электронные компоненты отечественного и импортного производства напрямую от производителей и с крупнейших складов мира.

Благодаря сотрудничеству с мировыми поставщиками мы осуществляем комплексные и плановые поставки широчайшего спектра электронных компонентов.

Собственная эффективная логистика и склад в обеспечивает надежную поставку продукции в точно указанные сроки по всей России.

Мы осуществляем техническую поддержку нашим клиентам и предпродажную проверку качества продукции. На все поставляемые продукты мы предоставляем гарантию .

Осуществляем поставки продукции под контролем ВП МО РФ на предприятия военно-промышленного комплекса России , а также работаем в рамках 275 ФЗ с открытием отдельных счетов в уполномоченном банке. Система менеджмента качества компании соответствует требованиям ГОСТ ISO 9001.

Минимальные сроки поставки, гибкие цены, неограниченный ассортимент и индивидуальный подход к клиентам являются основой для выстраивания долгосрочного и эффективного сотрудничества с предприятиями радиоэлектронной промышленности, предприятиями ВПК и научно-исследовательскими институтами России.

С нами вы становитесь еще успешнее!

Наши контакты:

Телефон: +7 812 627 14 35

Электронная почта: sales@st-electron.ru

Адрес: 198099, Санкт-Петербург,
Промышленная ул, дом № 19, литера Н,
помещение 100-Н Офис 331