

# Disc Type Capacitors with Lead

## High Voltage Ceramic Capacitors Commercial Grade

### CK45 series

Issue date: February 2013

- All specifications are subject to change without notice.
  - Conformity to RoHS Directive: This means that, in conformity with EU Directive 2002/95/EC, lead, cadmium, mercury, hexavalent chromium, and specific bromine-based flame retardants, PBB and PBDE, have not been used, except for exempted applications.
-

# Disc Type Capacitors with Lead

Conformity to RoHS Directive

## High Voltage Ceramic Capacitors Commercial Grade

### CK45 Series

#### FEATURES

- High voltage ceramic capacitors series higher reliability has been achieved through the use of TDK original dielectric and copper for electrode material due to nice matching of the ceramic dielectrics material for copper for electrode.
- These products shall conform to RoHS Directive due to lead(Pb) free of lead wire and internal solder material.
- Compatible with halogen-free external resin coating.

#### OPERATING TEMPERATURE RANGE: -25 to +105°C

(The maximum operating temperature of 105°C includes capacitor self-generated heat of up to 20°C.)



#### PRODUCT IDENTIFICATION

CK	45	-B	3AD	102	K	Y	N	N	A
(1)	(2)	(3)	(4)	(5)	(6)	(7)	(8)	(9)	(10)

- (1) Type
- (2) Shape
- (3) Temperature characteristics
- (4) Rated voltage
- (5) Nominal capacitance
- (6) Capacitance tolerance
- (7) Class
- (8) Lead type
- (9) General use
- (10) Halogen-free compatible product

#### TEMPERATURE CHARACTERISTICS AND TOLERANCE

Temperature characteristics	Test temperature range	Capacitance tolerance
B ( $\pm 10\%$ )	-25 to +85°C	K ( $\pm 10\%$ )
E (+20, -55%)	-25 to +85°C	Z (+80, -20%)

#### CAPACITANCE AND DIMENSIONS

##### TEMPERATURE CHARACTERISTICS: B ( $\pm 10\%$ )

RATED VOLTAGE Edc: 1kV

Part No.	Capacitance (pF)	Dimensions (mm)				Taping dimensions
		D max.	T max.	F	d	
CK45-B3AD101KY□*NA	100	5.5	5.0	5.0 $\pm$ 1.5	0.6 $\pm$ 0.05	V1
CK45-B3AD151KY□*NA	150	5.5	5.0	5.0 $\pm$ 1.5	0.6 $\pm$ 0.05	V1
CK45-B3AD221KY□*NA	220	5.5	5.0	5.0 $\pm$ 1.5	0.6 $\pm$ 0.05	V1
CK45-B3AD331KY□*NA	330	5.5	5.0	5.0 $\pm$ 1.5	0.6 $\pm$ 0.05	V1
CK45-B3AD471KY□*NA	470	5.5	5.0	5.0 $\pm$ 1.5	0.6 $\pm$ 0.05	V1
CK45-B3AD681KY□*NA	680	5.5	5.0	5.0 $\pm$ 1.5	0.6 $\pm$ 0.05	V1
CK45-B3AD102KY□*NA	1,000	6.0	5.0	5.0 $\pm$ 1.5	0.6 $\pm$ 0.05	V1
CK45-B3AD152KY□*NA	1,500	7.0	5.0	5.0 $\pm$ 1.5	0.6 $\pm$ 0.05	V1
CK45-B3AD222KY□*NA	2,200	8.5	5.0	5.0 $\pm$ 1.5	0.6 $\pm$ 0.05	V1
CK45-B3AD332KY□*NA	3,300	9.5	5.0	5.0 $\pm$ 1.5	0.6 $\pm$ 0.05	V1
CK45-B3AD472KY□*NA	4,700	11.0	5.0	5.0 $\pm$ 1.5	0.6 $\pm$ 0.05	V1

\* □ : Lead shape symbol

RATED VOLTAGE Edc: 2kV

Part No.	Capacitance (pF)	Dimensions (mm)				Taping dimensions
		D max.	T max.	F	d	
CK45-B3DD101KY□*NA	100	5.5	5.0	5.0 $\pm$ 1.5	0.6 $\pm$ 0.05	V1
CK45-B3DD151KY□*NA	150	5.5	5.0	5.0 $\pm$ 1.5	0.6 $\pm$ 0.05	V1
CK45-B3DD221KY□*NA	220	5.5	5.0	5.0 $\pm$ 1.5	0.6 $\pm$ 0.05	V1
CK45-B3DD331KY□*NA	330	5.5	5.0	5.0 $\pm$ 1.5	0.6 $\pm$ 0.05	V1
CK45-B3DD471KY□*NA	470	5.5	5.0	5.0 $\pm$ 1.5	0.6 $\pm$ 0.05	V1
CK45-B3DD681KY□*NA	680	6.5	5.0	5.0 $\pm$ 1.5	0.6 $\pm$ 0.05	V1
CK45-B3DD102KY□*NA	1,000	7.5	5.0	5.0 $\pm$ 1.5	0.6 $\pm$ 0.05	V1
CK45-B3DD152KY□*NA	1,500	8.5	5.0	5.0 $\pm$ 1.5	0.6 $\pm$ 0.05	V1
CK45-B3DD222KY□*NA	2,200	10.0	5.0	5.0 $\pm$ 1.5	0.6 $\pm$ 0.05	V1
CK45-B3DD332KY□*NA	3,300	11.5	5.0	7.5 $\pm$ 1.5	0.6 $\pm$ 0.05	V2
CK45-B3DD472KY□*NA	4,700	14.0	5.0	7.5 $\pm$ 1.5	0.6 $\pm$ 0.05	V2

\* □ : Lead shape symbol

- Conformity to RoHS Directive: This means that, in conformity with EU Directive 2002/95/EC, lead, cadmium, mercury, hexavalent chromium, and specific bromine-based flame retardants, PBB and PBDE, have not been used, except for exempted applications.

- All specifications are subject to change without notice.

## CAPACITANCE AND DIMENSIONS

### TEMPERATURE CHARACTERISTICS: B ( $\pm 10\%$ )

RATED VOLTAGE E<sub>dc</sub>: 3kV

Part No.	Capacitance (pF)	Dimensions (mm)		F	d	Taping dimensions
		D max.	T max.			
CK45-B3FD101KY□*NA	100	5.5	6.0	7.5 $\pm$ 1.5	0.6 $\pm$ 0.05	V2
CK45-B3FD151KY□NA	150	5.5	6.0	7.5 $\pm$ 1.5	0.6 $\pm$ 0.05	V2
CK45-B3FD221KY□NA	220	5.5	6.0	7.5 $\pm$ 1.5	0.6 $\pm$ 0.05	V2
CK45-B3FD331KY□NA	330	6.5	6.0	7.5 $\pm$ 1.5	0.6 $\pm$ 0.05	V2
CK45-B3FD471KY□NA	470	7.0	6.0	7.5 $\pm$ 1.5	0.6 $\pm$ 0.05	V2
CK45-B3FD681KY□NA	680	8.0	6.0	7.5 $\pm$ 1.5	0.6 $\pm$ 0.05	V2
CK45-B3FD102KY□NA	1,000	9.0	6.0	7.5 $\pm$ 1.5	0.6 $\pm$ 0.05	V2
CK45-B3FD152KY□NA	1,500	10.5	6.0	7.5 $\pm$ 1.5	0.6 $\pm$ 0.05	V2
CK45-B3FD222KY□NA	2,200	12.5	6.0	7.5 $\pm$ 1.5	0.6 $\pm$ 0.05	V2

\* □ : Lead shape symbol

### TEMPERATURE CHARACTERISTICS: E (+20, -55%)

RATED VOLTAGE E<sub>dc</sub>: 1kV

Part No.	Capacitance (pF)	Dimensions (mm)		F	d	Taping dimensions
		D max.	T max.			
CK45-E3AD471ZY□*NA	470	5.5	5.0	5.0 $\pm$ 1.5	0.6 $\pm$ 0.05	V1
CK45-E3AD102ZY□NA	1,000	5.5	5.0	5.0 $\pm$ 1.5	0.6 $\pm$ 0.05	V1
CK45-E3AD222ZY□NA	2,200	6.5	5.0	5.0 $\pm$ 1.5	0.6 $\pm$ 0.05	V1
CK45-E3AD472ZY□NA	4,700	8.5	5.0	5.0 $\pm$ 1.5	0.6 $\pm$ 0.05	V1
CK45-E3AD103ZY□NA	10,000	11.5	5.0	7.5 $\pm$ 1.5	0.6 $\pm$ 0.05	V2

\* □ : Lead shape symbol

RATED VOLTAGE E<sub>dc</sub>: 2kV

Part No.	Capacitance (pF)	Dimensions (mm)		F	d	Taping dimensions
		D max.	T max.			
CK45-E3DD471ZY□*NA	470	5.5	5.0	5.0 $\pm$ 1.5	0.6 $\pm$ 0.05	V1
CK45-E3DD102ZY□NA	1,000	6.0	5.0	5.0 $\pm$ 1.5	0.6 $\pm$ 0.05	V1
CK45-E3DD222ZY□NA	2,200	8.0	5.0	5.0 $\pm$ 1.5	0.6 $\pm$ 0.05	V1
CK45-E3DD472ZY□NA	4,700	10.5	5.0	5.0 $\pm$ 1.5	0.6 $\pm$ 0.05	V1
CK45-E3DD103ZY□NA	10,000	14.5	5.0	7.5 $\pm$ 1.5	0.6 $\pm$ 0.05	V3

\* □ : Lead shape symbol

RATED VOLTAGE E<sub>dc</sub>: 3kV

Part No.	Capacitance (pF)	Dimensions (mm)		F	d	Taping dimensions
		D max.	T max.			
CK45-E3FD471ZY□*NA	470	6.0	6.0	7.5 $\pm$ 1.5	0.6 $\pm$ 0.05	V2
CK45-E3FD102ZY□NA	1,000	7.5	6.0	7.5 $\pm$ 1.5	0.6 $\pm$ 0.05	V2
CK45-E3FD222ZY□NA	2,200	9.5	6.0	7.5 $\pm$ 1.5	0.6 $\pm$ 0.05	V2
CK45-E3FD472ZY□NA	4,700	12.5	6.0	7.5 $\pm$ 1.5	0.6 $\pm$ 0.05	V2

\* □ : Lead shape symbol

## LIST OF STANDARD LEAD SHAPES

The lead type is indicated by the letter which is the 15th character of the product name.

Example) TDK Product Name: **CK45-B3AD102KYNNNA**

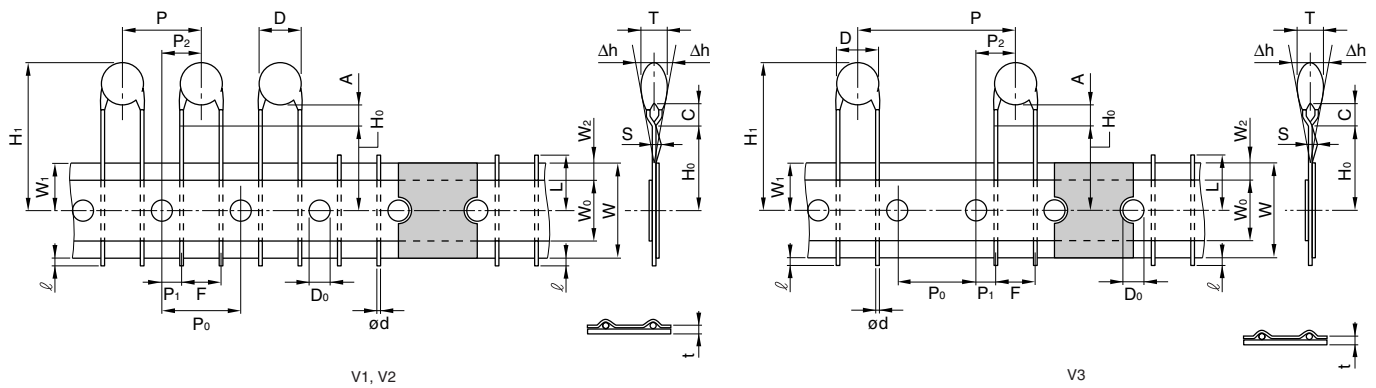
└─N: Lead type (Vertical kink, Short)

	Dimensions in mm		
	Long lead Symbol G	Short lead Symbol N	Taping Symbol V
Vertical kink			

- We recommend using a vertical kink type.
- For bulk products, we recommend a short lead type with the symbol N.

## TAPING DIMENSIONS

### VERTICAL KINK LEAD TYPE



Item	Symbol	Dimensions (mm)			Remarks
		V1	V2	V3	
Body diameter	D	Depends on the specification of each product.			
Body thickness	T	Depends on the specification of each product.			
Lead-wire diameter	ød	0.6±0.05	0.6±0.05	0.6±0.05	
Pitch of component	P	12.7±1.0	15.0±1.0	30.0±1.0	Including the slant of body
Feed hole pitch	P <sub>0</sub>	12.7±0.3	15.0±0.3	15.0±0.3	Excepting the tape splicing part
Feed hole center to lead	P <sub>1</sub>	3.85±0.7	3.75±0.7	3.75±0.7	
Feed hole center to component center	P <sub>2</sub>	6.35±1.3	7.5±1.3	7.5±1.3	
Lead-to lead distance	F	5+0.8, -0.2	7.5±0.8	7.5±0.8	Measuring point is bottom kink
Component alignment	Δh	0±2.0	0±2.0	0±2.0	Including the slanting body due to bending lead-wire
Tape width	W	18.0+1.0, -0.5	18.0+1.0, -0.5	18.0+1.0, -0.5	
Adhesive tape width	W <sub>0</sub>	10.0min.	10.0min.	10.0min.	
Hole position	W <sub>1</sub>	9.0±0.5	9.0±0.5	9.0±0.5	
Adhesive tape position	W <sub>2</sub>	4.0max.	4.0max.	4.0max.	Adhesive tape do not stick out the tape
Bottom of kink from tape center	H <sub>0</sub>	16.0+1.5, -0.5	16.0+1.5, -0.5	16.0+1.5, -0.5	
Height of body from tape center	H <sub>1</sub>	46.0max.	46.0max.	46.0max.	
Lead-wire protrusion	ℓ	1.0max.	1.0max.	1.0max.	
Feed hole diameter	D <sub>0</sub>	4.0±0.2	4.0±0.2	4.0±0.2	
Total tape thickness	t	0.6±0.3	0.6±0.3	0.6±0.3	Including adhesive tape
Length of snapped lead	L	11.0max.	11.0max.	11.0max.	
Coating on lead	C	4.0max.	4.0max.	4.0max.	
Height of kink	A	4.0max.	4.0max.	4.0max.	Measuring point is bottom kink
Spring action	S	2.0max.	2.0max.	2.0max.	

• For more information about products with other capacitance or other data, please contact us.

• All specifications are subject to change without notice.



## Стандарт Электрон Связь

Мы молодая и активно развивающаяся компания в области поставок электронных компонентов. Мы поставляем электронные компоненты отечественного и импортного производства напрямую от производителей и с крупнейших складов мира.

Благодаря сотрудничеству с мировыми поставщиками мы осуществляем комплексные и плановые поставки широчайшего спектра электронных компонентов.

Собственная эффективная логистика и склад в обеспечивает надежную поставку продукции в точно указанные сроки по всей России.

Мы осуществляем техническую поддержку нашим клиентам и предпродажную проверку качества продукции. На все поставляемые продукты мы предоставляем гарантию .

Осуществляем поставки продукции под контролем ВП МО РФ на предприятия военно-промышленного комплекса России , а также работаем в рамках 275 ФЗ с открытием отдельных счетов в уполномоченном банке. Система менеджмента качества компании соответствует требованиям ГОСТ ISO 9001.

Минимальные сроки поставки, гибкие цены, неограниченный ассортимент и индивидуальный подход к клиентам являются основой для выстраивания долгосрочного и эффективного сотрудничества с предприятиями радиоэлектронной промышленности, предприятиями ВПК и научно-исследовательскими институтами России.

С нами вы становитесь еще успешнее!

### Наши контакты:

**Телефон:** +7 812 627 14 35

**Электронная почта:** [sales@st-electron.ru](mailto:sales@st-electron.ru)

**Адрес:** 198099, Санкт-Петербург,  
Промышленная ул, дом № 19, литера Н,  
помещение 100-Н Офис 331