

PLEASE CHECK WWW.MOLEX.COM FOR LATEST PART INFORMATION

Part Number: [0758612104](#)
Status: **Active**
Overview: [gbx_backplane_connector_system](#)
Description: 1.85mm by 1.85mm (.073" by .073") Pitch 2-Pair GbX® Backplane L-Series Connector System, Left Guide Header, 50 Circuits, Gold (Au) 0.76µm (30µ"), Pin Length 4.55mm (.179")

Documents:

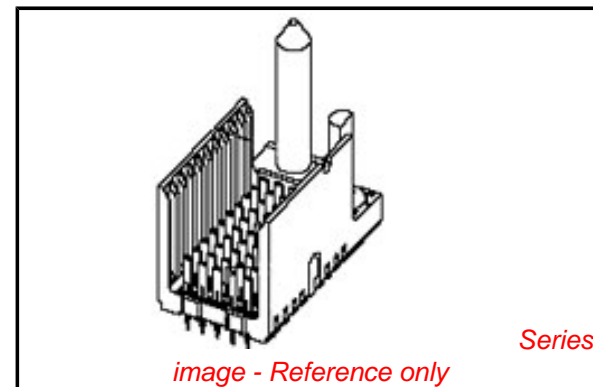
[Drawing \(PDF\)](#) [RoHS Certificate of Compliance \(PDF\)](#)
[Product Specification PS-75221-999 \(PDF\)](#)

General

Product Family	Backplane Connectors
Series	75861
Application	Backplane
Application Tooling Documents	Tooling Manual
Comments	Left Guide Header, No Keying Postion
Component Type	PCB Header
Overview	gbx_backplane_connector_system
Product Name	GbX®
Style	N/A

Physical

Circuits (Loaded)	50
Circuits (maximum)	50
Color - Resin	Gray (Dark)
Durability (mating cycles max)	200
First Mate / Last Break	No
Guide to Mating Part	Yes
Keying to Mating Part	None
Material - Metal	High Performance Alloy (HPA), Stainless Steel
Material - Plating Mating	Gold
Material - Plating Termination	Tin-Lead
Material - Resin	High Temperature Thermoplastic
Number of Columns	10
Number of Pairs	2
Number of Rows	5
Orientation	Vertical
PC Tail Length (in)	0.087 In
PC Tail Length (mm)	2.20 mm
PCB Locator	No
PCB Retention	Yes
PCB Thickness Recommended (in)	0.063 In
PCB Thickness Recommended (mm)	1.60 mm
Packaging Type	Tube
Pitch - Mating Interface (in)	0.073 In
Pitch - Mating Interface (mm)	1.85 mm
Pitch - Term. Interface (in)	0.073 In
Pitch - Term. Interface (mm)	1.85 mm
Plating min: Mating (µin)	30
Plating min: Mating (µm)	0.76
Plating min: Termination (µin)	30
Plating min: Termination (µm)	0.76
Polarized to PCB	No
Stackable	No



EU RoHS

RoHS Compliant by Exemption
REACH SVHC
 Not Reviewed
Halogen-Free
Status
Not Reviewed

China RoHS



Need more information on product environmental compliance?

Email productcompliance@molex.com
 For a multiple part number RoHS Certificate of Compliance, [click here](#)

Please visit the [Contact Us](#) section for any non-product compliance questions.

Search Parts in this Series

[75861Series](#)

Mates With

[75676 Gbx Hybrid Daughtercard](#). [75671 GbX® L-Series Daughtercard](#)

Application Tooling | FAQ

Tooling specifications and manuals are found by selecting the products below. Crimp Height Specifications are then contained in the Application Tooling Specification document.

Global

Description	Product #
GbX® 2 Pair by 10 Wide L Series Insertion Module	0622022450

Surface Mount Compatible (SMC)	Yes
Temperature Range - Operating	105°C
Termination Interface: Style	Through Hole - Compliant Pin

Electrical

Current - Maximum per Contact	1A
Data Rate	8.0 Gbps
Real Signals (per 25mm)	67
Shielded	No
Voltage - Maximum	120V AC (RMS)/DC

Material Info

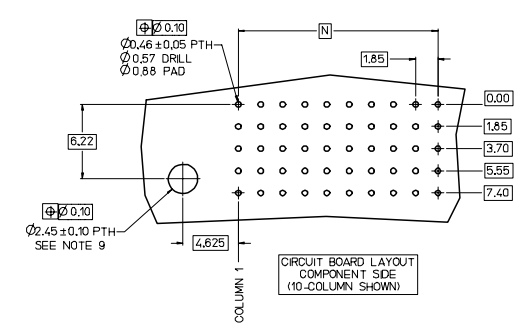
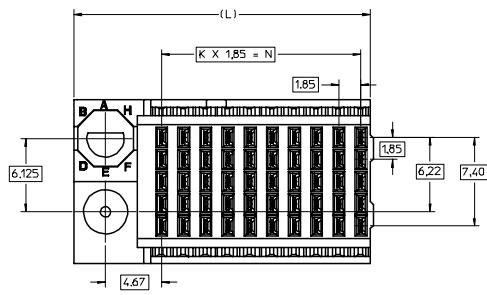
Reference - Drawing Numbers

Packaging Specification	PK-70873-5058
Product Specification	PS-75221-999
Sales Drawing	SD-75861-210

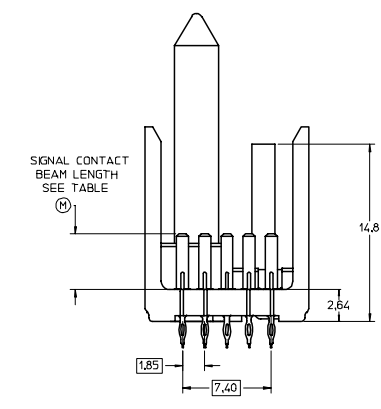
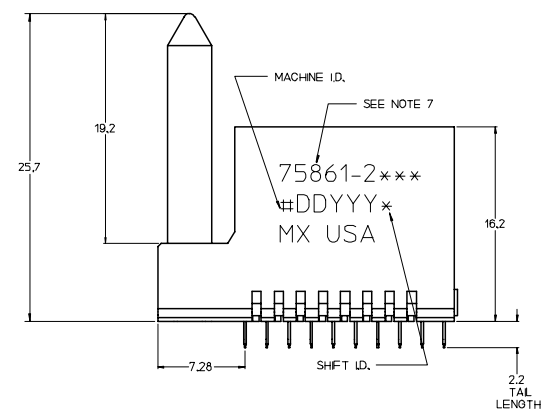
GbX is a registered trademark of Amphenol Corporation.

This document was generated on 05/14/2010

PLEASE CHECK WWW.MOLEX.COM FOR LATEST PART INFORMATION



CIRCUIT BOARD LAYOUT
COMPONENT SIDE
(10-COLUMN SHOWN)



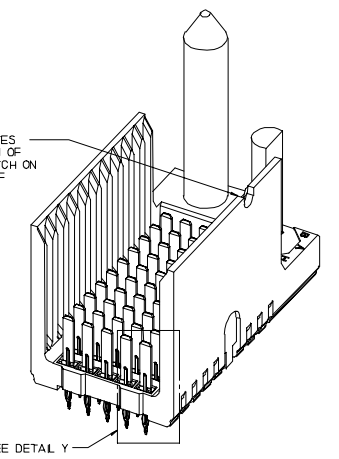
75861-2***

COLUMN	SIGNAL LENGTH
21 = 10	3 = 3.85mm (30 H Au)
22 = 25	4 = 4.85mm (30 H Au)
25 = 5	5 = 5.85mm (30 H Au)
	7 = 3.85mm (50 H Au)
	8 = 4.85mm (50 H Au)
	9 = 5.85mm (50 H Au)

KEYING POSITION
0 = NONE
1 = A
2 = B
ETC.

CONFIGURATION			
ASSEMBLY NO.	K	N	(L)
75861-25**	4	7.40	15.53
75861-21**	9	16.85	24.78
75861-22**	24	44.40	52.53

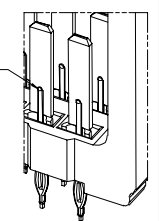
NOTCH DESIGNATES APPROX. POSITION OF AL. ARCH & NOTCH ON OPPOSITE SIDE OF PART MARKING



SEE DETAIL Y

P/N	-**0*	-**1*	-**2*	-**3*	-**4*	-**5*	-**6*	-**7*	-**8*
75861-1)	0	A	B	C	D	E	F	G	H
KEYING PIN ORIENTATION									

MATING SIDE OF SIGNAL IRB SIDE OF CONTACT



- NOTES:
- MATERIAL: HOUSING - LIQUID CRYSTAL POLYMER (LCP), GLASS-FILLED UL 94V-0, GRAY, SIGNAL CONTACTS - HIGH PERFORMANCE COPPER ALLOY.
 - FINISHES: SELECTIVE GOLD (Au) ON CONTACT AREA, SELECTIVE TIN/LEAD (Sn/Pb) ON TAIL AREA, NICKEL (Ni) OVERALL.
 - 10-COLUMN ASSEMBLY SHOWN AS REFERENCE. SEE TABLE AND CHART FOR OTHER OPTIONS.
 - PARTS PACKAGED PER PK-70873-5058.
 - THIS PART CONFORMS TO MOLEX PRODUCT SPECIFICATION PS-75221-999.
 - FOR MIXED CONTACT MATING LENGTH CONSULT MOLEX.
 - EITHER MARK PART NUMBER AND DATE CODE APPROXIMATELY WHERE SHOWN OR PLACE A LABEL ON THE TUBE.
 - MINIMUM CIRCUIT BOARD THICKNESS: 1.6
 - OPTIONAL HOLE LOCATION FOR GROUNDED GUIDE PIN OR FOR ADDITIONAL GUIDE PIN SUPPORT. HOLE TO BE PLATED, DRILL SIZE $\varnothing 2.58$, PAD SIZE $\varnothing 5.50$
 - THESE PARTS CONFORM TO MOLEX COSMETIC SPECIFICATION PS-45499-002 CLASS B.

REVISED EC NO: UCP2007-2780 DRAWN: JB INGHAM CHKD: CHKCD APPR: SREED 2007/05/02 2007/05/02 2007/05/02	QUALITY SYMBOLS	GENERAL TOLERANCES (UNLESS SPECIFIED)	DIMENSION STYLE	SCALE	DESIGN UNITS	ANGLE	PROJECTION																														
	$\nabla=0$ $\nabla=0$	<table border="1"> <tr> <th></th> <th>mm</th> <th>INCH</th> </tr> <tr> <td>4 PLACES</td> <td>± ---</td> <td>± ---</td> </tr> <tr> <td>3 PLACES</td> <td>± ---</td> <td>± ---</td> </tr> <tr> <td>2 PLACES</td> <td>± ---</td> <td>± ---</td> </tr> <tr> <td>1 PLACE</td> <td>± ---</td> <td>± ---</td> </tr> <tr> <td>ANGULAR</td> <td>± ---</td> <td>± ---</td> </tr> </table>		mm	INCH	4 PLACES	± ---	± ---	3 PLACES	± ---	± ---	2 PLACES	± ---	± ---	1 PLACE	± ---	± ---	ANGULAR	± ---	± ---	<table border="1"> <tr> <th>DRAWN BY</th> <th>DATE</th> </tr> <tr> <td>JB INGHAM</td> <td>2006/02/06</td> </tr> <tr> <th>CHECKED BY</th> <th>DATE</th> </tr> <tr> <td>KMULVEY</td> <td>2006/02/06</td> </tr> <tr> <th>APPROVED BY</th> <th>DATE</th> </tr> <tr> <td>SREED</td> <td>2006/02/06</td> </tr> </table>	DRAWN BY	DATE	JB INGHAM	2006/02/06	CHECKED BY	DATE	KMULVEY	2006/02/06	APPROVED BY	DATE	SREED	2006/02/06	5:1	METRIC	<input checked="" type="checkbox"/> FIRST ANGLE <input type="checkbox"/> THIRD ANGLE	TITLE GBX 2-PAIR L-SERIES LEFT END BACKPLANE SALES ASSEMBLY DRAWING
		mm	INCH																																		
4 PLACES	± ---	± ---																																			
3 PLACES	± ---	± ---																																			
2 PLACES	± ---	± ---																																			
1 PLACE	± ---	± ---																																			
ANGULAR	± ---	± ---																																			
DRAWN BY	DATE																																				
JB INGHAM	2006/02/06																																				
CHECKED BY	DATE																																				
KMULVEY	2006/02/06																																				
APPROVED BY	DATE																																				
SREED	2006/02/06																																				
DRAFT WHERE APPLICABLE MUST REMAIN WITHIN DIMENSIONS	SEE CHART SIZE D	MATERIAL NO. DOCUMENT NO. SD-75861-210	MOLEX MOLEX INCORPORATED	SHEET NO. 1 OF 1																																	

THIS DRAWING CONTAINS INFORMATION THAT IS PROPRIETARY TO MOLEX INCORPORATED AND SHOULD NOT BE USED WITHOUT WRITTEN PERMISSION



Стандарт Электрон Связь

Мы молодая и активно развивающаяся компания в области поставок электронных компонентов. Мы поставляем электронные компоненты отечественного и импортного производства напрямую от производителей и с крупнейших складов мира.

Благодаря сотрудничеству с мировыми поставщиками мы осуществляем комплексные и плановые поставки широчайшего спектра электронных компонентов.

Собственная эффективная логистика и склад в обеспечивает надежную поставку продукции в точно указанные сроки по всей России.

Мы осуществляем техническую поддержку нашим клиентам и предпродажную проверку качества продукции. На все поставляемые продукты мы предоставляем гарантию .

Осуществляем поставки продукции под контролем ВП МО РФ на предприятия военно-промышленного комплекса России , а также работаем в рамках 275 ФЗ с открытием отдельных счетов в уполномоченном банке. Система менеджмента качества компании соответствует требованиям ГОСТ ISO 9001.

Минимальные сроки поставки, гибкие цены, неограниченный ассортимент и индивидуальный подход к клиентам являются основой для выстраивания долгосрочного и эффективного сотрудничества с предприятиями радиоэлектронной промышленности, предприятиями ВПК и научно-исследовательскими институтами России.

С нами вы становитесь еще успешнее!

Наши контакты:

Телефон: +7 812 627 14 35

Электронная почта: sales@st-electron.ru

Адрес: 198099, Санкт-Петербург,
Промышленная ул, дом № 19, литера Н,
помещение 100-Н Офис 331