

## 5V, 5-BITS VIDEO EXCHANGE SWITCH FOR DUAL VGA SOURCE TO SINK -2V UNDERSHOOT PROTECTION WITH LOW ON-STATE RESISTANCE

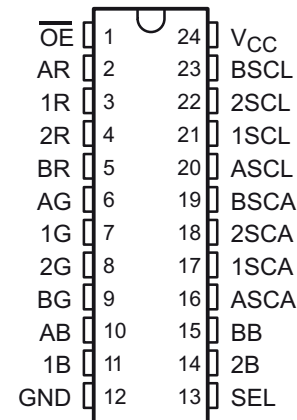
Check for Samples: [TS5V522C](#)

### FEATURES

- Bidirectional Data Flow, With Near-Zero Propagation Delay
- High Bandwidth, 380MHZ (typ) RGB Switching
- Low ON-State Resistance (ron) Characteristics (ron =3 Ω Typical)
- Low Input/Output Capacitance Minimizes Loading and Signal Distortion (CIO(OFF) = 8pF Typical)
- Undershoot Clamp Diodes on Data and Control Inputs.
- Low Power Consumption (Icc = 3uA Max.)
- Vcc Operation Range from 4V to 5.5V
- Data I/Os Support 0 to 5-V Signaling Levels (0.8V, 1.2V, 1.5V, 1.8V, 2.5V, 3.3V, 4V)
- Allow to pull up resistor up to 5V on the I/O
- I<sub>off</sub> Supports Live Insertion, Partial Power Down Mode, and Back Drive Protection
- Latch-Up Performance Exceeds 100Ma Per JESD 78, Class II.
- ESD Performance Tested Per JESD 22
  - 2000-V Human-Body Model (A114-B, Class II)
  - 200-V Machine Model (A115-A)
  - 1000-V Charged-Device Model (C101)

### APPLICATIONS

- Digital and Analog Signal Interface
- Audio and Video Signal Interface
- High Speed Signal Bus Exchange
- Bus Isolation, Interleaving
- Notebook Computer Graphics Control



### DESCRIPTION

The TS5V522C is high bandwidth analog switches offering a 2:2 dual-graphics crossover solution for VGA signal switching. The device is designed for switching between 2 VGA sources to either of the two destinations within a laptop computer. The TS5V522C integrates 5 very high-frequency 380Mhz (typ) SPDT switches for RGB signals, 2 pairs of level-translating buffer for the HSYNC and VSYNC lines, and integrated ESD protection. The 5 crossover switches can be controlled by either 5V or 3.3V TTL control signals.

The TS5V522C would bypass the VGA analog signal to destination with less distortions. DDC Channel (SCA, SCL) may require to +5Vopen drain level at the VGA connector and it may require a pull up resistor on the destination side. Active undershoot-protection circuitry on the data ports of the TS5V522C provide protection for undershoots up to -2V by sensing an undershoot event and ensuring that the switch remains in the proper off state.

To ensure the high-impedance state during power up or power down,  $\overline{OE}$  should be tied to V<sub>CC</sub> through a pull up resistor; the minimum value of the resistor is determined by the current-sinking capability of the driver.



Please be aware that an important notice concerning availability, standard warranty, and use in critical applications of Texas Instruments semiconductor products and disclaimers thereto appears at the end of this data sheet.



These devices have limited built-in ESD protection. The leads should be shorted together or the device placed in conductive foam during storage or handling to prevent electrostatic damage to the MOS gates.


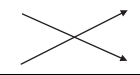
**ORDERING INFORMATION<sup>(1)</sup>**

$T_A$	PACKAGE <sup>(2)</sup>		ORDERABLE PART NUMBER	TOP-SIDE MARKING
–40°C to 85°C	SSOP (QSOP) – DBQ	Tape and Reel	TS5V522CDBQR	TS5V522C
	TSSOP – PW	Tape and Reel	TS5V522CPWR	TE522C

(1) For the most current package and ordering information, see the Package Option Addendum at the end of this document, or see the TI Web site at [www.ti.com](http://www.ti.com).

(2) Package drawings, thermal data, and symbolization are available at [www.ti.com/packaging](http://www.ti.com/packaging).

**Table 1. FUNCTION TABLE**

CONTROL		INPUT/OUTPUTS		FUNCTIONS	
$\overline{OE}$	SEL	1 X	2 X		
L	L	A X	B X	1X port = AX port 2x port = BX port	
L	H	B X	A X	1X port = BX port 2x port = AX port	
H	X	Z	Z	Disconnect	

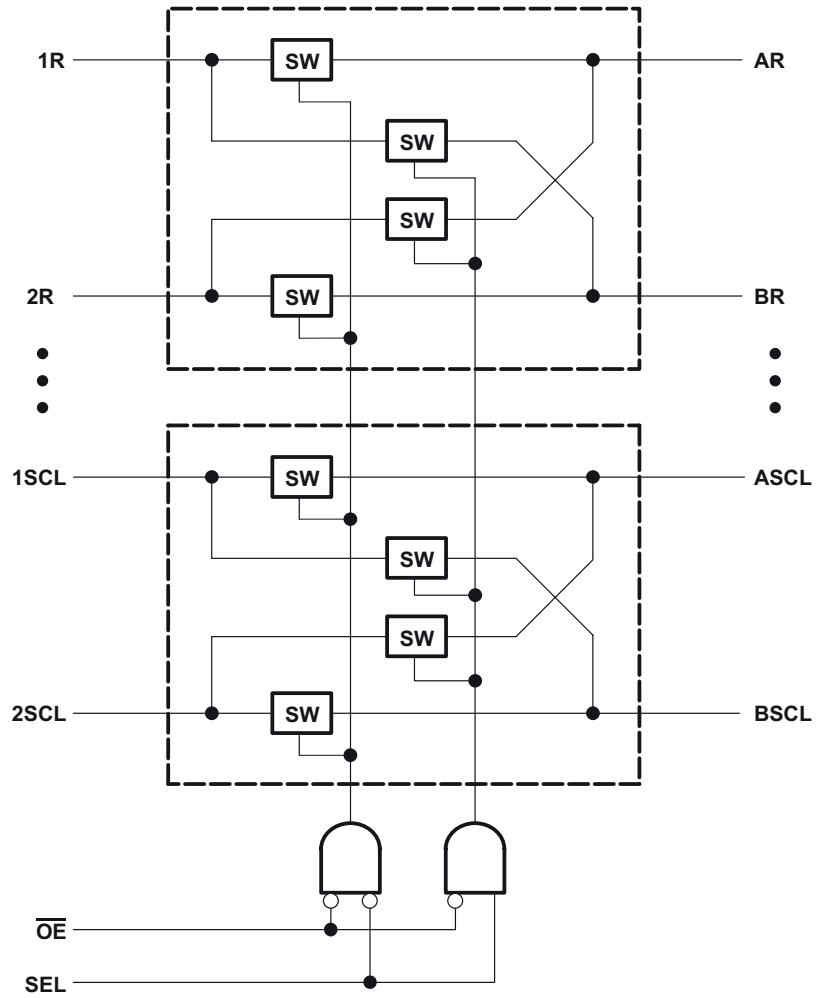
**Table 2. PIN DESCRIPTION**

PIN NAME	DESCRIPTION
xR, xG, xB	Analog Video I/Os
xSCL, xSCA	Analog sync I/Os
$\overline{OE}$	Enable pin
$\overline{EN}$	Input select

**PARAMETER DEFINITIONS**

PARAMETER	DESCRIPTION
$r_{ON}$	Resistance between the input and output ports with the switch in the ON-state
$I_{OZ}$	Output leakage current measured at the D and S ports with the switch in the OFF-state
$I_{OS}$	Short circuit current measured at the I/O pins.
$V_{IN}$	Voltage at the IN pin
$V_{EN}$	Voltage at the $\overline{EN}$ pin
$C_{IN}$	Capacitance at the control inputs ( $\overline{EN}$ , IN)
$C_{OFF}$	Capacitance at the analog I/O port when the switch is OFF
$C_{ON}$	Capacitance at the analog I/O port when the switch is ON
$V_{IH}$	Minimum input voltage for logic high for the control inputs ( $\overline{EN}$ , IN)
$V_{IL}$	Minimum input voltage for logic low for the control inputs ( $\overline{EN}$ , IN)
$V_H$	Hysteresis voltage at the control inputs ( $\overline{EN}$ , IN)
$V_{IK}$	I/O and control inputs diode clamp voltage ( $\overline{EN}$ , IN)
$V_I$	Voltage applied to the I/O pins when I/O is the switch input.
$V_O$	Voltage applied to the I/O pins when I/O is the switch output.
$I_{IH}$	Input high leakage current of the control inputs ( $\overline{EN}$ , IN)
$I_{IL}$	Input low leakage current of the control inputs ( $\overline{EN}$ , IN)
$I_I$	Current into the I/O pins when I/O is the switch input.
$I_O$	Current into the I/O pins when I/O is the switch output.
$I_{off}$	Output leakage current measured at the I/O ports with $V_{CC} = 0$
$t_{ON}$	Propagation delay measured between 50% of the digital input to 90% of the analog output when switch is turned ON.
$t_{OFF}$	Propagation delay measured between 50% of the digital input to 90% of the analog output when switch is turned OFF.
BW	Frequency response of the switch in the ON-state measured at –3 dB
$X_{TALK}$	Unwanted signal coupled from channel to channel. Measured in –dB. $X_{TALK} = 20 \text{ LOG } V_{OUT}/V_{IN}$ . This is a non-adjacent crosstalk.
$O_{IRR}$	Off-isolation is the resistance (measured in –dB) between the input and output with the switch OFF.
$D_G$	Magnitude variation between analog input and output pins when the switch is ON and the DC offset of composite video signal varies at the analog input pin. In NTSC standard the frequency of the video signal is 3.58 MHz and DC offset is from 0 to 0.714 V.
$D_P$	Phase variation between analog input and output pins when the switch is ON and the DC offset of composite video signal varies at the analog input pin. In NTSC standard the frequency of the video signal is 3.58 MHz and DC offset is from 0 to 0.714 V.
$I_{CC}$	Static power supply current
$I_{CCD}$	Variation of $I_{CC}$ for a change in frequency in the control inputs ( $\overline{EN}$ , IN)
$\Delta I_{CC}$	This is the increase in supply current for each control input that is at the specified voltage level, rather than $V_{CC}$ or GND.

LOGIC DIAGRAM (XX GATE)



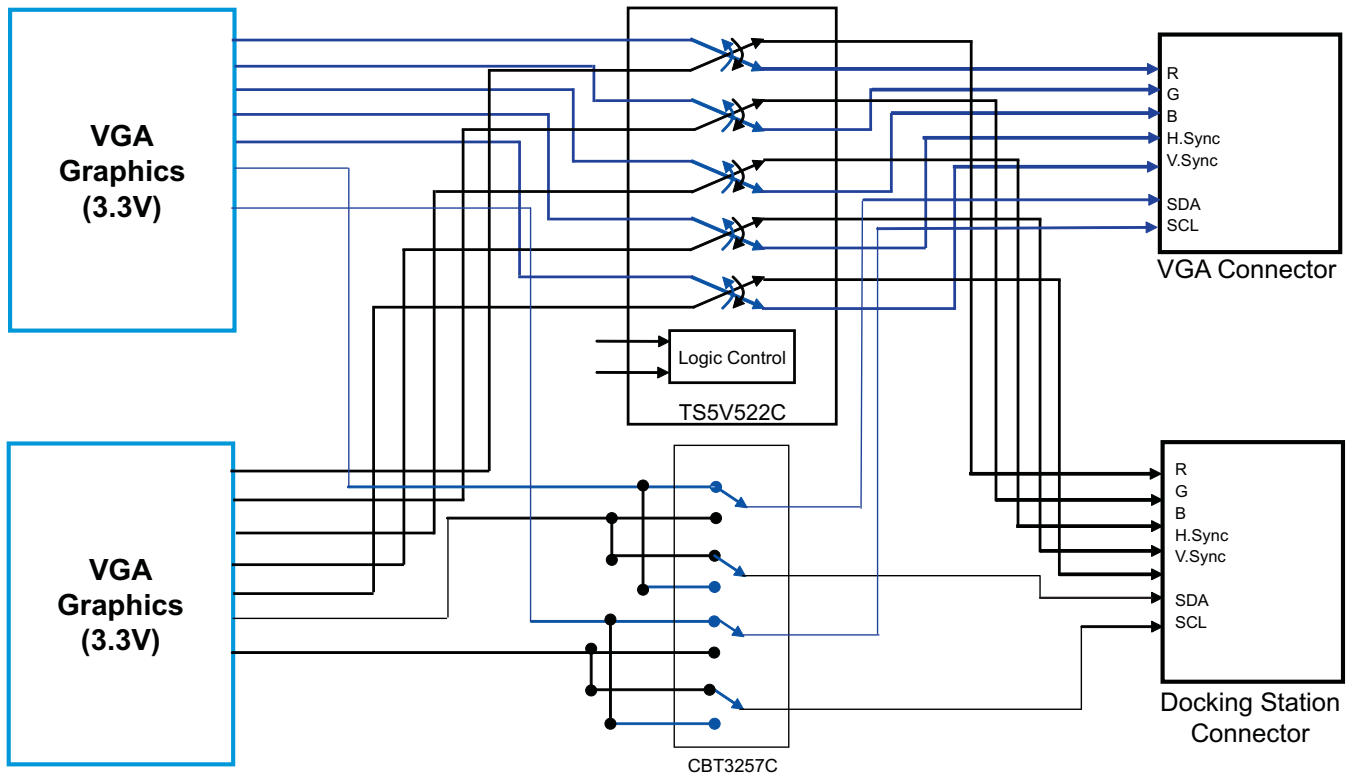
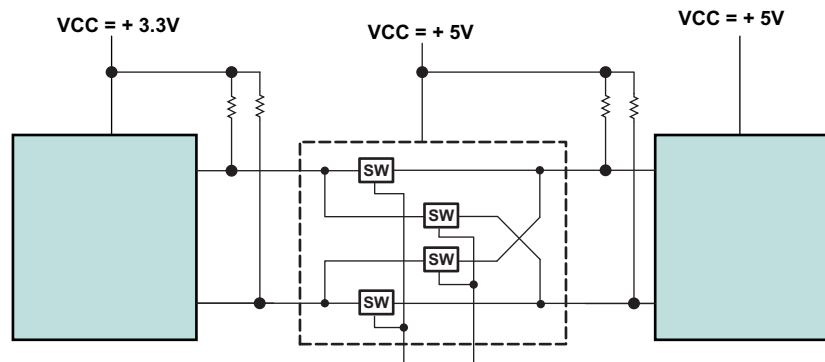


Figure 1. Typical Design Examples for Dual VGA Source Signal Exchange



Design Notes:

1. DDC (SCL,SDA) is open drain I<sup>2</sup>C Bus type and need pull up resistors. N-Channel FET Switch allow to pull up desired Vcc Level not exceeding the Vcc of FET Switch
2. VGA (H.Sync, V.Sync) are TTL/CMOS Type from the source of V ideo and it may required pull up to achieve as high as 5V Signal level to meet VGA Specifications too.

Figure 2. Typical Design Example for Level Shifting with N-Channel FET Switch

# TS5V522C

SCDS317 –MARCH 2011

[www.ti.com](http://www.ti.com)

## ABSOLUTE MAXIMUM RATINGS<sup>(1)</sup>

over operating free-air temperature range (unless otherwise noted)

		MIN	MAX	UNIT
V <sub>CC</sub>	Supply voltage range	-0.5	7	V
V <sub>IN</sub>	Control input voltage range <sup>(2)(3)</sup>	-0.5	7	V
V <sub>I/O</sub>	Output voltage range <sup>(2)(3)(4)</sup>	-0.5	7	V
I <sub>IK</sub>	Control input clamp current	V <sub>IN</sub> < 0	-50	mA
I <sub>I/OK</sub>	I/O port clamp current	V <sub>I/O</sub> < 0	-50	mA
I <sub>I/O</sub>	ON-state switch current <sup>(5)</sup>		±128	mA
	Continuous current through V <sub>CC</sub> or GND		±100	mA
T <sub>stg</sub>	Storage temperature range	-65	150	°C

- (1) Stresses beyond those listed under "Absolute Maximum Ratings" may cause permanent damage to the device. These are stress ratings only, and functional operation of the device at these or any other conditions beyond those indicated under "Recommended Operating Conditions" is not implied. Exposure to absolute-maximum-rated conditions for extended periods may affect device reliability.
- (2) All input and output negative voltages are with respect to ground unless otherwise specified.
- (3) The input and output voltage ratings may be exceeded if the input and output clamp-current ratings are observed.
- (4) V<sub>I</sub> and V<sub>O</sub> are used to denote specific conditions for V<sub>I/O</sub>.
- (5) I<sub>I</sub> and I<sub>O</sub> are used to denote specific conditions of I<sub>I/O</sub>.

## THERMAL IMPEDANCE RATINGS

over operating free-air temperature range (unless otherwise noted)

			UNIT
θ <sub>JA</sub>	Package thermal impedance	DBQ package <sup>(1)</sup>	90
		PW package <sup>(1)</sup>	108
			°C/W

- (1) The package thermal impedance is calculated in accordance with JESD 51-7.

## RECOMMENDED OPERATING CONDITIONS<sup>(1)</sup>

over operating free-air temperature range (unless otherwise noted)

		MIN	MAX	UNIT
V <sub>CC</sub>	Supply voltage	4	5.5	V
V <sub>IH</sub>	High-level control input voltage ( $\overline{EN}$ , IN)	2	5.5	V
V <sub>IL</sub>	Low-level control input voltage ( $\overline{EN}$ , IN)	0	0.8	V
V <sub>ANALOG</sub>	Analog input/output voltage	0	V <sub>CC</sub>	V
T <sub>A</sub>	Operating free-air temperature	-40	85	V

- (1) All unused control inputs of the device must be held at V<sub>CC</sub> or GND to ensure proper device operation. Refer to the TI application report, *Implication of slow or Floating CMOS Inputs*, literature number [SCBA004](#).

**ELECTRICAL CHARACTERISTICS<sup>(1)</sup>**

over recommended operating free-air temperature range (unless otherwise noted)

PARAMETER		TEST CONDITIONS			MIN	TYP <sup>(2)</sup>	MAX	UNIT
V <sub>IK</sub>	$\overline{\text{EN}}$ , IN	V <sub>CC</sub> = 4.5 V,	I <sub>IN</sub> = -18 mA				-1.8	V
V <sub>H</sub>	$\overline{\text{EN}}$ , IN						400	mV
I <sub>IH</sub>	$\overline{\text{EN}}$ , IN	V <sub>CC</sub> = 5.5 V,	V <sub>IN</sub> and V <sub>EN</sub> = V <sub>CC</sub>				±1	µA
I <sub>IL</sub>	$\overline{\text{EN}}$ , IN	V <sub>CC</sub> = 5.5 V,	V <sub>IN</sub> and V <sub>EN</sub> = GND				±1	µA
I <sub>OZ</sub> <sup>(3)</sup>		V <sub>CC</sub> = 5.5 V,	V <sub>O</sub> = 0 to 5.5 V, V <sub>I</sub> = 0,	Switch OFF			±10	µA
I <sub>OS</sub>		V <sub>CC</sub> = 5.5 V,	V <sub>O</sub> = 0 to 5.5 V, V <sub>I</sub> = 0,	Switch ON			±110	mA
I <sub>off</sub>		V <sub>CC</sub> = 0 V,	V <sub>O</sub> = 0 to 5.5 V, V <sub>I</sub> = 0				±1	µA
I <sub>CC</sub>		V <sub>CC</sub> = 5.5 V,	I <sub>I/O</sub> = 0,	Switch ON or OFF			3	µA
ΔI <sub>CC</sub>	$\overline{\text{EN}}$ , IN	V <sub>CC</sub> = 5.5 V,	One input at 3.4 V,	Other Inputs at V <sub>CC</sub> or GND			2.5	mA
I <sub>CCD</sub>		V <sub>CC</sub> = 5.5 V, V <sub>EN</sub> = GND,	I/O ports are open,	V <sub>IN</sub> switching 50% duty cycle			0.25	mA/MHz
C <sub>in</sub>	$\overline{\text{EN}}$ , IN	V <sub>IN</sub> or V <sub>EN</sub> = 0 V,	f = 1 MHz				3.5	pF
C <sub>OFF</sub>	D port	V <sub>I/O</sub> = 3 V or 0 V,	Switch OFF,	V <sub>IN</sub> = V <sub>CC</sub> or GND			8.5	pF
	S port		Switch ON,				5.5	
C <sub>ON</sub>		V <sub>I</sub> = 0 V,	f = 1MHz, output open,	Switch ON			16.5	pF
r <sub>ON</sub> <sup>(4)</sup>		V <sub>CC</sub> = 4.5 V,	V <sub>I</sub> = 1 V,	I <sub>O</sub> = 13 mA, R <sub>L</sub> = 75Ω			3	Ω
			V <sub>I</sub> = 2 V,	I <sub>O</sub> = 26 mA, R <sub>L</sub> = 75Ω			3	

(1) V<sub>I</sub>, V<sub>O</sub>, I<sub>I</sub>, and I<sub>O</sub> refer to the I/O pins.

(2) All typical values are at V<sub>CC</sub> = 5 V (unless otherwise noted). T<sub>A</sub> = 25°C

(3) For I/O ports, the parameter I<sub>OZ</sub> includes the input leakage current.

(4) Measured by the voltage drop between the D and S terminals at the indicated current through the switch. ON-state resistance is determined by the lower of the voltages of the two (S or D) terminals.

**SWITCHING CHARACTERISTICS**

over operating free-air temperature range (unless otherwise noted), see [Figure 9](#)

PARAMETER	FROM (INPUT)	TO (OUTPUT)	MIN	TYP	MAX	UNIT
t <sub>ON</sub>	S	D	1		6.6	ns
t <sub>OFF</sub>	S	D	1		6.0	ns

**DYNAMIC CHARACTERISTICS**

over recommended operating free-air temperature range, V<sub>CC</sub> = 5 V ±10% (unless otherwise noted)

PARAMETER	TEST CONDITIONS	MIN	TYP <sup>(1)</sup>	MAX	UNIT
D <sub>G</sub>	R <sub>L</sub> = 150 Ω, f = 3.58 MHz, see <a href="#">Figure 10</a>		0.37		%
D <sub>P</sub>	R <sub>L</sub> = 150 Ω, f = 3.58 MHz, see <a href="#">Figure 10</a>		0.0330		Deg
B <sub>W</sub>	R <sub>L</sub> = 150 Ω, see <a href="#">Figure 11</a>		380		MHz
X <sub>TALK</sub>	R <sub>IN</sub> = 10 Ω, R <sub>L</sub> = 150 Ω, f = 10 MHz, see <a href="#">Figure 11</a>		-83		dB
O <sub>IRR</sub>	R <sub>L</sub> = 150 Ω, f = 10 MHz, see <a href="#">Figure 11</a>		-44		dB

(1) All typical values are at V<sub>CC</sub> = 5V (unless otherwise noted). T<sub>A</sub> = 25°C.

# TS5V522C

SCDS317 –MARCH 2011

www.ti.com

over recommended operating free-air temperature range,  $V_{CC} = 5\text{ V} \pm 10\%$  (unless otherwise noted)

PARAMETER	TEST CONDITIONS	MIN	TYP <sup>(1)</sup>	MAX	UNIT
$D_G$	$R_L = 75\ \Omega$ , $f = 3.58\text{ MHz}$ , see <a href="#">Figure 10</a>		0.37		%
$D_P$	$R_L = 75\ \Omega$ , $f = 3.58\text{ MHz}$ , see <a href="#">Figure 10</a>		0.0330		Deg
$B_W$	$R_L = 75\ \Omega$ , see <a href="#">Figure 11</a>		330		MHz
$X_{TALK}$	$R_{IN} = 10\ \Omega$ , $R_L = 150\ \Omega$ , $f = 10\text{ MHz}$ , see <a href="#">Figure 11</a>		-83		dB
$O_{IRR}$	$R_L = 75\ \Omega$ , $f = 10\text{ MHz}$ , see <a href="#">Figure 11</a>		-44		dB

(1) All typical values are at  $V_{CC} = 5\text{ V}$  (unless otherwise noted).  $T_A = 25^\circ\text{C}$ .

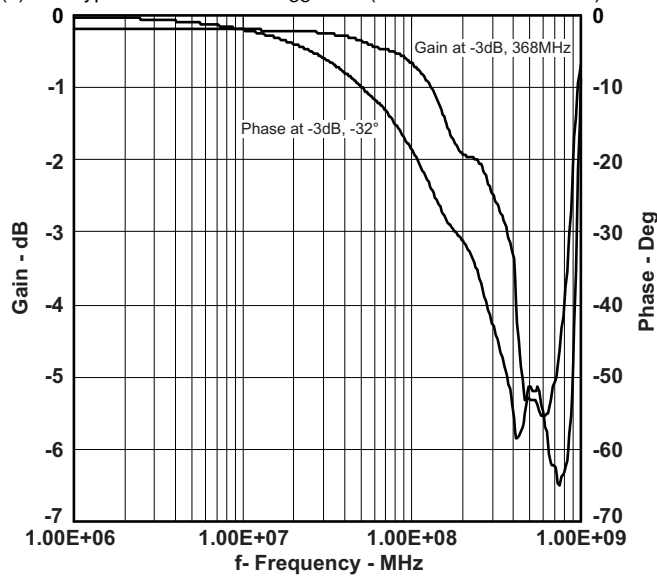


Figure 3. Frequency Response

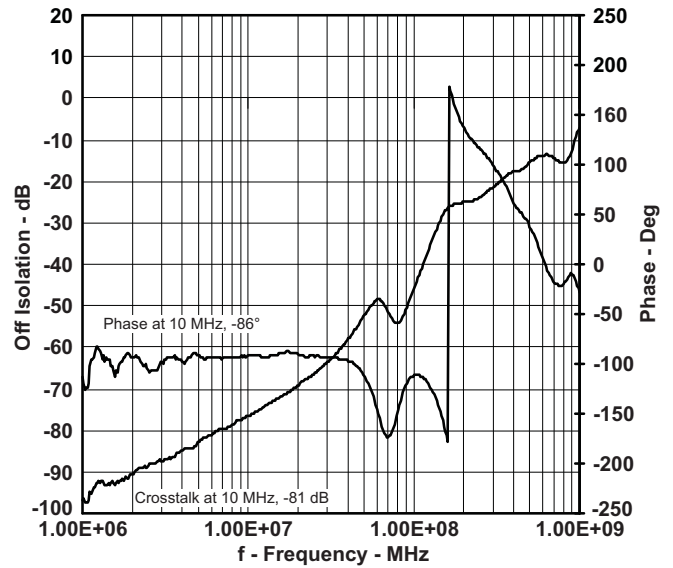


Figure 4. Non-adjacent Crosstalk vs Frequency

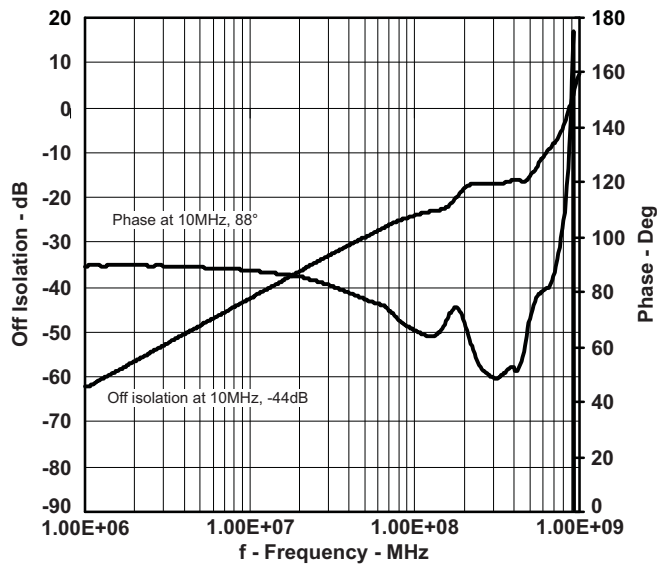


Figure 5. Off Isolation vs Frequency

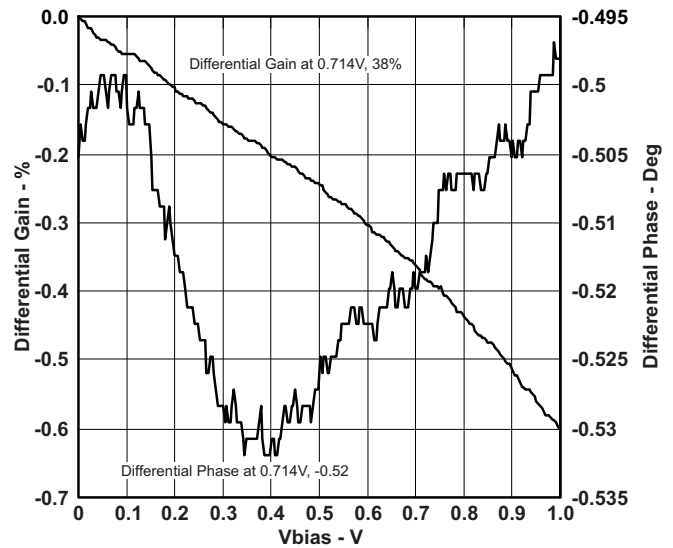


Figure 6. Differential Phase/Gain vs Vbias



Table 3. UNDERSHOOT CHARACTERISTICS (see Figure 7 and Figure 8)

PARAMETER	TEST CONDITIONS			MIN	TYP	MAX	UNIT
VOUTU	V <sub>CC</sub> = 5.5 V,	Switch OFF,	V <sub>IN</sub> = V <sub>CC</sub> or GND	2	V <sub>OH</sub> - 0.3		V

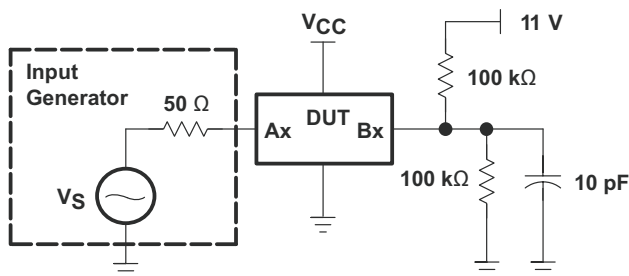


Figure 7. Device Test Setup

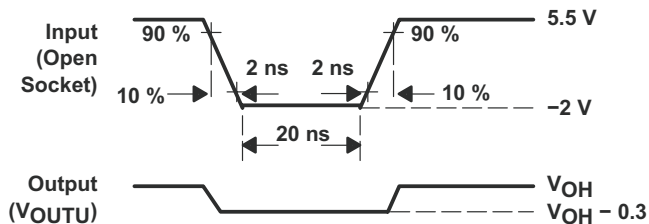
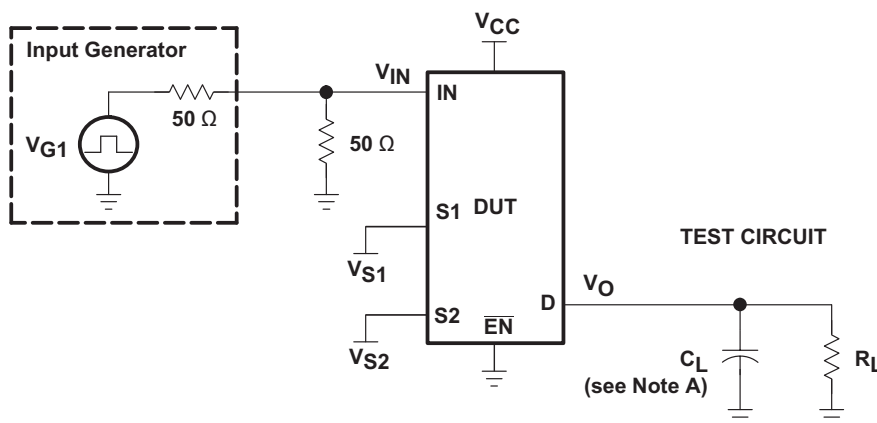


Figure 8. Transient Input Voltage (V) and Output Voltage (V<sub>OUTU</sub>) Waveforms (Switch OFF)

PARAMETER MEASUREMENT INFORMATION



TEST	V <sub>CC</sub>	R <sub>L</sub>	C <sub>L</sub>	V <sub>S1</sub>	V <sub>S2</sub>
t <sub>ON</sub>	5 V ± 0.5 V	75 Ω	20 pF	GND	3 V
	5 V ± 0.5 V	75 Ω	20 pF	3 V	GND
t <sub>OFF</sub>	5 V ± 0.5 V	75 Ω	20 pF	GND	3 V
	5 V ± 0.5 V	75 Ω	20 pF	3 V	GND

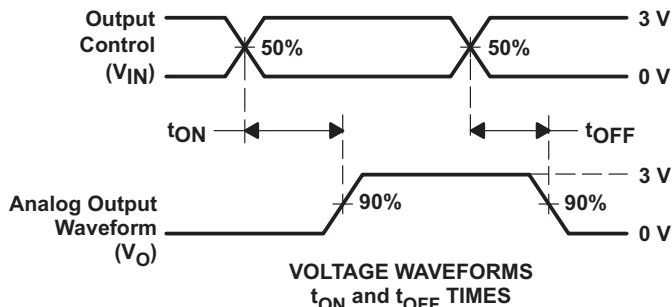
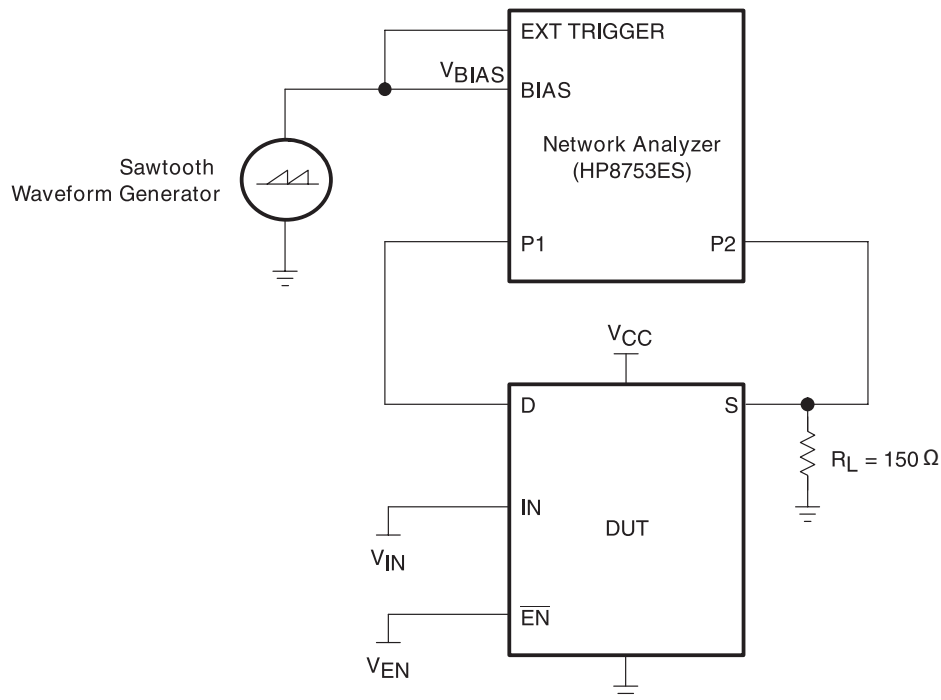


Figure 9. Test Circuit and Voltage Waveforms



For additional information, refer to the TI application report, *Measuring Differential Gain and Phase*, literature number [SLOA040](#).

**Figure 10. Test Circuit for Differential Gain/Phase Measurement**

The differential gain and phase is measured at the output of the ON channel. For example, when  $V_{IN} = 0$ ,  $V_{EN} = 0$ , and  $D_A$  is the input, the output is measured at  $S_{1A}$ .

#### HP8753ES Setup

Average = 20

RBW = 300 Hz

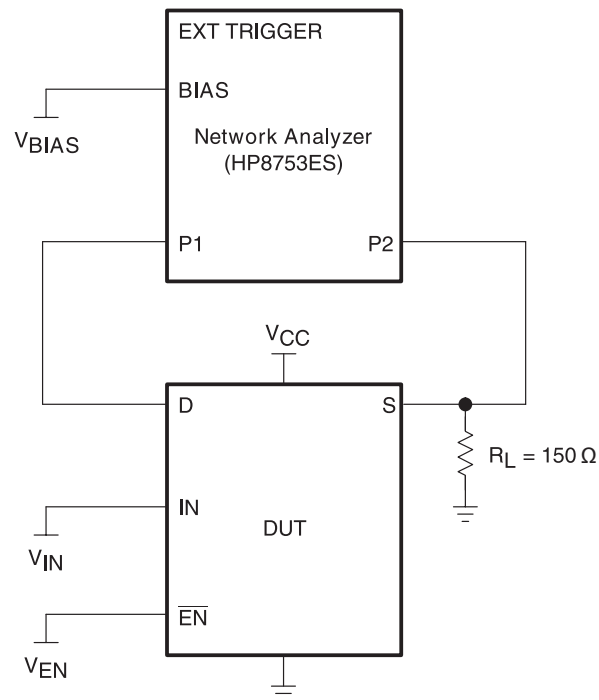
Smoothing = 2%

$V_{BIAS} = 0$  to 1 V

ST = 1.381 s.

P1 = -7 dBm

CW frequency = 3.58 MHz



**Figure 11. Test Circuit for Frequency Response, Crosstalk, and OFF-Isolation**

The frequency response is measured at the output of the ON channel. For example, when  $V_{IN} = 0$ ,  $V_{EN} = 0$ , and  $D_A$  is the input, the output is measured at  $S_{1A}$ . All unused analog I/O ports are held at  $V_{CC}$  or GND.

The crosstalk is measured at the output of the non-adjacent ON channel. For example, when  $V_{IN} = 0$ ,  $V_{EN} = 0$ , and  $D_A$  is the input, the output is measured at  $S_{1B}$ . All unused analog I/O ports are held at  $V_{CC}$  or GND.

The off-isolation is measured at the output of the OFF channel. For example, when  $V_{IN} = 0$ ,  $V_{EN} = V_{CC}$ , and  $D_A$  is the input, the output is measured at  $S_{1A}$ . All unused analog I/O ports are held at  $V_{CC}$  or GND.

#### HP8753ES Setup

Average = 4

RBW = 3 kHz

Smoothing = 0%

$V_{BIAS} = 0.35$  V

ST = 2 s

P1 = 0 dBm

**PACKAGING INFORMATION**

Orderable Device	Status <sup>(1)</sup>	Package Type	Package Drawing	Pins	Package Qty	Eco Plan <sup>(2)</sup>	Lead/ Ball Finish	MSL Peak Temp <sup>(3)</sup>	Samples (Requires Login)
TS5V522CDBQR	ACTIVE	SSOP	DBQ	24	2500	Green (RoHS & no Sb/Br)	CU NIPDAU	Level-2-260C-1 YEAR	
TS5V522CPWR	ACTIVE	TSSOP	PW	24	2000	Green (RoHS & no Sb/Br)	CU NIPDAU	Level-1-260C-UNLIM	

<sup>(1)</sup> The marketing status values are defined as follows:

**ACTIVE:** Product device recommended for new designs.

**LIFEBUY:** TI has announced that the device will be discontinued, and a lifetime-buy period is in effect.

**NRND:** Not recommended for new designs. Device is in production to support existing customers, but TI does not recommend using this part in a new design.

**PREVIEW:** Device has been announced but is not in production. Samples may or may not be available.

**OBSOLETE:** TI has discontinued the production of the device.

<sup>(2)</sup> Eco Plan - The planned eco-friendly classification: Pb-Free (RoHS), Pb-Free (RoHS Exempt), or Green (RoHS & no Sb/Br) - please check <http://www.ti.com/productcontent> for the latest availability information and additional product content details.

**TBD:** The Pb-Free/Green conversion plan has not been defined.

**Pb-Free (RoHS):** TI's terms "Lead-Free" or "Pb-Free" mean semiconductor products that are compatible with the current RoHS requirements for all 6 substances, including the requirement that lead not exceed 0.1% by weight in homogeneous materials. Where designed to be soldered at high temperatures, TI Pb-Free products are suitable for use in specified lead-free processes.

**Pb-Free (RoHS Exempt):** This component has a RoHS exemption for either 1) lead-based flip-chip solder bumps used between the die and package, or 2) lead-based die adhesive used between the die and leadframe. The component is otherwise considered Pb-Free (RoHS compatible) as defined above.

**Green (RoHS & no Sb/Br):** TI defines "Green" to mean Pb-Free (RoHS compatible), and free of Bromine (Br) and Antimony (Sb) based flame retardants (Br or Sb do not exceed 0.1% by weight in homogeneous material)

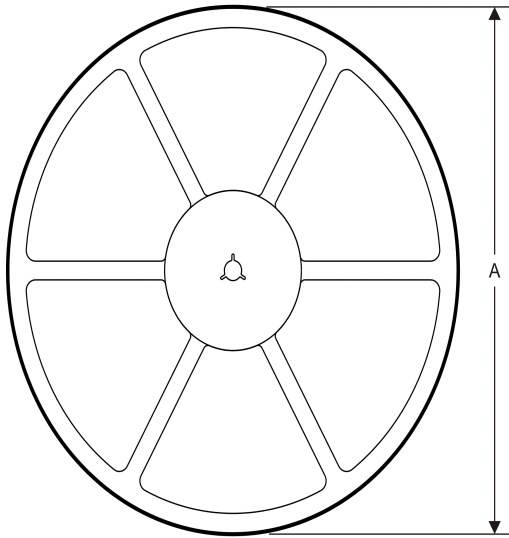
<sup>(3)</sup> MSL, Peak Temp. -- The Moisture Sensitivity Level rating according to the JEDEC industry standard classifications, and peak solder temperature.

**Important Information and Disclaimer:** The information provided on this page represents TI's knowledge and belief as of the date that it is provided. TI bases its knowledge and belief on information provided by third parties, and makes no representation or warranty as to the accuracy of such information. Efforts are underway to better integrate information from third parties. TI has taken and continues to take reasonable steps to provide representative and accurate information but may not have conducted destructive testing or chemical analysis on incoming materials and chemicals. TI and TI suppliers consider certain information to be proprietary, and thus CAS numbers and other limited information may not be available for release.

In no event shall TI's liability arising out of such information exceed the total purchase price of the TI part(s) at issue in this document sold by TI to Customer on an annual basis.

**TAPE AND REEL INFORMATION**

**REEL DIMENSIONS**



**TAPE DIMENSIONS**



A0	Dimension designed to accommodate the component width
B0	Dimension designed to accommodate the component length
K0	Dimension designed to accommodate the component thickness
W	Overall width of the carrier tape
P1	Pitch between successive cavity centers

**TAPE AND REEL INFORMATION**

\*All dimensions are nominal

Device	Package Type	Package Drawing	Pins	SPQ	Reel Diameter (mm)	Reel Width W1 (mm)	A0 (mm)	B0 (mm)	K0 (mm)	P1 (mm)	W (mm)	Pin1 Quadrant
TS5V522CDBQR	SSOP	DBQ	24	2500	330.0	16.4	6.5	9.0	2.1	8.0	16.0	Q1
TS5V522CPWR	TSSOP	PW	24	2000	330.0	16.4	6.95	8.3	1.6	8.0	16.0	Q1

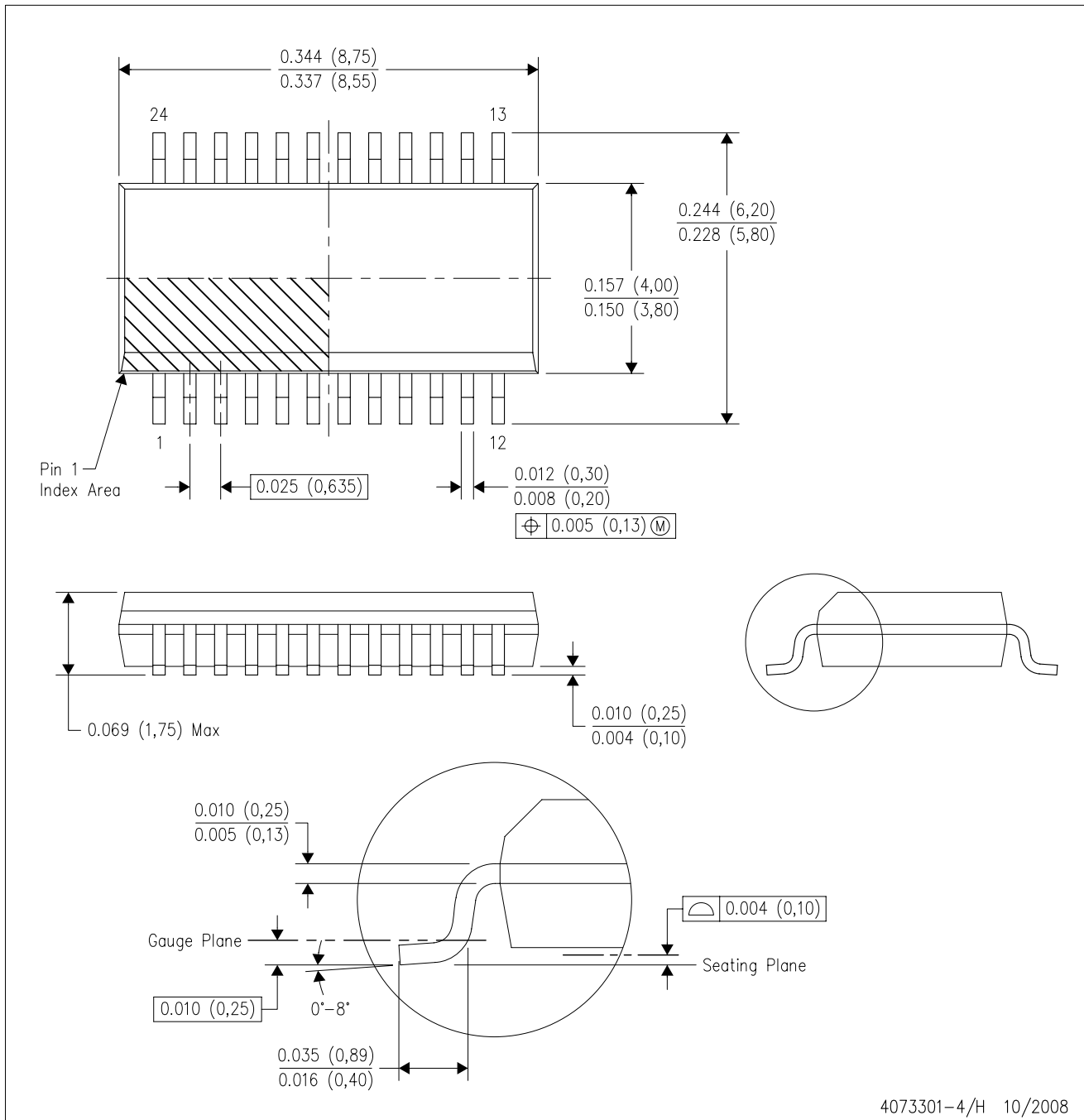
**TAPE AND REEL BOX DIMENSIONS**


\*All dimensions are nominal

Device	Package Type	Package Drawing	Pins	SPQ	Length (mm)	Width (mm)	Height (mm)
TS5V522CDBQR	SSOP	DBQ	24	2500	367.0	367.0	38.0
TS5V522CPWR	TSSOP	PW	24	2000	367.0	367.0	38.0

DBQ (R-PDSO-G24)

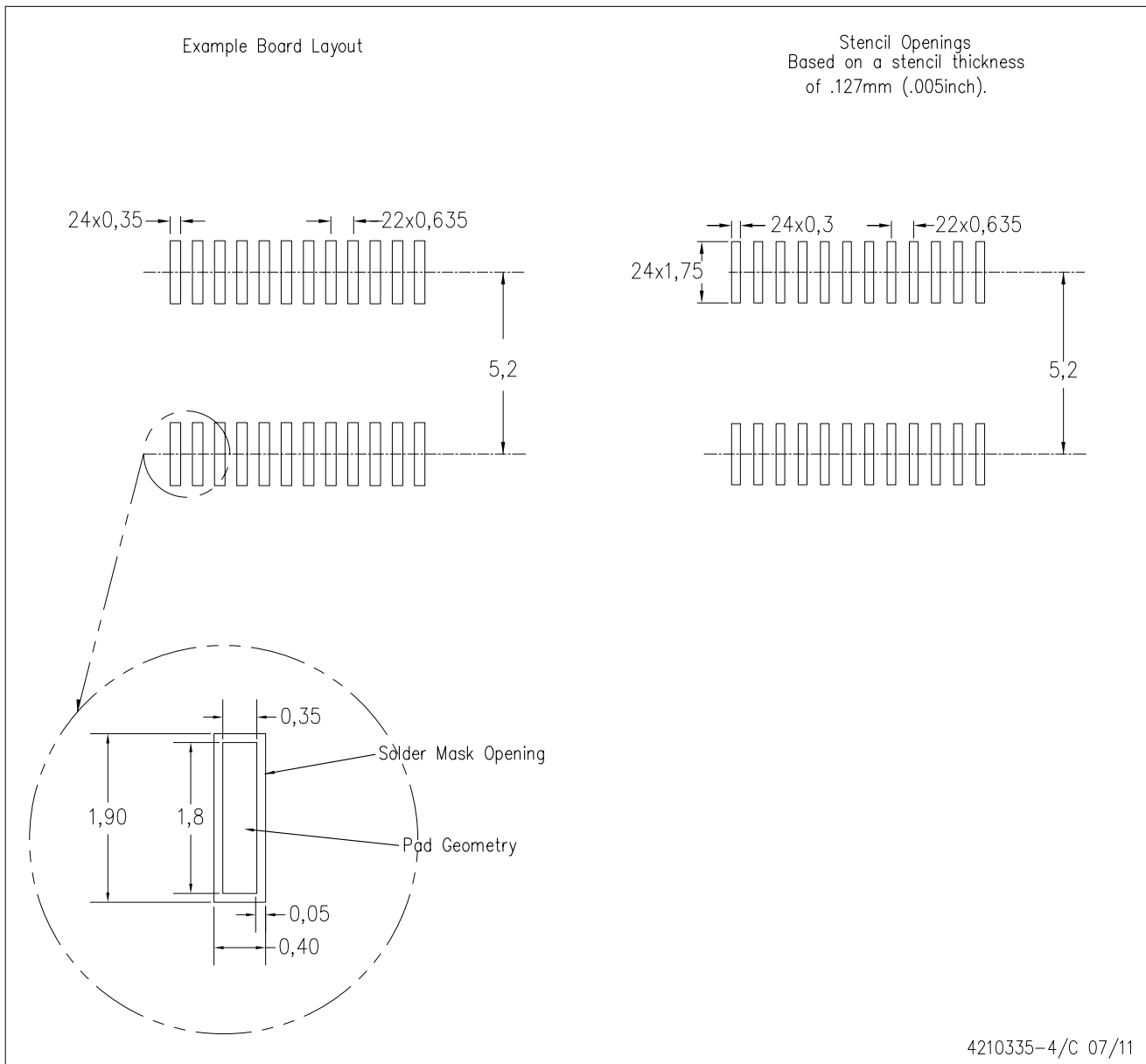
PLASTIC SMALL-OUTLINE PACKAGE



- NOTES:
- A. All linear dimensions are in inches (millimeters).
  - B. This drawing is subject to change without notice.
  - C. Body dimensions do not include mold flash or protrusion not to exceed 0.006 (0,15) per side.
  - D. Falls within JEDEC MO-137 variation AE.

DBQ (R-PDSO-G24)

PLASTIC SMALL OUTLINE PACKAGE





- NOTES:
- A. All linear dimensions are in millimeters.
  - B. This drawing is subject to change without notice.
  - C. Customers should place a note on the circuit board fabrication drawing not to alter the center solder mask defined pad.
  - D. Publication IPC-7351 is recommended for alternate designs.
  - E. Laser cutting apertures with trapezoidal walls and also rounding corners will offer better paste release. Customers should contact their board assembly site for stencil design recommendations. Example stencil design based on a 50% volumetric metal load solder paste. Refer to IPC-7525 for other stencil recommendations.



PW (R-PDSO-G24)

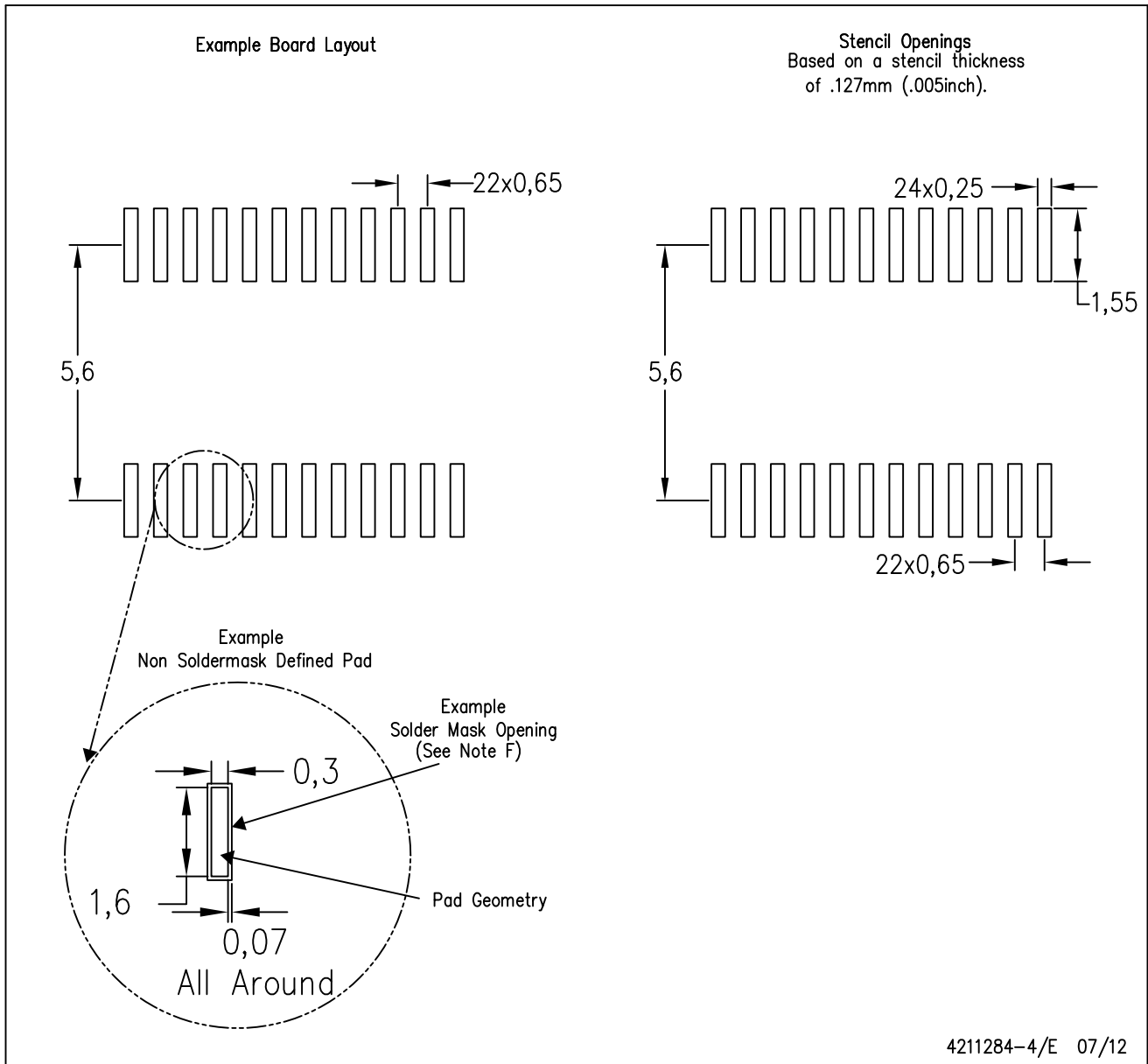
PLASTIC SMALL OUTLINE



- NOTES:
- A. All linear dimensions are in millimeters. Dimensioning and tolerancing per ASME Y14.5M-1994.
  - B. This drawing is subject to change without notice.
  -  Body length does not include mold flash, protrusions, or gate burrs. Mold flash, protrusions, or gate burrs shall not exceed 0,15 each side.
  -  Body width does not include interlead flash. Interlead flash shall not exceed 0,25 each side.
  - E. Falls within JEDEC MO-153

PW (R-PDSO-G24)

PLASTIC SMALL OUTLINE



- NOTES:
- All linear dimensions are in millimeters.
  - This drawing is subject to change without notice.
  - Publication IPC-7351 is recommended for alternate design.
  - Laser cutting apertures with trapezoidal walls and also rounding corners will offer better paste release. Customers should contact their board assembly site for stencil design recommendations. Refer to IPC-7525 for other stencil recommendations.
  - Customers should contact their board fabrication site for solder mask tolerances between and around signal pads.

## IMPORTANT NOTICE

Texas Instruments Incorporated and its subsidiaries (TI) reserve the right to make corrections, enhancements, improvements and other changes to its semiconductor products and services per JESD46C and to discontinue any product or service per JESD48B. Buyers should obtain the latest relevant information before placing orders and should verify that such information is current and complete. All semiconductor products (also referred to herein as "components") are sold subject to TI's terms and conditions of sale supplied at the time of order acknowledgment.

TI warrants performance of its components to the specifications applicable at the time of sale, in accordance with the warranty in TI's terms and conditions of sale of semiconductor products. Testing and other quality control techniques are used to the extent TI deems necessary to support this warranty. Except where mandated by applicable law, testing of all parameters of each component is not necessarily performed.

TI assumes no liability for applications assistance or the design of Buyers' products. Buyers are responsible for their products and applications using TI components. To minimize the risks associated with Buyers' products and applications, Buyers should provide adequate design and operating safeguards.

TI does not warrant or represent that any license, either express or implied, is granted under any patent right, copyright, mask work right, or other intellectual property right relating to any combination, machine, or process in which TI components or services are used. Information published by TI regarding third-party products or services does not constitute a license to use such products or services or a warranty or endorsement thereof. Use of such information may require a license from a third party under the patents or other intellectual property of the third party, or a license from TI under the patents or other intellectual property of TI.

Reproduction of significant portions of TI information in TI data books or data sheets is permissible only if reproduction is without alteration and is accompanied by all associated warranties, conditions, limitations, and notices. TI is not responsible or liable for such altered documentation. Information of third parties may be subject to additional restrictions.

Resale of TI components or services with statements different from or beyond the parameters stated by TI for that component or service voids all express and any implied warranties for the associated TI component or service and is an unfair and deceptive business practice. TI is not responsible or liable for any such statements.

Buyer acknowledges and agrees that it is solely responsible for compliance with all legal, regulatory and safety-related requirements concerning its products, and any use of TI components in its applications, notwithstanding any applications-related information or support that may be provided by TI. Buyer represents and agrees that it has all the necessary expertise to create and implement safeguards which anticipate dangerous consequences of failures, monitor failures and their consequences, lessen the likelihood of failures that might cause harm and take appropriate remedial actions. Buyer will fully indemnify TI and its representatives against any damages arising out of the use of any TI components in safety-critical applications.

In some cases, TI components may be promoted specifically to facilitate safety-related applications. With such components, TI's goal is to help enable customers to design and create their own end-product solutions that meet applicable functional safety standards and requirements. Nonetheless, such components are subject to these terms.

No TI components are authorized for use in FDA Class III (or similar life-critical medical equipment) unless authorized officers of the parties have executed a special agreement specifically governing such use.

Only those TI components which TI has specifically designated as military grade or "enhanced plastic" are designed and intended for use in military/aerospace applications or environments. Buyer acknowledges and agrees that any military or aerospace use of TI components which have **not** been so designated is solely at the Buyer's risk, and that Buyer is solely responsible for compliance with all legal and regulatory requirements in connection with such use.

TI has specifically designated certain components which meet ISO/TS16949 requirements, mainly for automotive use. Components which have not been so designated are neither designed nor intended for automotive use; and TI will not be responsible for any failure of such components to meet such requirements.

### Products

Audio	<a href="http://www.ti.com/audio">www.ti.com/audio</a>
Amplifiers	<a href="http://amplifier.ti.com">amplifier.ti.com</a>
Data Converters	<a href="http://dataconverter.ti.com">dataconverter.ti.com</a>
DLP® Products	<a href="http://www.dlp.com">www.dlp.com</a>
DSP	<a href="http://dsp.ti.com">dsp.ti.com</a>
Clocks and Timers	<a href="http://www.ti.com/clocks">www.ti.com/clocks</a>
Interface	<a href="http://interface.ti.com">interface.ti.com</a>
Logic	<a href="http://logic.ti.com">logic.ti.com</a>
Power Mgmt	<a href="http://power.ti.com">power.ti.com</a>
Microcontrollers	<a href="http://microcontroller.ti.com">microcontroller.ti.com</a>
RFID	<a href="http://www.ti-rfid.com">www.ti-rfid.com</a>
OMAP Mobile Processors	<a href="http://www.ti.com/omap">www.ti.com/omap</a>
Wireless Connectivity	<a href="http://www.ti.com/wirelessconnectivity">www.ti.com/wirelessconnectivity</a>

### Applications

Automotive and Transportation	<a href="http://www.ti.com/automotive">www.ti.com/automotive</a>
Communications and Telecom	<a href="http://www.ti.com/communications">www.ti.com/communications</a>
Computers and Peripherals	<a href="http://www.ti.com/computers">www.ti.com/computers</a>
Consumer Electronics	<a href="http://www.ti.com/consumer-apps">www.ti.com/consumer-apps</a>
Energy and Lighting	<a href="http://www.ti.com/energy">www.ti.com/energy</a>
Industrial	<a href="http://www.ti.com/industrial">www.ti.com/industrial</a>
Medical	<a href="http://www.ti.com/medical">www.ti.com/medical</a>
Security	<a href="http://www.ti.com/security">www.ti.com/security</a>
Space, Avionics and Defense	<a href="http://www.ti.com/space-avionics-defense">www.ti.com/space-avionics-defense</a>
Video and Imaging	<a href="http://www.ti.com/video">www.ti.com/video</a>

**TI E2E Community** [e2e.ti.com](http://e2e.ti.com)



**Стандарт  
Электрон  
Связь**

Мы молодая и активно развивающаяся компания в области поставок электронных компонентов. Мы поставляем электронные компоненты отечественного и импортного производства напрямую от производителей и с крупнейших складов мира.

Благодаря сотрудничеству с мировыми поставщиками мы осуществляем комплексные и плановые поставки широчайшего спектра электронных компонентов.

Собственная эффективная логистика и склад в обеспечивает надежную поставку продукции в точно указанные сроки по всей России.

Мы осуществляем техническую поддержку нашим клиентам и предпродажную проверку качества продукции. На все поставляемые продукты мы предоставляем гарантию .

Осуществляем поставки продукции под контролем ВП МО РФ на предприятия военно-промышленного комплекса России , а также работаем в рамках 275 ФЗ с открытием отдельных счетов в уполномоченном банке. Система менеджмента качества компании соответствует требованиям ГОСТ ISO 9001.

Минимальные сроки поставки, гибкие цены, неограниченный ассортимент и индивидуальный подход к клиентам являются основой для выстраивания долгосрочного и эффективного сотрудничества с предприятиями радиоэлектронной промышленности, предприятиями ВПК и научно-исследовательскими институтами России.

С нами вы становитесь еще успешнее!

**Наши контакты:**

**Телефон:** +7 812 627 14 35

**Электронная почта:** [sales@st-electron.ru](mailto:sales@st-electron.ru)

**Адрес:** 198099, Санкт-Петербург,  
Промышленная ул, дом № 19, литера Н,  
помещение 100-Н Офис 331