

PLEASE CHECK WWW.MOLEX.COM FOR LATEST PART INFORMATION

Part Number: [0761349002](#)
Status: **Active**
Overview: [vhdm](#)
Description: VHDM® H-Series Board-to-Board Backplane Header, 2.00mm (.079") Pitch Vertical, 8-Row, Open Signal Module, 80 Circuits, Advance Mate Shield, Pin Length 6.25mm (.246"), Lead Free

Documents:

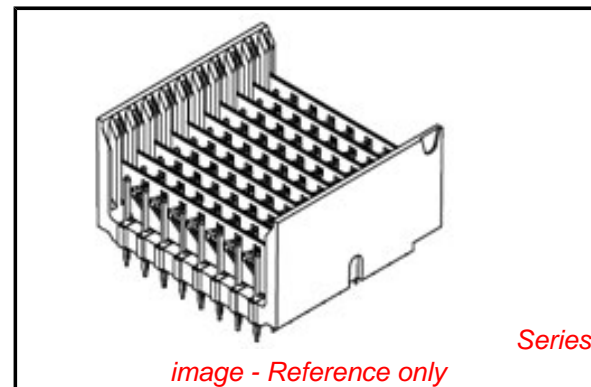
[Drawing \(PDF\)](#) [RoHS Certificate of Compliance \(PDF\)](#)
[Product Specification PS-74031-999 \(PDF\)](#)

General

Product Family	Backplane Connectors
Series	76134
Application	Backplane
Comments	Open Header
Component Type	PCB Header
Overview	vhdm
Product Name	VHDM®
Style	N/A

Physical

Circuits (Loaded)	80
Circuits (maximum)	80
Color - Resin	Black
Durability (mating cycles max)	200
First Mate / Last Break	No
Guide to Mating Part	No
Keying to Mating Part	None
Material - Metal	Beryllium Copper, High Performance Alloy (HPA)
Material - Plating Mating	Gold
Material - Plating Termination	Tin
Material - Resin	High Temperature Thermoplastic
Number of Columns	N/A
Number of Pairs	Open Pin Field
Number of Rows	8
Orientation	Vertical
PC Tail Length (in)	0.067 In
PC Tail Length (mm)	1.70 mm
PCB Locator	No
PCB Retention	None
PCB Thickness Recommended (in)	0.070 In
PCB Thickness Recommended (mm)	1.80 mm
Packaging Type	Tube
Pitch - Mating Interface (in)	0.079 In
Pitch - Mating Interface (mm)	2.00 mm
Pitch - Term. Interface (in)	0.039 In
Pitch - Term. Interface (mm)	1.00 mm
Plating min: Mating (µin)	30
Plating min: Mating (µm)	0.75
Plating min: Termination (µin)	30
Plating min: Termination (µm)	0.75
Polarized to PCB	Yes
Stackable	Yes
Surface Mount Compatible (SMC)	Yes
Temperature Range - Operating	-55°C to +105°C



EU RoHS

**ELV and RoHS
Compliant**
**REACH SVHC
Contains SVHC: No**
**Halogen-Free
Status**

China RoHS



**Need more information on product
environmental compliance?**

Email productcompliance@molex.com
 For a multiple part number RoHS Certificate of Compliance, [click here](#)

Please visit the [Contact Us](#) section for any non-product compliance questions.

Search Parts in this Series

76134Series

Mates With

76021 VHDM® Board-to-Board
 Daughtercard Receptacle

Application Tooling | FAQ

Tooling specifications and manuals are found by selecting the products below. Crimp Height Specifications are then contained in the Application Tooling Specification document.

Global

Description	Product #
VHDM® Signal Pin	0622015700
Insertor Repair Tool	
VHDM® 8 Row Pin and Shield Repair Tool	0622015900
VHDM® 8 Row Shield Extraction Tool	0622016100

Termination Interface: Style

Through Hole - Compliant Pin

Electrical

Current - Maximum per Contact

3A

Data Rate

2.5 Gbps

Shield Type

Ground Plane Shield

Shielded

Yes

Voltage - Maximum

30V AC (RMS)/DC

Material Info

Reference - Drawing Numbers

Packaging Specification

PK-74060-003

Product Specification

PS-74031-999

Sales Drawing

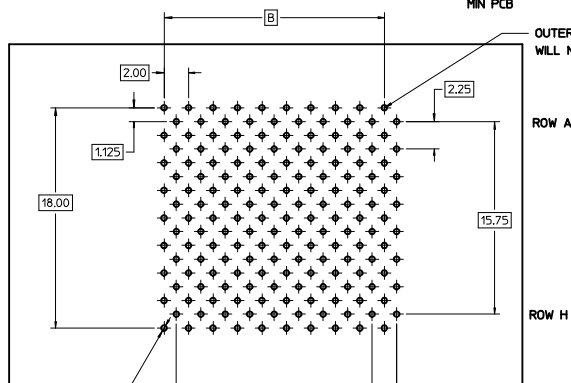
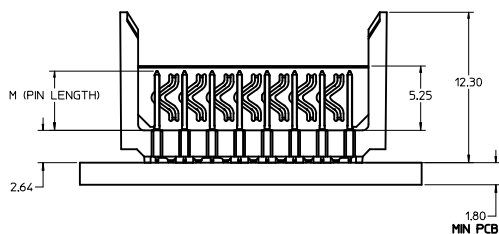
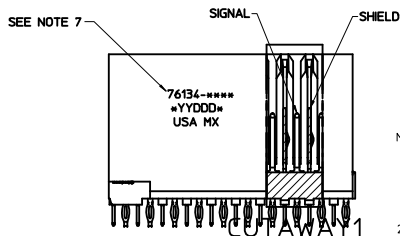
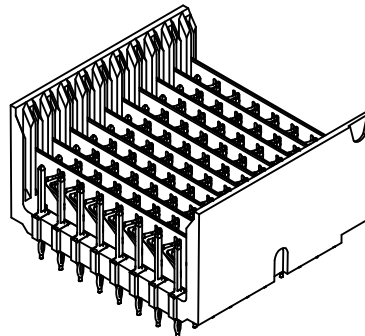
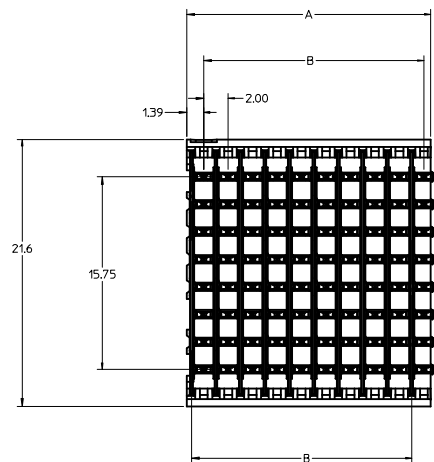
SD-76134-001

VHDM and Very High Density Metric are trademarks of Amphenol Corporation

VHDM® Insertion 0622020209
Module for Standard
Shield Signal
Header, 8 Row by
10 Wide, 20.00mm
(.787")

This document was generated on 05/28/2010

PLEASE CHECK WWW.MOLEX.COM FOR LATEST PART INFORMATION

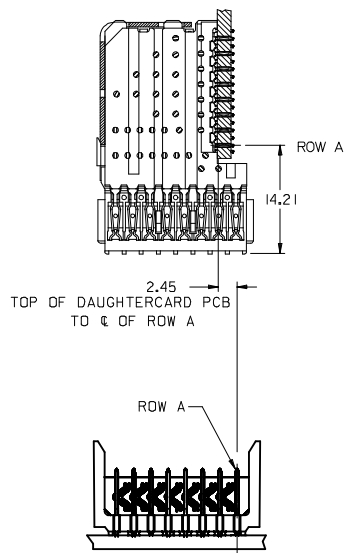
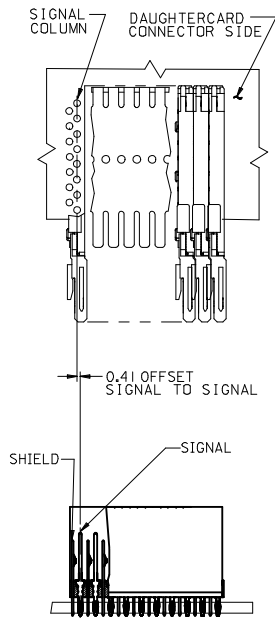


OUTER ROWS OF SHIELD THRU HOLES WILL NOT BE POPULATED

⌀ 0.10
 ⌀ 0.46 ± 0.05
 (⌀ 0.57 DRILL)
 (⌀ 0.88 PADI)

- NOTES:**
- MATERIALS:**
 HOUSING - LIQUID CRYSTAL POLYMER (LCP)
 GLASS FILLED, UL94V-0, BLACK
 SIGNAL PIN AND SHIELD - COPPER ALLOY
 - FINISHES:**
 CONTACT AREA - SELECTIVE GOLD (Au)
 PCB TAILS - SELECTIVE TIN/LEAD (SnPb) OR MATTE TIN (Sn)
 - THIS PART CONFORMS TO MOLEX PRODUCT SPECIFICATION PS-74031-999.
 - FOR MIXED CONTACT LENGTH CONTACT MOLEX FOR AVAILABILITY.
 - FOR SPECIFIC MATERIAL NUMBERS AND MATING INFORMATION REFER TO SHEET 2.
 - PACKAGE PER PK-74060-003.
 - ASSEMBLY WILL BE MARKED WITH P/N AND DATE CODE WITH LASER MARK ON SIDE OF HOUSING OR BY LABEL ON THE TUBE.

INITIAL RELEASE IEC NO. UCP2008-2748 DRAWN BY J JONIAK 2008/12/01 CHECKED BY J JONIAK 2008/12/02 APPR: J LAURY 2008/12/03	QUALITY SYMBOLS	GENERAL TOLERANCES (UNLESS SPECIFIED)	DIMENSION STYLE	SCALE	DESIGN UNITS	THIRD ANGLE PROJECTION
	▽=0 ▽=0	mm INCH 4 PLACES ± --- ± --- 3 PLACES ± --- ± --- 2 PLACES ± 0.15 ± --- 1 PLACE ± 0.25 ± --- ANGULAR ±1/2°	MM ONLY	5:1	METRIC	DRAWN BY DATE J JONIAK 2008/04/11 CHECKED BY DATE B INGHAM 2008/04/11 APPROVED BY DATE B INGHAM 2008/04/11
	DRAFT WHERE APPLICABLE MUST REMAIN WITHIN DIMENSIONS	MATERIAL NO. SEE PAGE 2 SIZE D	TITLE VHDM H-SERIES 8 ROW OPEN END BACKPLANE SALES DRAWING	MOLEX MOLEX INCORPORATED	SHEET NO. 1 OF 2	



PART NUMBER	COLUMN	NUMBER OF SIGNAL PINS	NUMBER OF SHIELD	A	B	M	Au (um) THICKNESS	Sn (um) THICKNESS
76134-#001	10	80	10	20.00	18.00	4.75	0.76	0.76-1.52
76134-#006							1.27	
76134-#501	25	200	25	50.00	48.00	0.76		
76134-#506						1.27		
76134-#002	10	80	10	20.00	18.00	0.76		
76134-#007						1.27		
76134-#502	25	200	25	50.00	48.00	0.76		
76134-#507						1.27		
76134-#003	10	80	10	20.00	18.00	0.76		
76134-#008						1.27		
76134-#503	25	200	25	50.00	48.00	0.76		
76134-#508						1.27		
76134-#004	10	80	10	20.00	18.00	5.15	0.76	
76134-#009						1.27		
76134-#504	25	200	25	50.00	48.00	0.76		
76134-#509						1.27		

MATERIAL NUMBER ASSIGNMENT

76134-** **

SEE TABLE

NUMBER OF COLUMNS/PLATING
 10 = 10 COLUMN TIN/LEAD
 25 = 25 COLUMN TIN/LEAD
 90 = 10 COLUMN MATTE TIN
 85 = 25 COLUMN MATTE TIN

INITIAL RELEASE IEC NO. UCF2008-2748 DRAWN: JONI AK 2008/12/01 CHECKED: JONI AK 2008/12/02 APPR: JLAURY 2008/12/03	QUALITY SYMBOLS	GENERAL TOLERANCES (UNLESS SPECIFIED)	DIMENSION STYLE	SCALE	DESIGN UNITS	THIRD ANGLE PROJECTION	
	▽=0 ▽=0	mm INCH 4 PLACES #--- #--- 3 PLACES #--- #--- 2 PLACES #0.15 #--- 1 PLACE #0.25 #--- ANGULAR ±1/2°	MM ONLY	1:1	METRIC	DRAWN BY: JONI AK DATE: 2008/04/11 CHECKED BY: BINGHAM DATE: 2008/04/11 APPROVED BY: BINGHAM DATE: 2008/04/11	
	DRAFT WHERE APPLICABLE MUST REMAIN WITHIN DIMENSIONS		MATERIAL NO.	DOCUMENT NO.	TITLE: VHDM H-SERIES 8 ROW OPEN END BACKPLANE SALES DRAWING MOLEX INCORPORATED SD-76134-001		
			SEE CHART	SHEET NO. 2 OF 2 THIS DRAWING CONTAINS INFORMATION THAT IS PROPRIETARY TO MOLEX INCORPORATED AND SHOULD NOT BE USED WITHOUT WRITTEN PERMISSION			



Стандарт Электрон Связь

Мы молодая и активно развивающаяся компания в области поставок электронных компонентов. Мы поставляем электронные компоненты отечественного и импортного производства напрямую от производителей и с крупнейших складов мира.

Благодаря сотрудничеству с мировыми поставщиками мы осуществляем комплексные и плановые поставки широчайшего спектра электронных компонентов.

Собственная эффективная логистика и склад в обеспечивает надежную поставку продукции в точно указанные сроки по всей России.

Мы осуществляем техническую поддержку нашим клиентам и предпродажную проверку качества продукции. На все поставляемые продукты мы предоставляем гарантию .

Осуществляем поставки продукции под контролем ВП МО РФ на предприятия военно-промышленного комплекса России , а также работаем в рамках 275 ФЗ с открытием отдельных счетов в уполномоченном банке. Система менеджмента качества компании соответствует требованиям ГОСТ ISO 9001.

Минимальные сроки поставки, гибкие цены, неограниченный ассортимент и индивидуальный подход к клиентам являются основой для выстраивания долгосрочного и эффективного сотрудничества с предприятиями радиоэлектронной промышленности, предприятиями ВПК и научно-исследовательскими институтами России.

С нами вы становитесь еще успешнее!

Наши контакты:

Телефон: +7 812 627 14 35

Электронная почта: sales@st-electron.ru

Адрес: 198099, Санкт-Петербург,
Промышленная ул, дом № 19, литера Н,
помещение 100-Н Офис 331