



Choose one component from each of the colored sections to assemble a complete switch.

Product Profile

The Series 04 is a high quality switch range that includes pushbuttons, indicators, selectors, mushroom headed switches, key switches, and Emergency-stops.

Options include self cleaning, slow-make and snap-action switching elements.

Technical drawings see pages 18-21

- IP65 Protection
- Switch Rating:
Maximum Voltage, 600VAC
Maximum Thermal Current, $I_{th} = 10A$
230VAC/6A, 24VDC/10A
- Raised Mounting into 22.5mm cut out
- Flush Mounting into 30.5mm cut out
- Illumination using Ba9s (T-3¼ bayonet base) Lamps or LED's
- All standard lenses are transparent with translucent diffuser
- Screw terminal or plug-in connections

Indicator



Indicator, round, full face, 22.5mm mounting

| Color | Part No. |
|--------|-----------|
| Red | 704.000.2 |
| Yellow | 704.000.4 |
| Green | 704.000.5 |
| Blue | 704.000.6 |
| Clear | 704.000.7 |

For complete switch also order



Indicator, flush mount, aluminum bezel, 30.5mm mounting

| Color | Part No. |
|--------|-------------|
| Red | 704.006.218 |
| Yellow | 704.006.418 |
| Green | 704.006.518 |
| Blue | 704.006.618 |
| Clear | 704.006.718 |

For complete switch also order

Non-illuminated pushbutton



Non illuminated raised pushbutton, gray plastic bezel, 22.5mm mounting



Non illuminated raised pushbutton, aluminum bezel, 22.5mm mounting



Non illuminated flush mount pushbutton, aluminum bezel, 30.5mm mounting

| Part Ordering System 704.02 - | () | () | () | () |
|-------------------------------|------------------|------------------|-----------------|---------------------------|
| Pushbutton Action | Lens/Cap Style | Front Ring Style | Material | Diffuser Type |
| 1-Momentary | Standard-plastic | 0-Standard | Black plastic | 0-Black |
| 2-Momentary | Standard-metal | 1-Standard | Anodized Al | 1-No diffuser |
| 3-Momentary | Extended-plastic | 2-Sealed | Ni plated brass | (Mushroom or opaque lens) |
| 4-Momentary | Mushroom-plastic | 3-Sealed | Silicone cover | 7-Clear |
| 5-Maintained | Standard-plastic | 4-Standard | Anodized Al | 9-White |
| 6-Maintained | Standard-metal | 6-Standard | Silicon cover | |
| 7-Maintained | Extended-plastic | 7-Extended | Chrome plastic | |
| 8-Maintained | Mushroom-plastic | 9-Standard | Gray plastic | |
| | | | Gray plastic | |
| | | | Steel | |

| Color | Part No., Momentary | Part No., Maintained |
|--------|---------------------|----------------------|
| Red | 704.012.218 | 704.042.218 |
| Yellow | 704.012.418 | 704.042.418 |
| Green | 704.012.518 | 704.042.518 |
| Blue | 704.012.618 | 704.042.618 |
| Clear | 704.012.718 | 704.042.718 |
| Black | 704.012.018 | 704.042.218 |

For complete switch also order **A**

* Only available in standard plastic

** Not available with mushroom cap

*** Combination of clear lens and white diffuser

For complete switch also order **A**

Choose one component from each of the colored sections to assemble a complete switch.
For other options or further information please contact EAO Switch directly.

| | | |
|---|---|-------------------------|
|  BLOCK |  LED | A ACCESSORIES |
|---|---|-------------------------|

⊙ Illuminated pushbutton



Illuminated raised pushbutton, gray plastic bezel, 22.5mm mounting



Illuminated raised pushbutton, aluminum bezel, 22.5mm mounting



Illuminated flush mount pushbutton, aluminum bezel, 30.5mm mounting

| Part Ordering System 704.01 - () () () () | | | | | | Color | Part No., Momentary | Part No., Maintained |
|---|-------------------|--------------------------|----------------------------|-----------------|-----------------------|--|---------------------|----------------------|
| Pushbutton Action | Lens Style | Termination Style | Front Ring Material | | Diffuser* Type | Lens Color | | |
| 1-Momentary | Standard | Screw | 0-Standard | Black plastic | 7-Clear | 2-Transparent red | 704.032.218 | 704.062.218 |
| 2-Momentary | Standard | 0.250" Q.C. | 1-Standard | Anodized Al | 9-White | 3-Transparent orange | 704.032.418 | 704.062.418 |
| 3-Momentary | Extended | Screw | 2-Sealed | Ni plated brass | | 4-Transparent yellow | 704.032.518 | 704.062.518 |
| 4-Momentary | Extended | 0.250" Q.C. | | Silicon cover | | 5-Transparent green | 704.032.618 | 704.062.618 |
| 5-Maintained | Standard | Screw | 3-Sealed | Anodized Al | | 6-Transparent blue | 704.032.718 | 704.062.718 |
| 6-Maintained | Standard | 0.250" Q.C. | | Silicon cover | | 7-White (uses clear lens/white diffuser) | | |
| 7-Maintained | Extended | Screw | 4-Standard | Chrome plastic | | | | |
| 8-Maintained | Extended | 0.250" Q.C. | 6-Standard | Gray plastic | | | | |
| 9-Momentary | Mushroom | Screw | 7-Extended | Gray plastic | | | | |
| 10-Momentary | Mushroom | 0.250" Q.C. | 9-Standard | Steel | | | | |
| 11-Maintained | Mushroom | Screw | | | | | | |
| 12-Maintained | Mushroom | 0.250" Q.C. | | | | | | |

For complete switch also order   **A** *White translucent for incandescent lamps and clear knurled for neon

For complete switch also order   **A**

⊙ Illuminated pushbutton



Illuminated raised pushbutton, gray plastic bezel, 22.5mm mounting



Illuminated raised pushbutton, aluminum bezel, 22.5mm mounting


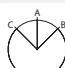




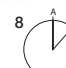

| Part Ordering System 704.03 - () () () () | | | | | |
|---|-----------------------------|--------------------|-------------------------------------|--------------------|-------------------|
| Pushbutton Action | Lighted or Unlighted | Film Insert | Lamp Holder | Bezel Color | Lens Color |
| 0-Momentary | Lighted | With | 0-No lamp holder | 0-Black | 0-Black |
| 1-Momentary | Lighted | Without | 1-Lamp holder screw terminals | 4-Chrome | 2-Red |
| 2-Momentary | Unlighted | With | 2-Lamp holder 0.250" Q.C. terminals | 6-Light gray | 3-Orange |
| 3-Momentary | Unlighted | Without | | | 4-Yellow |
| 4-Maintained | Lighted | With | | | 5-Green |
| 5-Maintained | Lighted | Without | | | 6-Blue |
| 6-Maintained | Unlighted | With | | | 7-White* |
| 7-Maintained | Unlighted | Without | | | |

For complete switch also order   **A** *Combination of clear lens and white diffuser



Choose one component from each of the colored sections to assemble a complete switch.
For other options or further information please contact EAO Switch directly.










| Keylock switch | | | | Selector switch | | | | | | | |
|--|-----------|-----------------------|----------|--|-------------|-----------------------|----------|---|-----------|------------|--------------|
|  <p>Keylock switch 3 position, raised, 22.5mm mounting</p> <p>5  6 </p> | | | |  <p>Keylock switch 3 position, flush mount, 30.5mm mounting</p> <p>7 </p> | | | |  <p>Selector switch short lever 2 position, raised, 22.5mm mounting</p> <p>8  9 </p> | | | |
| Drawing | Part No. | Action | Key rem. | Drawing | Part No. | Action | Key rem. | Drawing | Part No. | Action | Bezel |
| 5 | 704.115.0 | Momentary/Momentary | A | 7 | 704.115.018 | Momentary/Momentary | A | 8 | 704.412.0 | Momentary | Gray plastic |
| 6 | 704.114.0 | Maintained/Maintained | A | 7 | 704.114.018 | Maintained/Maintained | A | 8 | 704.413.0 | Momentary | Aluminum |
| | | | | | | | | 9 | 704.410.0 | Maintained | Gray plastic |
| | | | | | | | | 9 | 704.411.0 | Maintained | Aluminum |

For complete switch also order  **A**

For complete switch also order  **A**

For complete switch also order  **A**

| Selector switch | | | | | | | | | | | |
|--|-------------|------------|----------|---|-----------|-----------------------|--------------|---|-------------|------------|----------|
|  <p>Selector switch short lever 2 position, flush mount, 30.5mm mounting</p> <p>10  11 </p> | | | |  <p>Selector switch short lever 3 position, raised, 22.5mm mounting</p> <p>12 </p> | | | |  <p>Selector switch short lever 3 position, flush mount, 30.5mm mounting</p> <p>13 </p> | | | |
| Drawing | Part No. | Action | Bezel | Drawing | Part No. | Action | Bezel | Drawing | Part No. | Action | Bezel |
| 10 | 704.413.018 | Momentary | Aluminum | 12 | 704.404.0 | Momentary/Momentary | Gray plastic | 13 | 704.405.018 | Momentary | Aluminum |
| 11 | 704.411.018 | Maintained | Aluminum | 12 | 704.405.0 | Momentary/Momentary | Aluminum | 13 | 704.403.018 | Maintained | Aluminum |
| | | | | 12 | 704.402.0 | Maintained/Maintained | Gray plastic | | | | |
| | | | | 12 | 704.403.0 | Maintained/Maintained | Aluminum | | | | |

For complete switch also order  **A**

For complete switch also order  **A**

For complete switch also order  **A**

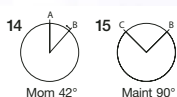


Choose one component from each of the colored sections to assemble a complete switch.

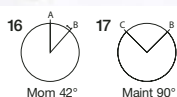
Selector switch



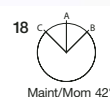
Selector switch long lever 2 position, raised, 22.5mm mounting



Selector switch long lever 2 position, flush mount, 30.5mm mounting



Selector switch long lever 3 position, raised, 22.5mm mounting



| Drawing | Part No. | Action | Bezel |
|---------|-----------|------------|--------------|
| 14 | 704.102.0 | Momentary | Gray plastic |
| 14 | 704.103.0 | Momentary | Aluminum |
| 15 | 704.100.0 | Maintained | Gray plastic |
| 15 | 704.101.0 | Maintained | Aluminum |

| Drawing | Part No. | Action | Bezel |
|---------|-------------|------------|----------|
| 16 | 704.103.018 | Momentary | Aluminum |
| 17 | 704.101.018 | Maintained | Aluminum |

| Drawing | Part No. | Action | Bezel |
|---------|-----------|------------|--------------|
| 18 | 704.094.0 | Momentary | Gray plastic |
| 18 | 704.095.0 | Momentary | Aluminum |
| 18 | 704.092.0 | Maintained | Gray plastic |
| 18 | 704.093.0 | Maintained | Aluminum |

For complete switch also order **A**

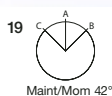
For complete switch also order **A**

For complete switch also order **A**

Selector switch



Selector switch long lever 3 position, flush mount, 30.5mm mounting



Buzzer



Buzzer, plastic bezel, raised, 22.5mm mounting, 24VDC, 95dB ± 8 at a distance of 0.1m



Buzzer, plastic bezel, flush mount, 30.5mm mounting, 24VDC, IP40, 95dB ± 8 at a distance of 0.1m

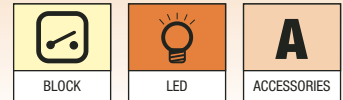
| Drawing | Part No. | Action | Bezel |
|---------|-------------|------------|----------|
| 19 | 704.095.018 | Momentary | Aluminum |
| 19 | 704.093.018 | Maintained | Aluminum |

| Part No. | Front finish |
|------------|-----------------|
| 14-810.002 | Black plastic |
| 14-810.902 | Chromium-plated |

| Part No. | Front finish |
|------------|-----------------|
| 14-810.910 | Black plastic |
| 14-810.918 | Chromium-plated |

For complete switch also order **A**

Choose one component from each of the colored sections to assemble a complete switch.
For other options or further information please contact EAO Switch directly.



Contact block



Contact block, screw terminal, snap-action with silver self-cleaning contacts

| Part No. | Contact type |
|--|--------------|
| 704.900.1 | 1NO |
| 704.900.2 | 1NC |
| 704.900.3 | 2NO |
| 704.900.4 | 2NC |
| 704.900.5 | 1NO/1NC |
| Not recommended for Emergency-stop applications | |

For complete switch also order



Contact block, screw terminal, slow-make (positive-break) with silver forced opening contacts

| Part No. | Contact type |
|-----------|--------------|
| 704.910.2 | 1NC |
| 704.910.4 | 2NC |
| 704.910.5 | 1NO/1NC |
| 704.910.1 | 1NO |
| 704.910.2 | 2NO |

For complete switch also order

LED



LED, Ba9s (T-3¼ bayonet base), single chip, 6 Volt and 12 Volt

| Color | Part No. | Voltage |
|--------|--------------|----------------|
| Red | 10-2506.1082 | 6VDC, 17mA |
| Yellow | 10-2506.1084 | 6VDC, 17mA |
| Green | 10-2506.1085 | 6VDC, 17mA |
| Blue | 10-2506.1086 | 6VDC, 17mA |
| White | 10-2506.1089 | 6VDC, 17mA |
| Red | 10-2509.1142 | 12VAC/DC, 16mA |
| Yellow | 10-2509.1144 | 12VAC/DC, 16mA |
| Green | 10-2509.1145 | 12VAC/DC, 7mA |
| Blue | 10-2509.1146 | 12VAC/DC, 16mA |
| White | 10-2509.1149 | 12VAC/DC, 16mA |

LED



LED, Ba9s, single chip, (T-3¼ bayonet base) 24 Volt and 28 Volt

| Color | Part No. | Voltage |
|--------|--------------|----------------|
| Red | 10-2512.1142 | 24VAC/DC, 15mA |
| Yellow | 10-2512.1144 | 24VAC/DC, 15mA |
| Green | 10-2512.1145 | 24VAC/DC, 7mA |
| Blue | 10-2512.1146 | 24VAC/DC, 15mA |
| White | 10-2512.1149 | 24VAC/DC, 15mA |
| Red | 10-2513.1142 | 28VAC/DC, 13mA |
| Yellow | 10-2513.1144 | 28VAC/DC, 13mA |
| Green | 10-2513.1145 | 28VAC/DC, 7mA |
| Blue | 10-2513.1146 | 28VAC/DC, 13mA |
| White | 10-2513.1149 | 28VAC/DC, 13mA |



LED, Ba9s, (T-3¼ bayonet base) single chip, 48 Volt

| Color | Part No. | Voltage |
|--------|--------------|---------------|
| Red | 10-2519.1052 | 48VAC/DC, 8mA |
| Yellow | 10-2519.1054 | 48VAC/DC, 8mA |
| Green | 10-2519.1055 | 48VAC/DC, 4mA |
| Blue | 10-2519.1056 | 48VAC/DC, 8mA |
| White | 10-2519.1059 | 48VAC/DC, 8mA |



LED, Ba9s, (T-3¼ bayonet base) single chip, 130 Volt and 230 Volt

| Color | Part No. | Voltage |
|--------|--------------|--------------|
| Red | 10-2H24.2052 | 130VAC / 5mA |
| Yellow | 10-2H24.2054 | 130VAC / 5mA |
| Green | 10-2H24.2055 | 130VAC / 3mA |
| Blue | 10-2H24.2056 | 130VAC / 5mA |
| White | 10-2H24.2059 | 130VAC / 5mA |
| Red | 10-2H25.2042 | 230VAC / 3mA |
| Yellow | 10-2H25.2044 | 230VAC / 3mA |
| Green | 10-2H25.2045 | 230VAC / 2mA |
| Blue | 10-2H25.2046 | 230VAC / 3mA |
| White | 10-2H25.2049 | 230VAC / 3mA |



Choose one component from each of the colored sections to assemble a complete switch.

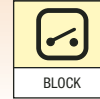
A Accessories

| <p>Lens cap, round, transparent, plastic for raised and flush indicators with bezel and pushbutton actuators</p> | | <p>Protective cover, raised pushbutton</p> | <p>Protective front ring with silicon membrane for raised or flush mount pushbutton, natural anodized aluminum</p> | | |
|--|-----------|--|--|-----------|-----------------------------------|
| Color | Part No. | Part No. | Comment | Part No. | Size |
| ● Red | 704.602.2 | 704.925.0 | for pushbuttons | 704.600.3 | 29mm Ø for raised pushbutton |
| ● Yellow | 704.602.4 | 704.925.3 | for selector with short | 704.955.3 | 35mm Ø for flush mount pushbutton |
| ● Green | 704.602.5 | | lever with "self return" | | |
| ● Blue | 704.602.6 | | | | |
| ○ Clear | 704.602.7 | | | | |
| <p>For complete lens also order diffuser 704.609.9 (see page 21)</p> | | | | | |

A Accessories

| <p>Emergency-stop protective shroud, yellow painted aluminum with 22.5mm mounting hole</p> | | <p>Emergency-stop switch label, 60mm diameter, English, French and German with adhesive backing</p> | <p>Emergency-stop switch enclosure with 22.5mm mounting hole</p> | |
|--|-----------|---|--|-----------|
| Part No. | Part No. | Markings | Image | Part No. |
| Contact EAO Switch directly | 704.963.6 | Emergency stop | 1 | 704.945.0 |
| | 704.963.5 | Not Aus | 2 | 704.945.6 |
| | 704.963.7 | Arret D'urgence | | |
| | 44-950 | Blank | | |
| <p>90mm versions also available</p> | | | | |

Choose one component from each of the colored sections to assemble a complete switch.
For other options or further information please contact EAO Switch directly.



A Accessories



Blanking plate



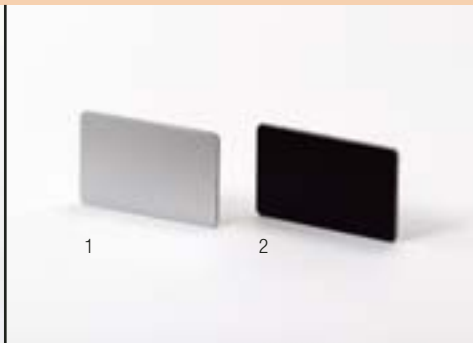
Lens, LED and lamp remover

| Part No. | Mounting hole | Part No. | Part No. |
|-----------|---------------|-----------|-----------|
| 704.960.7 | 22.5mm Ø | 704.955.0 | 700.006.0 |
| 704.964.8 | 30.5mm Ø | 704.955.1 | |
| | | | |
| | | | |
| | | | |
| | | | |
| | | | |
| | | | |
| | | | |

A Accessories



Legend plate, adhesive, natural anodized aluminum finish for raised and flush mount pushbuttons



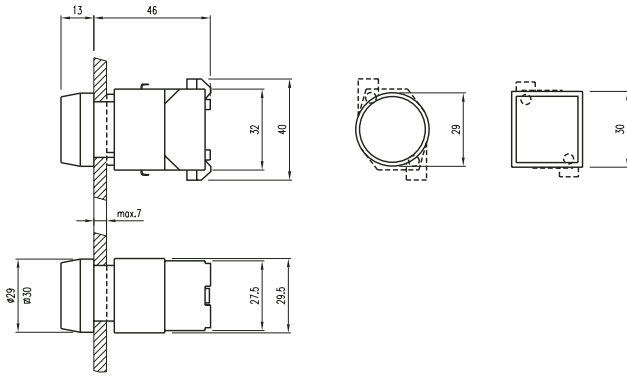
Label for front bezel set for 22.5 and 30.5mm flush mount with label support, self adhesive

| Image | Part No. | Mounting hole | Image | Part No. |
|-------|-----------|---------------|-------|-----------|
| 1 | 704.968.2 | 22.5mm Ø | 1 | 704.968.0 |
| 2 | 704.968.3 | 30.5mm Ø | 2 | 704.968.1 |
| | | | | |
| | | | | |
| | | | | |
| | | | | |
| | | | | |
| | | | | |
| | | | | |
| | | | | |



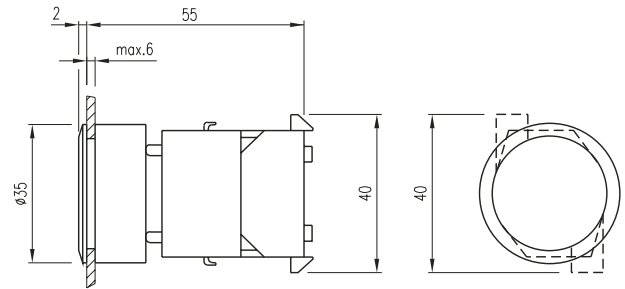
04 Indicator

Raised



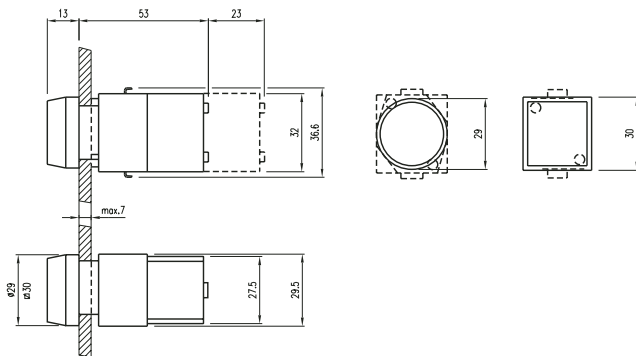
04 Indicator

Flush



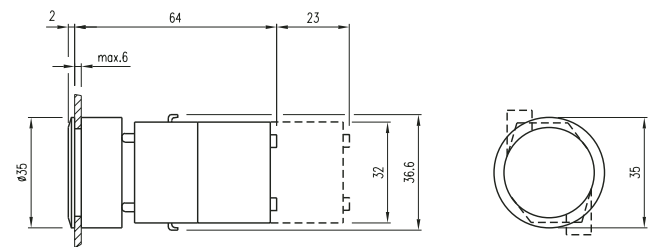
04 Pushbutton

Non-Illuminated, Raised



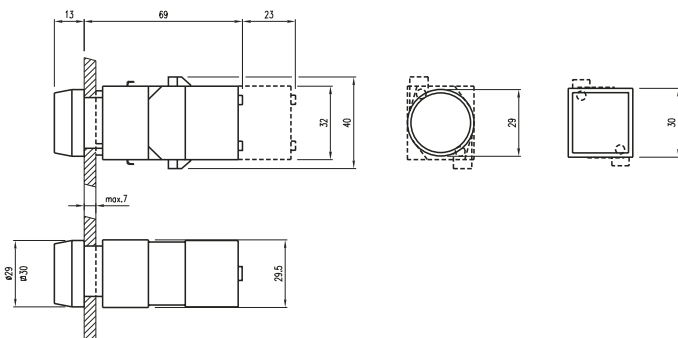
04 Pushbutton

Non-Illuminated, Flush



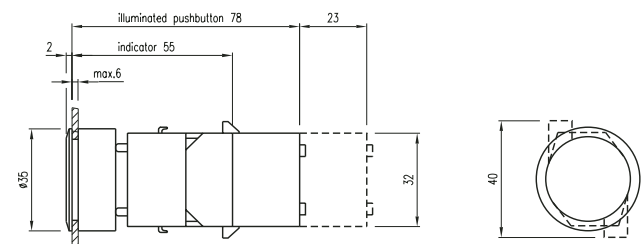
04 Pushbutton

Illuminated, Raised



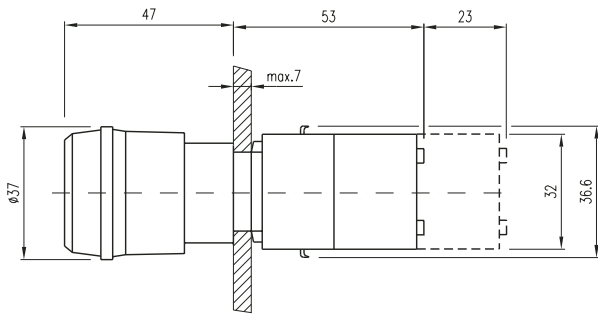
04 Pushbutton

Illuminated, Flush



04 E-Stop

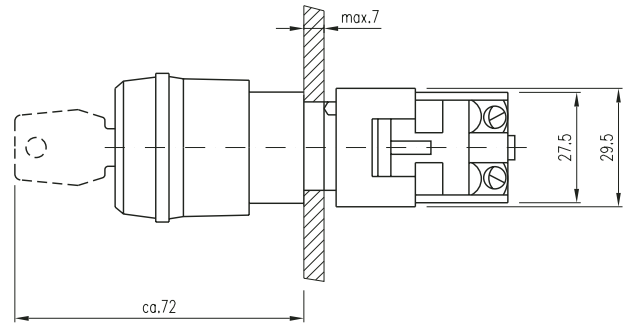
EN 418



twist to release

04 E-Stop

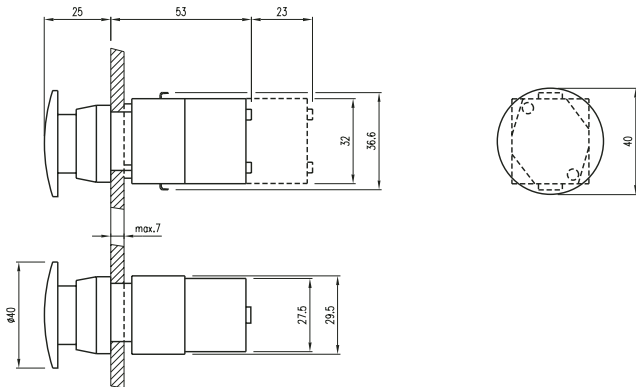
EN 418 with optional key



key to unlock

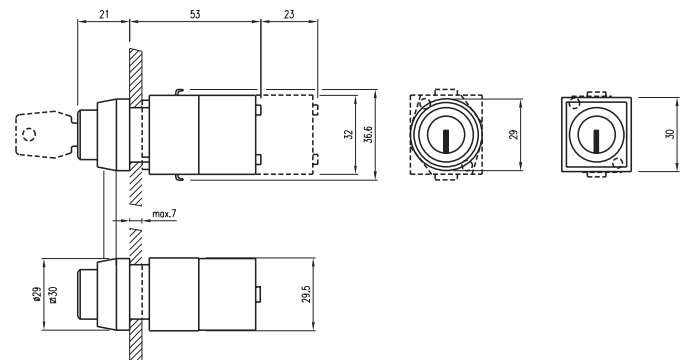
04 E-Stop Mushroom

Pushbutton Mushroom



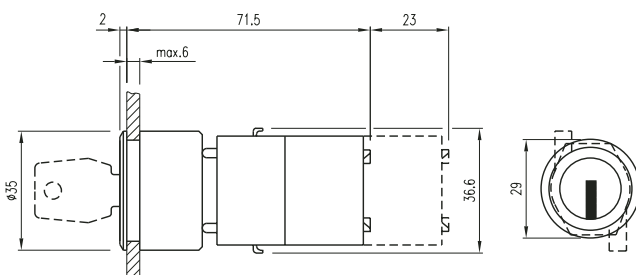
04 Keylock

2-Position, 3-Position, Raised



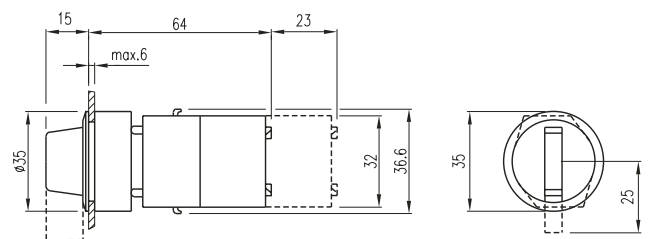
04 Keylock

2-Position, 3-Position, Flush



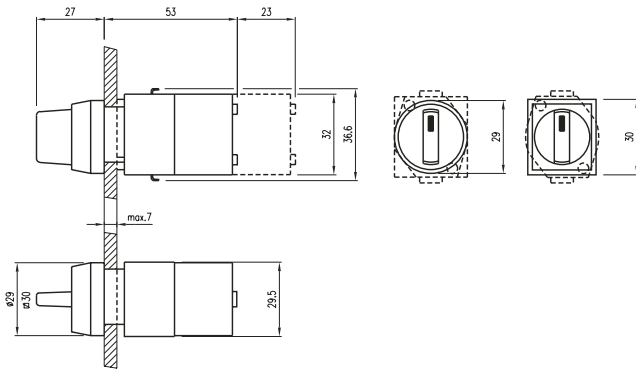
04 Selector

2-Position, 3-Position, Short and Long, Flush



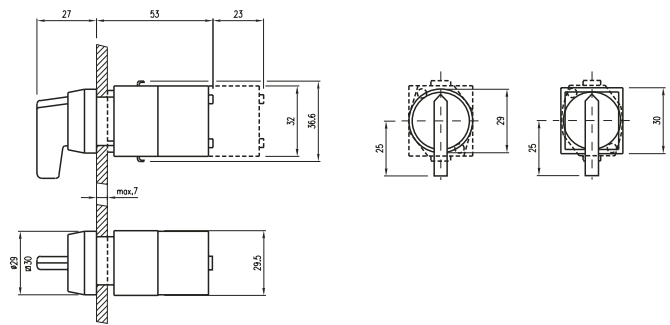
04 Selector, Short Lever

2-Position, 3-Position, Raised



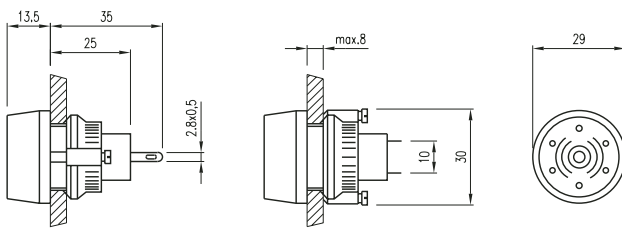
04 Selector, Long Lever

2-Position, 3-Position, Raised



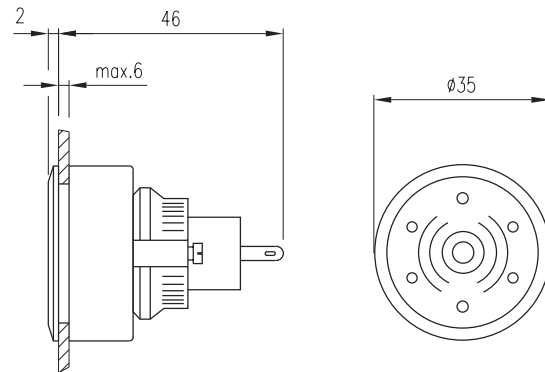
04 Buzzer

Raised



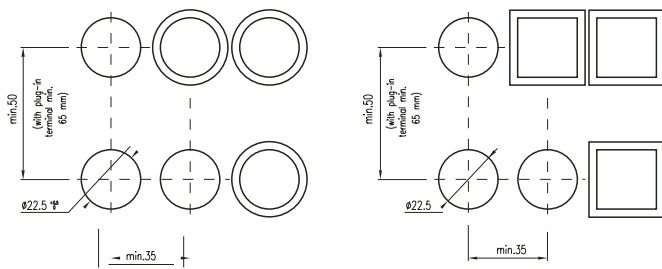
04 Buzzer

Flush



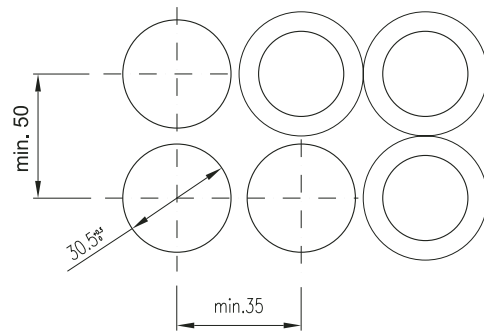
04 Cut-outs, Raised Mounting

(All but long lever)

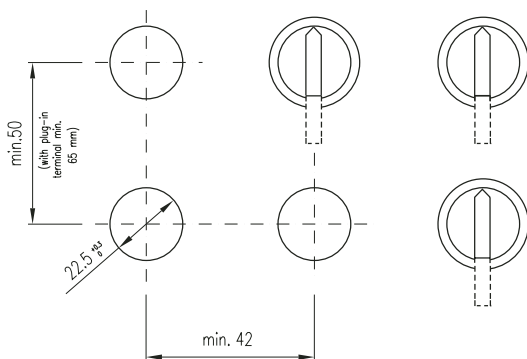


04 Cut-outs, Flush Mounting

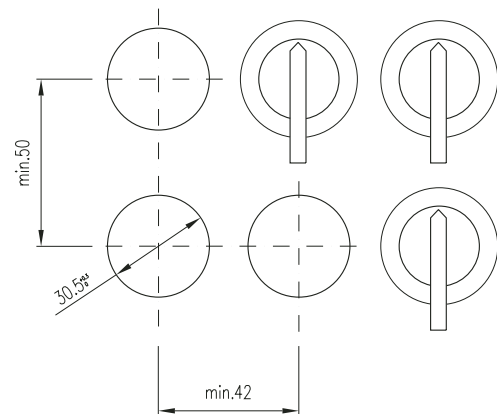
(All but long lever)



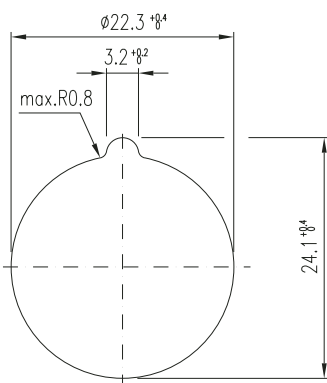
04 Long Lever Cut-outs, Raised Mounting



04 Long Lever Cut-outs, Flush Mounting

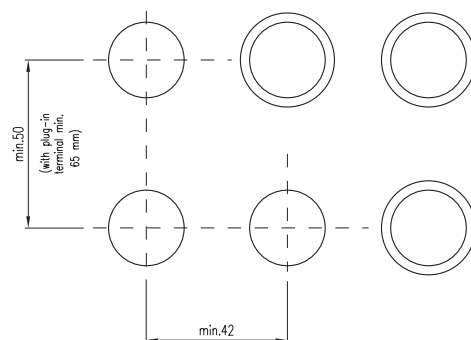


04 E-Stop EN418 Cut-outs



04 E-Stop Mushroom Cut-outs

Pushbutton Mushroom





Стандарт Электрон Связь

Мы молодая и активно развивающаяся компания в области поставок электронных компонентов. Мы поставляем электронные компоненты отечественного и импортного производства напрямую от производителей и с крупнейших складов мира.

Благодаря сотрудничеству с мировыми поставщиками мы осуществляем комплексные и плановые поставки широчайшего спектра электронных компонентов.

Собственная эффективная логистика и склад в обеспечивает надежную поставку продукции в точно указанные сроки по всей России.

Мы осуществляем техническую поддержку нашим клиентам и предпродажную проверку качества продукции. На все поставляемые продукты мы предоставляем гарантию .

Осуществляем поставки продукции под контролем ВП МО РФ на предприятия военно-промышленного комплекса России , а также работаем в рамках 275 ФЗ с открытием отдельных счетов в уполномоченном банке. Система менеджмента качества компании соответствует требованиям ГОСТ ISO 9001.

Минимальные сроки поставки, гибкие цены, неограниченный ассортимент и индивидуальный подход к клиентам являются основой для выстраивания долгосрочного и эффективного сотрудничества с предприятиями радиоэлектронной промышленности, предприятиями ВПК и научно-исследовательскими институтами России.

С нами вы становитесь еще успешнее!

Наши контакты:

Телефон: +7 812 627 14 35

Электронная почта: sales@st-electron.ru

Адрес: 198099, Санкт-Петербург,
Промышленная ул, дом № 19, литера Н,
помещение 100-Н Офис 331