



3.3V 512K × 8 CMOS SRAM

Features

- Pin compatible to AS7C34096
- Industrial and commercial temperature
- Organization: 524,288 words × 8 bits
- Center power and ground pins
- High speed
 - 10/12/15/20 ns address access time
 - 4/5/6/7 ns output enable access time
- Low power consumption: ACTIVE
 - 650 mW / max @ 10 ns
- Low power consumption: STANDBY
 - 28.8 mW / max CMOS

- Equal access and cycle times
- Easy memory expansion with \overline{CE} , \overline{OE} inputs
- TTL-compatible, three-state I/O
- JEDEC standard packages
 - 400 mil 36-pin SOJ
 - 44-pin TSOP 2
- ESD protection ≥ 2000 volts
- Latch-up current ≥ 200 mA

Logic block diagram



Pin arrangements

36-pin SOJ (400 mil)



44-pin TSOP 2



Selection guide

| | -10 | -12 | -15 | -20 | Unit | |
|----------------------------------|------------|-----|-----|-----|------|----|
| Maximum address access time | 10 | 12 | 15 | 20 | ns | |
| Maximum outputenable access time | 4 | 5 | 6 | 7 | ns | |
| Maximum operating current | Industrial | 180 | 160 | 140 | 110 | mA |
| | Commercial | 170 | 150 | 130 | 100 | mA |
| Maximum CMOS standby current | 8 | 8 | 8 | 8 | mA | |



Functional description

The AS7C34096A is a high-performance CMOS 4,194,304-bit Static Random Access Memory (SRAM) device organized as 524,288 words \times 8 bits. It is designed for memory applications where fast data access, low power, and simple interfacing are desired.

Equal address access and cycle times (t_{AA} , t_{RC} , t_{WC}) of 10/12/15/20 ns with output enable access times (t_{OE}) of 4/5/6/7 ns are ideal for high-performance applications. The chip enable input \overline{CE} permits easy memory expansion with multiple-bank memory systems.

When \overline{CE} is high the device enters standby mode. The device is guaranteed not to exceed 28.8mW power consumption in CMOS standby mode.

A write cycle is accomplished by asserting write enable (\overline{WE}) and chip enable (\overline{CE}). Data on the input pins I/O1–I/O8 is written on the rising edge of \overline{WE} (write cycle 1) or \overline{CE} (write cycle 2). To avoid bus contention, external devices should drive I/O pins only after outputs have been disabled with output enable (\overline{OE}) or write enable (\overline{WE}).

A read cycle is accomplished by asserting output enable (\overline{OE}) and chip enable (\overline{CE}), with write enable (\overline{WE}) high. The chip drives I/O pins with the data word referenced by the input address. When either chip enable or output enable is inactive, or write enable is active, output drivers stay in high-impedance mode.

All chip inputs and outputs are TTL-compatible, and operation is from a single 3.3V supply voltage. This device is available as per industry standard 400-mil 36-pin SOJ and 44-pin TSOP 2 packages.

Absolute maximum ratings

| Parameter | Symbol | Min | Max | Unit |
|-------------------------------------|------------|------|----------------|-------------|
| Voltage on V_{CC} relative to GND | V_{t1} | -0.5 | +5.0 | V |
| Voltage on any pin relative to GND | V_{t2} | -0.5 | $V_{CC} + 0.5$ | V |
| Power dissipation | P_D | – | 1.0 | W |
| Storage temperature (plastic) | T_{stg} | -65 | +150 | $^{\circ}C$ |
| Temperature with V_{CC} applied | T_{bias} | -55 | +125 | $^{\circ}C$ |
| DC current into output (low) | I_{OUT} | – | 20 | mA |

NOTE: Stresses greater than those listed under *Absolute Maximum Ratings* may cause permanent damage to the device. This is a stress rating only and functional operation of the device at these or any other conditions outside those indicated in the operational sections of this specification is not implied. Exposure to absolute maximum rating conditions for extended periods may affect reliability.

Truth table

| \overline{CE} | \overline{WE} | \overline{OE} | Data | Mode |
|-----------------|-----------------|-----------------|-----------|----------------------------------|
| H | X | X | High Z | Standby (I_{SB} , I_{SB1}) |
| L | H | H | High Z | Output disable (I_{CC}) |
| L | H | L | D_{OUT} | Read (I_{CC}) |
| L | L | X | D_{IN} | Write (I_{CC}) |

Key: X = Don't care, L = Low, H = High



Recommended operating condition

| Parameter | Symbol | Min | Nominal | Max | Unit |
|-------------------------------|-----------------------|------|---------|----------------|------|
| Supply voltage | $V_{CC}(10/12/15/20)$ | 3.0 | 3.3 | 3.6 | V |
| Input voltage | V_{IH}^{**} | 2.0 | – | $V_{CC} + 0.5$ | V |
| | V_{IL}^* | –0.5 | – | 0.8 | V |
| Ambient operating temperature | commercial T_A | 0 | – | 70 | °C |
| | industrial T_A | –40 | – | 85 | °C |

* V_{IL} min = –1.0V for pulse width less than 5ns.

** V_{IH} max = $V_{CC} + 2.0V$ for pulse width less than 5ns.

DC operating characteristics (over the operating range)¹

| Parameter | Symbol | Test conditions | –10 | | –12 | | –15 | | –20 | | Unit | |
|--------------------------------|------------|--|------------|-----|-----|-----|-----|-----|-----|-----|------|----|
| | | | Min | Max | Min | Max | Min | Max | Min | Max | | |
| Input leakage current | $ I_{LI} $ | $V_{CC} = \text{Max}, V_{IN} = \text{GND to } V_{CC}$ | – | 1 | – | 1 | – | 1 | – | 1 | μA | |
| Output leakage current | $ I_{LO} $ | $V_{CC} = \text{Max}, \overline{CE} = V_{IH}$ $V_{OUT} = \text{GND to } V_{CC}$ | – | 1 | – | 1 | – | 1 | – | 1 | μA | |
| Operating power supply current | I_{CC} | $V_{CC} = \text{Max}, \overline{CE} \leq V_{IL}$ $f = f_{\text{Max}}, I_{OUT} = 0\text{mA}$ | Industrial | – | 180 | – | 160 | – | 140 | – | 110 | mA |
| | | | Commercial | – | 170 | – | 150 | – | 130 | – | 100 | mA |
| Standby power supply current | I_{SB} | $V_{CC} = \text{Max}, \overline{CE} \geq V_{IH}, f = f_{\text{Max}}$ | – | 60 | – | 60 | – | 60 | – | 60 | mA | |
| | I_{SB1} | $V_{CC} = \text{Max},$ $\overline{CE} \geq V_{CC} - 0.2V,$ $V_{IN} \leq 0.2V$ or $V_{IN} \geq V_{CC} - 0.2V,$ $f = 0$ | – | 8 | – | 8 | – | 8 | – | 8 | mA | |
| Output voltage | V_{OL} | $I_{OL} = 8 \text{ mA}, V_{CC} = \text{Min}$ | – | 0.4 | – | 0.4 | – | 0.4 | – | 0.4 | V | |
| | V_{OH} | $I_{OH} = -4 \text{ mA}, V_{CC} = \text{Min}$ | 2.4 | – | 2.4 | – | 2.4 | – | 2.4 | – | V | |

Capacitance ($f = 1\text{MHz}, T_a = 25^\circ \text{C}, V_{CC} = \text{NOMINAL}$)²

| Parameter | Symbol | Signals | Test conditions | Max | Unit |
|-------------------|-----------|--|-------------------------|-----|------|
| Input capacitance | C_{IN} | A, $\overline{CE}, \overline{WE}, \overline{OE}$ | $V_{IN} = 0V$ | 5 | pF |
| I/O capacitance | $C_{I/O}$ | I/O | $V_{IN} = V_{OUT} = 0V$ | 7 | pF |



Read cycle (over the operating range)^{3,9}

| Parameter | Symbol | -10 | | -12 | | -15 | | -20 | | Unit | Notes |
|---|-----------|-----|-----|-----|-----|-----|-----|-----|-----|------|-------|
| | | Min | Max | Min | Max | Min | Max | Min | Max | | |
| Read cycle time | t_{RC} | 10 | – | 12 | – | 15 | – | 20 | – | ns | |
| Address access time | t_{AA} | – | 10 | – | 12 | – | 15 | – | 20 | ns | 3 |
| Chip enable (\overline{CE}) access time | t_{ACE} | – | 10 | – | 12 | – | 15 | – | 20 | ns | 3 |
| Output enable (\overline{OE}) access time | t_{OE} | – | 4 | – | 5 | – | 6 | – | 7 | ns | |
| Output hold from address change | t_{OH} | 3 | – | 3 | – | 3 | – | 3 | – | ns | 5 |
| \overline{CE} Low to output in low Z | t_{CLZ} | 3 | – | 3 | – | 3 | – | 3 | – | ns | 4, 5 |
| \overline{CE} High to output in high Z | t_{CHZ} | – | 5 | – | 6 | – | 7 | – | 9 | ns | 4, 5 |
| \overline{OE} Low to output in low Z | t_{OLZ} | 0 | – | 0 | – | 0 | – | 0 | – | ns | 4, 5 |
| \overline{OE} High to output in high Z | t_{OHZ} | – | 5 | – | 6 | – | 7 | – | 9 | ns | 4, 5 |
| Power up time | t_{PU} | 0 | – | 0 | – | 0 | – | 0 | – | ns | 4, 5 |
| Power down time | t_{PD} | – | 10 | – | 12 | – | 15 | – | 20 | ns | 4, 5 |

Key to switching waveforms

Rising input

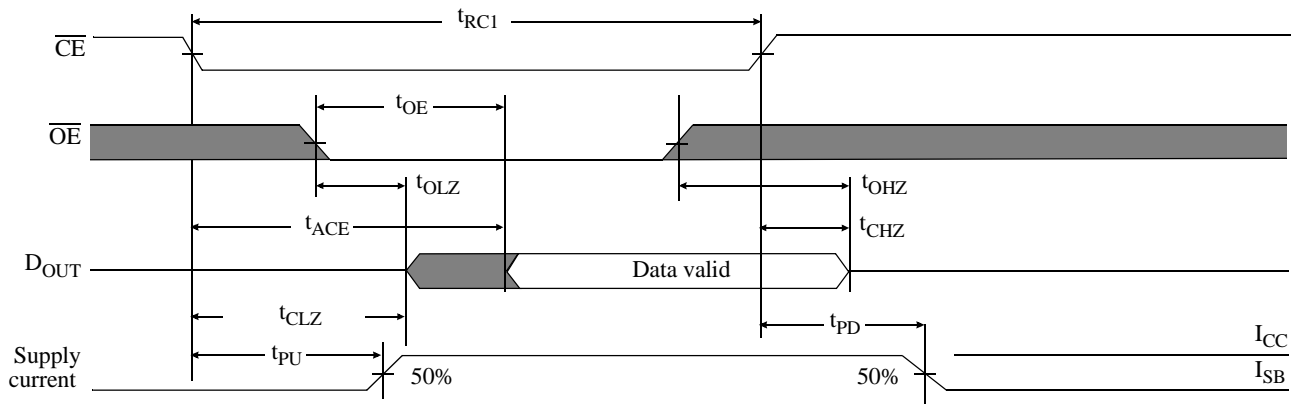
Falling input

Undefined/don't care

Read waveform 1 (address controlled)^{3,6,7,9}



Read waveform 2 (\overline{CE} , \overline{OE} controlled)^{3,6,8,9}





Write cycle (over the operating range)¹⁰

| Parameter | Symbol | -10 | | -12 | | -15 | | -20 | | Unit | Notes |
|---|-----------|-----|-----|-----|-----|-----|-----|-----|-----|------|-------|
| | | Min | Max | Min | Max | Min | Max | Min | Max | | |
| Write cycle time | t_{WC} | 10 | – | 12 | – | 15 | – | 20 | – | ns | |
| Chip enable (\overline{CE}) to write end | t_{CW} | 7 | – | 8 | – | 10 | – | 12 | – | ns | |
| Address setup to write end | t_{AW} | 7 | – | 8 | – | 10 | – | 12 | – | ns | |
| Address setup time | t_{AS} | 0 | – | 0 | – | 0 | – | 0 | – | ns | |
| Write pulse width ($\overline{OE} = \text{high}$) | t_{WP1} | 7 | – | 8 | – | 10 | – | 12 | – | ns | |
| Write pulse width ($\overline{OE} = \text{low}$) | t_{WP2} | 10 | – | 12 | – | 15 | – | 20 | – | ns | |
| Address hold from end of write | t_{AH} | 0 | – | 0 | – | 0 | – | 0 | – | ns | |
| Write recovery time | t_{WR} | 0 | – | 0 | – | 0 | – | 0 | – | ns | |
| Data valid to write end | t_{DW} | 5 | – | 6 | – | 7 | – | 9 | – | ns | |
| Data hold time | t_{DH} | 0 | – | 0 | – | 0 | – | 0 | – | ns | 4, 5 |
| Write enable to output in high Z | t_{WZ} | 0 | 5 | 0 | 6 | 0 | 7 | 0 | 9 | ns | 4, 5 |
| Output active from write end | t_{OW} | 3 | – | 3 | – | 3 | – | 3 | – | ns | 4, 5 |

Write waveform 1 (\overline{WE} controlled)¹⁰





Write waveform 2 ($\overline{\text{CE}}$ controlled)¹⁰



AC test conditions

- Output load: see Figure B.
- Input pulse level: GND to 3.0V. See Figures A and B.
- Input rise and fall times: 2 ns. See Figure A.
- Input and output timing reference levels: 1.5V.

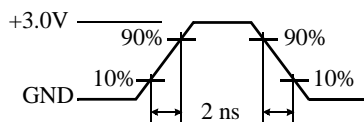


Figure A: Input pulse



Figure B: 3.3V Output load

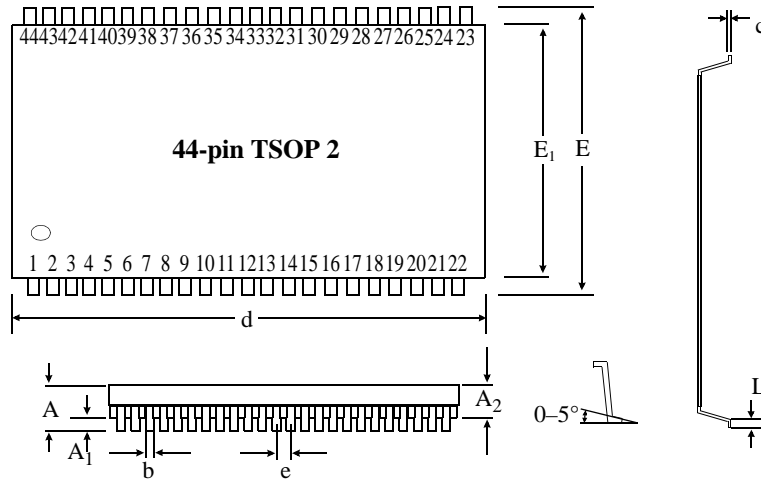


Notes

- 1 During V_{CC} power-up, a pull-up resistor to V_{CC} on $\overline{\text{CE}}$ is required to meet I_{SB} specification.
- 2 This parameter is sampled, but not 100% tested.
- 3 For test conditions, see *AC Test Conditions*.
- 4 t_{CLZ} and t_{CHZ} are specified with $C_L = 5\text{pF}$ as in Figure B. Transition is measured $\pm 500\text{ mV}$ from steady-state voltage.
- 5 This parameter is guaranteed, but not tested.
- 6 $\overline{\text{WE}}$ is HIGH for read cycle.
- 7 $\overline{\text{CE}}$ and $\overline{\text{OE}}$ are LOW for read cycle.
- 8 Address valid prior to or coincident with $\overline{\text{CE}}$ transition Low.
- 9 All read cycle timings are referenced from the last valid address to the first transitioning address.
- 10 All write cycle timings are referenced from the last valid address to the first transitioning address.
- 11 $C = 30\text{pF}$, except on High Z and Low Z parameters, where $C = 5\text{pF}$.



Package dimensions



| | 44-pin TSOP 2 | |
|----------------------|----------------|---------|
| | Min(mm) | Max(mm) |
| A | | 1.2 |
| A₁ | 0.05 | 0.15 |
| A₂ | 0.95 | 1.05 |
| b | 0.30 | 0.45 |
| c | 0.12 | 0.21 |
| d | 18.31 | 18.52 |
| E₁ | 10.06 | 10.26 |
| E | 11.68 | 11.94 |
| e | 0.80 (typical) | |
| L | 0.40 | 0.60 |



| | 36-pin SOJ 400 | |
|----------------------|----------------|-----------|
| | Min(mils) | Max(mils) |
| A | 0.128 | 0.148 |
| A₁ | 0.025 | – |
| A₂ | 0.105 | 0.115 |
| b | 0.015 | 0.020 |
| b₁ | 0.026 | 0.032 |
| c | 0.007 | 0.013 |
| D | .920 | .930 |
| e | 0.045 | 0.055 |
| E | 0.370 BSC | |
| E₁ | 0.395 | 0.405 |
| E₂ | 0.435 | 0.445 |



Ordering codes

| Package | Temperature | 10 ns | 12 ns | 15 ns | 20 ns |
|---------|-------------|-----------------|-----------------|-----------------|-----------------|
| SOJ | Commercial | AS7C34096A-10JC | AS7C34096A-12JC | AS7C34096A-15JC | AS7C34096A-20JC |
| | Industrial | AS7C34096A-10JI | AS7C34096A-12JI | AS7C34096A-15JI | AS7C34096A-20JI |
| TSOP 2 | Commercial | AS7C34096A-10TC | AS7C34096A-12TC | AS7C34096A-15TC | AS7C34096A-20TC |
| | Industrial | AS7C34096A-10TI | AS7C34096A-12TI | AS7C34096A-15TI | AS7C34096A-20TI |

Note: Add suffix 'N' to the above part number for Lead Free Parts. (Ex: AS7C34096A - 10 TIN)

Part numbering system

| AS7C | X | 4096A | -XX | J or T | X | X |
|----------------|---------------------------|------------------|-------------|--|---|-------------------|
| SRAM prefix | Voltage: 3 - 3.3V CMOS | Device number | Access time | Packages: J: SOJ 400 mil T: TSOP 2 | Temperature ranges: C: Commercial, 0°C to 70°C I: Industrial, -40°C to 85°C | N=Lead Free Parts |



AS7C34096A



Alliance Semiconductor Corporation
2575, Augustine Drive,
Santa Clara, CA 95054
Tel: 408 - 855 - 4900
Fax: 408 - 855 - 4999
www.alsc.com

Copyright © Alliance Semiconductor
All Rights Reserved
Part Number: AS7C34096A
Document Version: v. 2.1

© Copyright 2003 Alliance Semiconductor Corporation. All rights reserved. Our three-point logo, our name and Intelliwatt are trademarks or registered trademarks of Alliance. All other brand and product names may be the trademarks of their respective companies. Alliance reserves the right to make changes to this document and its products at any time without notice. Alliance assumes no responsibility for any errors that may appear in this document. The data contained herein represents Alliance's best data and/or estimates at the time of issuance. Alliance reserves the right to change or correct this data at any time, without notice. If the product described herein is under development, significant changes to these specifications are possible. The information in this product data sheet is intended to be general descriptive information for potential customers and users, and is not intended to operate as, or provide, any guarantee or warranty to any user or customer. Alliance does not assume any responsibility or liability arising out of the application or use of any product described herein, and disclaims any express or implied warranties related to the sale and/or use of Alliance products including liability or warranties related to fitness for a particular purpose, merchantability, or infringement of any intellectual property rights, except as expressly agreed to in Alliance's Terms and Conditions of Sale (which are available from Alliance). All sales of Alliance products are made exclusively according to Alliance's Terms and Conditions of Sale. The purchase of products from Alliance does not convey a license under any patent rights, copyrights, mask works rights, trademarks, or any other intellectual property rights of Alliance or third parties. Alliance does not authorize its products for use as critical components in life-supporting systems where a malfunction or failure may reasonably be expected to result in significant injury to the user, and the inclusion of Alliance products in such life-supporting systems implies that the manufacturer assumes all risk of such use and agrees to indemnify Alliance against all claims arising from such use.



Стандарт Электрон Связь

Мы молодая и активно развивающаяся компания в области поставок электронных компонентов. Мы поставляем электронные компоненты отечественного и импортного производства напрямую от производителей и с крупнейших складов мира.

Благодаря сотрудничеству с мировыми поставщиками мы осуществляем комплексные и плановые поставки широчайшего спектра электронных компонентов.

Собственная эффективная логистика и склад в обеспечивает надежную поставку продукции в точно указанные сроки по всей России.

Мы осуществляем техническую поддержку нашим клиентам и предпродажную проверку качества продукции. На все поставляемые продукты мы предоставляем гарантию .

Осуществляем поставки продукции под контролем ВП МО РФ на предприятия военно-промышленного комплекса России , а также работаем в рамках 275 ФЗ с открытием отдельных счетов в уполномоченном банке. Система менеджмента качества компании соответствует требованиям ГОСТ ISO 9001.

Минимальные сроки поставки, гибкие цены, неограниченный ассортимент и индивидуальный подход к клиентам являются основой для выстраивания долгосрочного и эффективного сотрудничества с предприятиями радиоэлектронной промышленности, предприятиями ВПК и научно-исследовательскими институтами России.

С нами вы становитесь еще успешнее!

Наши контакты:

Телефон: +7 812 627 14 35

Электронная почта: sales@st-electron.ru

Адрес: 198099, Санкт-Петербург,
Промышленная ул, дом № 19, литера Н,
помещение 100-Н Офис 331