



Precision, 8-Channel/Dual 4-Channel, Low-Voltage, CMOS Analog Multiplexers

MAX398/MAX399

General Description

The MAX398/MAX399 precision, monolithic, CMOS analog multiplexers (muxes) offer low on-resistance (less than 100Ω), which is matched to within 6Ω between channels and remains flat over the specified analog signal range (11Ω max). They also offer low leakage over temperature (NO off-leakage current less than 2.5nA at +85°C) and fast switching speeds (transition time less than 250ns). The MAX398 is an 8-channel device, and the MAX399 is a dual 4-channel device.

The MAX398/MAX399 are fabricated with Maxim's low-voltage silicon-gate process. Design improvements yield extremely low charge injection (less than 5pC) and guarantee electrostatic discharge protection (ESD) greater than 2000V.

These muxes operate with a single +3V to +15V supply or bipolar ±3V to ±8V supplies, while retaining CMOS-logic input compatibility and fast switching. CMOS inputs provide reduced input loading. The MAX398/MAX399 are pin compatible with the industry-standard DG408, DG409, DG508A, and DG509A.

Applications

- Sample-and-Hold Circuits
- Automatic Test Equipment
- Heads-Up Displays
- Guidance and Control Systems
- Military Radios
- Communications Systems
- Battery-Operated Systems
- PBX, PABX
- Audio Signal Routing
- Low-Voltage Data-Acquisition Systems

Features

- ◆ Pin Compatible with Industry-Standard DG408/DG409/DG508A/DG509A
- ◆ Guaranteed On-Resistance Match Between Channels (< 6Ω)
- ◆ Low On-Resistance (< 100Ω)
- ◆ Guaranteed Flat On-Resistance over Signal Range (< 11Ω)
- ◆ Guaranteed Low Charge Injection (< 5pC)
- ◆ NO Off-Leakage Current < 1nA at +85°C
- ◆ COM Off-Leakage Current < 2.5nA at +85°C
- ◆ ESD Protection > 2000V
- ◆ +3V to +15V Single-Supply Operation
- ◆ ±3V to ±8V Bipolar-Supply Operation
- ◆ Low Power Consumption (< 300μW)
- ◆ Rail-to-Rail Signal Handling
- ◆ TTL/CMOS-Logic Compatible

Ordering Information

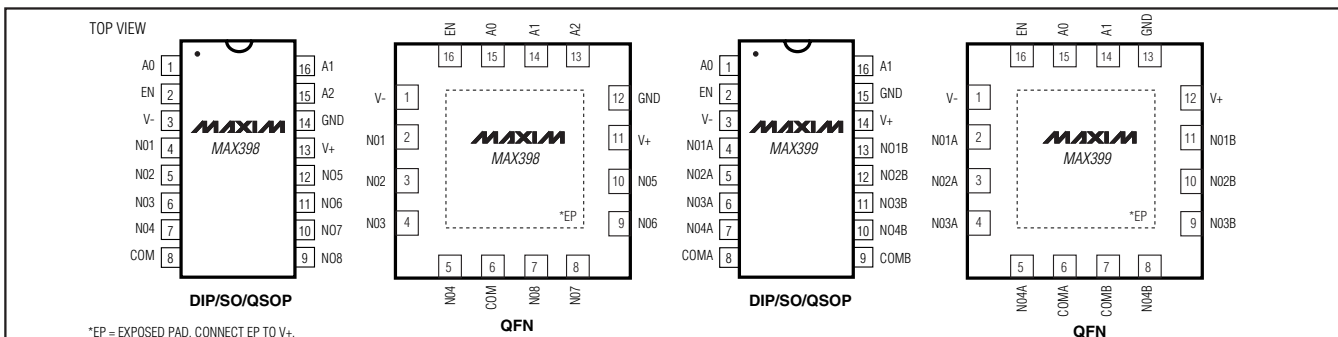
PART	TEMP RANGE	PIN-PACKAGE	PKG CODE
MAX398CGE	0°C to +70°C	16 QFN-EP*	G1655-3
MAX398CEE	0°C to +70°C	16 QSOP	E16-1
MAX398CSE	0°C to +70°C	16 Narrow	S16-1
MAX398CPE	0°C to +70°C	16 Plastic	P16-1
MAX398C/D	0°C to +70°C	Dice**	—
MAX398EGE	-40°C to + 85°C	16 QFN-EP*	G1655-3
MAX398EEE	-40°C to + 85°C	16 QSOP	E16-1
MAX398ESE	-40°C to + 85°C	16 Narrow	S16-1
MAX398EPE	-40°C to + 85°C	16 Plastic	P16-1
MAX398EJE	-40°C to + 85°C	16 CERDIP	J16-1
MAX398MJE	-55°C to +125°C	16 CERDIP	J16-1

Ordering Information continued at end of data sheet.

*EP = Exposed pad.

**Contact factory for dice specifications.

Pin Configurations



Precision, 8-Channel/Dual 4-Channel, Low-Voltage, CMOS Analog Multiplexers

ABSOLUTE MAXIMUM RATINGS

Voltage Referenced to GND

V+	-0.3V to +17V
V-	+0.3V to -17V
V+ to V-	-0.3V to +17V
Voltage into Any Terminal (Note 1)	(V- - 2V) to (V+ + 2V) or 30mA (whichever occurs first)

Current into Any Terminal	.30mA
Peak Current, Any Terminal (pulsed at 1ms, 10% duty cycle max)	.40mA

Continuous Power Dissipation (T_A = +70°C)

QFN (derate 18.5mW/°C above +70°C)	1484mW
QSOP (derate 8.3mW/°C above +70°C)	667mW
Narrow SO (derate 8.7mW/°C above +70°C)	696mW
Plastic DIP (derate 7.5mW/°C above +70°C)	470mW
CERDIP (derate 10.0mW/°C above +70°C)	900mW

Operating Temperature Ranges

MAX39_C_	0°C to +70°C
MAX39_E_	-40°C to +85°C
MAX39_MJE	-55°C to +125°C

Storage Temperature Range

Lead Temperature (soldering, 10s)

Note 1: Signals on any terminal exceeding V+ or V- are clamped by internal diodes. Limit forward current to maximum current ratings.

Stresses beyond those listed under "Absolute Maximum Ratings" may cause permanent damage to the device. These are stress ratings only, and functional operation of the device at these or any other conditions beyond those indicated in the operational sections of the specifications is not implied. Exposure to absolute maximum rating conditions for extended periods may affect device reliability.

ELECTRICAL CHARACTERISTICS—Dual Supplies

(V+ = +5V ±10%, V- = -5V ±10%, GND = 0, V_{AH} = V_{ENH} = +2.4V, V_{AL} = V_{ENL} = +0.8V, T_A = T_{MIN} to T_{MAX}, unless otherwise noted.)

PARAMETER	SYMBOL	CONDITIONS		MIN	TYP (Note 2)	MAX	UNITS	
SWITCH								
Analog Signal Range	V _{COM} , V _{NO}	(Note 3)		V-		V+	V	
Channel On-Resistance	R _{ON}	I _{NO} = 1mA, V _{COM} = ±3.5V	T _A = +25°C	60	100		Ω	
			T _A = T _{MIN} to T _{MAX}			125		
R _{ON} Matching Between Channels (Note 4)	ΔR _{ON}	I _{NO} = 1mA, V _{COM} = ±3.5V, V+ = 5V, V- = -5V	T _A = +25°C		6		Ω	
			T _A = T _{MIN} to T _{MAX}			8		
On-Resistance Flatness (Note 5)	R _{FLAT(ON)}	I _{NO} = 1mA, V _{COM} = ±3V, V+ = 5V, V- = -5V	T _A = +25°C		11		Ω	
			T _A = T _{MIN} to T _{MAX}			14		
NO Off-Leakage Current (Note 6)	I _{NO(OFF)}	V _{NO} = ±4.5V, V _{COM} = ∓4.5V, V+ = 5.5V, V- = -5.5V	T _A = +25°C	-0.1		+0.1	nA	
			T _A = T _{MIN} to T _{MAX}	C, E	-1.0	+1.0		
				M	-10	+10		
COM Off-Leakage Current (Note 6)	I _{COM(OFF)}	V _{COM} = ±4.5V, V _{NO} = ∓4.5V, V+ = 5.5V, V- = -5.5V	MAX398	T _A = +25°C	-0.2	+0.2	nA	
				T _A = T _{MIN} to T _{MAX}	C, E	-2.5		+2.5
					M	-20		+20
			MAX399	T _A = +25°C	-0.1	+0.1		
				T _A = T _{MIN} to T _{MAX}	C, E	-1.5		+1.5
					M	-10		+10
COM On-Leakage Current (Note 6)	I _{COM(ON)}	V _{COM} = ±4.5V, V _{NO} = ±4.5V	MAX398	T _A = +25°C	-0.4	+0.4	nA	
				T _A = T _{MIN} to T _{MAX}	C, E	-5		+5
					M	-40		+40
			MAX399	T _A = +25°C	-0.2	+0.2		
				T _A = T _{MIN} to T _{MAX}	C, E	-2.5		+2.5
					M	-20		+20

Precision, 8-Channel/Dual 4-Channel, Low-Voltage, CMOS Analog Multiplexers

ELECTRICAL CHARACTERISTICS—Dual Supplies (continued)

(V₊ = +5V ±10%, V₋ = -5V ±10%, GND = 0, V_{AH} = V_{ENH} = +2.4V, V_{AL} = V_{ENL} = +0.8V, T_A = T_{MIN} to T_{MAX}, unless otherwise noted.)

PARAMETER	SYMBOL	CONDITIONS	MIN	TYP (Note 2)	MAX	UNITS	
DIGITAL LOGIC INPUT							
Logic-High Input Voltage	V _{AH} , V _{ENH}		T _A = T _{MIN} to T _{MAX}		2.4	V	
Logic-Low Input Voltage	V _{AL} , V _{ENL}		T _A = T _{MIN} to T _{MAX}		0.8	V	
Input Current with Input-Voltage High	I _{AH} , I _{ENH}	V _A = V _{EN} = 2.4V	-0.1		+0.1	μA	
Input Current with Input-Voltage Low	I _{AL} , I _{ENL}	V _A = V _{EN} = 0.8V	-0.1		+0.1	μA	
SUPPLY							
Power-Supply Range			±3		±8	V	
Positive Supply Current	I ₊	V _{EN} = V _A = 0V/V ₊ , V ₊ = 5.5V, V ₋ = -5.5V	T _A = +25°C		-1	+1	μA
Negative Supply Current	I ₋	V _{EN} = V _A = 0V/V ₊ , V ₊ = 5.5V, V ₋ = -5.5V	T _A = T _{MIN} to T _{MAX}		-1	+1	μA
Ground Current	I _{GND}	V _{EN} = V _A = 0V/V ₊ , V ₊ = 5.5V, V ₋ = -5.5V	T _A = +25°C		-1	+1	μA
			T _A = T _{MIN} to T _{MAX}		-1	+1	
DYNAMIC							
Transition Time	t _{TRANS}	Figure 2			150	ns	
Break-Before-Make Interval	t _{OPEN}	Figure 4	T _A = +25°C		0	40	ns
Enable Turn-On Time	t _{ON(EN)}	Figure 3	T _A = +25°C		60	150	ns
			T _A = T _{MIN} to T _{MAX}			250	
Enable Turn-Off Time	t _{OFF(EN)}	Figure 3	T _A = +25°C		40	150	ns
			T _A = T _{MIN} to T _{MAX}			200	
Charge Injection (Note 3)	Q	C _L = 10nF, V _S = 0, R _S = 0Ω	T _A = +25°C		2	5	pC
Off-Isolation (Note 7)		V _{EN} = 0, R _L = 1kΩ, f = 100kHz	T _A = +25°C		-75		dB
Crosstalk Between Channels	V _{CT}	V _{EN} = 2.4V, f = 100kHz, V _{GEN} = 1V _{P-P} , R _L = 1kΩ	T _A = +25°C		-92		dB
Logic Input Capacitance	C _{IN}	f = 1MHz	T _A = +25°C		8		pF
NO Off-Capacitance	C _{NO(OFF)}	f = 1MHz, V _{EN} = V _D = 0V	T _A = +25°C		11		pF
COM Off-Capacitance	C _{COM(OFF)}	f = 1MHz, V _{EN} = V _D = 0V	MAX398	T _A = +25°C	40	pF	
			MAX399		20		
COM On-Capacitance	C _{COM(ON)}	f = 1MHz, V _{EN} = V _D = 0V	MAX398	T _A = +25°C	54	pF	
			MAX399		34		

MAX398/MAX399

Precision, 8-Channel/Dual 4-Channel, Low-Voltage, CMOS Analog Multiplexers

ELECTRICAL CHARACTERISTICS—Single +5V

(V+ = 5V ±10%, V- = 0, GND = 0, VAH = VENH = +2.4V, VAL = VENL = +0.8V, TA = TMIN to TMAX, unless otherwise noted.)

PARAMETER	SYMBOL	CONDITIONS		MIN	TYP (Note 2)	MAX	UNITS	
SWITCH								
Analog Signal Range	V _{COM} , V _{NO}	(Note 3)		V-		V+	V	
On-Resistance	R _{ON}	I _{NO} = 1mA, V _{COM} = 3.5V, V+ = 4.5V	TA = +25°C	150	225		Ω	
			TA = T _{MIN} to T _{MAX}		280			
R _{ON} Matching Between Channels (Note 4)	ΔR _{ON}	I _{NO} = 1mA, V _{COM} = 3.5V, V+ = 4.5V	TA = +25°C		11		Ω	
			TA = T _{MIN} to T _{MAX}		13			
On-Resistance Flatness	R _{FLAT}	I _{NO} = 1mA; V _{COM} = 3V, 2V, 1V; V+ = 5V	TA = +25°C	10	18		Ω	
			TA = T _{MIN} to T _{MAX}	15	22			
NO Off-Leakage Current (Note 8)	I _{NO(OFF)}	V _{NO} = 4.5V, V _{COM} = 0, V+ = 5.5V	TA = +25°C	-0.1	+0.1		nA	
			TA = T _{MIN} to T _{MAX}	C, E	-1.0	+1.0		
				M	-10	+10		
COM Off-Leakage Current (Note 8)	I _{COM(OFF)}	V _{COM} = 4.5V, V _{NO} = 0, V+ = 5.5V	MAX398	TA = +25°C	-0.2	+0.2	nA	
				TA = T _{MIN} to T _{MAX}	C, E	-2.5		+2.5
		V _{COM} = 4.5V, V _{NO} = 0, V+ = 5.5V	MAX399		TA = +25°C	-0.1		+0.1
				TA = T _{MIN} to T _{MAX}	C, E	-1.5		+1.5
M	-10	+10						
	COM On-Leakage Current (Note 8)	I _{COM(ON)}	V _{COM} = 4.5V, V _{NO} = 4.5V, V+ = 5.5V	MAX398	TA = +25°C	-0.4	+0.4	nA
TA = T _{MIN} to T _{MAX}					C, E	-5	+5	
			MAX399	TA = +25°C	-0.2	+0.2		
TA = T _{MIN} to T _{MAX}				C, E	-2.5	+2.5		
	M	-20	+20					
DIGITAL LOGIC INPUT								
Logic-High Input Voltage	V _{AH} , V _{ENH}		TA = T _{MIN} to T _{MAX}	2.4			V	
Logic-Low Input Voltage	V _{AL} , V _{ENL}		TA = T _{MIN} to T _{MAX}			0.8	V	
Input Current with Input-Voltage High	I _{AH} , I _{ENH}	VA = VEN = 2.4V		-0.1		+0.1	μA	
Input Current with Input-Voltage Low	I _{AL} , I _{ENL}	VA = 0 VEN = 0.8V		-0.1		+0.1	μA	
SUPPLY								
Power-Supply Range				3		15	V	
Positive Supply Current	I+	VEN = VA = 0, V+; V+ = 5.5V; V- = 0		-1.0		+1.0	μA	
Negative Supply Current	I-	VEN = VA = 0V, V+; V+ = 5.5V; V- = 0		-1.0		+1.0	μA	
IGND Supply Current	IGND	VEN = V+, 0; VA = 0; V+ = 5.5V; V- = 0	TA = +25°C	-1.0		+1.0	μA	
			TA = T _{MIN} to T _{MAX}	-1.0		+1.0		

Precision, 8-Channel/Dual 4-Channel, Low-Voltage, CMOS Analog Multiplexers

MAX398/MAX399

ELECTRICAL CHARACTERISTICS—Single +5V (continued)

(V+ = 5V ±10%, V- = 0, GND = 0, VAH = VENH = +2.4V, VAL = VENL = +0.8V, TA = TMIN to TMAX, unless otherwise noted.)

PARAMETER	SYMBOL	CONDITIONS	MIN	TYP (Note 2)	MAX	UNITS
DYNAMIC						
Transition Time	tTRANS	VNO = 3V		90	245	ns
Break-Before-Make Interval	tOPEN		TA = +25°C	10	40	ns
Enable Turn-On Time	tON(EN)		TA = +25°C	90	200	ns
			TA = TMIN to TMAX		275	
Enable Turn-Off Time	tOFF(EN)		TA = +25°C	50	125	ns
			TA = TMIN to TMAX		200	
Charge Injection (Note 3)	Q	CL = 10nF, VS = 0, RS = 0Ω	TA = +25°C	1.5	5	pC

ELECTRICAL CHARACTERISTICS—Single +3V

(V+ = 3V ±10%, V- = 0, GND = 0, VAH = VENH = +2.4V, VAL = VENL = +0.8V, TA = TMIN to TMAX, unless otherwise noted.)

PARAMETER	SYMBOL	CONDITIONS	MIN	TYP (Note 2)	MAX	UNITS
SWITCH						
Analog Signal Range	VANALOG	(Note 3)	V-		V+	V
On-Resistance	RON	INO = 1mA, VCOM = 1.5V, V+ = 3V	TA = +25°C	230	375	Ω
			TA = TMIN to TMAX		425	
DYNAMIC						
Transition Time (Note 3)	tTRANS	Figure 2, VIN = 2.4V, VNO1 = 1.5V, VNO8 = 0	TA = +25°C	230	575	ns
Enable Turn-On Time (Note 3)	tON(EN)	Figure 3, VINH = 2.4V, VINL = 0, VNO1 = 1.5V	TA = +25°C	200	500	ns
Enable Turn-Off Time (Note 3)	tOFF(EN)	Figure 3, VINH = 2.4V, VINL = 0, VNO1 = 1.5V	TA = +25°C	75	400	ns
Charge Injection (Note 3)	Q	CL = 10nF, VS = 0, RS = 0Ω	TA = +25°C	1	5	pC

Note 2: The algebraic convention, where the most negative value is a minimum and the most positive value a maximum, is used in this data sheet.

Note 3: Guaranteed by design.

Note 4: $\Delta R_{ON} = R_{ONMAX} - R_{ONMIN}$.

Note 5: Flatness is defined as the difference between the maximum and minimum value of on-resistance as measured over the specified analog signal ranges, i.e., VNO = 3V to 0 and 0 to -3V.

Note 6: Leakage parameters are 100% tested at maximum rated hot operating temperature, and guaranteed by correlation at +25°C.

Note 7: Worst-case isolation is on channel 4 because of its proximity to the COM pin. Off-isolation = $20 \log V_{COM} / V_{NO}$, VCOM = output, VNO = input to off switch.

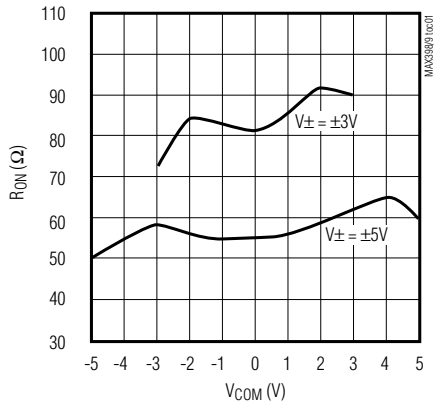
Note 8: Leakage testing at single supply is guaranteed by correlation testing with dual supplies.

Precision, 8-Channel/Dual 4-Channel, Low-Voltage, CMOS Analog Multiplexers

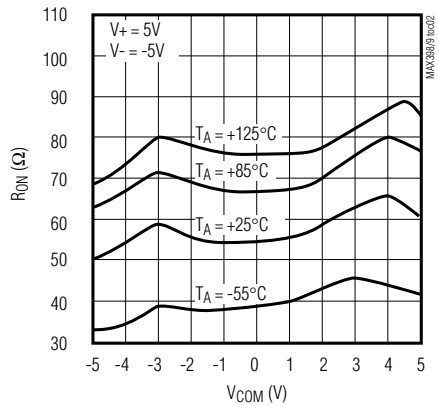
Typical Operating Characteristics

($T_A = +25^\circ\text{C}$, unless otherwise noted.)

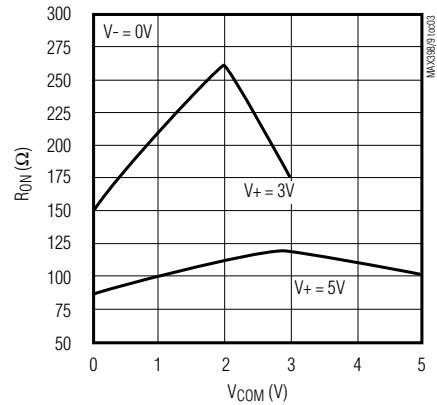
ON-RESISTANCE vs. V_{COM} (DUAL SUPPLIES)



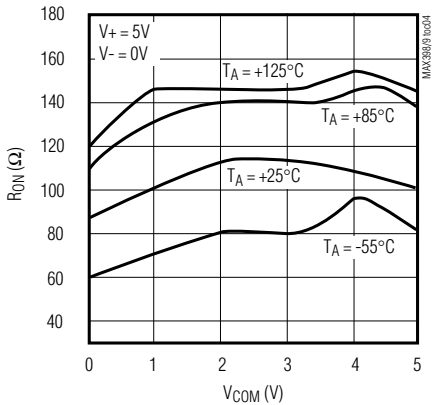
ON-RESISTANCE vs. V_{COM} AND TEMPERATURE (DUAL SUPPLIES)



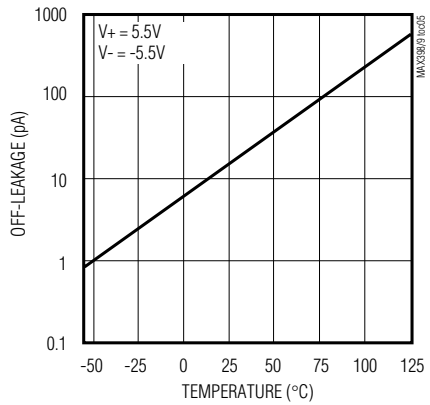
ON-RESISTANCE vs. V_{COM} (SINGLE SUPPLY)



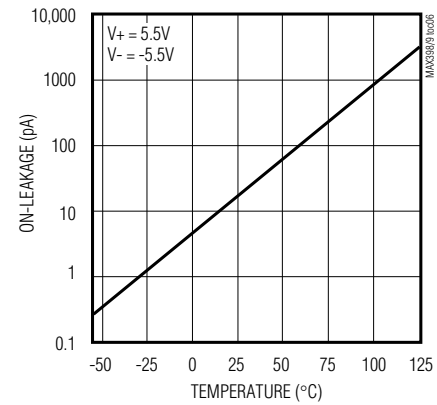
ON-RESISTANCE vs. V_{COM} AND TEMPERATURE (SINGLE SUPPLY)



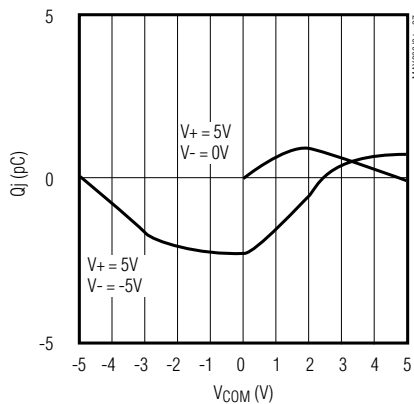
OFF-LEAKAGE vs. TEMPERATURE



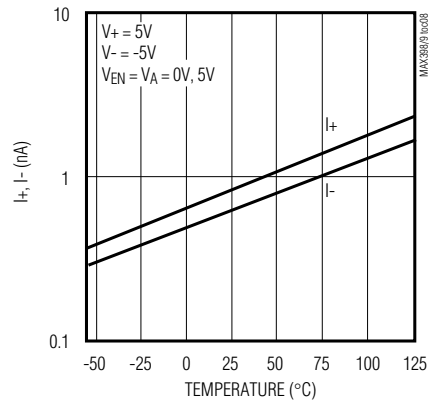
ON-LEAKAGE vs. TEMPERATURE



CHARGE INJECTION vs. V_{COM}



SUPPLY CURRENT vs. TEMPERATURE



Precision, 8-Channel/Dual 4-Channel, Low-Voltage, CMOS Analog Multiplexers

Pin Description

PIN				NAME	FUNCTION
MAX398		MAX399			
QSOP/DIP/ SO	QFN	QSOP/DIP/ SO	QFN		
1, 15, 16	15, 14, 13	—	—	A0, A2, A1	Address Inputs
—	—	1, 16	15, 14	A0, A1	Address Inputs
2	16	2	16	EN	Enable
3	1	3	1	V-	Negative-Supply Voltage Input
4-7	2-5	—	—	N01-N04	Analog Inputs—Bidirectional
—	—	4-7	2-5	N01A-N04A	Analog Inputs—Bidirectional
8	6	—	—	COM	Analog Output—Bidirectional
—	—	8, 9	6, 7	COMA, COMB	Analog Outputs—Bidirectional
9-12	7-10	—	—	N08-N05	Analog Inputs—Bidirectional
—	—	10-13	8-11	N04B-N01B	Analog Inputs—Bidirectional
13	11	14	12	V+	Positive-Supply Voltage Input
14	12	15	13	GND	Ground
—	EP	—	EP	EP	Exposed Pad. Connect to V+.

MAX398/MAX399

Precision, 8-Channel/Dual 4-Channel, Low-Voltage, CMOS Analog Multiplexers

Applications Information

Operation with Supply Voltages Other than $\pm 5V$

Using supply voltages less than $\pm 5V$ reduces the analog signal range. The MAX398/MAX399 muxes operate with $\pm 3V$ to $\pm 8V$ bipolar supplies or with a $+3V$ to $+15V$ single supply. Connect V^- to GND when operating with a single supply. Both device types can also operate with unbalanced supplies, such as $+10V$ and $-5V$. The *Typical Operating Characteristics* graphs show typical on-resistance with $\pm 3V$, $\pm 5V$, $+3V$, and $+5V$ supplies. (Switching times increase by a factor of two or more for operation at $+5V$.)

Overvoltage Protection

Proper power-supply sequencing is recommended for all CMOS devices. Do not exceed the absolute maximum ratings, because stresses beyond the listed ratings can cause permanent damage to the devices. Always sequence V^+ on first, then V^- , followed by the logic inputs, NO, or COM. If power-supply sequencing is not possible, add two small signal diodes (D1, D2) in series with supply pins for overvoltage protection (Figure 1). Adding diodes reduces the analog signal range to one diode drop below V^+ and one diode drop

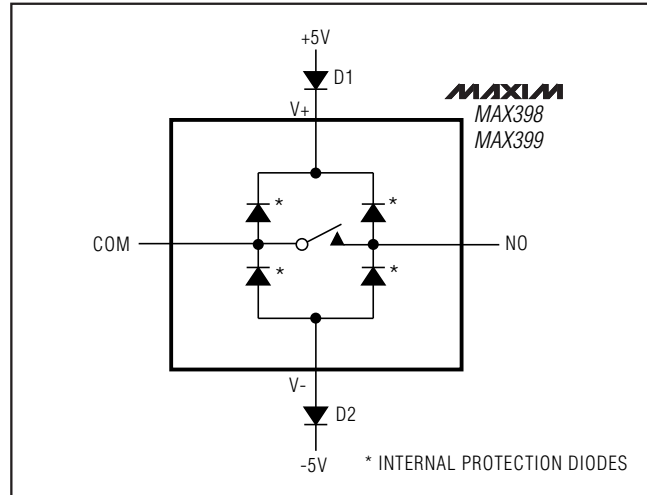


Figure 1. Overvoltage Protection Using External Blocking Diodes

above V^- , but does not affect the devices' low switch resistance and low leakage characteristics. Device operation is unchanged, and the difference between V^+ and V^- should not exceed $17V$. These protection diodes are not recommended when using a single supply.

Test Circuits/Timing Diagrams

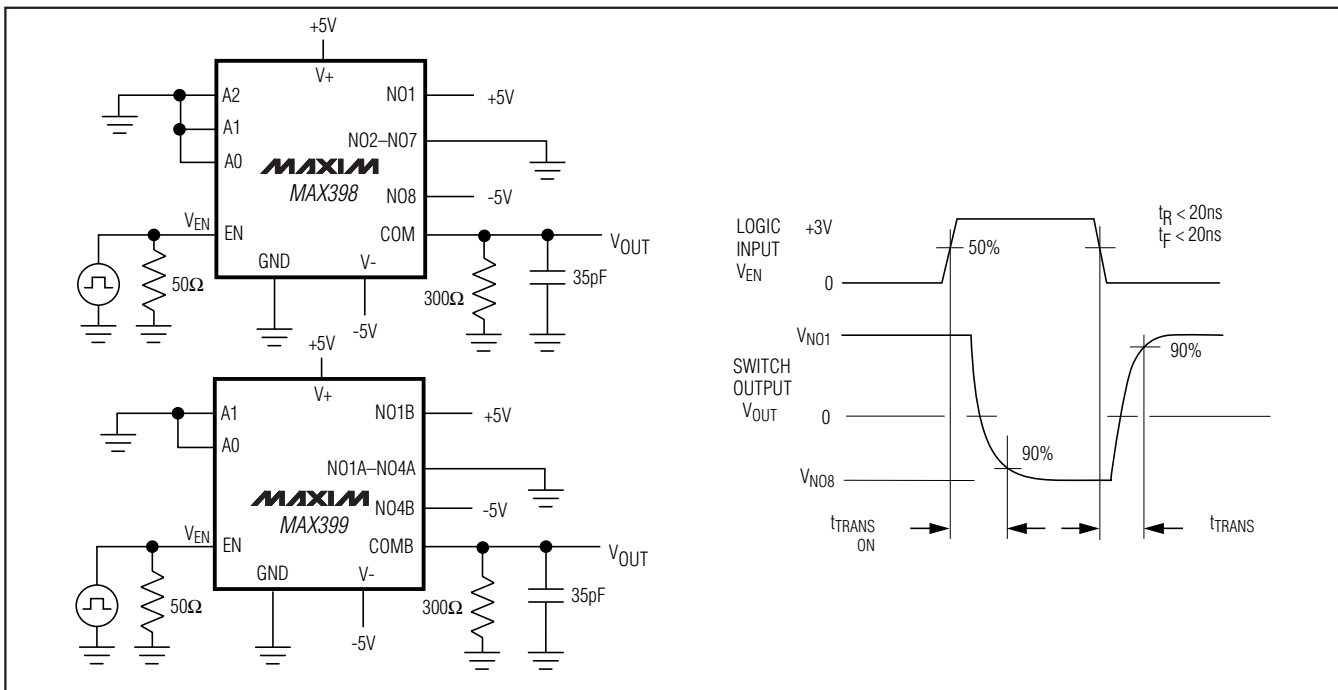


Figure 2. Transition Time

Precision, 8-Channel/Dual 4-Channel, Low-Voltage, CMOS Analog Multiplexers

Test Circuits/Timing Diagrams (continued)

MAX398/MAX399



Figure 3. Enable Switching Time



Figure 4. Break-Before-Make Interval

Precision, 8-Channel/Dual 4-Channel, Low-Voltage, CMOS Analog Multiplexers

Test Circuits/Timing Diagrams (continued)

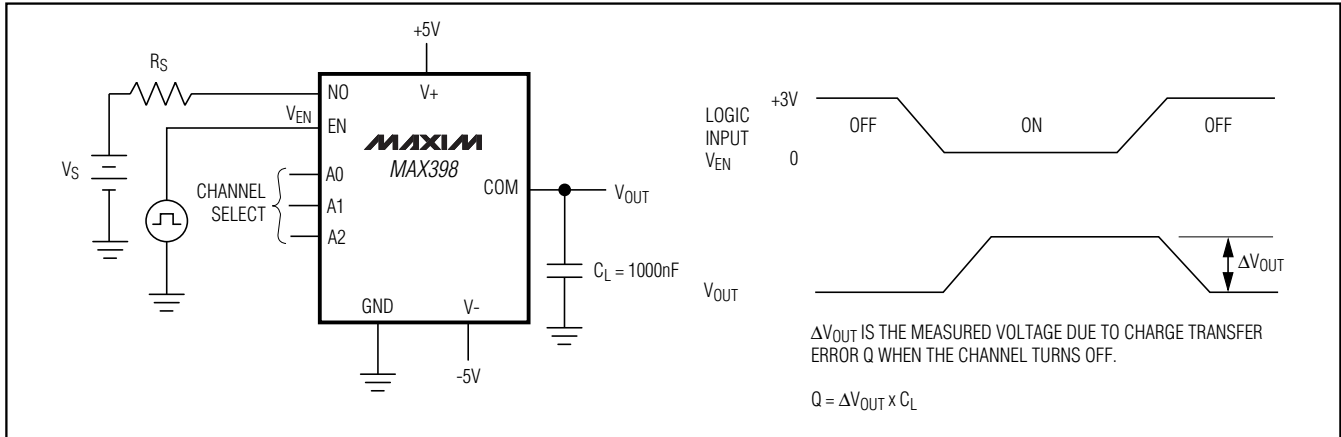


Figure 5. Charge Injection

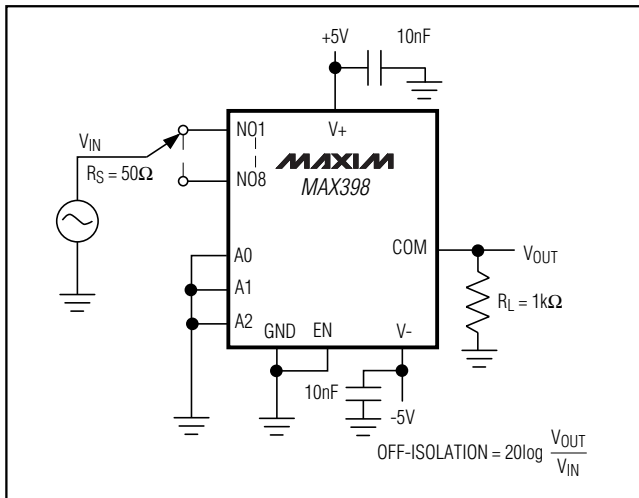


Figure 6. Off-Isolation

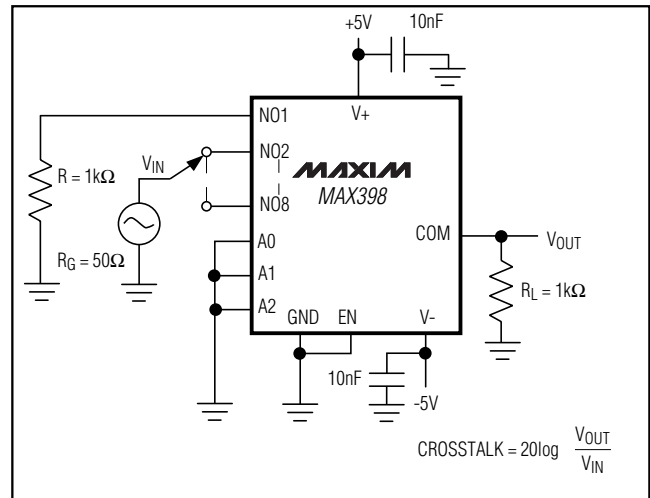


Figure 7. Crosstalk



Figure 8. NO/COM Capacitance

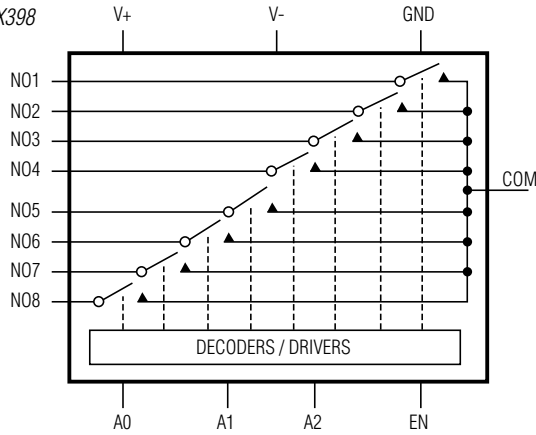
Precision, 8-Channel/Dual 4-Channel, Low-Voltage, CMOS Analog Multiplexers

Functional Diagrams/Truth Tables

MAX398/MAX399

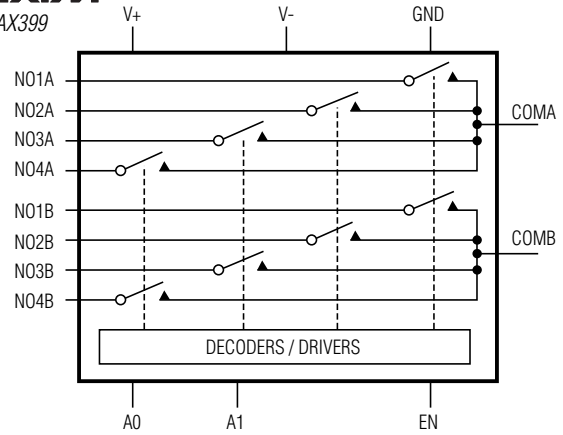
MAXIM

MAX398



MAXIM

MAX399



MAX398				
A2	A1	A0	EN	ON SWITCH
X	X	X	0	NONE
0	0	0	1	1
0	0	1	1	2
0	1	0	1	3
0	1	1	1	4
1	0	0	1	5
1	0	1	1	6
1	1	0	1	7
1	1	1	1	8

MAX399			
A1	A0	EN	ON SWITCH
X	X	0	NONE
0	0	1	1
0	1	1	2
1	0	1	3
1	1	1	4

LOGIC "0" $V_{AL} \leq +0.8\text{ V}$, LOGIC "1" $V_{AH} \geq +2.4\text{ V}$

Precision, 8-Channel/Dual 4-Channel, Low-Voltage, CMOS Analog Multiplexers

Ordering Information (continued)

PART	TEMP RANGE	PIN-PACKAGE	PKG CODE
MAX399CGE	0°C to +70°C	16 QFN-EP*	G1655-3
MAX399CEE	0°C to +70°C	16 QSOP	E16-1
MAX399CSE	0°C to +70°C	16 Narrow	S16-1
MAX399CPE	0°C to +70°C	16 Plastic	P16-1
MAX399C/D	0°C to +70°C	Dice**	—
MAX399EGE	-40°C to +85°C	16 QFN-EP*	G1655-3
MAX399EEE	-40°C to +85°C	16 QSOP	E16-1
MAX399ESE	-40°C to +85°C	16 Narrow	S16-1
MAX399EPE	-40°C to +85°C	16 Plastic	P16-1
MAX399EJE	-40°C to +85°C	16 CERDIP†	J16-1
MAX399MJE	-55°C to +125°C	16 CERDIP†	J16-1

*EP = Exposed pad.

**Contact factory for dice specifications.

†Contact factory for package availability.

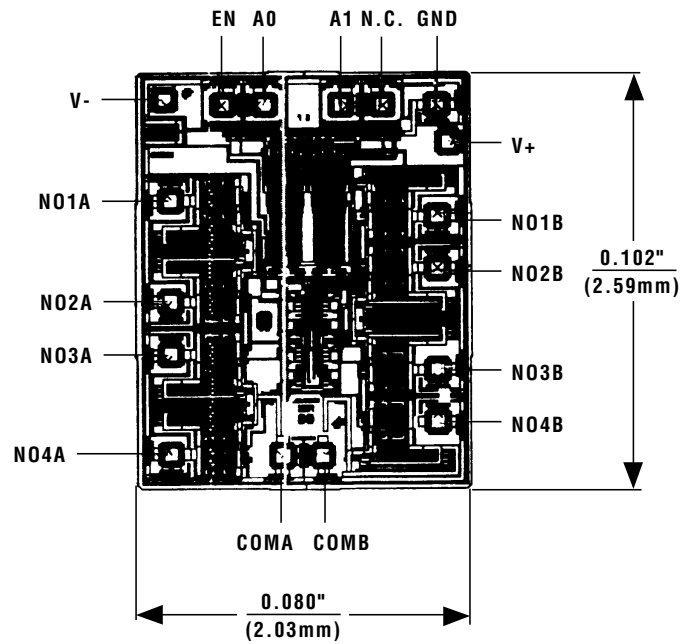
Chip Topographies

MAX398



TRANSISTOR COUNT: 161
SUBSTRATE CONNECTED TO V+

MAX399



TRANSISTOR COUNT: 161
SUBSTRATE CONNECTED TO V+

Precision, 8-Channel/Dual 4-Channel, Low-Voltage, CMOS Analog Multiplexers

Package Information

(The package drawing(s) in this data sheet may not reflect the most current specifications. For the latest package outline information, go to www.maxim-ic.com/packages.)

MAX398/MAX399



Precision, 8-Channel/Dual 4-Channel, Low-Voltage, CMOS Analog Multiplexers

Package Information (continued)

(The package drawing(s) in this data sheet may not reflect the most current specifications. For the latest package outline information, go to www.maxim-ic.com/packages.)

COMMON DIMENSIONS												
PKG	16L 5x5			20L 5x5			28L 5x5			32L 5x5		
SYMBOL	MIN.	NOM.	MAX.	MIN.	NOM.	MAX.	MIN.	NOM.	MAX.	MIN.	NOM.	MAX.
A	0.80	0.90	1.00	0.80	0.90	1.00	0.80	0.90	1.00	0.80	0.90	1.00
A1	0.00	0.01	0.05	0.00	0.01	0.05	0.00	0.01	0.05	0.00	0.01	0.05
A2	0.00	0.65	1.00	0.00	0.65	1.00	0.00	0.65	1.00	0.00	0.65	1.00
A3	0.20 REF			0.20 REF			0.20 REF			0.20 REF		
b	0.28	0.33	0.40	0.23	0.28	0.35	0.18	0.23	0.30	0.18	0.23	0.30
D	4.90	5.00	5.10	4.90	5.00	5.10	4.90	5.00	5.10	4.90	5.00	5.10
D1	4.75 BSC			4.75 BSC			4.75 BSC			4.75 BSC		
E	4.90	5.00	5.10	4.90	5.00	5.10	4.90	5.00	5.10	4.90	5.00	5.10
E1	4.75 BSC			4.75 BSC			4.75 BSC			4.75 BSC		
e	0.80 BSC			0.65 BSC			0.50 BSC			0.50 BSC		
k	0.25	-	-	0.25	-	-	0.25	-	-	0.25	-	-
L	0.35	0.55	0.75	0.35	0.55	0.75	0.35	0.55	0.75	0.30	0.40	0.50
N	16			20			28			32		
ND	4			5			7			8		
NE	4			5			7			8		
P	0.00	0.42	0.60	0.00	0.42	0.60	0.00	0.42	0.60	0.00	0.42	0.60
ϕ	0"			12"			0"			12"		

EXPOSED PAD VARIATIONS							
PKG. CODES	D2			E2			
	MIN.	NOM.	MAX.	MIN.	NOM.	MAX.	
G1655-3	2.95	3.10	3.25	2.95	3.10	3.25	
G2055-1	2.55	2.70	2.85	2.55	2.70	2.85	
G2055-2	2.95	3.10	3.25	2.95	3.10	3.25	
G2855-1	2.55	2.70	2.85	2.55	2.70	2.85	
G2855-2	2.95	3.10	3.25	2.95	3.10	3.25	
G3255-1	2.95	3.10	3.25	2.95	3.10	3.25	

NOTES:

- DIE THICKNESS ALLOWABLE IS 0.305mm MAXIMUM (.012 INCHES MAXIMUM)
- DIMENSIONING & TOLERANCES CONFORM TO ASME Y14.5M. - 1994.
- N IS THE NUMBER OF TERMINALS.
Nd IS THE NUMBER OF TERMINALS IN X-DIRECTION & Ne IS THE NUMBER OF TERMINALS IN Y-DIRECTION.
- DIMENSION b APPLIES TO PLATED TERMINAL AND IS MEASURED BETWEEN 0.20 AND 0.25mm FROM TERMINAL TIP.
- THE PIN #1 IDENTIFIER MUST BE EXISTED ON THE TOP SURFACE OF THE PACKAGE BY USING INDENTATION MARK OR INK/LASER MARKED. DETAILS OF PIN #1 IDENTIFIER IS OPTIONAL, BUT MUST BE LOCATED WITHIN ZONE INDICATED.
- EXACT SHAPE AND SIZE OF THIS FEATURE IS OPTIONAL.
- ALL DIMENSIONS ARE IN MILLIMETERS.
- PACKAGE WARPAGE MAX 0.05mm.
- APPLIED FOR EXPOSED PAD AND TERMINALS. EXCLUDE EMBEDDED PART OF EXPOSED PAD FROM MEASURING.
- MEETS JEDEC MO220; EXCEPT DIMENSION "b".
- APPLIED FOR EXPOSED PAD AND TERMINALS. EXCLUDE EMBEDDING PART OF EXPOSED PAD FROM MEASURING.
- THIS PACKAGE OUTLINE APPLIES TO ANVIL SINGULATION (STEPPED SIDES).

PROPRIETARY INFORMATION	
TITLE: PACKAGE OUTLINE, 16,20,28,32L QFN, 5x5x0.90 MM	
APPROVAL	DOCUMENT CONTROL NO. 21-0091
REV. 1	2/2

Precision, 8-Channel/Dual 4-Channel, Low-Voltage, CMOS Analog Multiplexers

Package Information (continued)

(The package drawing(s) in this data sheet may not reflect the most current specifications. For the latest package outline information, go to www.maxim-ic.com/packages.)



QSOP-EPS

MAX398/MAX399

Precision, 8-Channel/Dual 4-Channel, Low-Voltage, CMOS Analog Multiplexers

Package Information (continued)

(The package drawing(s) in this data sheet may not reflect the most current specifications. For the latest package outline information, go to www.maxim-ic.com/packages.)

SOICN EPSS



TOP VIEW



FRONT VIEW



SIDE VIEW


NOTES:

1. D&E DO NOT INCLUDE MOLD FLASH.
2. MOLD FLASH OR PROTRUSIONS NOT TO EXCEED 0.15mm (.006").
3. LEADS TO BE COPLANAR WITHIN 0.10mm (.004").
4. CONTROLLING DIMENSION: MILLIMETERS.
5. MEETS JEDEC MS012.
6. N = NUMBER OF PINS.

DIM	INCHES		MILLIMETERS	
	MIN	MAX	MIN	MAX
A	0.053	0.069	1.35	1.75
A1	0.004	0.010	0.10	0.25
B	0.014	0.019	0.35	0.49
C	0.007	0.010	0.19	0.25
e	0.050 BSC		1.27 BSC	
E	0.150	0.157	3.80	4.00
H	0.228	0.244	5.80	6.20
L	0.016	0.050	0.40	1.27

VARIATIONS:

DIM	INCHES		MILLIMETERS		N	MS012
	MIN	MAX	MIN	MAX		
D	0.189	0.197	4.80	5.00	8	AA
D	0.337	0.344	8.55	8.75	14	AB
D	0.386	0.394	9.80	10.00	16	AC

PROPRIETARY INFORMATION

TITLE:
PACKAGE OUTLINE, .150" SOIC

APPROVAL	DOCUMENT CONTROL NO. 21-0041	REV. B	1/1
----------	---------------------------------	--------	-----

Precision, 8-Channel/Dual 4-Channel, Low-Voltage, CMOS Analog Multiplexers

Package Information (continued)

(The package drawing(s) in this data sheet may not reflect the most current specifications. For the latest package outline information, go to www.maxim-ic.com/packages.)



PDIPN EFS

MAX398/MAX399


PACKAGE FAMILY OUTLINE: PDIP .300"
 $\frac{1}{1}$
21-0043 D

23 5th GARDEN DR. SIMSBURY CT 06085 TEL: (401) 731-7200
TITLE
DOCUMENT CONTROL NUMBER
REV

Precision, 8-Channel/Dual 4-Channel, Low-Voltage, CMOS Analog Multiplexers

Package Information (continued)

(The package drawing(s) in this data sheet may not reflect the most current specifications. For the latest package outline information, go to www.maxim-ic.com/packages.)

MAX398/MAX399

NOTES:

- DIE THICKNESS ALLOWABLE IS 0.305mm MAXIMUM (.012 INCHES MAXIMUM).
- DIMENSIONING & TOLERANCES CONFORM MUST TO ASME Y14.5M. – 1994.
- N IS THE NUMBER OF TERMINALS.
Nd IS THE NUMBER OF TERMINALS IN X-DIRECTION &
Ne IS THE NUMBER OF TERMINALS IN Y-DIRECTION.

4. DIMENSION b APPLIES TO PLATED TERMINAL AND IS MEASURED BETWEEN 0.20 AND 0.25mm FROM TERMINAL TIP.

5. THE PIN #1 IDENTIFIER MUST BE EXISTED ON THE TOP SURFACE OF THE PACKAGE BY USING INDENTATION MARK OR INK/LASER MARKED. DETAILS OF PIN #1 IDENTIFIER IS OPTIONAL, BUT MUST BE LOCATED WITHIN ZONE INDICATED.

6. EXACT SHAPE AND SIZE OF THIS FEATURE IS OPTIONAL.

7. ALL DIMENSIONS ARE IN MILLIMETERS.

8. PACKAGE WARPAGE MAX 0.05mm.

9. APPLIED FOR EXPOSED PAD AND TERMINALS. EXCLUDE EMBEDDING PART OF EXPOSED PAD FROM MEASURING.

10. MEETS JEDEC MO220; EXCEPT DIMENSION "b".

11. THIS PACKAGE OUTLINE APPLIES TO PUNCHED QFN (STEPPED SIDES).

	COMMON DIMENSIONS			No. of Terminals
	MIN.	NOM.	MAX.	
A	0.80	0.90	1.00	
A1	0.00	0.01	0.05	
A2	0.00	0.65	0.80	
A3	0.20 REF.			
D	4.00 BSC			
D1	3.75 BSC			
F	4.00 BSC			
E1	3.75 BSC			
θ	0°	—	12°	
P	0.24	0.42	0.60	

S.V.O.	PITCH VARIATION A			No. of Terminals	S.V.O.	PITCH VARIATION B			No. of Terminals	S.V.O.	PITCH VARIATION C			No. of Terminals	S.V.O.	PITCH VARIATION D			No. of Terminals
	MIN.	NOM.	MAX.			MIN.	NOM.	MAX.			MIN.	NOM.	MAX.			MIN.	NOM.	MAX.	
Ⓢ	0.80 BSC			3	Ⓢ	0.65 BSC			3	Ⓢ	0.50 BSC			3	Ⓢ	0.50 BSC			3
N	12			3	N	16			3	N	20			3	N	24			3
Nd	3			3	Nd	4			3	Nd	5			3	Nd	6			3
Ne	3			3	Ne	4			3	Ne	5			3	Ne	6			3
L	0.50	0.60	0.75	4	L	0.50	0.60	0.75	4	L	0.50	0.60	0.75	4	L	0.30	0.40	0.50	4
b	0.28	0.33	0.40	4	b	0.23	0.28	0.35	4	b	0.18	0.23	0.30	4	b	0.18	0.23	0.30	4

PKG. CODE	EXPOSED PAD VARIATION					
	D2			E2		
	MIN.	NOM.	MAX.	MIN.	NOM.	MAX.
G1244-2	1.95	2.10	2.25	1.95	2.10	2.25
G1644-1	1.95	2.10	2.25	1.95	2.10	2.25
G2044-3	1.95	2.10	2.25	1.95	2.10	2.25
G2044-4	1.55	1.70	1.85	1.55	1.70	1.85
G2444-1	1.95	2.10	2.25	1.95	2.10	2.25

<small>PROPRIETARY INFORMATION</small>		
<small>TITLE PACKAGE OUTLINE</small> <small>12,16,20,24L QFN, 4x4x0.90 MM</small>		
<small>APPROVAL</small>	<small>DOCUMENT CONTROL NO.</small> 21-0106	<small>REV.</small> E $\frac{2}{2}$

Precision, 8-Channel/Dual 4-Channel, Low-Voltage, CMOS Analog Multiplexers

Revision History

REVISION NUMBER	REVISION DATE	DESCRIPTION	PAGES CHANGED
0	9/94	–	—
1	9/94	Initial release of data sheet	–
2	7/95	–	–
3	7/96	–	–
4	5/99	Errors in commercial data	–
5	6/99	Add QSOP Package	–
6	10/01	Add QFN Package	–
7	1/07	Add Exposed Pad info for QFN	–
8	6/07	Exposed pad designation	1, 7, 12

Maxim cannot assume responsibility for use of any circuitry other than circuitry entirely embodied in a Maxim product. No circuit patent licenses are implied. Maxim reserves the right to change the circuitry and specifications without notice at any time.

20 _____ **Maxim Integrated Products, 120 San Gabriel Drive, Sunnyvale, CA 94086 (408) 737-7600**



Стандарт Электрон Связь

Мы молодая и активно развивающаяся компания в области поставок электронных компонентов. Мы поставляем электронные компоненты отечественного и импортного производства напрямую от производителей и с крупнейших складов мира.

Благодаря сотрудничеству с мировыми поставщиками мы осуществляем комплексные и плановые поставки широчайшего спектра электронных компонентов.

Собственная эффективная логистика и склад в обеспечивает надежную поставку продукции в точно указанные сроки по всей России.

Мы осуществляем техническую поддержку нашим клиентам и предпродажную проверку качества продукции. На все поставляемые продукты мы предоставляем гарантию .

Осуществляем поставки продукции под контролем ВП МО РФ на предприятия военно-промышленного комплекса России , а также работаем в рамках 275 ФЗ с открытием отдельных счетов в уполномоченном банке. Система менеджмента качества компании соответствует требованиям ГОСТ ISO 9001.

Минимальные сроки поставки, гибкие цены, неограниченный ассортимент и индивидуальный подход к клиентам являются основой для выстраивания долгосрочного и эффективного сотрудничества с предприятиями радиоэлектронной промышленности, предприятиями ВПК и научно-исследовательскими институтами России.

С нами вы становитесь еще успешнее!

Наши контакты:

Телефон: +7 812 627 14 35

Электронная почта: sales@st-electron.ru

Адрес: 198099, Санкт-Петербург,
Промышленная ул, дом № 19, литера Н,
помещение 100-Н Офис 331