

## ICL3224E, ICL3226E, ICL3244E

±15kV ESD Protected, +3V to +5.5V, 1µA, 250kbps, RS-232 Transceivers with Enhanced Automatic Powerdown

The [ICL3224E](#), [ICL3226E](#), and [ICL3244E](#) devices are 3.0V to 5.5V powered RS-232 transmitters/receivers that meet EIA/TIA-232 and V.28/V.24 specifications, even at  $V_{CC} = 3.0V$ . They provide ±15kV ESD protection (IEC61000-4-2 Air Gap and Human Body Model) on transmitter outputs and receiver inputs (RS-232 pins). Targeted applications are PDAs, Palmtops, and notebook and laptop computers where the low operational power and even lower standby power consumption are critical. Efficient on-chip charge pumps coupled with manual and enhanced automatic powerdown functions, reduce the standby supply current to a 1µA trickle. Small footprint packaging and the use of small, low value capacitors ensure board space savings. Data rates greater than 250kbps are ensured at worst case load conditions. This family is fully compatible with 3.3V only systems, mixed 3.3V and 5.0V systems, and 5.0V only systems.

The ICL3244E is a 3-driver, 5-receiver device that provides a complete serial port suitable for laptop or notebook computers. It also includes a noninverting always-active receiver for “wake-up” capability.

The ICL3224E, ICL3226E, and ICL3244E feature an enhanced automatic powerdown function that powers down the on-chip power supply and driver circuits. Powerdown occurs when all receiver and transmitter inputs detect no signal transitions for a period of 30s. These devices power back up automatically whenever they sense a transition on any transmitter or receiver input.

[Table 1](#) summarizes the features of the device represented by this datasheet and [AN9863](#) summarizes the features of each device comprising the ICL32xxE 3V family.

### Related Literature

For a full list of related documents, visit our website:

- [ICL3224E](#), [ICL3226E](#), and [ICL3244E](#) device pages

### Features

- Pb-Free Plus Anneal Available (RoHS Compliant)
- ESD protection for RS-232 I/O pins to ±15kV (IEC61000)
- Manual and enhanced automatic powerdown
- Drop in replacements for MAX3224E, MAX3226E, MAX3244E
- Meets EIA/TIA-232 and V.28/V.24 specifications at 3V
- RS-232 compatible with  $V_{CC} = 2.7V$
- Latch-up free
- On-chip voltage converters require only four external 0.1µF capacitors
- Ensured mouse driveability (ICL3244E)
- “Ready to Transmit” indicator output (ICL3224E/ICL3226E)
- Receiver hysteresis for improved noise immunity
- Ensured minimum data rate 250kbps
- Ensured minimum slew rate 6V/µs
- Wide power supply range single +3V to +5.5V
- Low supply current in powerdown state 1µA

### Applications

- Any system requiring RS-232 communication ports
  - Battery powered, hand-held, and portable equipment
  - Laptop computers, notebooks, palmtops
  - Modems, printers, and other peripherals
  - Digital cameras
  - Cellular/mobile phones

## Contents

|  |           |
|--|-----------|
| <b>1. Overview</b>                             | <b>3</b>  |
| 1.1 Typical Operating Circuits                 | 3         |
| 1.2 Ordering Information                       | 5         |
| 1.3 Pin Configurations                         | 6         |
| 1.4 Pin Descriptions                           | 6         |
| <b>2. Specifications</b>                       | <b>8</b>  |
| 2.1 Absolute Maximum Ratings                   | 8         |
| 2.2 Thermal Information                        | 8         |
| 2.3 Recommended Operating Conditions           | 8         |
| 2.4 Electrical Specifications                  | 9         |
| <b>3. Typical Performance Curves</b>           | <b>11</b> |
| <b>4. Application Information</b>              | <b>12</b> |
| 4.1 Charge-Pump                                | 12        |
| 4.1.1 Charge Pump Abs Max Ratings              | 12        |
| 4.2 Transmitters                               | 13        |
| 4.3 Receivers                                  | 13        |
| 4.4 Powerdown Functionality                    | 15        |
| 4.4.1 Software Controlled (Manual) Powerdown   | 16        |
| 4.4.2 <u>INVALID</u> Output                    | 16        |
| 4.4.3 Enhanced Automatic Powerdown             | 17        |
| 4.4.4 Emulating Standard Automatic Powerdown   | 18        |
| 4.4.5 Hybrid Automatic Powerdown Options       | 18        |
| 4.5 READY Output (ICL3224E and ICL3226E only)  | 19        |
| 4.6 Capacitor Selection                        | 19        |
| 4.7 Power Supply Decoupling                    | 19        |
| 4.8 Operation Down to 2.7V                     | 19        |
| 4.9 Transmitter Outputs when Exiting Powerdown | 19        |
| 4.10 Mouse Driveability                        | 20        |
| 4.11 High Data Rates                           | 20        |
| 4.12 Interconnection with 3V and 5V Logic      | 21        |
| <b>5. ±15kV ESD Protection</b>                 | <b>22</b> |
| 5.1 Human Body Model (HBM) Testing             | 22        |
| 5.2 IEC61000-4-2 Testing                       | 22        |
| 5.3 Air-gap discharge test method              | 22        |
| 5.4 Contact Discharge Test Method              | 22        |
| <b>6. Die Characteristics</b>                  | <b>23</b> |
| <b>7. Revision History</b>                     | <b>24</b> |
| <b>8. Package Outline Drawings</b>             | <b>25</b> |

# 1. Overview

## 1.1 Typical Operating Circuits

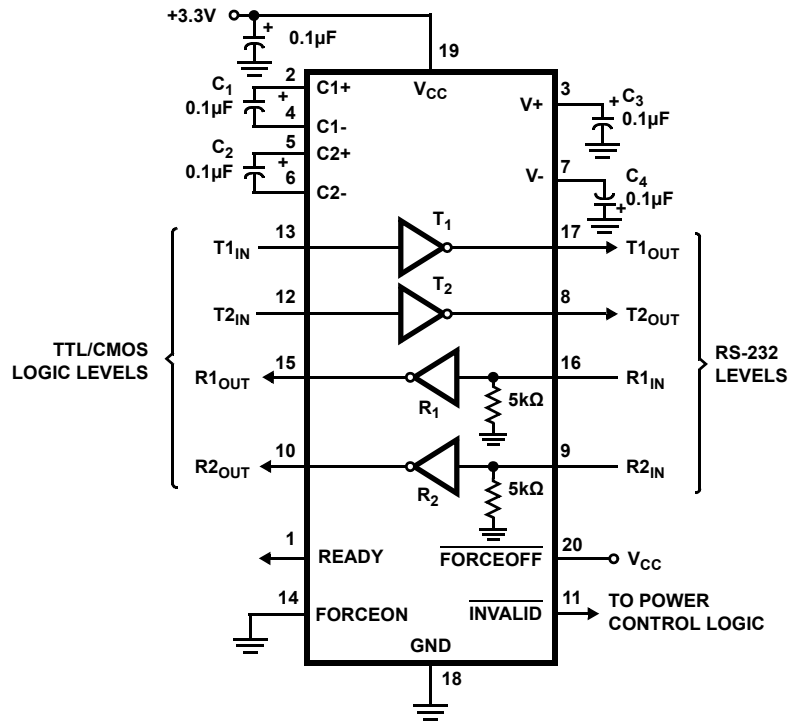


Figure 1. ICL3224E

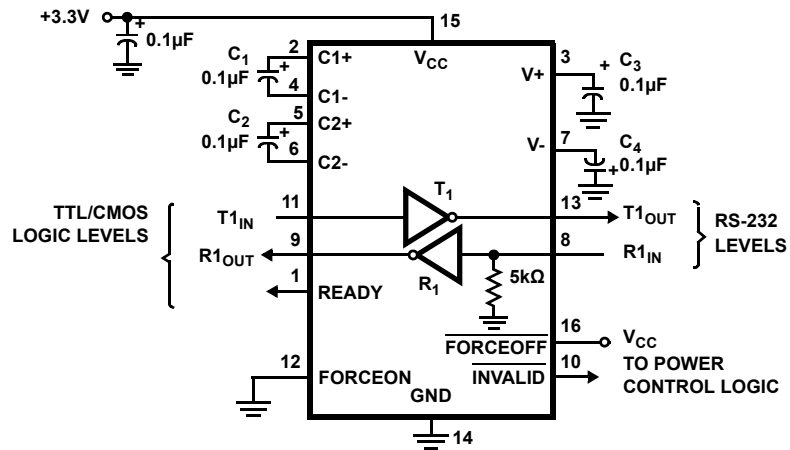


Figure 2. ICL3226E



Figure 3. ICL3244E

## 1.2 Ordering Information

| Part Number<br>(Notes 2, 3)   | Part Marking | Temp Range (°C) | Tape and Reel<br>(Units) (Note 1) | Package<br>(RoHS Compliant) | Pkg. Dwg. # |
|---|--------------|-----------------|-----------------------------------|-----------------------------|-------------|
| ICL3224EIAZ   | 3224EIAZ     | -40 to 85       |                                   | 20 Ld SSOP                  | M20.209     |
| ICL3224EIAZ-T   | 3224EIAZ     | -40 to 85       | 1k                                | 20 Ld SSOP                  | M20.209     |
| ICL3224ECAZ (No longer available, recommended replacement: ICL3224EIAZ)     | 3224ECAZ     | 0 to 70         |                                   | 20 Ld SSOP                  | M20.209     |
| ICL3224ECAZ-T (No longer available, recommended replacement: ICL3224EIAZ-T) | 3224ECAZ     | 0 to 70         | 1k                                | 20 Ld SSOP                  | M20.209     |
| ICL3226EIAZ   | 3226EIAZ     | -40 to 85       |                                   | 16 Ld SSOP                  | M16.209     |
| ICL3226EIAZ-T   | 3226EIAZ     | -40 to 85       | 1k                                | 16 Ld SSOP                  | M16.209     |
| ICL3226ECAZ (No longer available, recommended replacement: ICL3226EIAZ)     | 3226ECAZ     | 0 to 70         |                                   | 16 Ld SSOP                  | M16.209     |
| ICL3226ECAZ-T (No longer available, recommended replacement: ICL3226EIAZ-T) | 3226ECAZ     | 0 to 70         | 1k                                | 16 Ld SSOP                  | M16.209     |
| ICL3244EIAZ   | ICL3244EIAZ  | -40 to 85       |                                   | 28 Ld SSOP                  | M28.209     |
| ICL3244EIAZ-T   | ICL3244EIAZ  | -40 to 85       | 1k                                | 28 Ld SSOP                  | M28.209     |
| ICL3244ECAZ (No longer available, recommended replacement: ICL3244EIAZ)     | ICL3244ECAZ  | 0 to 70         |                                   | 28 Ld SSOP                  | M28.209     |
| ICL3244ECAZ-T (No longer available, recommended replacement: ICL3244EIAZ-T) | ICL3244ECAZ  | 0 to 70         | 1k                                | 28 Ld SSOP                  | M28.209     |

## Notes:

- See [TB347](#) for details about reel specifications.
- These Pb-free plastic packaged products employ special Pb-free material sets, molding compounds/die attach materials, and 100% matte tin plate plus anneal (e3 termination finish, which is RoHS compliant and compatible with both SnPb and Pb-free soldering operations). Pb-free products are MSL classified at Pb-free peak reflow temperatures that meet or exceed the Pb-free requirements of IPC/JEDEC J-STD-020.
- For Moisture Sensitivity Level (MSL), see the [ICL3224E](#), [ICL3226E](#), and [ICL3244E](#) device pages. For more information about MSL, see [TB363](#).

**Table 1. Summary of Features**

| Part Number | Number of Tx. | Number of Rx. | Number of Monitor Rx. (R <sub>OUTB</sub> ) | Data Rate (kbps) | Rx. Enable Function? | Ready Output? | Manual Powerdown? | Enhanced Automatic Powerdown Function? |
|-------------|---------------|---------------|--|------------------|----------------------|---------------|-------------------|--|
| ICL3224E    | 2             | 2             | 0  | 250              | No                   | Yes           | Yes               | Yes                                    |
| ICL3226E    | 1             | 1             | 0  | 250              | No                   | Yes           | Yes               | Yes                                    |
| ICL3244E    | 3             | 5             | 1  | 250              | No                   | No            | Yes               | Yes                                    |

### 1.3 Pin Configurations



### 1.4 Pin Descriptions

| Pin             | Function   |
|-----------------|--|
| V <sub>CC</sub> | System power supply input (3.0V to 5.5V).                        |
| V+              | Internally generated positive transmitter supply (+5.5V).        |
| V-              | Internally generated negative transmitter supply (-5.5V).        |
| GND             | Ground connection.   |
| C1+             | External capacitor (voltage doubler) is connected to this lead.  |
| C1-             | External capacitor (voltage doubler) is connected to this lead.  |
| C2+             | External capacitor (voltage inverter) is connected to this lead. |
| C2-             | External capacitor (voltage inverter) is connected to this lead. |
| T <sub>IN</sub> | TTL/CMOS compatible transmitter Inputs.                          |

| Pin                          | Function   |
|------------------------------|--|
| T <sub>OUT</sub>             | ±15kV ESD Protected, RS-232 level (nominally ±5.5V) transmitter outputs.   |
| R <sub>IN</sub>              | ±15kV ESD Protected, RS-232 compatible receiver inputs.  |
| R <sub>OUT</sub>             | TTL/CMOS level receiver outputs.   |
| R <sub>OUTB</sub>            | TTL/CMOS level, noninverting, always enabled receiver outputs.   |
| $\overline{\text{INVALID}}$  | Active low output that indicates if no valid RS-232 levels are present on any receiver input.  |
| READY                        | Active high output that indicates when the ICL32XXE is ready to transmit ( $V_{-} \leq -4V$ )  |
| $\overline{\text{FORCEOFF}}$ | Active low to shut down transmitters and on-chip power supply, which overrides any automatic circuitry and FORCEON (See <a href="#">Table 2</a> ). |
| FORCEON                      | Active high input to override automatic powerdown circuitry and keeps transmitters active. ( $\overline{\text{FORCEOFF}}$ must be high).           |

## 2. Specifications

### 2.1 Absolute Maximum Ratings

| Parameter                           | Minimum   | Maximum               | Unit |
|-------------------------------------|---|-----------------------|------|
| V <sub>CC</sub> to GND              | -0.3  | 6                     | V    |
| V+ to GND                           | -0.3  | 7                     | V    |
| V- to GND                           | +0.3  | -7                    | V    |
| V+ to V-                            |   | 14                    | V    |
| <b>Input Voltages</b>               |   |                       |      |
| T <sub>IN</sub> , FORCEOFF, FORCEON | -0.3  | 6                     | V    |
| R <sub>IN</sub>                     |   | ±25                   | V    |
| <b>Output Voltages</b>              |   |                       |      |
| T <sub>OUT</sub>                    |   | ±13.2                 | V    |
| R <sub>OUT</sub> , INVALID, READY   | -0.3  | V <sub>CC</sub> + 0.3 | V    |
| <b>Short-Circuit Duration</b>       |   |                       |      |
| T <sub>OUT</sub>                    |   | Continuous            |      |
| ESD Rating                          | (See <a href="#">"ESD Performance" on page 10</a> ) |                       |      |

CAUTION: Do not operate at or near the maximum ratings listed for extended periods of time. Exposure to such conditions can adversely impact product reliability and result in failures not covered by warranty.

### 2.2 Thermal Information

| Thermal Resistance (Typical, <a href="#">Note 4</a> ) | $\theta_{JA}$ (°C/W) |
|---|----------------------|
| 16 Ld SSOP Package                                    | 140                  |
| 20 Ld SSOP Package                                    | 125                  |
| 28 Ld SSOP Package                                    | 100                  |

Notes:

- $\theta_{JA}$  is measured with the component mounted on a low-effective thermal conductivity test board in free air. See [TB379](#) for details.

| Parameter                                      | Minimum                   | Maximum | Unit |
|--|---------------------------|---------|------|
| Maximum Junction Temperature (Plastic Package) |                           | +150    | °C   |
| Maximum Storage Temperature Range              | -65                       | +150    | °C   |
| Pb-Free Reflow Profile                         | see <a href="#">TB493</a> |         |      |

### 2.3 Recommended Operating Conditions

| Parameter                | Minimum | Maximum | Unit |
|--------------------------|---------|---------|------|
| <b>Temperature Range</b> |         |         |      |
| ICL32xxEC                | 0       | +70     | °C   |
| ICL32xxEI                | -40     | +85     | °C   |



## 2.4 Electrical Specifications

Test conditions:  $V_{CC} = 3V$  to  $5.5V$ ,  $C_1 - C_4 = 0.1\mu F$ ; unless otherwise specified. Typical values are at  $T_A = +25^\circ C$ .

| Parameter  | Test Conditions   | Temp (°C)       | Min            | Typ            | Max       | Unit       |   |
|--|---|-----------------|----------------|----------------|-----------|------------|---|
| <b>DC Characteristics</b>  |   |                 |                |                |           |            |   |
| Supply Current, Automatic Powerdown  | All $R_{IN}$ Open, $FORCEON = GND$ , $FORCEOFF = V_{CC}$  | +25             | -              | 1.0            | 10        | $\mu A$    |   |
| Supply Current, Powerdown  | $FORCEOFF = GND$  | +25             | -              | 1.0            | 10        | $\mu A$    |   |
| Supply Current, Automatic Powerdown Disabled   | All outputs unloaded, $FORCEON = FORCEOFF = V_{CC}$   | +25             | -              | 0.3            | 1.0       | mA         |   |
| <b>Logic and Transmitter Inputs and Receiver Outputs</b>   |   |                 |                |                |           |            |   |
| Input Logic Threshold Low  | $T_{IN}$ , $FORCEON$ , $FORCEOFF$   | Full            | -              | -              | 0.8       | V          |   |
| Input Logic Threshold High   | $T_{IN}$ , $FORCEON$ , $FORCEOFF$   | $V_{CC} = 3.3V$ | Full           | 2.0            | -         | -          | V |
|  |   | $V_{CC} = 5.0V$ | Full           | 2.4            | -         | -          | V |
| Transmitter Input Hysteresis   |   | +25             | -              | 0.5            | -         | V          |   |
| Input Leakage Current  | $T_{IN}$ , $FORCEON$ , $FORCEOFF$   | Full            | -              | $\pm 0.01$     | $\pm 1.0$ | $\mu A$    |   |
| Output Leakage Current   | $FORCEOFF = GND$ , ICL3244E Only  | Full            | -              | $\pm 0.05$     | $\pm 10$  | $\mu A$    |   |
| Output Voltage Low   | $I_{OUT} = 1.6mA$   | Full            | -              | -              | 0.4       | V          |   |
| Output Voltage High  | $I_{OUT} = -1.0mA$  | Full            | $V_{CC} - 0.6$ | $V_{CC} - 0.1$ | -         | V          |   |
| <b>Receiver Inputs</b>   |   |                 |                |                |           |            |   |
| Input Voltage Range  |   | Full            | -25            | -              | 25        | V          |   |
| Input Threshold Low  | $V_{CC} = 3.3V$   | +25             | 0.6            | 1.2            | -         | V          |   |
|  | $V_{CC} = 5.0V$   | +25             | 0.8            | 1.5            | -         | V          |   |
| Input Threshold High   | $V_{CC} = 3.3V$   | +25             | -              | 1.5            | 2.4       | V          |   |
|  | $V_{CC} = 5.0V$   | +25             | -              | 1.8            | 2.4       | V          |   |
| Input Hysteresis   |   | +25             | -              | 0.5            | -         | V          |   |
| Input Resistance   |   | +25             | 3              | 5              | 7         | k $\Omega$ |   |
| <b>Transmitter Outputs</b>   |   |                 |                |                |           |            |   |
| Output Voltage Swing   | All transmitter outputs loaded with $3k\Omega$ to Ground  | Full            | $\pm 5.0$      | $\pm 5.4$      | -         | V          |   |
| Output Resistance  | $V_{CC} = V+ = V- = 0V$ , transmitter output = $\pm 2V$   | Full            | 300            | 10M            | -         | W          |   |
| Output Short-Circuit Current   |   | Full            | -              | $\pm 35$       | $\pm 60$  | mA         |   |
| Output Leakage Current   | $V_{OUT} = \pm 12V$ , $V_{CC} = 0V$ or $3V$ to $5.5V$<br>Automatic Powerdown or $FORCEOFF = GND$  | Full            | -              | -              | $\pm 25$  | $\mu A$    |   |
| <b>Mouse Driveability (ICL3244E only)</b>  |   |                 |                |                |           |            |   |
| Transmitter Output Voltage (See <a href="#">Figure 20 on page 20</a> )                           | $T1_{IN} = T2_{IN} = GND$ , $T3_{IN} = V_{CC}$ , $T3_{OUT}$ loaded with $3k\Omega$ to GND, $T1_{OUT}$ and $T2_{OUT}$ loaded with $2.5mA$ each | Full            | $\pm 5$        | -              | -         | V          |   |
| <b>Enhanced Automatic Powerdown (<math>FORCEON = GND</math>, <math>FORCEOFF = V_{CC}</math>)</b> |   |                 |                |                |           |            |   |
| Receiver Input Thresholds to INVALID High  | See <a href="#">Figure 15 on page 17</a>  | Full            | -2.7           | -              | 2.7       | V          |   |
| Receiver Input Thresholds to INVALID Low   | See <a href="#">Figure 15 on page 17</a>  | Full            | -0.3           | -              | 0.3       | V          |   |
| INVALID, READY Output Voltage Low  | $I_{OUT} = 1.6mA$   | Full            | -              | -              | 0.4       | V          |   |
| INVALID, READY Output Voltage High   | $I_{OUT} = -1.0mA$  | Full            | $V_{CC} - 0.6$ | -              | -         | V          |   |

Test conditions:  $V_{CC} = 3V$  to  $5.5V$ ,  $C_1 - C_4 = 0.1\mu F$ ; unless otherwise specified. Typical values are at  $T_A = +25^\circ C$ . (Continued)

| Parameter  | Test Conditions  | Temp (°C)                 | Min | Typ      | Max  | Unit    |           |
|--|--|---------------------------|-----|----------|------|---------|-----------|
| Receiver Positive or Negative Threshold to INVALID High Delay ( $t_{INVH}$ )   |  | +25                       | -   | 1        | -    | $\mu s$ |           |
| Receiver Positive or Negative Threshold to INVALID Low Delay ( $t_{INVL}$ )    |  | +25                       | -   | 30       | -    | $\mu s$ |           |
| Receiver or Transmitter Edge to Transmitters Enabled Delay ( $t_{WU}$ )        | (Note 5)   | +25                       | -   | 100      | -    | $\mu s$ |           |
| Receiver or Transmitter Edge to Transmitters Disabled Delay ( $t_{AUTOPWDN}$ ) | (Note 5)   | Full                      | 15  | 30       | 60   | sec     |           |
| <b>Timing Characteristics</b>  |  |                           |     |          |      |         |           |
| Maximum Data Rate  | $R_L = 3k\Omega$ , $C_L = 1000pF$ , one transmitter switching  | Full                      | 250 | 500      | -    | kbps    |           |
| Receiver Propagation Delay   | Receiver input to receiver output, $C_L = 150pF$   | $t_{PHL}$                 | +25 | -        | 0.15 | $\mu s$ |           |
|  |  | $t_{PLH}$                 | +25 | -        | 0.15 | $\mu s$ |           |
| Receiver Output Enable Time  | Normal operation (ICL3244E only)   | +25                       | -   | 200      | -    | ns      |           |
| Receiver Output Disable Time   | Normal operation (ICL3244E only)   | +25                       | -   | 200      | -    | ns      |           |
| Transmitter Skew   | $t_{PHL} - t_{PLH}$  | +25                       | -   | 100      | -    | ns      |           |
| Receiver Skew  | $t_{PHL} - t_{PLH}$  | +25                       | -   | 50       | -    | ns      |           |
| Transition Region Slew Rate  | $V_{CC} = 3.3V$ ,<br>$R_L = 3k\Omega$ to $7k\Omega$ ,<br>measured from $3V$ to $-3V$<br>or $-3V$ to $3V$ | $C_L = 150pF$ to $1000pF$ | +25 | 6        | -    | 30      | $V/\mu s$ |
|  |  | $C_L = 150pF$ to $2500pF$ | +25 | 4        | 8    | 30      | $V/\mu s$ |
| <b>ESD Performance</b>   |  |                           |     |          |      |         |           |
| RS-232 Pins ( $T_{OUT}$ , $R_{IN}$ )   | Human Body Model   | +25                       | -   | $\pm 15$ | -    | kV      |           |
|  | IEC61000-4-2 Contact Discharge   | +25                       | -   | $\pm 8$  | -    | kV      |           |
|  | IEC61000-4-2 Air Gap Discharge   | +25                       | -   | $\pm 15$ | -    | kV      |           |
| All Other Pins   | Human body model (HBM)   | +25                       | -   | $\pm 3$  | -    | kV      |           |

Notes:

- 5. An "edge" is defined as a transition through the transmitter or receiver input thresholds.

### 3. Typical Performance Curves

Typical Performance Curves  $V_{CC} = 3.3V$ ,  $T_A = 25^\circ C$

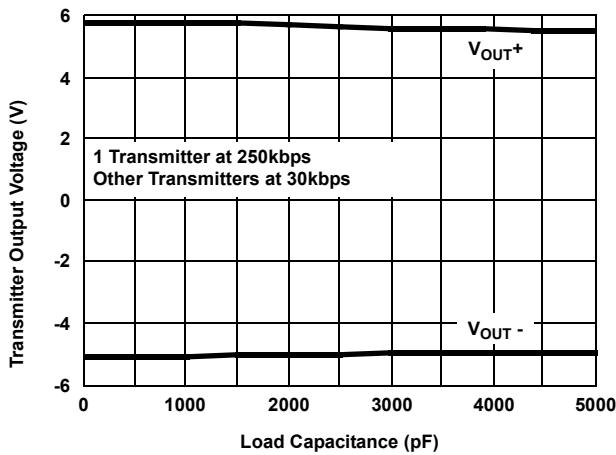


Figure 4. Transmitter Output Voltage vs Load Capacitance

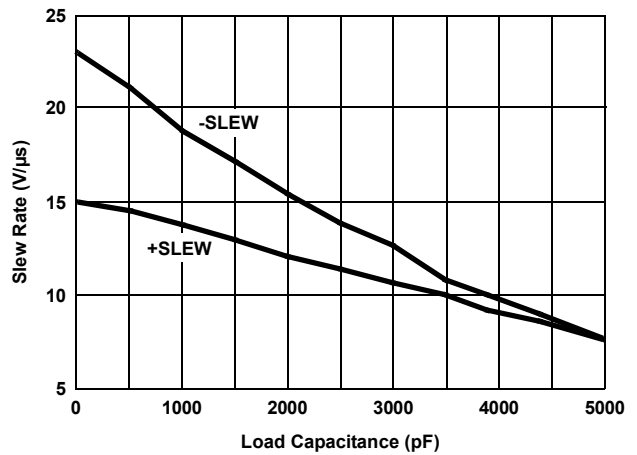


Figure 5. Slew Rate vs Load Capacitance

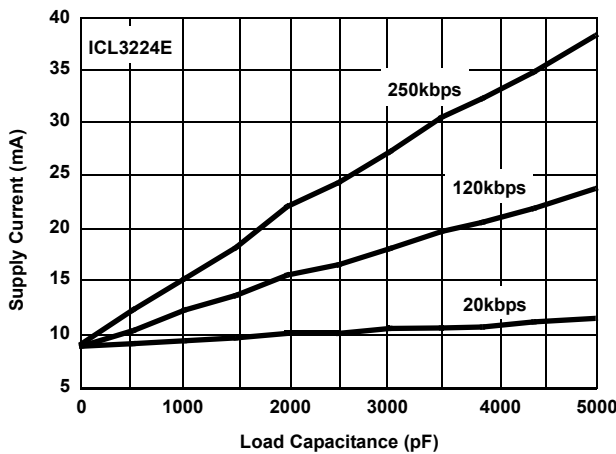


Figure 6. Supply Current vs Load Capacitance when Transmitting Data

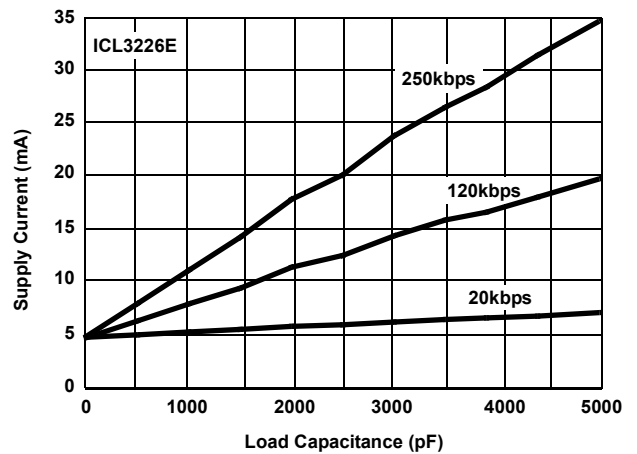


Figure 7. Supply Current vs Load Capacitance When Transmitting Data

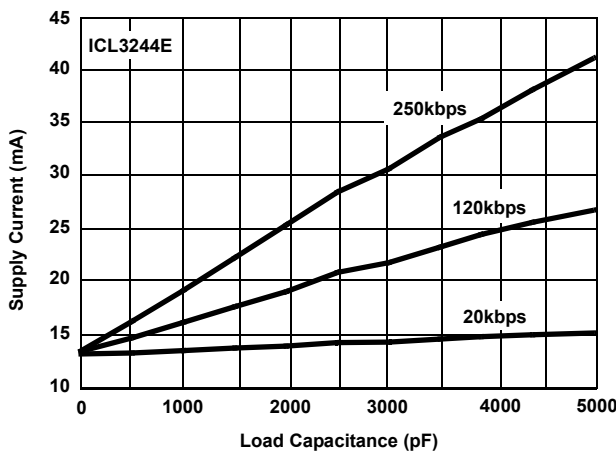


Figure 8. Supply Current vs Load Capacitance When Transmitting Data

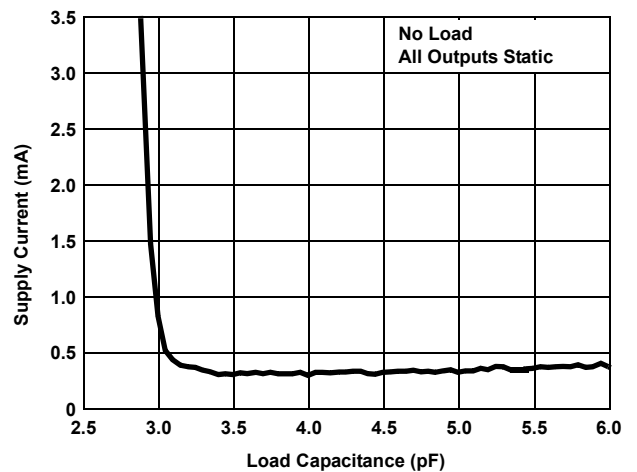


Figure 9. Supply Current vs Supply Voltage

## 4. Application Information

The ICL3224E, ICL3226E, and ICL3244E operate from a single +3V to +5.5V supply, ensure a 250kbps minimum data rate, require only four small external 0.1 $\mu$ F capacitors, feature low power consumption, and meet all EIA RS-232C and V.28 specifications.

### 4.1 Charge-Pump

The ICL32xxE use regulated on-chip dual charge pumps as voltage doublers, and voltage inverters to generate  $\pm 5.5$ V transmitter supplies from a  $V_{CC}$  supply as low as 3.0V, which allows these devices to maintain RS-232 compliant output levels over the  $\pm 10\%$  tolerance range of 3.3V powered systems. The efficient on-chip power supplies require only four small, external 0.1 $\mu$ F capacitors for the voltage doubler and inverter functions at  $V_{CC} = 3.3$ V. See the [Capacitor Selection](#) section, and [Table 6 on page 19](#) for capacitor recommendations for other operating conditions. The charge pumps operate discontinuously turning off with the V+ and V- supplies are pumped up to the nominal values), resulting in significant power savings.

#### 4.1.1 Charge Pump Abs Max Ratings

These 3V to 5V RS-232 transceivers have been fully characterized for 3.0V to 3.6V operation, and at critical points for 4.5V to 5.5V operation. Furthermore, load conditions were favorable using static logic states only.

The specified maximum values for V+ and V- are +7V and -7V respectively. These limits apply for  $V_{CC}$  values set to 3.0V and 3.6V (see [Table 2](#)). For  $V_{CC}$  values set to 4.5V and 5.5V, the maximum values for V+ and V- can approach +9V and -7V respectively (see [Table 3](#)). The breakdown characteristics for V+ and V- were measured with  $\pm 13$ V.

**Table 2. V+ and V- Values for  $V_{CC} = 3.0$ V to 3.6V**

| C <sub>1</sub> ( $\mu$ F) | C <sub>2</sub> , C <sub>3</sub> , C <sub>4</sub> ( $\mu$ F) | Load                  | T1IN (Logic State) | V+ (V)                 |                        | V- (V)                 |                        |
|---------------------------|---|-----------------------|--------------------|------------------------|------------------------|------------------------|------------------------|
|                           |   |                       |                    | V <sub>CC</sub> = 3.0V | V <sub>CC</sub> = 3.6V | V <sub>CC</sub> = 3.0V | V <sub>CC</sub> = 3.6V |
| 0.1                       | 0.1   | Open                  | H                  | 5.8                    | 6.56                   | -5.6                   | -5.88                  |
|                           |   |                       | L                  | 5.8                    | 6.56                   | -5.6                   | -5.88                  |
|                           |   |                       | 2.4kbps            | 5.8                    | 6.56                   | -5.6                   | -5.88                  |
|                           |   | 3k $\Omega$ // 1000pF | H                  | 5.88                   | 6.6                    | -5.56                  | -5.92                  |
|                           |   |                       | L                  | 5.76                   | 6.36                   | -5.56                  | -5.76                  |
|                           |   |                       | 2.4kbps            | 6                      | 6.64                   | -5.64                  | -5.96                  |
| 0.047                     | 0.33  | Open                  | H                  | 5.68                   | 6                      | -5.6                   | -5.6                   |
|                           |   |                       | L                  | 5.68                   | 6                      | -5.6                   | -5.6                   |
|                           |   |                       | 2.4kbps            | 5.68                   | 6                      | -5.6                   | -5.6                   |
|                           |   | 3k $\Omega$ // 1000pF | H                  | 5.76                   | 6.08                   | -5.64                  | -5.64                  |
|                           |   |                       | L                  | 5.68                   | 6.04                   | -5.6                   | -5.6                   |
|                           |   |                       | 2.4kbps            | 5.84                   | 6.16                   | -5.64                  | -5.72                  |
| 1                         | 1   | Open                  | H                  | 5.88                   | 6.24                   | -5.6                   | -5.6                   |
|                           |   |                       | L                  | 5.88                   | 6.28                   | -5.6                   | -5.64                  |
|                           |   |                       | 2.4kbps            | 5.8                    | 6.2                    | -5.6                   | -5.6                   |
|                           |   | 3k $\Omega$ // 1000pF | H                  | 5.88                   | 6.44                   | -5.64                  | -5.72                  |
|                           |   |                       | L                  | 5.88                   | 6.04                   | -5.64                  | -5.64                  |
|                           |   |                       | 2.4kbps            | 5.92                   | 6.4                    | -5.64                  | -5.64                  |

**Table 3. V+ and V- Values for V<sub>CC</sub> = 4.5V to 5.5V**

| C <sub>1</sub> (μF) | C <sub>2</sub> , C <sub>3</sub> , C <sub>4</sub> (μF) | Load          | T11N (Logic State) | V+ (V)                 |                        | V- (V)                 |                        |
|---------------------|---|---------------|--------------------|------------------------|------------------------|------------------------|------------------------|
|                     |   |               |                    | V <sub>CC</sub> = 4.5V | V <sub>CC</sub> = 5.5V | V <sub>CC</sub> = 4.5V | V <sub>CC</sub> = 5.5V |
| 0.1                 | 0.1   | Open          | H                  | 7.44                   | 8.48                   | -6.16                  | -6.4                   |
|                     |   |               | L                  | 7.44                   | 8.48                   | -6.16                  | -6.44                  |
|                     |   |               | 2.4kbps            | 7.44                   | 8.48                   | -6.17                  | -6.44                  |
|                     |   | 3kΩ // 1000pF | H                  | 7.76                   | 8.88                   | -6.36                  | -6.72                  |
|                     |   |               | L                  | 7.08                   | 8                      | -5.76                  | -5.76                  |
|                     |   |               | 2.4kbps            | 7.76                   | 8.84                   | -6.4                   | -6.64                  |
| 0.047               | 0.33  | Open          | H                  | 6.44                   | 6.88                   | -5.8                   | -5.88                  |
|                     |   |               | L                  | 6.48                   | 6.88                   | -5.84                  | -5.88                  |
|                     |   |               | 2.4kbps            | 6.44                   | 6.88                   | -5.8                   | -5.88                  |
|                     |   | 3kΩ // 1000pF | H                  | 6.64                   | 7.28                   | -5.92                  | -6.04                  |
|                     |   |               | L                  | 6.24                   | 6.6                    | -5.52                  | -5.52                  |
|                     |   |               | 2.4kbps            | 6.72                   | 7.16                   | -5.92                  | -5.96                  |
| 1                   | 1   | Open          | H                  | 6.84                   | 7.6                    | -5.76                  | -5.76                  |
|                     |   |               | L                  | 6.88                   | 7.6                    | -5.76                  | -5.76                  |
|                     |   |               | 2.4kbps            | 6.92                   | 7.56                   | -5.72                  | -5.76                  |
|                     |   | 3kΩ // 1000pF | H                  | 7.28                   | 8.16                   | -5.8                   | -5.92                  |
|                     |   |               | L                  | 6.44                   | 6.84                   | -5.64                  | -6.84                  |
|                     |   |               | 2.4kbps            | 7.08                   | 7.76                   | -5.8                   | -5.8                   |

The resulting new maximum voltages at V+ and V- are listed in [Table 4](#).

**Table 4. New Measured Withstanding Voltages**

|                  |      |
|------------------|------|
| V+, V- to Ground | ±13V |
| V+ to V-         | 20V  |

## 4.2 Transmitters

The transmitters are proprietary, low dropout, inverting drivers that translate TTL/CMOS inputs to EIA/TIA-232 output levels. The transmitters are coupled with the on-chip ±5.5V supplies to deliver true RS-232 levels over a wide range of single supply system voltages.

Transmitter outputs disable and assume a high impedance state when the device enters the powerdown mode (see [Table 5 on page 15](#)). These outputs may be driven to ±12V when disabled.

All devices ensure a 250kbps data rate for full load conditions (3kΩ and 1000pF), V<sub>CC</sub> ≥ 3.0V, with one transmitter operating at full speed. Under more typical conditions of V<sub>CC</sub> ≥ 3.3V, R<sub>L</sub> = 3kΩ, and C<sub>L</sub> = 250pF, one transmitter easily operates at 1Mbps.

Transmitter inputs float if they are not connected and can cause I<sub>CC</sub> to increase. Connect unused inputs to GND for the best performance.

## 4.3 Receivers

All the ICL32xxE devices contain standard inverting receivers, but only the ICL3244E receivers can tri-state using the FORCEOFF control line. The ICL3244E includes a noninverting (monitor) receiver (denoted by the R<sub>OUTB</sub> label) that is always active regardless of the state of any control lines. Both receiver types convert RS-232 signals to CMOS output levels and accept inputs up to ±25V while presenting the required 3kΩ to 7kΩ input impedance

(see [Figure 10](#)) even if the power is off ( $V_{CC} = 0V$ ). The receivers' Schmitt trigger input stage uses hysteresis to increase noise immunity and decrease errors due to slow input signal transitions.

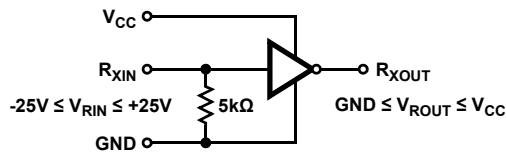


Figure 10. Inverting Receiver Connections

The ICL3244E inverting receivers disable during forced (manual) powerdown, but not during automatic powerdown (see [Table 5 on page 15](#)). Conversely, the monitor receiver remains active even during manual powerdown, which makes it extremely useful for Ring Indicator monitoring. Standard receivers driving powered down peripherals must be disabled to prevent current flow through the peripheral's protection diodes (see [Figures 11](#) and [12](#)). When powered down, they cannot be used for wake-up functions, but the corresponding monitor receiver can be dedicated to this task as shown in [Figure 12](#).

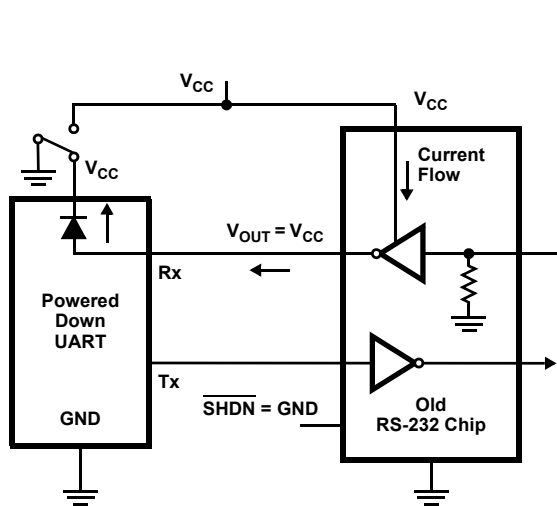


Figure 11. Power Drain Through Powered Down Peripheral

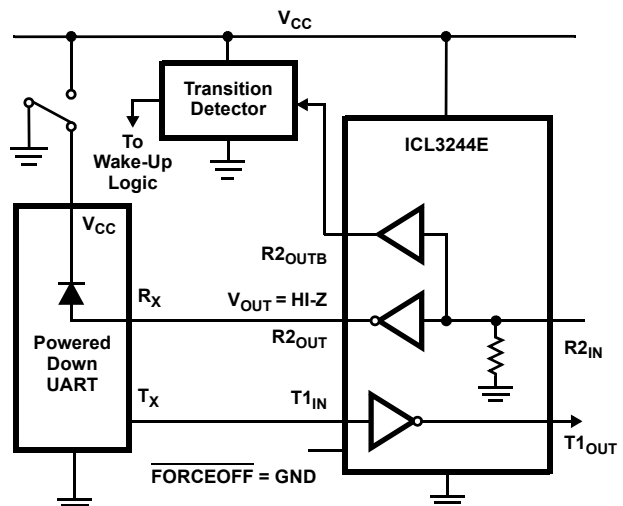


Figure 12. Disabled Receivers Prevent Power Drain

#### 4.4 Powerdown Functionality

This 3V ISL32xxE devices require a nominal supply current of 0.3mA during normal operation (not in powerdown mode). This current is considerably less than the 5mA to 11mA current required of 5V RS-232 devices. The already low current requirement drops significantly when the device enters powerdown mode. In powerdown, supply current drops to 1µA, because the on-chip charge pump turns off (V+ collapses to V<sub>CC</sub>, V- collapses to GND), and the transmitter outputs tri-state. Inverting receiver outputs may or may not disable in powerdown; see [Table 5](#) for details. This micro-power mode makes these devices ideal for battery powered and portable applications.

**Table 5. Powerdown Logic Truth Table**

| RCVR or XMTR EDGE Within 30 Sec?   | <u>FORCEOFF</u> Input  | FORCEON Input          | Transmitter Outputs | Receiver Outputs | R <sub>OUTB</sub> Outputs (Note 6) | RS-232 Level Present at Receiver Input? | <u>INVALID</u> Output | Mode of Operation                                   |
|--|------------------------|------------------------|---------------------|------------------|------------------------------------|---|-----------------------|---|
| <b>ICL3224E, ICL3226E</b>  |                        |                        |                     |                  |                                    |   |                       |   |
| No   | H                      | H                      | Active              | Active           | N.A.                               | No                                      | L                     | Normal Operation (Enhanced Auto Powerdown Disabled) |
| No   | H                      | H                      | Active              | Active           | N.A.                               | Yes                                     | H                     |   |
| Yes  | H                      | L                      | Active              | Active           | N.A.                               | No                                      | L                     | Normal Operation (Enhanced Auto Powerdown Enabled)  |
| Yes  | H                      | L                      | Active              | Active           | N.A.                               | Yes                                     | H                     |   |
| No   | H                      | L                      | High-Z              | Active           | N.A.                               | No                                      | L                     | Powerdown Due to Enhanced Auto Powerdown Logic      |
| No   | H                      | L                      | High-Z              | Active           | N.A.                               | Yes                                     | H                     |   |
| X  | L                      | X                      | High-Z              | Active           | N.A.                               | No                                      | L                     | Manual Powerdown                                    |
| X  | L                      | X                      | High-Z              | Active           | N.A.                               | Yes                                     | H                     |   |
| <b>ICL322XE - <u>INVALID</u> Driving FORCEON and FORCEOFF (Emulates Automatic Powerdown)</b> |                        |                        |                     |                  |                                    |   |                       |   |
| X  | <a href="#">Note 7</a> | <a href="#">Note 7</a> | Active              | Active           | N.A.                               | Yes                                     | H                     | Normal Operation                                    |
| X  | <a href="#">Note 7</a> | <a href="#">Note 7</a> | High-Z              | Active           | N.A.                               | No                                      | L                     | Forced Auto Powerdown                               |
| <b>ICL3244E</b>  |                        |                        |                     |                  |                                    |   |                       |   |
| No   | H                      | H                      | Active              | Active           | Active                             | No                                      | L                     | Normal Operation (Enhanced Auto Powerdown Disabled) |
| No   | H                      | H                      | Active              | Active           | Active                             | Yes                                     | H                     |   |
| Yes  | H                      | L                      | Active              | Active           | Active                             | No                                      | L                     | Normal Operation (Enhanced Auto Powerdown Enabled)  |
| Yes  | H                      | L                      | Active              | Active           | Active                             | Yes                                     | H                     |   |
| No   | H                      | L                      | High-Z              | Active           | Active                             | No                                      | L                     | Powerdown Due to Enhanced Auto Powerdown Logic      |
| No   | H                      | L                      | High-Z              | Active           | Active                             | Yes                                     | H                     |   |
| X  | L                      | X                      | High-Z              | High-Z           | Active                             | No                                      | L                     | Manual Powerdown                                    |
| X  | L                      | X                      | High-Z              | High-Z           | Active                             | Yes                                     | H                     |   |
| <b>ICL3244E - <u>INVALID</u> Driving FORCEON and FORCEOFF (Emulates Automatic Powerdown)</b> |                        |                        |                     |                  |                                    |   |                       |   |
| X  | <a href="#">Note 7</a> | <a href="#">Note 7</a> | Active              | Active           | Active                             | Yes                                     | H                     | Normal Operation                                    |
| X  | <a href="#">Note 7</a> | <a href="#">Note 7</a> | High-Z              | High-Z           | Active                             | No                                      | L                     | Forced Auto Powerdown                               |

Notes:

6. Applies only to the ICL3244E.

7. Input is connected to INVALID Output.

### 4.4.1 Software Controlled (Manual) Powerdown

The ICL32xxE devices allow you to force the IC into the low power, standby state, and use a two pin approach where the FORCEON and FORCEOFF inputs determine the IC's mode. For always enabled operation, FORCEON and FORCEOFF are both strapped high. Under logic or software control, only the FORCEOFF input needs to be driven to switch between active and power-down modes. The FORCEON state is not critical because FORCEOFF overrides FORCEON. However, if strictly manual control over power-down is needed, you must strap FORCEON high to disable the automatic powerdown circuitry. The ICL3244E inverting (standard) receiver outputs also disable when the device is in powerdown, and eliminate the possible current path through a shutdown peripheral's input protection diode (see Figures 11 and 12).

Connecting FORCEOFF and FORCEON together disables the enhanced automatic powerdown feature, which enables them to function as a manual SHUTDOWN input (see Figure 13).

With any of the above control schemes, the time required to exit powerdown and resume transmission is only 100µs.



Figure 13. Connections for Manual Powerdown When No Valid Receiver Signals are Present

When using both manual and enhanced automatic powerdown (FORCEON = 0), the ICL32xxE devices do not power up from manual powerdown until both FORCEOFF and FORCEON are driven high, or until a transition occurs on a receiver or transmitter input. Figure 14 shows a circuit for ensuring that the ICL32xxE powers up as soon as FORCEOFF switches high. The rising edge of the master powerdown signal forces the device to power up, and the ICL32xxE returns to enhanced automatic powerdown mode an RC time constant after this rising edge. The time constant is not critical, because the ICL32xxE remains powered up for 30s after the FORCEON falling edge, even if there are no signal transitions. The delay gives slow-to-wake systems (such as a mouse) plenty of time to start transmitting, and as long as it starts transmitting within 30s both systems remain enabled.



Figure 14. Circuit to Ensure Immediate Power Up When Exiting Forced Powerdown

### 4.4.2 INVALID Output

Table 5 on page 15 on the INVALID output always indicates whether 30µs have elapsed with invalid RS-232 signals (see Figure 15 and 18) persisting on all of the receiver inputs and provides you a way to determine when



the interface block should power down. Invalid receiver levels occur whenever the driving peripheral's outputs are shut off (powered down) or when the RS-232 interface cable is disconnected. If an interface cable is disconnected and all the receiver inputs are floating (but pulled to GND by the internal receiver pull down resistors), the  $\overline{\text{INVALID}}$  logic detects the invalid levels and drives the output low. The power management logic then uses this indicator to power down the interface block. Reconnecting the cable restores valid levels at the receiver inputs,  $\overline{\text{INVALID}}$  switches high, and the power management logic wakes up the interface block.  $\overline{\text{INVALID}}$  can also indicate the DTR or RING INDICATOR signal, as long as the other receiver inputs are floating, or driven to GND (as in the case of a powered down driver).

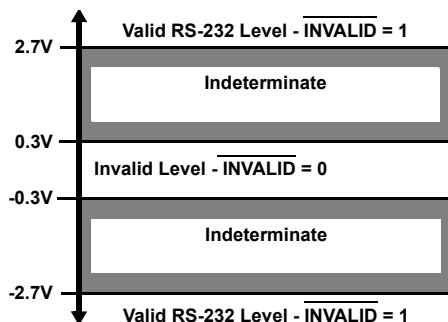


Figure 15. Definition of Valid RS-232 Receiver Levels

### 4.4.3 Enhanced Automatic Powerdown

Even greater power savings are available by using the ISL32xxE's enhanced automatic powerdown function. When the enhanced powerdown logic determines that no transitions have occurred on any of the transmitter or receiver inputs for 30s, the charge pump and transmitters powerdown, and reduces supply current to 1μA. The ICL32xxE devices automatically power back up whenever they detect a transition on one of these inputs. The automatic powerdown feature provides additional system power savings without changes to the existing operating system.

Enhanced automatic powerdown operates when the FORCEON input is low and the  $\overline{\text{FORCEOFF}}$  input is high. Tying FORCEON high disables automatic powerdown, but manual powerdown is always available using the overriding  $\overline{\text{FORCEOFF}}$  input. [Table 5 on page 15](#) summarizes the enhanced automatic powerdown functionality.

[Figure 16](#) shows the enhanced powerdown control logic. **Note:** When the ICL32xxE enters powerdown (manually or automatically), the 30s timer remains timed out (set), keeping the ICL32xxE powered down until FORCEON transitions high, or until a transition occurs on a receiver or transmitter input.

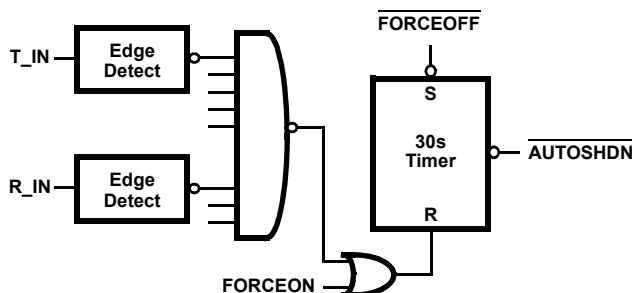


Figure 16. Enhanced Automatic Powerdown Logic

The  $\overline{\text{INVALID}}$  output signal switches low to indicate that invalid levels have persisted on all of the receiver inputs for more than 30μs (see [Figure 17 on page 18](#)), but this has no direct effect on the state of the ICL32xxE (see the next sections for methods of using  $\overline{\text{INVALID}}$  to power down the device).  $\overline{\text{INVALID}}$  switches high 1μs after detecting a valid RS-232 level on a receiver input.  $\overline{\text{INVALID}}$  operates in all modes (forced or automatic powerdown, or forced on), so it is also useful for systems employing manual powerdown circuitry.

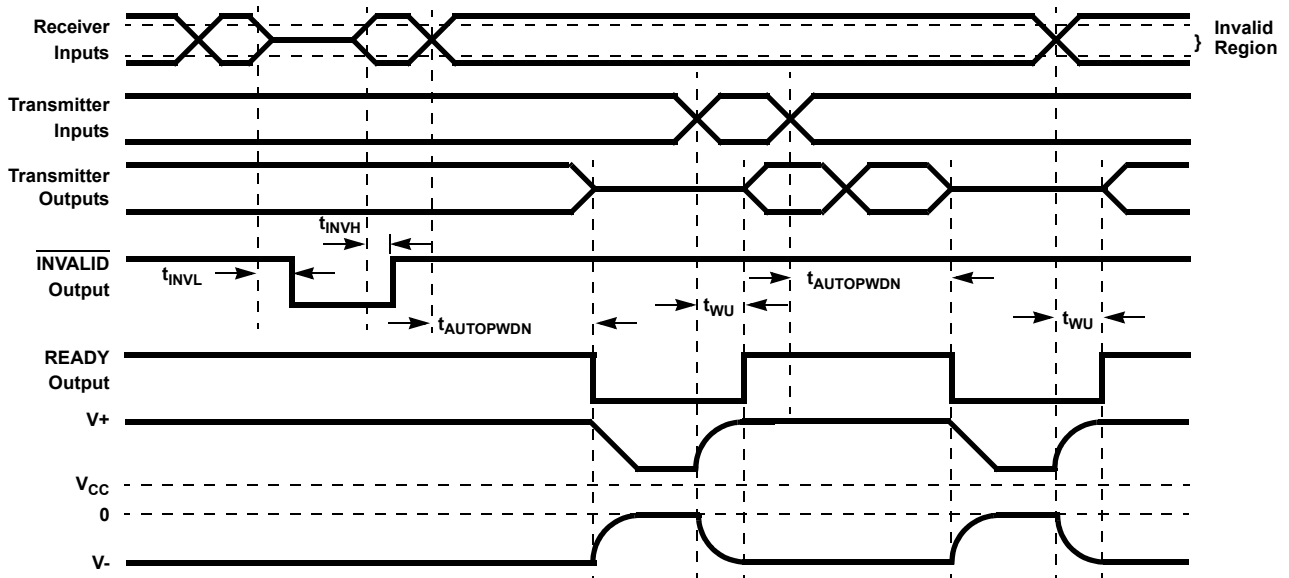


Figure 17. Enhanced Automatic Powerdown,  $\overline{\text{INVALID}}$  and  $\overline{\text{READY}}$  Timing Diagrams

The time to recover from automatic powerdown mode is typically 100 $\mu\text{s}$ .

#### 4.4.4 Emulating Standard Automatic Powerdown

If enhanced automatic powerdown is not desired, you can implement the standard automatic powerdown feature (mimics the function on the ICL3221E/ICL3223E/ICL3243E) by connecting the  $\overline{\text{INVALID}}$  output to the  $\overline{\text{FORCEON}}$  and  $\overline{\text{FORCEOFF}}$  inputs, as shown in Figure 18. After 30 $\mu\text{s}$  of invalid receiver levels,  $\overline{\text{INVALID}}$  switches low and drives the ICL32xxE into a forced powerdown condition.  $\overline{\text{INVALID}}$  switches high as soon as a receiver input senses a valid RS-232 level, forcing the ICL32xxE to power on. See “[ICL322XE -  \$\overline{\text{INVALID}}\$  Driving  \$\overline{\text{FORCEON}}\$  and  \$\overline{\text{FORCEOFF}}\$  \(Emulates Automatic Powerdown\)](#)” on page 15 for an operational summary. This operational mode is perfect for handheld devices that communicate with another computer through a detachable cable. Detaching the cable allows the internal receiver pull-down resistors to pull the inputs to GND (an invalid RS-232 level), causing the 30 $\mu\text{s}$  timer to time out and drive the IC into powerdown. Reconnecting the cable restores valid levels, causing the IC to power back up.

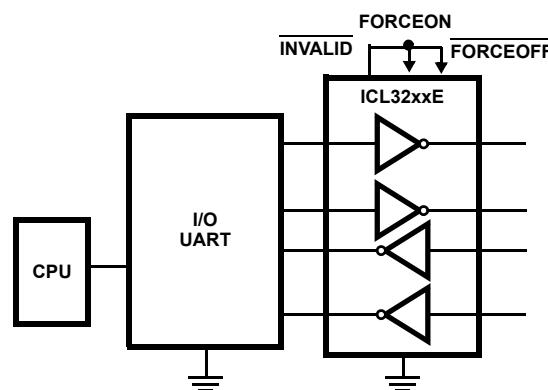


Figure 18. Connections for Automatic Powerdown When No Valid Receiver Signals are Present

#### 4.4.5 Hybrid Automatic Powerdown Options

For devices that communicate only through a detachable cable, you can connect  $\overline{\text{INVALID}}$  to  $\overline{\text{FORCEOFF}}$  (with  $\overline{\text{FORCEON}} = 0$ ). While the cable is attached,  $\overline{\text{INVALID}}$  and  $\overline{\text{FORCEOFF}}$  remain high, so the enhanced automatic powerdown logic powers down the RS-232 device whenever there is 30s of inactivity on the receiver and transmitter inputs. Detaching the cable allows the receiver inputs to drop to an invalid level (GND), so  $\overline{\text{INVALID}}$

switches low and forces the RS-232 device to power down. The ICL32xxE remains powered down until the cable is reconnected ( $\overline{\text{INVALID}} = \overline{\text{FORCEOFF}} = 1$ ), and a transition occurs on a receiver or transmitter input (see [Figure 16 on page 17](#)). For immediate power up when the cable is reattached, connect  $\overline{\text{FORCEON}}$  to  $\overline{\text{FORCEOFF}}$  through a network similar to that shown in [Figure 14 on page 16](#).

#### 4.5 READY Output (ICL3224E and ICL3226E only)

The READY output indicates that the ICL322xE is ready to transmit. READY switches low whenever the device enters powerdown, and switches back high during power-up when  $V_-$  reaches  $-4V$  or lower.

#### 4.6 Capacitor Selection

The charge pumps require  $0.1\mu\text{F}$  capacitors for  $3.3V$  operation. For other supply voltages see to Table 6 for capacitor values. Do not use values smaller than those listed in [Table 6](#). Increasing the capacitor values (by a factor of 2) reduces ripple on the transmitter outputs and slightly reduces power consumption.  $C_2$ ,  $C_3$ , and  $C_4$  can be increased without increasing  $C_1$ 's value, however, do not increase  $C_1$  without also increasing  $C_2$ ,  $C_3$ , and  $C_4$  to maintain the proper ratios ( $C_1$  to the other capacitors).

When using minimum required capacitor values, make sure that capacitor values do not degrade excessively with temperature. If in doubt, use capacitors with a larger nominal value. The capacitor's Equivalent Series Resistance (ESR) usually rises at low temperatures and it influences the amount of ripple on  $V_+$  and  $V_-$ .

**Table 6. Required Capacitor Values**

| $V_{CC}$ (V) | $C_1$ ( $\mu\text{F}$ ) | $C_2, C_3, C_4$ ( $\mu\text{F}$ ) |
|--------------|-------------------------|-----------------------------------|
| 3.0 to 3.6   | 0.1                     | 0.1                               |
| 4.5 to 5.5   | 0.047                   | 0.33                              |
| 3.0 to 5.5   | 0.1                     | 0.47                              |

#### 4.7 Power Supply Decoupling

In most circumstances a  $0.1\mu\text{F}$  bypass capacitor is adequate. In applications that are particularly sensitive to power supply noise, decouple  $V_{CC}$  to ground with a capacitor of the same value as the charge-pump capacitor  $C_1$ . Connect the bypass capacitor as close as possible to the IC.

#### 4.8 Operation Down to 2.7V

ICL32xxE transmitter outputs meet RS-562 levels ( $\pm 3.7V$ ), at full data rate, with  $V_{CC}$  as low as  $2.7V$ . RS-562 levels typically ensure interoperability with RS-232 devices.

#### 4.9 Transmitter Outputs when Exiting Powerdown

[Figure 19 on page 20](#) shows the response of two transmitter outputs when exiting powerdown mode. As they activate, the two transmitter outputs properly go to opposite RS-232 levels, with no glitching, ringing, or undesirable transients. Each transmitter is loaded with  $3k\Omega$  in parallel with  $2500\text{pF}$ . **Note:** The transmitters enable only when the magnitude of the supplies exceed approximately  $3V$ .

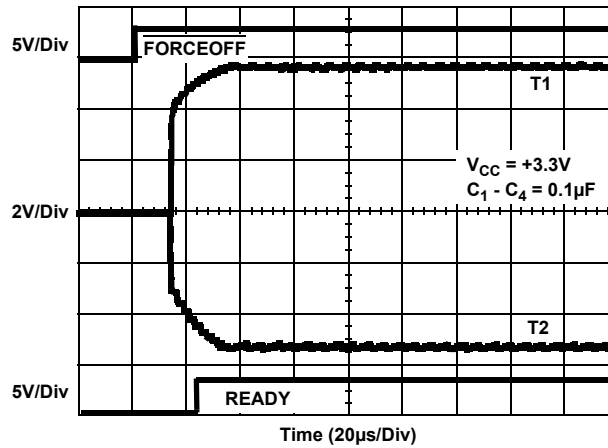


Figure 19. Transmitter Outputs When Exiting Powerdown

### 4.10 Mouse Driveability

The ICL3244E is specifically designed to power a serial mouse while operating from low voltage supplies.

Figure 20 shows the transmitter output voltages under increasing load current. The on-chip switching regulator ensures the transmitters supply at least  $\pm 5V$  during worst case conditions (15mA for paralleled V+ transmitters, 7.3mA for single V- transmitter).

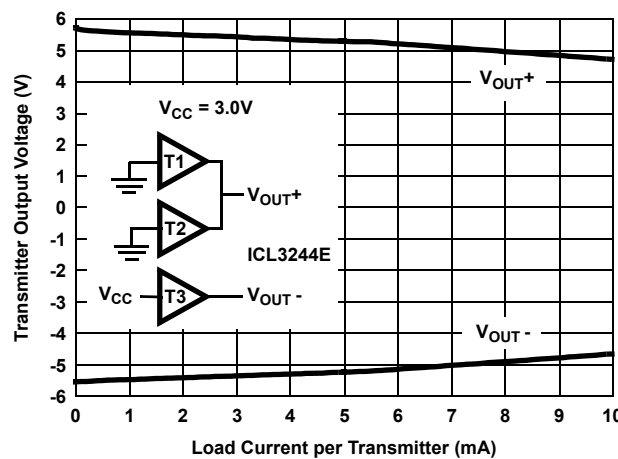


Figure 20. Transmitter Output Voltage vs Load Current (per Transmitter, i.e., Double Current Axis for Total  $V_{OUT+}$  Current)

### 4.11 High Data Rates

The ICL32xxE maintain the RS-232  $\pm 5V$  minimum transmitter output voltages even at high data rates. Figure 21 on page 21 shows a transmitter loopback test circuit, and Figure 22 on page 21 shows the loopback test result at 120kbps. For this test, all transmitters were simultaneously driving RS-232 loads in parallel with 1000pF, at 120kbps. Figure 23 on page 21 shows the loopback results for a single transmitter driving 1000pF and an RS-232 load at 250kbps. The static transmitters were also loaded with an RS-232 receiver.

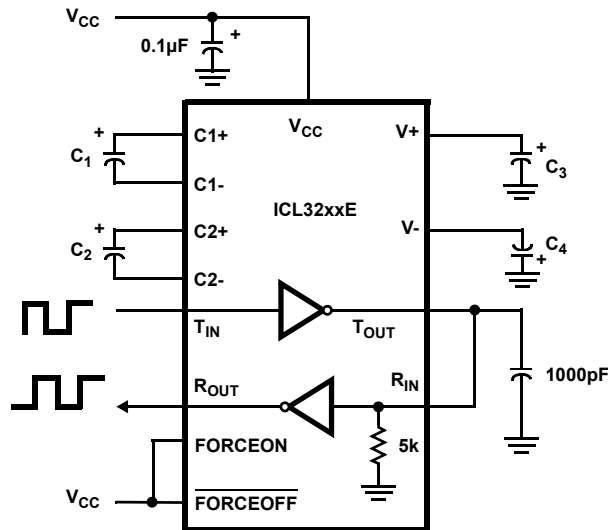


Figure 21. Transmitter Loopback Test Circuit



Figure 22. Loopback Test at 120kbps

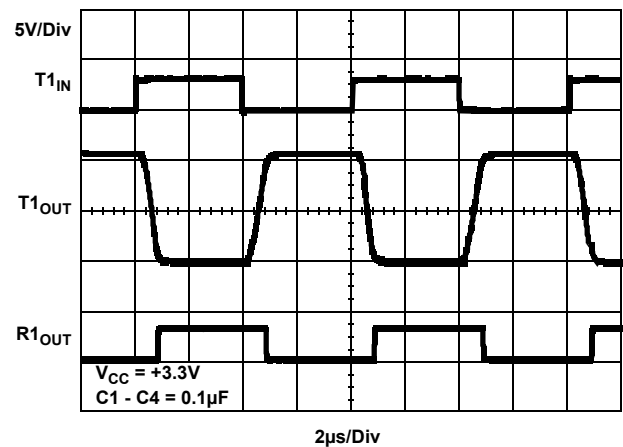


Figure 23. Loopback Test at 250kbps

### 4.12 Interconnection with 3V and 5V Logic

The ICL32xxE directly interfaces with 5V CMOS and TTL logic families. The AC, HC, and CD4000 outputs can drive the ICL32xxE inputs with the ICL32xxE at 3.3V and the logic supply at 5V, but ICL32xxE outputs do not reach the minimum  $V_{IH}$  for these logic families. See [Table 7](#) for more information.

Table 7. Logic Family Compatibility with Various Supply Voltages

| System Power-Supply Voltage (V) | V <sub>CC</sub> Supply Voltage (V) | Compatibility  |
|---------------------------------|------------------------------------|--|
| 3.3                             | 3.3                                | Compatible with all CMOS families.   |
| 5                               | 5                                  | Compatible with all TTL and CMOS logic families.   |
| 5                               | 3.3                                | Compatible with ACT and HCT CMOS, and with TTL. ICL32xxE outputs are incompatible with AC, HC, and CD4000 CMOS inputs. |

## 5. ±15kV ESD Protection

All pins on the ICL32xx devices include ESD protection structures, but the ICL32xxE family incorporates advanced structures that allow the RS-232 pins (transmitter outputs and receiver inputs) to survive ESD events up to ±15kV. The RS-232 pins are particularly vulnerable to ESD damage because they typically connect to an exposed port on the exterior of the finished product. Touching the port pins, or connecting a cable, can cause an ESD event that might destroy unprotected ICs. The ESD structures protect the device whether or not it is powered up, protect without allowing any latchup mechanism to activate, and do not interfere with RS-232 signals as large as ±25V.

### 5.1 Human Body Model (HBM) Testing

The Human Body Model (HBM) test method emulates the ESD event delivered to an IC during human handling. The tester delivers the charge through a 1.5kΩ current limiting resistor, so the test is less severe than the IEC61000 test, which uses a 330Ω limiting resistor. The HBM method determines an IC's ability to withstand the ESD transients typically present during handling and manufacturing. Due to the random nature of these events, each pin is tested with respect to all other pins. The RS-232 pins on "E" family devices can withstand HBM ESD events to ±15kV.

### 5.2 IEC61000-4-2 Testing

The IEC61000 test method applies to finished equipment, rather than to an individual IC. Therefore, the pins most likely to suffer an ESD event are those that are exposed to the outside world (the RS-232 pins in this case), and the IC is tested in its typical application configuration (power applied) rather than testing each pin-to-pin combination. The lower current limiting resistor coupled with the larger charge storage capacitor yields a test that is much more severe than the HBM test. The extra ESD protection built into this device's RS-232 pins allows the design of equipment meeting Level 4 criteria without the need for additional board level protection on the RS-232 port.

### 5.3 Air-gap discharge test method

For the air-gap discharge test, a charged probe tip moves toward the IC pin until the voltage arcs to it. The current waveform delivered to the IC pin depends on factors such as approach speed, humidity, and temperature, so it is difficult to obtain repeatable results. The "E" device RS-232 pins withstand ±15kV air-gap discharges.

### 5.4 Contact Discharge Test Method

During the contact discharge test, the probe contacts the tested pin before the probe tip is energized, and eliminates the variables associated with the air-gap discharge. The result is a more repeatable and predictable test, but equipment limits prevent testing devices at voltages higher than ±8kV. All "E" family devices survive ±8kV contact discharges on the RS-232 pins.

## 6. Die Characteristics

|                                  |  |
|----------------------------------|--|
| Substrate Potential (Powered Up) | GND  |
| Transistor Count                 | ISL3224E: 937<br>ISL3226E: 825<br>ISL3244E: 1109 |
| Process                          | Si Gate CMOS                                     |

## 7. Revision History

| Rev. | Date      | Description   |
|------|-----------|---|
| 13   | Jun.11.19 | Updated to latest formatting.<br>Updated Related Literature section.<br>Updated Ordering information table by adding active tape and reel information, added notes 1-3, and removed retired parts.<br>Added "Charge Pump Abs Max Ratings" on page 12.<br>Added Revision History section.<br>Updated disclaimer. |



### 8. Package Outline Drawings

For the most recent package outline drawing, see [M16.209](#).

M16.209 (JEDEC MO-150-AC ISSUE B)  
16 Lead Shrink Small Outline Plastic Package (SSOP)



| SYMBOL   | INCHES    |       | MILLIMETERS |      | NOTES |
|----------|-----------|-------|-------------|------|-------|
|          | MIN       | MAX   | MIN         | MAX  |       |
| A        | -         | 0.078 | -           | 2.00 | -     |
| A1       | 0.002     | -     | 0.05        | -    | -     |
| A2       | 0.065     | 0.072 | 1.65        | 1.85 | -     |
| B        | 0.009     | 0.014 | 0.22        | 0.38 | 9     |
| C        | 0.004     | 0.009 | 0.09        | 0.25 | -     |
| D        | 0.233     | 0.255 | 5.90        | 6.50 | 3     |
| E        | 0.197     | 0.220 | 5.00        | 5.60 | 4     |
| e        | 0.026 BSC |       | 0.65 BSC    |      | -     |
| H        | 0.292     | 0.322 | 7.40        | 8.20 | -     |
| L        | 0.022     | 0.037 | 0.55        | 0.95 | 6     |
| N        | 16        |       | 16          |      | 7     |
| $\alpha$ | 0°        | 8°    | 0°          | 8°   | -     |

Rev. 3 6/05

Notes:

1. Symbols are defined in the "MO Series Symbol List" in Section 2.2 of Publication Number 95.
2. Dimensioning and tolerancing per ANSI Y14.5M-1982.
3. Dimension "D" does not include mold flash, protrusions or gate burrs. Mold flash, protrusion and gate burrs shall not exceed 0.20mm (0.0078 inch) per side.
4. Dimension "E" does not include interlead flash or protrusions. Interlead flash and protrusions shall not exceed 0.20mm (0.0078 inch) per side.
5. The chamfer on the body is optional. If it is not present, a visual index feature must be located within the crosshatched area.
6. "L" is the length of terminal for soldering to a substrate.
7. "N" is the number of terminal positions.
8. Terminal numbers are shown for reference only.
9. Dimension "B" does not include dambar protrusion. Allowable dambar protrusion shall be 0.13mm (0.005 inch) total in excess of "B" dimension at maximum material condition.
10. Controlling dimension: MILLIMETER. Converted inch dimensions are not necessarily exact.

For the most recent package outline drawing, see [M20.209](#).

M20.209 (JEDEC MO-150-AE ISSUE B)  
20 Lead Shrink Small Outline Plastic Package (SSOP)



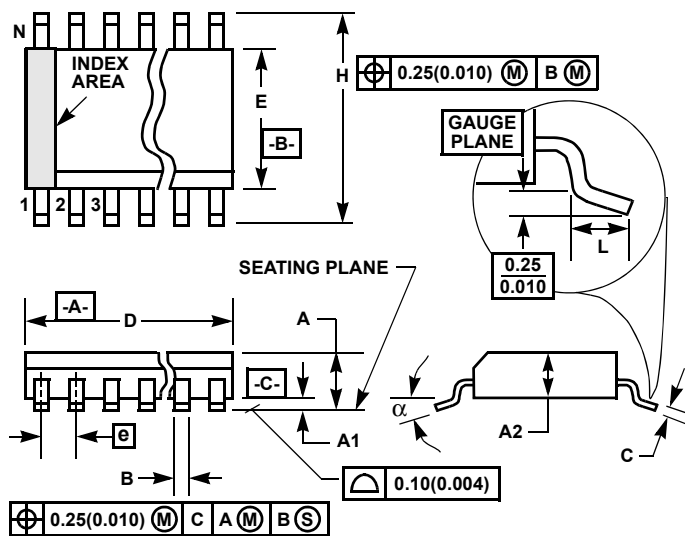
| SYMBOL   | INCHES    |        | MILLIMETERS |        | NOTES |
|----------|-----------|--------|-------------|--------|-------|
|          | MIN       | MAX    | MIN         | MAX    |       |
| A        | 0.068     | 0.078  | 1.73        | 1.99   |       |
| A1       | 0.002     | 0.008  | 0.05        | 0.21   |       |
| A2       | 0.066     | 0.070  | 1.68        | 1.78   |       |
| B        | 0.010     | 0.015  | 0.25        | 0.38   | 9     |
| C        | 0.004     | 0.008  | 0.09        | 0.20   |       |
| D        | 0.278     | 0.289  | 7.07        | 7.33   | 3     |
| E        | 0.205     | 0.212  | 5.20        | 5.38   | 4     |
| e        | 0.026 BSC |        | 0.65 BSC    |        |       |
| H        | 0.301     | 0.311  | 7.65        | 7.90   |       |
| L        | 0.025     | 0.037  | 0.63        | 0.95   | 6     |
| N        | 20        |        | 20          |        | 7     |
| $\alpha$ | 0 deg.    | 8 deg. | 0 deg.      | 8 deg. |       |

Rev. 3 11/02

Notes:

1. Symbols are defined in the "MO Series Symbol List" in Section 2.2 of Publication Number 95.
2. Dimensioning and tolerancing per ANSI Y14.5M-1982.
3. Dimension "D" does not include mold flash, protrusions or gate burrs. Mold flash, protrusion and gate burrs shall not exceed 0.20mm (0.0078 inch) per side.
4. Dimension "E" does not include interlead flash or protrusions. Interlead flash and protrusions shall not exceed 0.20mm (0.0078 inch) per side.
5. The chamfer on the body is optional. If it is not present, a visual index feature must be located within the crosshatched area.
6. "L" is the length of terminal for soldering to a substrate.
7. "N" is the number of terminal positions.
8. Terminal numbers are shown for reference only.
9. Dimension "B" does not include dambar protrusion. Allowable dambar protrusion shall be 0.13mm (0.005 inch) total in excess of "B" dimension at maximum material condition.
10. Controlling dimension: MILLIMETER. Converted inch dimensions are not necessarily exact.

For the most recent package outline drawing, see [M28.209](#).



Notes:

1. Symbols are defined in the "MO Series Symbol List" in Section 2.2 of Publication Number 95.
2. Dimensioning and tolerancing per ANSI Y14.5M-1982.
3. Dimension "D" does not include mold flash, protrusions or gate burrs. Mold flash, protrusion and gate burrs shall not exceed 0.20mm (0.0078 inch) per side.
4. Dimension "E" does not include interlead flash or protrusions. Interlead flash and protrusions shall not exceed 0.20mm (0.0078 inch) per side.
5. The chamfer on the body is optional. If it is not present, a visual index feature must be located within the crosshatched area.
6. "L" is the length of terminal for soldering to a substrate.
7. "N" is the number of terminal positions.
8. Terminal numbers are shown for reference only.
9. Dimension "B" does not include dambar protrusion. Allowable dambar protrusion shall be 0.13mm (0.005 inch) total in excess of "B" dimension at maximum material condition.
10. Controlling dimension: MILLIMETER. Converted inch dimensions are not necessarily exact.

M28.209 (JEDEC MO-150-AH ISSUE B)  
28 Lead Shrink Small Outline Plastic Package (SSOP)

| SYMBOL | INCHES    |       | MILLIMETERS |       | NOTES |
|--------|-----------|-------|-------------|-------|-------|
|        | MIN       | MAX   | MIN         | MAX   |       |
| A      | -         | 0.078 | -           | 2.00  | -     |
| A1     | 0.002     | -     | 0.05        | -     | -     |
| A2     | 0.065     | 0.072 | 1.65        | 1.85  | -     |
| B      | 0.009     | 0.014 | 0.22        | 0.38  | 9     |
| C      | 0.004     | 0.009 | 0.09        | 0.25  | -     |
| D      | 0.390     | 0.413 | 9.90        | 10.50 | 3     |
| E      | 0.197     | 0.220 | 5.00        | 5.60  | 4     |
| e      | 0.026 BSC |       | 0.65 BSC    |       | -     |
| H      | 0.292     | 0.322 | 7.40        | 8.20  | -     |
| L      | 0.022     | 0.037 | 0.55        | 0.95  | 6     |
| N      | 28        |       | 28          |       | 7     |
| α      | 0°        | 8°    | 0°          | 8°    | -     |

Rev. 2 6/05

## Notice

1. Descriptions of circuits, software and other related information in this document are provided only to illustrate the operation of semiconductor products and application examples. You are fully responsible for the incorporation or any other use of the circuits, software, and information in the design of your product or system. Renesas Electronics disclaims any and all liability for any losses and damages incurred by you or third parties arising from the use of these circuits, software, or information.
2. Renesas Electronics hereby expressly disclaims any warranties against and liability for infringement or any other claims involving patents, copyrights, or other intellectual property rights of third parties, by or arising from the use of Renesas Electronics products or technical information described in this document, including but not limited to, the product data, drawings, charts, programs, algorithms, and application examples.
3. No license, express, implied or otherwise, is granted hereby under any patents, copyrights or other intellectual property rights of Renesas Electronics or others.
4. You shall not alter, modify, copy, or reverse engineer any Renesas Electronics product, whether in whole or in part. Renesas Electronics disclaims any and all liability for any losses or damages incurred by you or third parties arising from such alteration, modification, copying or reverse engineering.
5. Renesas Electronics products are classified according to the following two quality grades: "Standard" and "High Quality". The intended applications for each Renesas Electronics product depends on the product's quality grade, as indicated below.

"Standard": Computers; office equipment; communications equipment; test and measurement equipment; audio and visual equipment; home electronic appliances; machine tools; personal electronic equipment; industrial robots; etc.

"High Quality": Transportation equipment (automobiles, trains, ships, etc.); traffic control (traffic lights); large-scale communication equipment; key financial terminal systems; safety control equipment; etc.

Unless expressly designated as a high reliability product or a product for harsh environments in a Renesas Electronics data sheet or other Renesas Electronics document, Renesas Electronics products are not intended or authorized for use in products or systems that may pose a direct threat to human life or bodily injury (artificial life support devices or systems; surgical implantations; etc.), or may cause serious property damage (space system; undersea repeaters; nuclear power control systems; aircraft control systems; key plant systems; military equipment; etc.). Renesas Electronics disclaims any and all liability for any damages or losses incurred by you or any third parties arising from the use of any Renesas Electronics product that is inconsistent with any Renesas Electronics data sheet, user's manual or other Renesas Electronics document.
6. When using Renesas Electronics products, refer to the latest product information (data sheets, user's manuals, application notes, "General Notes for Handling and Using Semiconductor Devices" in the reliability handbook, etc.), and ensure that usage conditions are within the ranges specified by Renesas Electronics with respect to maximum ratings, operating power supply voltage range, heat dissipation characteristics, installation, etc. Renesas Electronics disclaims any and all liability for any malfunctions, failure or accident arising out of the use of Renesas Electronics products outside of such specified ranges.
7. Although Renesas Electronics endeavors to improve the quality and reliability of Renesas Electronics products, semiconductor products have specific characteristics, such as the occurrence of failure at a certain rate and malfunctions under certain use conditions. Unless designated as a high reliability product or a product for harsh environments in a Renesas Electronics data sheet or other Renesas Electronics document, Renesas Electronics products are not subject to radiation resistance design. You are responsible for implementing safety measures to guard against the possibility of bodily injury, injury or damage caused by fire, and/or danger to the public in the event of a failure or malfunction of Renesas Electronics products, such as safety design for hardware and software, including but not limited to redundancy, fire control and malfunction prevention, appropriate treatment for aging degradation or any other appropriate measures. Because the evaluation of microcomputer software alone is very difficult and impractical, you are responsible for evaluating the safety of the final products or systems manufactured by you.
8. Please contact a Renesas Electronics sales office for details as to environmental matters such as the environmental compatibility of each Renesas Electronics product. You are responsible for carefully and sufficiently investigating applicable laws and regulations that regulate the inclusion or use of controlled substances, including without limitation, the EU RoHS Directive, and using Renesas Electronics products in compliance with all these applicable laws and regulations. Renesas Electronics disclaims any and all liability for damages or losses occurring as a result of your noncompliance with applicable laws and regulations.
9. Renesas Electronics products and technologies shall not be used for or incorporated into any products or systems whose manufacture, use, or sale is prohibited under any applicable domestic or foreign laws or regulations. You shall comply with any applicable export control laws and regulations promulgated and administered by the governments of any countries asserting jurisdiction over the parties or transactions.
10. It is the responsibility of the buyer or distributor of Renesas Electronics products, or any other party who distributes, disposes of, or otherwise sells or transfers the product to a third party, to notify such third party in advance of the contents and conditions set forth in this document.
11. This document shall not be reprinted, reproduced or duplicated in any form, in whole or in part, without prior written consent of Renesas Electronics.
12. Please contact a Renesas Electronics sales office if you have any questions regarding the information contained in this document or Renesas Electronics products.

(Note1) "Renesas Electronics" as used in this document means Renesas Electronics Corporation and also includes its directly or indirectly controlled subsidiaries.

(Note2) "Renesas Electronics product(s)" means any product developed or manufactured by or for Renesas Electronics.

(Rev.4.0-1 November 2017)

## Corporate Headquarters

TOYOSU FORESIA, 3-2-24 Toyosu,  
Koto-ku, Tokyo 135-0061, Japan  
[www.renesas.com](http://www.renesas.com)

## Contact Information

For further information on a product, technology, the most up-to-date version of a document, or your nearest sales office, please visit:  
[www.renesas.com/contact/](http://www.renesas.com/contact/)

## Trademarks

Renesas and the Renesas logo are trademarks of Renesas Electronics Corporation. All trademarks and registered trademarks are the property of their respective owners.



## Стандарт Электрон Связь

Мы молодая и активно развивающаяся компания в области поставок электронных компонентов. Мы поставляем электронные компоненты отечественного и импортного производства напрямую от производителей и с крупнейших складов мира.

Благодаря сотрудничеству с мировыми поставщиками мы осуществляем комплексные и плановые поставки широчайшего спектра электронных компонентов.

Собственная эффективная логистика и склад в обеспечивает надежную поставку продукции в точно указанные сроки по всей России.

Мы осуществляем техническую поддержку нашим клиентам и предпродажную проверку качества продукции. На все поставляемые продукты мы предоставляем гарантию .

Осуществляем поставки продукции под контролем ВП МО РФ на предприятия военно-промышленного комплекса России , а также работаем в рамках 275 ФЗ с открытием отдельных счетов в уполномоченном банке. Система менеджмента качества компании соответствует требованиям ГОСТ ISO 9001.

Минимальные сроки поставки, гибкие цены, неограниченный ассортимент и индивидуальный подход к клиентам являются основой для выстраивания долгосрочного и эффективного сотрудничества с предприятиями радиоэлектронной промышленности, предприятиями ВПК и научно-исследовательскими институтами России.

С нами вы становитесь еще успешнее!

### Наши контакты:

**Телефон:** +7 812 627 14 35

**Электронная почта:** [sales@st-electron.ru](mailto:sales@st-electron.ru)

**Адрес:** 198099, Санкт-Петербург,  
Промышленная ул, дом № 19, литера Н,  
помещение 100-Н Офис 331