

| | | | | | | |
|------|------|------|-------|---------------|-------------------------|------|
| 10.0 | 19.5 | 17.6 | 20.26 | 502430-9080 | 502430-9089 | 90 |
| 7.0 | 13.5 | 11.6 | 14.26 | 502430-6080 | 502430-6089 | 60 |
| | 11.5 | 9.6 | 12.26 | 502430-5080 | 502430-5089 | 50 |
| 4.0 | 9.5 | 7.6 | 10.26 | 502430-4080 | 502430-4089 | 40 |
| | 7.9 | 6.0 | 8.66 | 502430-3280 | 502430-3289 | 32 |
| 3.4 | 6.7 | 4.8 | 7.46 | 502430-2680 | 502430-2689 | 26 |
| | 6.3 | 4.4 | 7.06 | 502430-2480 | 502430-2489 | 24 |
| | 5.9 | 4.0 | 6.66 | 502430-2280 | 502430-2289 | 22 |
| 2.4 | 5.5 | 3.6 | 6.26 | 502430-2080 | 502430-2089 | 20 |
| | 4.3 | 2.4 | 5.06 | 502430-1480 | 502430-1489 | 14 |
| D | C | B | A | EMBOSSED TAPE | MATERIAL No. | CKT. |
| | | | | ORDER No. | MODEL No. : 502430-**** | |

| | | | | | | |
|--|--|--|--|------------------------|---------------------------|--|
| RELEASED EC NO. : J2009-0107 DRWN: TTANI GUCHI 01 2008/08/05 CHKD: MSASAO 2008/08/06 APPR: MSASAO 2008/08/08 | GENERAL TOLERANCES (UNLESS SPECIFIED) | DIMENSION STYLE MM ONLY | SCALE 10:1 | DESIGN UNITS METRIC | THIRD ANGLE PROJECTION | |
| | 10 UNDER ± --- 10 OVER 30 UNDER ± --- 30 OVER ± --- ANGULAR ± --- ° DRAFT WHERE APPLICABLE MUST REMAIN WITHIN DIMENSIONS | DRAWN BY DATE TTANI GUCHI 01 2008/07/15 CHECKED BY DATE THIRATA 2008/07/15 APPROVED BY DATE MSASAO 2008/07/15 MATERIAL NO. | TITLE 0.4 B-T-O-B CONN. HGT=1.0 W=2.6 PLUG CHECKER ASSY WITH TAPE | MOLEX INCORPORATED | | |
| | SEE CHART | DOCUMENT NO. SD-502430-007 | SHEET NO. 1 OF 2 | | | |
| | THIS DRAWING CONTAINS INFORMATION THAT IS PROPRIETARY TO MOLEX INCORPORATED AND SHOULD NOT BE USED WITHOUT WRITTEN PERMISSION | | | | | |

注記 NOTES

1. 使用材料 MATERIAL

ウェハ : 液晶ポリマー (LCP) ガラス充填 UL94V-0 (黒)
 WAFER: LIQUID CRYSTAL POLYMER (GLASS FILLED) UL94V-0 (COLOR: BLACK)

ピン : りん青銅 (t=0.08)
 PIN : PHOSPHOR BRONZE (t=0.08)

金具 : りん青銅 (t=0.15)
 FITTING NAIL : PHOSPHOR BRONZE (t=0.15)

吸着テープ : ポリイミド
 VACUUM TAPE : POLYIMIDE

2. メッキ仕様 PLATING

ピン PIN

金メッキ 0.1 マイクロメートル以上
 GOLD 0.1 MICROMETER MINIMUM

下地メッキ : ニッケルメッキ 1.0 マイクロメートル以上
 UNDER PLATING : NICKEL 1.0 MICROMETER MINIMUM

※コンタクト部とテール部はニッケルメッキによって分断されている金メッキです。
 DIVIDE INTO PARTS THE GOLD PLATING OF THE CONTACT AND THE TAIL PART BY THE NICKEL PLATING.

※封孔処理品

金具 FITTING NAIL

フラッシュ金メッキ
 FLASH Au PLATING

下地メッキ : ニッケルメッキ 1.0 マイクロメートル以上
 UNDER PLATING : NICKEL 1.0 MICROMETER MINIMUM

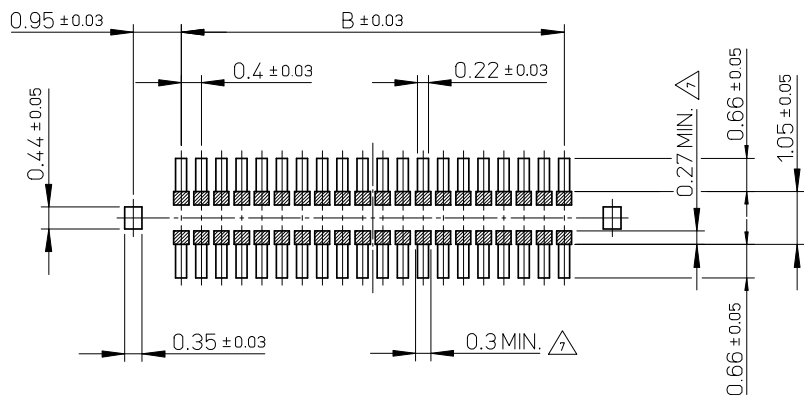
③ (全極数 / 2) = 偶数の場合に適用。
 APPLY FOR (CIRCUIT/2)=EVEN.

4. 嵌合相手 : 502426 シリーズ
 MATE WITH : 502426 SERIES.

5. テール平坦度は、0.08 以下
 テール及び金具の平坦度は、0.1 以下
 TAIL COPLANARITY TO BE 0.08 MAXIMUM.
 TAIL AND FITTING NAIL COPLANARITY TO BE 0.1 MAXIMUM.

6. ELV 及び RoHS 適合品
 ELV AND RoHS COMPLIANT.

⑦ 斜線部はパターン書込み禁止範囲と半田禁止範囲を示す。
 ただし、斜線部に同一配線を配置する場合はレジストを施し、この部分に半田は無きこと。
 NO PATTERN CIRCUIT AND NO SOLDER ALLOWED IN THE SHADED AREA.
 HOWEVER, IF NEEDED TO ADD A TRACE OF THE SAME CIRCUIT, PUT THE SOLDER-RESIST, YET NO SOLDER ALLOWED IN THE AREA.

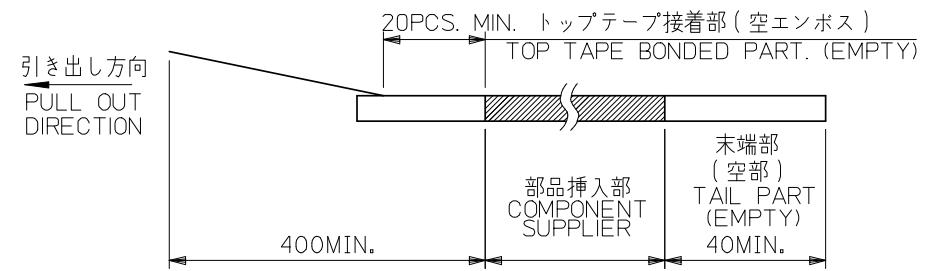
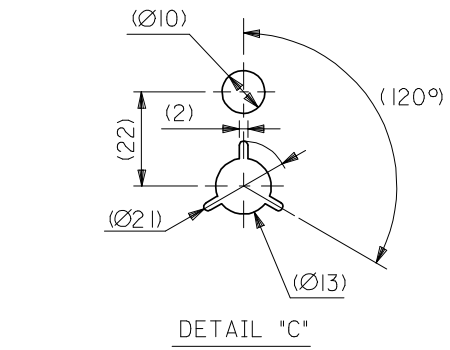
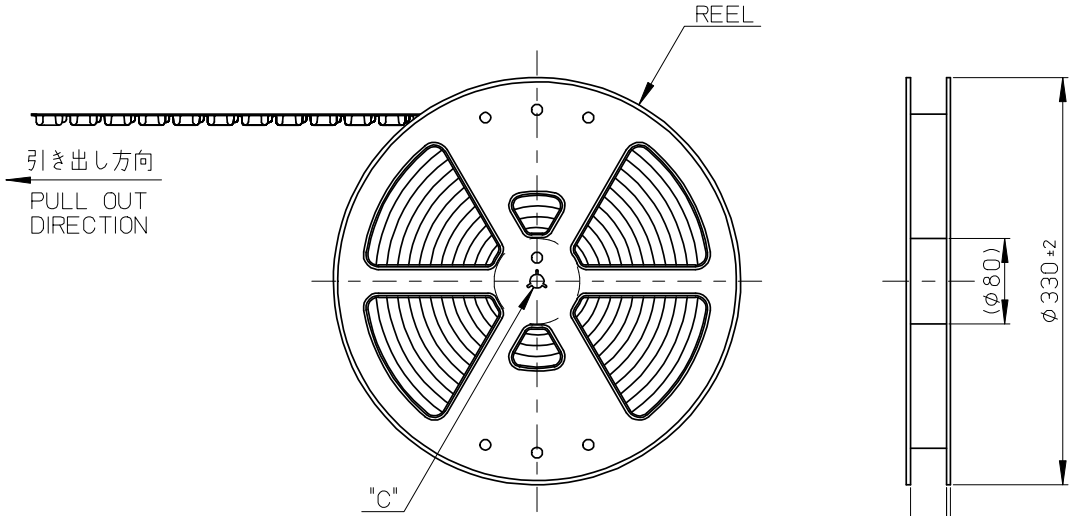


P.C. BOARD PATTERN LAYOUT
 (REFERENCE)

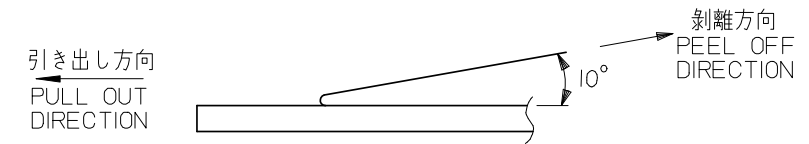
| | | | | | | | |
|--|---|-----------------------------|-------------------------------|---------------------|---|------------------------|--|
| RELEASED EC NO: J2009-0107 DRWN: TTANI GUCHI 01 2008/08/05 CHKD: MSASAO 2008/08/06 APPR: MSASAO 2008/08/08 | GENERAL TOLERANCES (UNLESS SPECIFIED) | | DIMENSION STYLE MM ONLY | SCALE 10:1 | DESIGN UNITS METRIC | THIRD ANGLE PROJECTION | |
| | 10 UNDER | ±--- | DRAWN BY TTANI GUCHI 01 | DATE 2008/07/15 | TITLE 0.4 B-TO-B CONN. HGT=1.0 W=2.6 PLUG CHECKER ASSY WITH TAPE | | |
| | 10 OVER 30 UNDER | ±--- | CHECKED BY THIRATA | DATE 2008/07/15 | MOLEX INCORPORATED | | |
| | 30 OVER | ±--- | APPROVED BY MSASAO | DATE 2008/07/15 | | | |
| ANGULAR | ±---° | MATERIAL NO. SEE SHEET 1 | DOCUMENT NO. SD-502430-007 | SHEET NO. 2 OF 2 | | | |
| DRAFT WHERE APPLICABLE MUST REMAIN WITHIN DIMENSIONS | THIS DRAWING CONTAINS INFORMATION THAT IS PROPRIETARY TO MOLEX INCORPORATED AND SHOULD NOT BE USED WITHOUT WRITTEN PERMISSION | | | | | | |

注記 NOTES

- 製品詳細寸法については製品単体図面を参照下さい。
RE DETAILED DIMENSION, SEE PRODUCT DRAWING.
- 梱包数量：3000 個/リール
NUMBER OF CONNECTORS : 3000PCS/REEL
- リードテープ長さ LEAD TAPE LENGTH

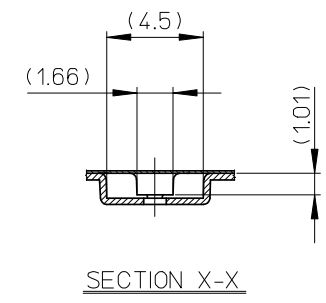
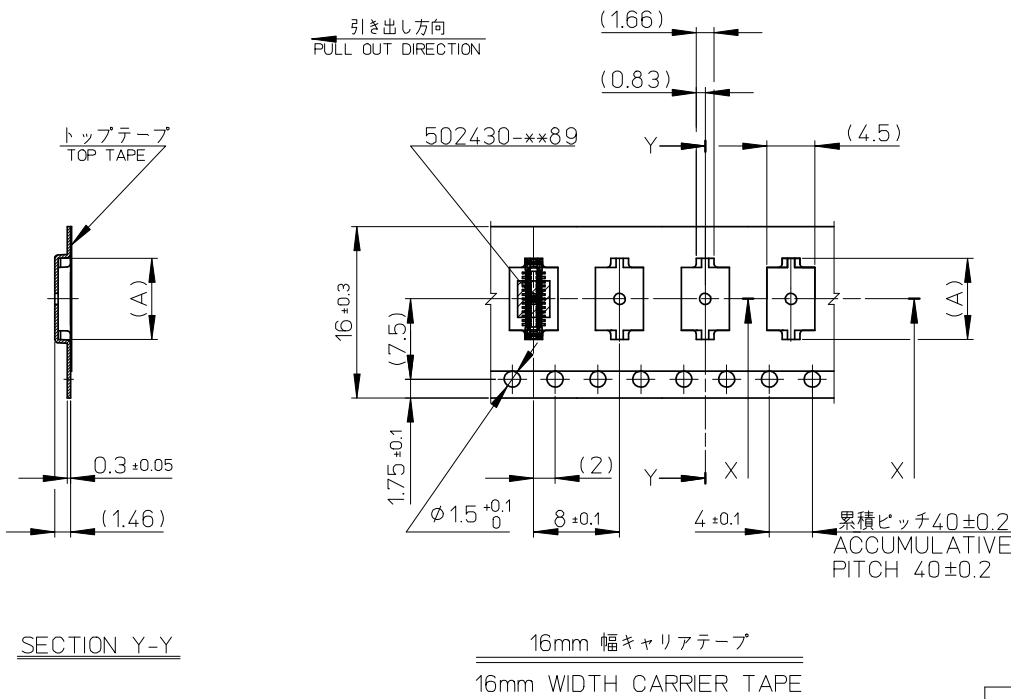


- トップテープの剥離強度：0.1N~1.3N(10gf~130gf)
(剥離方向は下図参照)
尚、本規格値は出荷時に適用。(但し、輸送時に剥離が発生しないこと。)
PEELING OFF FORCE OF TOP TAPE : 0.1N~1.3N(10gf~130gf)
(PEELING DIRECTION AS SHOWN IN FOLLOWING FIG.)
THIS REQUIREMENT SHOULD BE APPLIED AT SHIPMENT.
PEEL OFF SHOULD NOT BE ALLOWED, DURING TRANSPORTION.



- 材料 MATERIAL
キャリアテープ (CARRIER TAPE) : ポリスチレン (POLYSTYRENE)
トップテープ (TOP TAPE) : PET, PE, PEF
リール (REEL) : ポリスチレン (PS) <リサイクル材を含む>
POLYSTYRENE (PS) <RECYCLE MATERIAL CONTAINED>
- ELV及びRoHS適合品。
ELV AND RoHS COMPLIANT.

| | | | | | |
|--|---------------------------------------|--|--|--|--------------------------|
| RELEASED EC NO: J2009-0107 DRWN: ITANI GUCHI 01 2008/08/05 CH'KD: 2008/08/06 APPR: MSASAO 2008/08/08 REV: 0 | GENERAL TOLERANCES (UNLESS SPECIFIED) | DIMENSION STYLE MM ONLY | SCALE --- | DESIGN UNITS METRIC | MODEL NO. 502430-**80 |
| | 10 UNDER ±--- | DRAWN BY TTANI GUCHI 01 | DATE 2008/07/15 | TITLE 0.4 B-TO-B CONN. HGT=1.0 W=2.6 PLUG CHECKER ASSY WITH TAPE EMBSTP PKG | |
| | 10 OVER 30 UNDER ±--- | CHECKED BY THIRATA | DATE 2008/07/15 | MOLEX INCORPORATED DOCUMENT NO. SD-502430-008 SHEET NO. 1 OF 4 | |
| | 30 OVER ±--- | APPROVED BY MSASAO | DATE 2008/07/15 | | |
| | ANGULAR ±--- | DRAFT WHERE APPLICABLE MUST REMAIN WITHIN DIMENSIONS | | SEE CHART | |
| | | SIZE A3 | THIS DRAWING CONTAINS INFORMATION THAT IS PROPRIETARY TO MOLEX INCORPORATED AND SHOULD NOT BE USED WITHOUT WRITTEN PERMISSION | | |



| | | | | |
|--------------------------------|------|------|--------------|--------------|
| 16 | 17.5 | 7.58 | 502430-2680 | 26 |
| | | 7.18 | 502430-2480 | 24 |
| | | 6.78 | 502430-2280 | 22 |
| | | 6.38 | 502430-2080 | 20 |
| | | 5.18 | 502430-1480 | 14 |
| キャリアテープ幅 CARRIER TAPE WIDTH | B | (A) | MATERIAL No. | CKT. |
| | | | MODEL No. | 502430-**-80 |

| | | | | | | | |
|---|-------------|--|-----------------|---|--------------|---|--|
| RELEASED EC NO: J2009-0107 DRWN: TTANIGUCHI 01 2008/08/05 CHKD: MSASAO 2008/08/06 APPR: MSASAO 2008/08/08 | DESCRIPTION | GENERAL TOLERANCES (UNLESS SPECIFIED) | DIMENSION STYLE | SCALE | DESIGN UNITS | THIRD ANGLE PROJECTION | |
| | REV | 10 UNDER | MM ONLY | --- | METRIC | ☉ □ | |
| | 0 | 10 OVER 30 UNDER | ± --- | DRAWN BY | DATE | TITLE | |
| | | 30 OVER | ± --- | TTANIGUCHI 01 | 2008/07/15 | 0.4 B-TO-B CONN. HGT=1.0 W=2.6 PLUG CHECKER ASSY WITH TAPE EMBSTP PKG | |
| | | ANGULAR | ± --- ° | CHECKED BY | DATE | | |
| | | DRAFT WHERE APPLICABLE MUST REMAIN WITHIN DIMENSIONS | | THIRATA | 2008/07/15 | | |
| | | | APPROVED BY | DATE | | | |
| | | | MSASAO | 2008/07/15 | | | |
| | | | MATERIAL NO. | DOCUMENT NO. | | | |
| | | | SEE CHART | SD-502430-008 | | | |
| | | | SIZE | THIS DRAWING CONTAINS INFORMATION THAT IS PROPRIETARY TO MOLEX INCORPORATED AND SHOULD NOT BE USED WITHOUT WRITTEN PERMISSION | | | |
| | | | A3 | | | | |

F

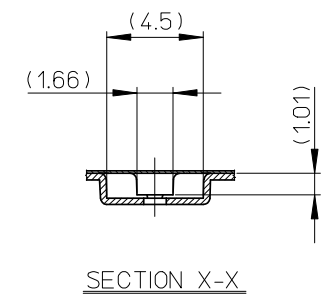
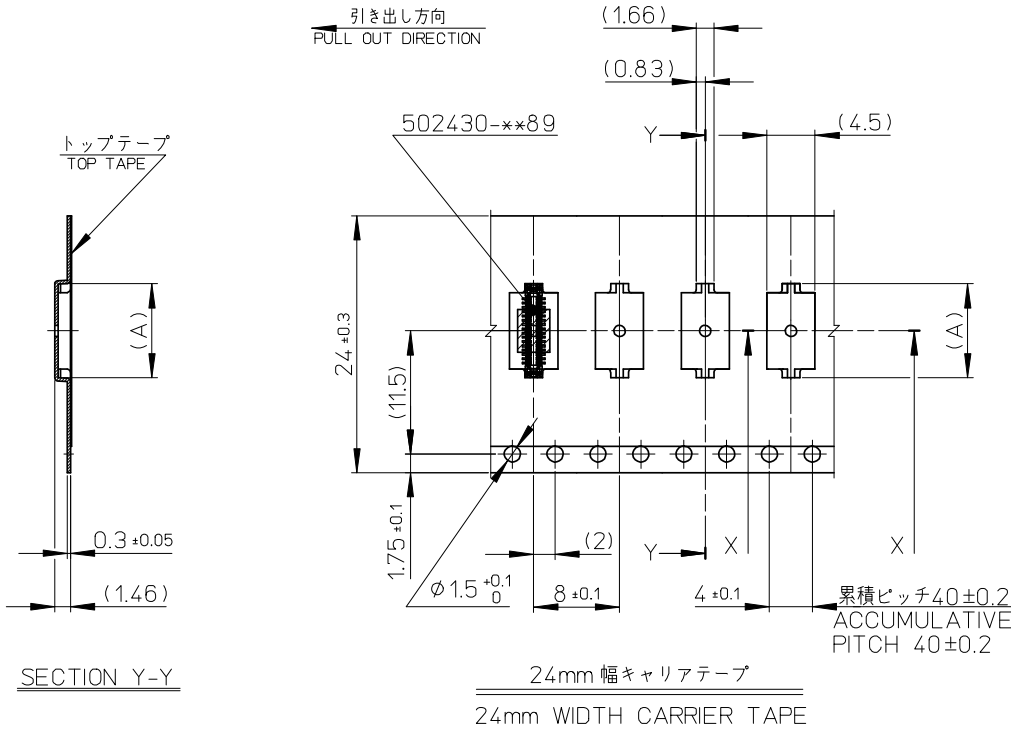
E

D

C

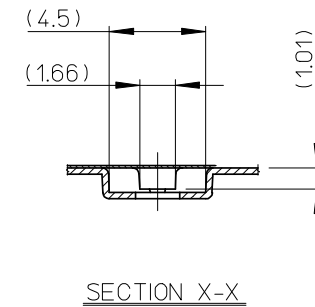
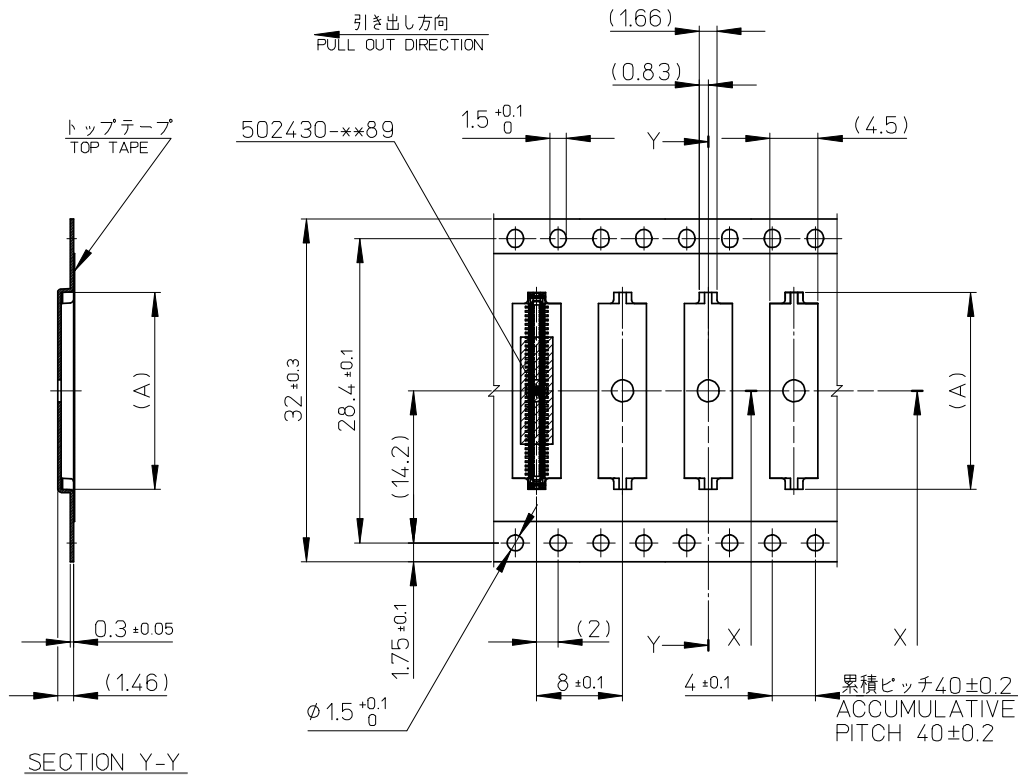
B

A



| | | | | |
|--------------------------------|------|-------|--------------|-------------|
| 24 | 25.5 | 14.38 | 502430-6080 | 60 |
| | | 12.38 | 502430-5080 | 50 |
| | | 10.38 | 502430-4080 | 40 |
| | | 8.78 | 502430-3280 | 32 |
| キャリアテープ幅 CARRIER TAPE WIDTH | B | (A) | MATERIAL No. | CKT. |
| | | | MODEL No. | 502430-**80 |

| | | | | | | | |
|---|--|---------------------------------------|---|--------------|---------------|------------------------|---|
| RELEASED EC NO: J2009-0107 DRWN: TTANI GUCHI 01 2008/08/05 CHK: MSASAO 2008/08/06 APPR: MSASAO 2008/08/08 | DESCRIPTION | GENERAL TOLERANCES (UNLESS SPECIFIED) | DIMENSION STYLE | SCALE | DESIGN UNITS | THIRD ANGLE PROJECTION | |
| | REV | 10 UNDER ±--- | MM ONLY | --- | METRIC | ☉ □ | |
| | 0 | 10 OVER 30 UNDER ±--- | TITANIGUCHI 01 2008/07/15 | TITLE | | | 0.4 B-TO-B CONN. HGT=1.0 W=2.6 PLUG CHECKER ASSY WITH TAPE EMBSTP PKG |
| | | 30 OVER ±--- | THIRATA 2008/07/15 | DATE | | | |
| | | ANGULAR ±--- | APPROVED BY DATE | DATE | | | MOLEX INCORPORATED |
| | DRAFT WHERE APPLICABLE MUST REMAIN WITHIN DIMENSIONS | MSASAO 2008/07/15 | 2008/07/15 | | | | |
| | | MATERIAL NO. | SEE CHART | DOCUMENT NO. | SD-502430-008 | SHEET NO. 3 OF 4 | |
| | | SIZE | THIS DRAWING CONTAINS INFORMATION THAT IS PROPRIETARY TO MOLEX INCORPORATED AND SHOULD NOT BE USED WITHOUT WRITTEN PERMISSION | | | | |



32mm 幅キャリアテープ
32mm WIDTH CARRIER TAPE

| | | | | |
|--------------------------------|------|-------|--------------|-------------|
| 32 | 33.5 | 20.38 | 502430-9080 | 90 |
| キャリアテープ幅 CARRIER TAPE WIDTH | B | (A) | MATERIAL No. | CKT. |
| | | | MODEL No. | 502430-**80 |

| | | | | | | |
|---|-------------|---------------------------------------|--|--|------------------------|------------------------|
| RELEASED EC NO: J2009-0107 DRWN: TTANIGUCHI 01 2008/08/05 CHK: MSASAO 2008/08/06 APPR: MSASAO 2008/08/08 REV 0 | DESCRIPTION | GENERAL TOLERANCES (UNLESS SPECIFIED) | DIMENSION STYLE MM ONLY | SCALE --- | DESIGN UNITS METRIC | THIRD ANGLE PROJECTION |
| | | 10 UNDER ± --- | DRAWN BY DATE TTANIGUCHI 01 2008/07/15 | TITLE 0.4 B-TO-B CONN. HGT=1.0 W=2.6 PLUG CHECKER ASSY WITH TAPE EMBSTP PKG | | |
| | | 10 OVER 30 UNDER ± --- | CHECKED BY DATE THIRATA 2008/07/15 | APPROVED BY DATE MSASAO 2008/07/15 | | |
| | | 30 OVER ± --- | MATERIAL NO. SEE CHART | DOCUMENT NO. SD-502430-008 | | |
| | | ANGULAR ± --- ° | DRAFT WHERE APPLICABLE MUST REMAIN WITHIN DIMENSIONS | | SHEET NO. 4 OF 4 | |



Стандарт Электрон Связь

Мы молодая и активно развивающаяся компания в области поставок электронных компонентов. Мы поставляем электронные компоненты отечественного и импортного производства напрямую от производителей и с крупнейших складов мира.

Благодаря сотрудничеству с мировыми поставщиками мы осуществляем комплексные и плановые поставки широчайшего спектра электронных компонентов.

Собственная эффективная логистика и склад в обеспечивает надежную поставку продукции в точно указанные сроки по всей России.

Мы осуществляем техническую поддержку нашим клиентам и предпродажную проверку качества продукции. На все поставляемые продукты мы предоставляем гарантию .

Осуществляем поставки продукции под контролем ВП МО РФ на предприятия военно-промышленного комплекса России , а также работаем в рамках 275 ФЗ с открытием отдельных счетов в уполномоченном банке. Система менеджмента качества компании соответствует требованиям ГОСТ ISO 9001.

Минимальные сроки поставки, гибкие цены, неограниченный ассортимент и индивидуальный подход к клиентам являются основой для выстраивания долгосрочного и эффективного сотрудничества с предприятиями радиоэлектронной промышленности, предприятиями ВПК и научно-исследовательскими институтами России.

С нами вы становитесь еще успешнее!

Наши контакты:

Телефон: +7 812 627 14 35

Электронная почта: sales@st-electron.ru

Адрес: 198099, Санкт-Петербург,
Промышленная ул, дом № 19, литера Н,
помещение 100-Н Офис 331