

FOD410, FOD4108, FOD4116, FOD4118 6-Pin DIP Zero-Cross Triac Drivers

Features

- 300mA on-state current
- Zero-voltage crossing
- High blocking voltage
 - 800V (FOD4108, FOD4118)
 - 600V (FOD410, FOD4116)
- High trigger sensitivity
 - 1.3mA (FOD4116, FOD4118)
 - 2mA (FOD410, FOD4108)
- High static dv/dt (10,000V/μs)
- UL, VDE, CSA approved
- Lead free assembly

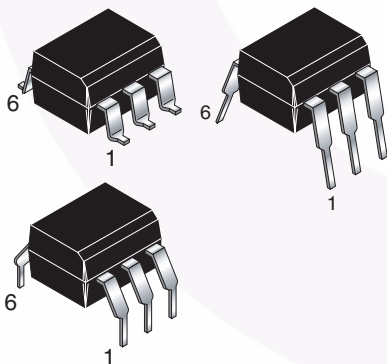
Applications

- Solid-state relays
- Industrial controls
- Lighting controls
- Static power switches
- AC motor starters

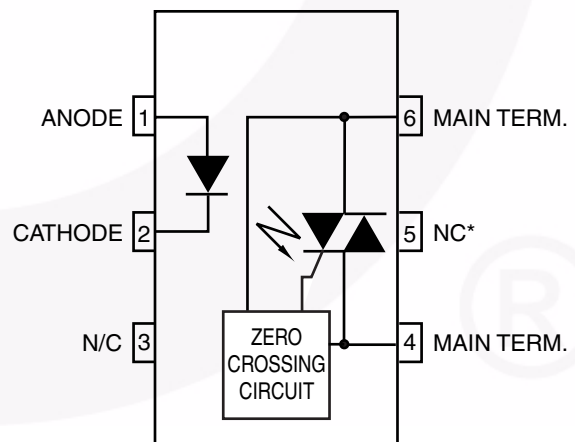
Description

The FOD410, FOD4108, FOD4116 and FOD4118 devices consist of an infrared emitting diode coupled to a hybrid triac formed with two inverse parallel SCRs which form the triac function capable of driving discrete triacs. The FOD4116 and FOD4118 utilize a high efficiency infrared emitting diode which offers an improved trigger sensitivity. These devices are housed in a standard 6-pin dual in-line (DIP) package.

Package



Schematic



*DO NOT CONNECT
(TRIAC SUBSTRATE)

Absolute Maximum Ratings ($T_A = 25^\circ\text{C}$ unless otherwise noted)

Stresses exceeding the absolute maximum ratings may damage the device. The device may not function or be operable above the recommended operating conditions and stressing the parts to these levels is not recommended. In addition, extended exposure to stresses above the recommended operating conditions may affect device reliability. The absolute maximum ratings are stress ratings only.

| Symbol | Parameters | Device | Value | Units |
|---------------------|---|------------------|----------------|----------------------|
| TOTAL DEVICE | | | | |
| T_{STG} | Storage Temperature | All | -55 to +150 | $^\circ\text{C}$ |
| T_{OPR} | Operating Temperature | All | -55 to +100 | $^\circ\text{C}$ |
| T_{SOL} | Lead Solder Temperature (Wave) | All | 260 for 10 sec | $^\circ\text{C}$ |
| T_J | Junction Temperature Range | All | 125 | $^\circ\text{C}$ |
| V_{ISO} | Isolation Test Voltage ⁽¹⁾ (rms AC voltage, 60Hz, 1 min. duration) | All | 5000 | Vac(rms) |
| P_{DTOTAL} | Total Device Power Dissipation @ 25°C Derate above 25°C | All | 500 | mW |
| | | | 6.6 | mW/ $^\circ\text{C}$ |
| EMITTER | | | | |
| I_F | Continuous Forward Current | All | 30 | mA |
| V_R | Reverse Voltage | All | 6 | V |
| P_{DE} | Total Power Dissipation 25°C Ambient Derate above 25°C | All | 50 | mW |
| | | | 0.71 | mW/ $^\circ\text{C}$ |
| DETECTOR | | | | |
| V_{DRM} | Off-State Output Terminal Voltage | FOD410, FOD4116 | 600 | V |
| | | FOD4108, FOD4118 | 800 | |
| I_{TSM} | Peak Non-Repetitive Surge Current (single cycle 60Hz sine wave) | All | 3 | A |
| I_{TM} | Peak On-State Current | All | 300 | mA |
| P_{DDET} | Total Power Dissipation @ 25°C Ambient Derate above 25°C | All | 450 | mW |
| | | | 5.9 | mW/ $^\circ\text{C}$ |

Note:

1. Isolation voltage, V_{ISO} , is an internal device dielectric breakdown rating. For this test, Pins 1, 2 and 3 are common, and Pins 4, 5 and 6 are common. 5,000 VRMS for 1 minute duration is equivalent to 6,000 VRMS for 1 second duration.

Electrical Characteristics (T_A = 25°C Unless otherwise specified)

Individual Component Characteristics

| Symbol | Parameters | Test Conditions | Device | Min. | Typ.* | Max | Units |
|---------------------|--|---|-----------------------|------------------|--------|-----|-------|
| EMITTER | | | | | | | |
| V _F | Input Forward Voltage | I _F = 20mA | All | | 1.25 | 1.5 | V |
| I _R | Reverse Leakage Current | V _R = 6V | All | | 0.0001 | 10 | μA |
| DETECTOR | | | | | | | |
| I _{D(RMS)} | Peak Blocking Current, Either Direction | I _F = 0, T _A = 100°C ⁽²⁾ | V _D = 800V | FOD4108, FOD4118 | 3 | 100 | μA |
| | | | V _D = 600V | FOD410, FOD4116 | | | |
| I _{R(RMS)} | Reverse Current | T _A = 100°C | V _D = 800V | FOD4108, FOD4118 | 3 | 100 | μA |
| | | | V _D = 600V | FOD410, FOD4116 | | | |
| dv/dt | Critical Rate of Rise of Off-State Voltage | I _F = 0 ⁽⁴⁾ (Fig. 11) | | 10,000 | | | V/μs |

Transfer Characteristics

| Symbol | DC Characteristics | Test Conditions | Device | Min. | Typ.* | Max. | Units |
|----------------------|---|---|---|--------------------------|--------|------|-------|
| I _{FT} | LED Trigger Current | Main Terminal Voltage = 5V ⁽³⁾ | FOD410, FOD4108 | | 0.65 | 2.0 | mA |
| | | | FOD4116, FOD4118 | | 0.65 | 1.3 | |
| V _{TM} | Peak On-State Voltage, Either Direction | I _{TM} = 300 mA peak, I _F = rated I _{FT} | All | | 2.2 | 3 | V |
| I _H | Holding Current, Either Direction | V _T = 3V | All | | 200 | 500 | μA |
| I _L | Latching Current | V _T = 2.2V | All | | 5 | | mA |
| t _{ON} | Turn-On Time | PF = 1.0, I _T = 300mA | V _{RM} = V _{DM} = 565 VAC | FOD4108 | | 60 | μs |
| | | | V _{RM} = V _{DM} = 424 VAC | FOD410, FOD4116, FOD4118 | | | |
| t _{OFF} | Turn-Off Time | | V _{RM} = V _{DM} = 565 VAC | FOD4108 | | 52 | μs |
| | | | V _{RM} = V _{DM} = 424 VAC | FOD410, FOD4116, FOD4118 | | | |
| dv/dt _{crq} | Critical Rate of Rise of Voltage at Current Commutation | V _D = 0.67 V _{DRM} , di/dt _{crq} ≤ 15 A/ms | T _j = 25°C | All | 10,000 | | V/μs |
| | | | T _j = 80°C | | 5,000 | | |
| di/dt _{cr} | Critical Rate of Rise of On-State Current | | All | | | 8 | A/μs |
| dV(IO)/dt | Critical Rate of Rise of Coupled Input/Output Voltage | I _T = 0A, V _{RM} = V _{DM} = 424VAC | All | | 10,000 | | V/μs |

*Typical values at T_A = 25°C

Electrical Characteristics ($T_A = 25^\circ\text{C}$ Unless otherwise specified) (Continued)

Zero Crossing Characteristics

| Symbol | DC Characteristics | Test Conditions | Min. | Typ.* | Max. | Units |
|------------|---|---|------|-------|------|---------------|
| V_{INH} | Inhibit Voltage (MT1-MT2 voltage above which device will not trigger) | $I_F = \text{Rated } I_{FT}$ | | 8 | 25 | V |
| I_{DRM2} | Leakage in Inhibited State | $I_F = \text{Rated } I_{FT}$, Rated V_{DRM} , off state | | 20 | 200 | μA |

Isolation Characteristics

| Symbol | Characteristics | Test Conditions | Min. | Typ.* | Max. | Units |
|-----------|--------------------------------|--|------|-------|------|----------|
| V_{ISO} | Input-Output Isolation Voltage | $f = 60\text{Hz}$, $t = 1 \text{ min.}^{(5)}$ | 5000 | | | Vac(rms) |

*Typical values at $T_A = 25^\circ\text{C}$

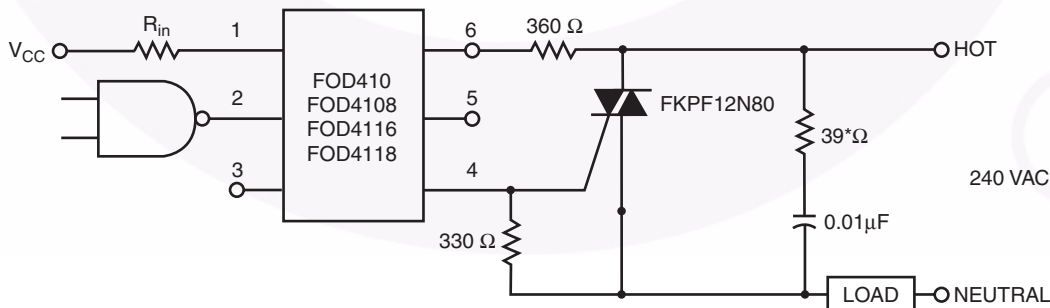
Notes:

- Test voltage must be applied within dv/dt rating.
- All devices are guaranteed to trigger at an I_F value less than or equal to max I_{FT} . Therefore, recommended operating I_F lies between max I_{FT} (2mA for FOD410 and FOD4108 and 1.3mA for FOD4116 and FOD4118 and the absolute max I_F (60mA).
- This is static dv/dt . See Figure 11 for test circuit. Commutating dv/dt is a function of the load-driving thyristor(s) only.
- Isolation voltage, V_{ISO} , is an internal device dielectric breakdown rating. For this test, Pins 1, 2 and 3 are common, and Pins 4, 5 and 6 are common.

Typical Application

Typical circuit for use when hot line switching is required. In this circuit the "hot" side of the line is switched and the load connected to the cold or neutral side. The load may be connected to either the neutral or hot line.

R_{in} is calculated so that I_F is equal to the rated I_{FT} of the part, 2mA for FOD410 and FOD4108, 1.3mA for FOD4116 and FOD4118. The 39 Ω resistor and 0.01 μF capacitor are for snubbing of the triac and may or may not be necessary depending upon the particular triac and load use.



* For highly inductive loads (power factor < 0.5), change this value to 360 ohms.

Figure 1. Hot-Line Switching Application Circuit

Typical Performance Curves

Figure 2. Forward Voltage (V_F) vs. Forward Current (I_F)

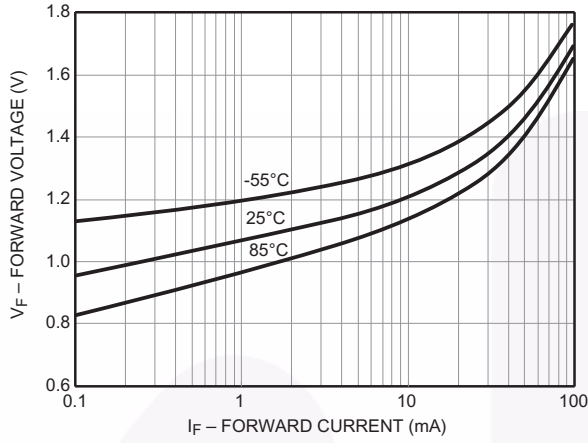


Figure 3. Normalized LED Trigger Current (I_{FT}) vs. Ambient Temperature (T_A)

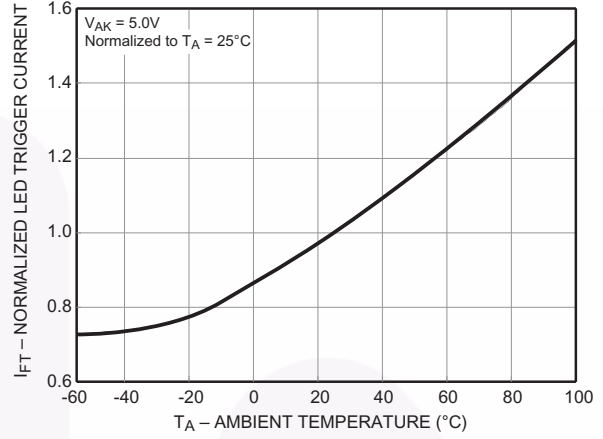


Figure 4. Peak LED Current vs. Duty Factor, Tau

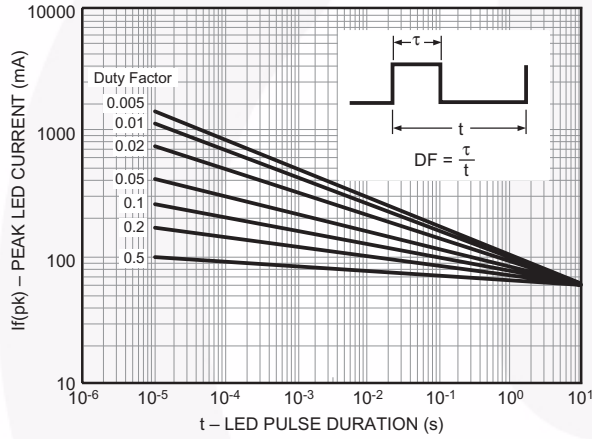


Figure 5. Trigger Delay Time

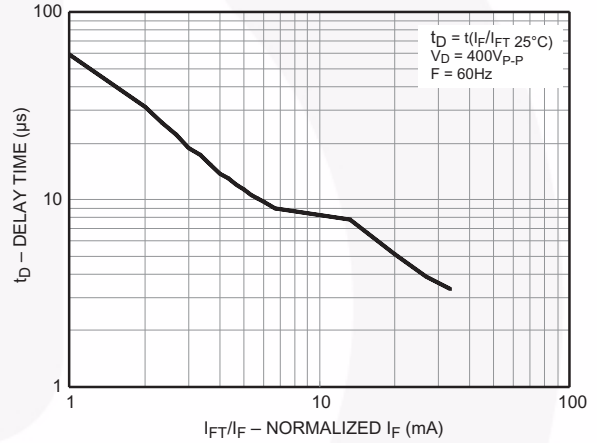


Figure 6. Pulse Trigger Current

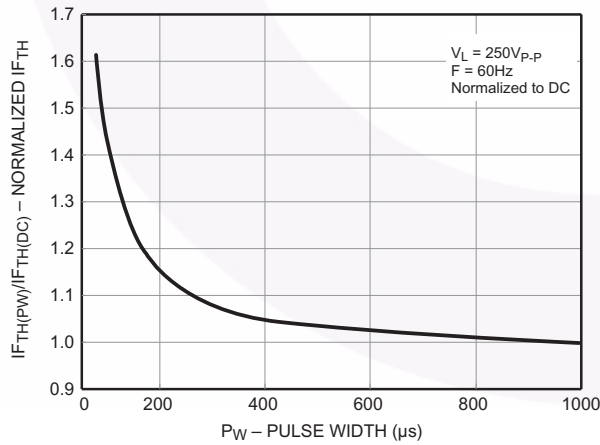
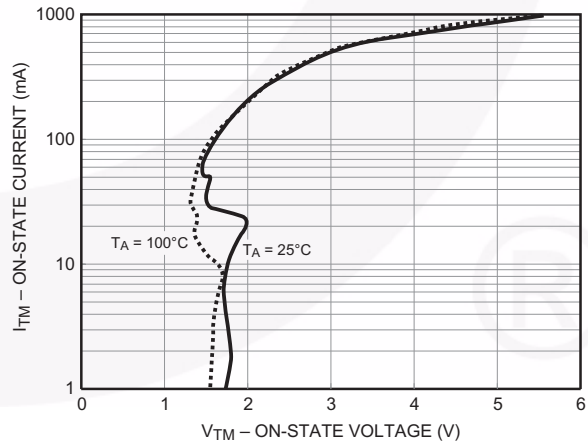


Figure 7. On-State Voltage (V_{TM}) vs. On-State Current (I_{TM})



Typical Performance Curves (Continued)

Figure 8. Normalized Holding Current (I_H) vs. Ambient Temperature (T_A)

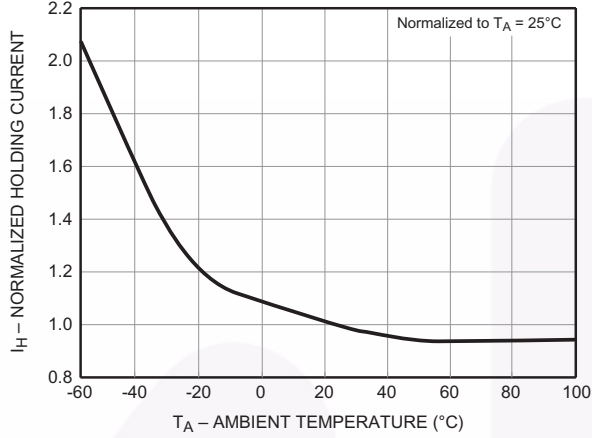


Figure 9. Normalized Off-State Current (I_{DRM}) vs. Ambient Temperature (T_A)

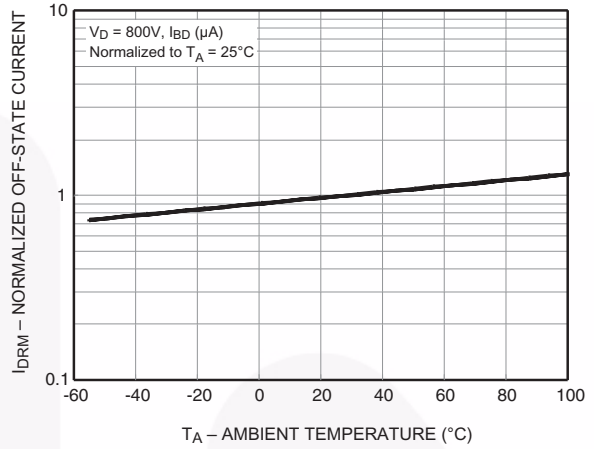


Figure 10. Normalized Inhibit Voltage (V_{INH}) vs. Ambient Temperature (T_A)

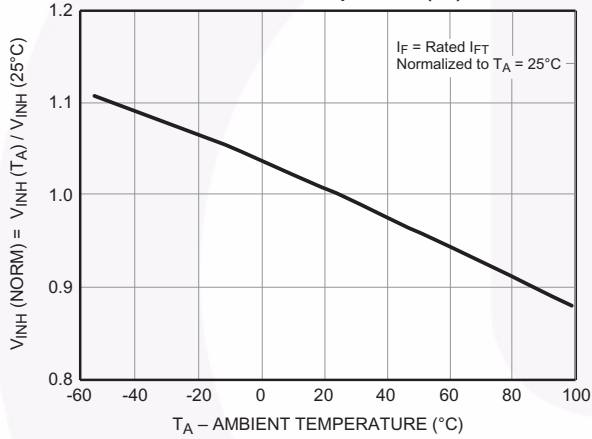


Figure 11. Normalized Leakage in Inhibit State (I_{DRM2}) vs. Ambient Temperature (T_A)

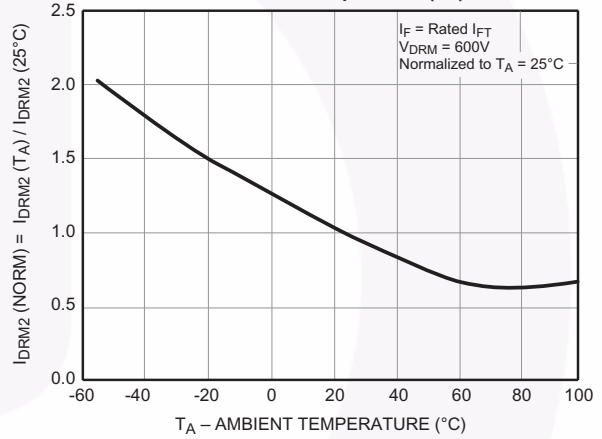
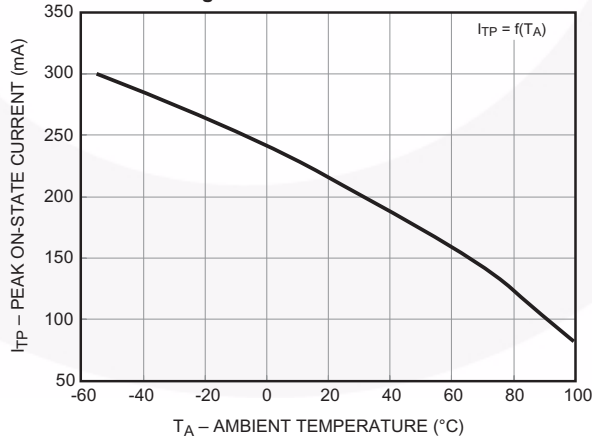
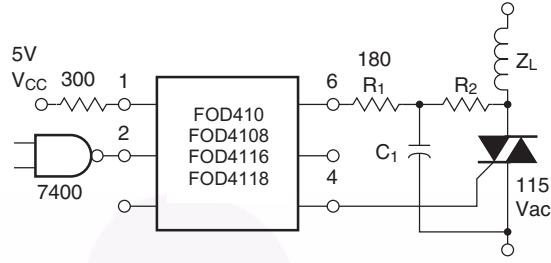


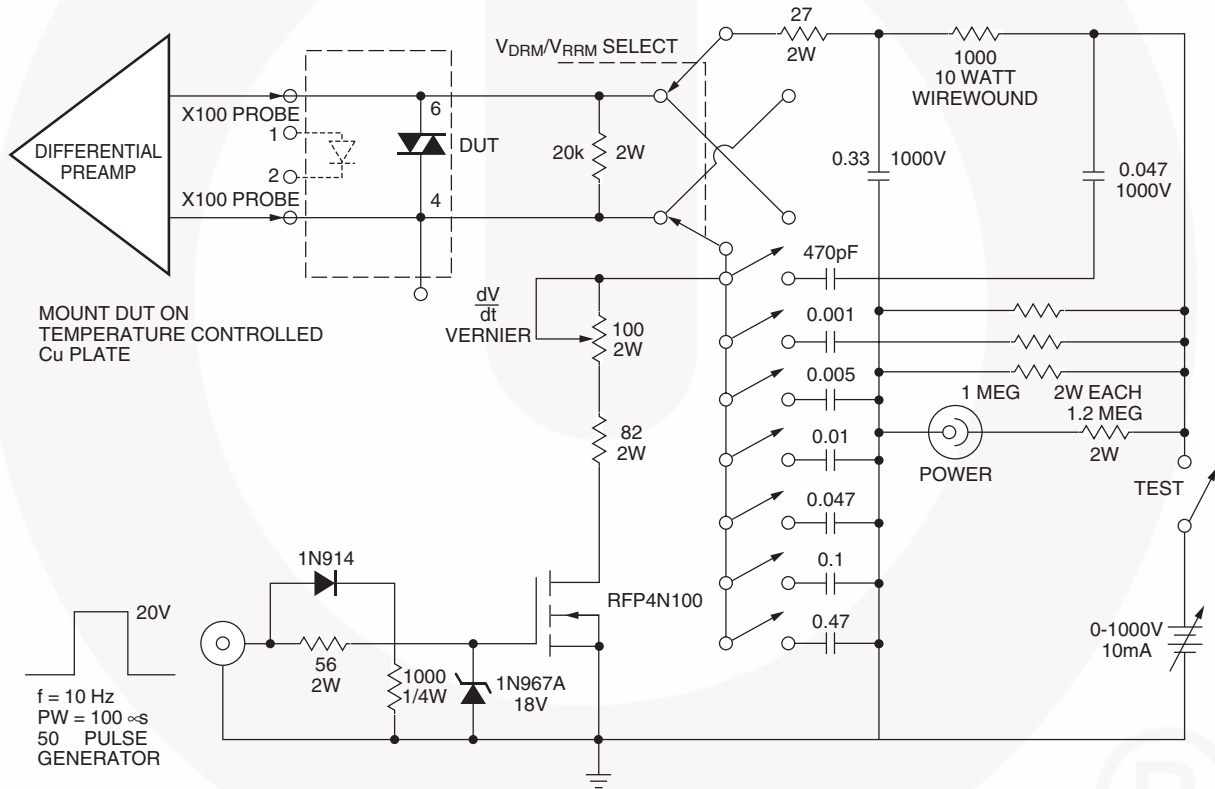
Figure 12. Current Reduction





NOTE: Circuit supplies 25mA drive to gate of triac at $V_{in} = 25V$ and $T_A < 70^\circ C$

| TRIAC | | |
|----------|-------|-----|
| I_{GT} | R_2 | C |
| 15 mA | 2400 | 0.1 |
| 30 mA | 1200 | 0.2 |
| 50 mA | 800 | 0.3 |



ALL COMPONENTS ARE NON-INDUCTIVE UNLESS SHOWN

Figure 11. Circuit for Static $\frac{dv}{dt}$ Measurement of Power Thyristors

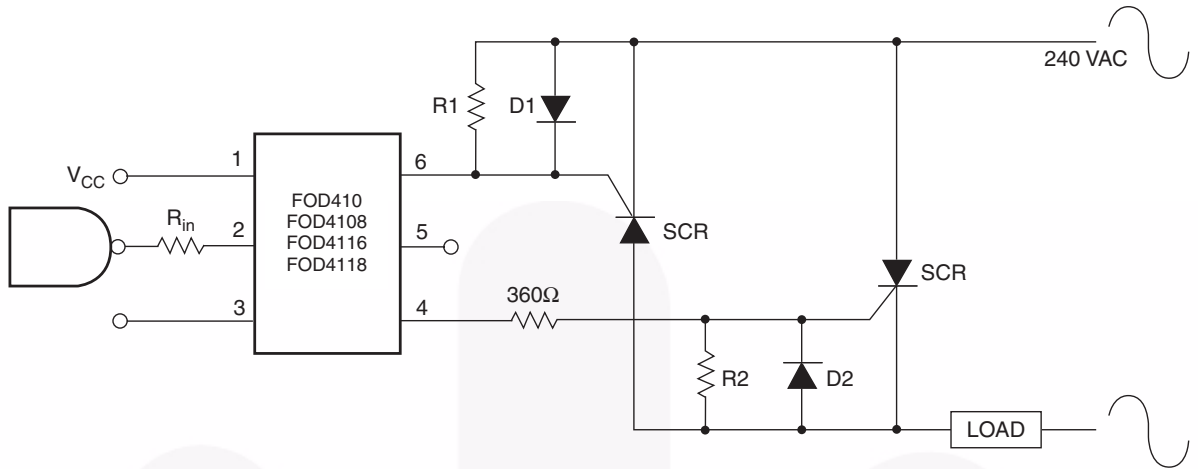


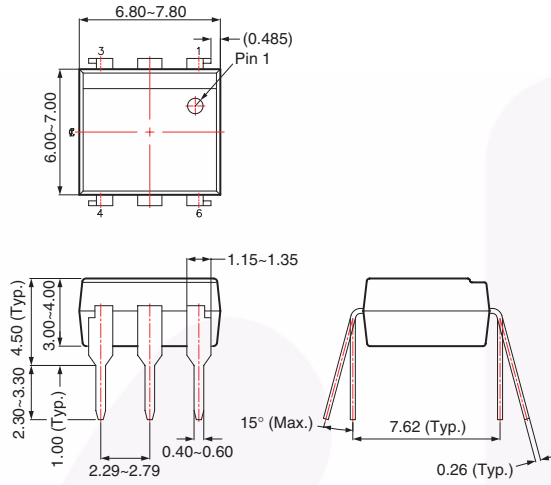
Figure 12. Inverse-Parallel SCR Driver Circuit

Suggested method of firing two, back-to-back SCR's with a Fairchild triac driver. Diodes can be 1N4001; resistors, R1 and R2, are optional 330Ω.

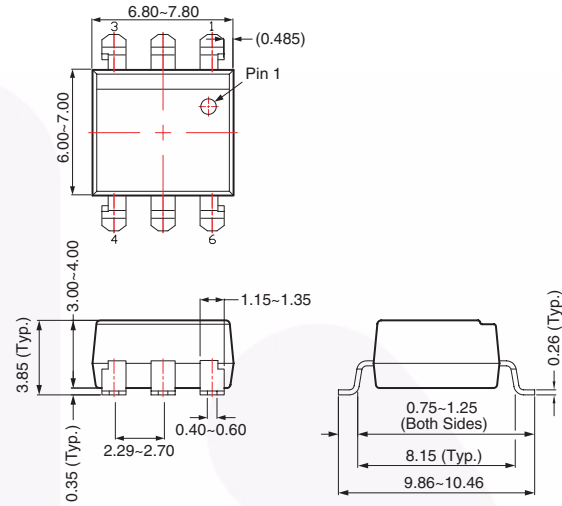
Note: This optoisolator should not be used to drive a load directly. It is intended to be a discrete triac driver device only.

Package Dimensions

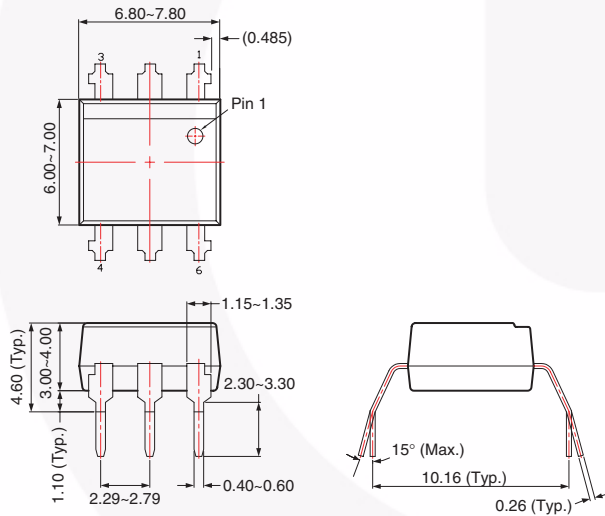
Through Hole



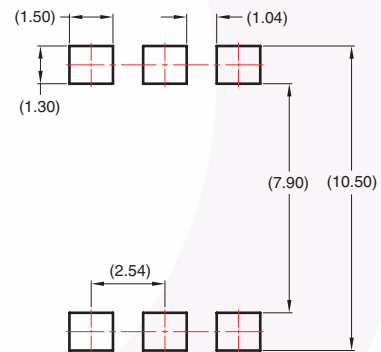
Surface Mount



0.4" Lead Spacing



Recommended Pad Layout for Surface Mount Leadforms



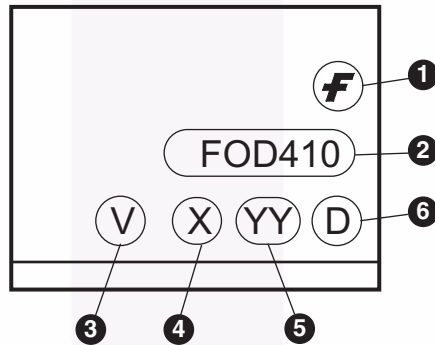
Note:

All dimensions are in millimeters.

Ordering Information

| Option | Order Entry Identifier (example) | Description |
|--------|----------------------------------|--|
| None | FOD410 | Standard Through Hole Device |
| S | FOD410S | Surface Mount Lead Bend |
| SD | FOD410SD | Surface Mount; Tape and reel |
| T | FOD410T | 0.4" Lead Spacing |
| V | FOD410V | IEC60747-5-2 certification |
| TV | FOD410TV | IEC60747-5-2 certification, 0.4" Lead Spacing |
| SV | FOD410SV | IEC60747-5-2 certification, Surface Mount |
| SDV | FOD410SDV | IEC60747-5-2 certification, Surface Mount, Tape & Reel |

Marking Information



| Definitions | |
|-------------|---|
| 1 | Fairchild logo |
| 2 | Device number |
| 3 | VDE mark indicates IEC60747-5-2 certified (Note: Only appears on parts ordered with VDE option – See order entry table) |
| 4 | One digit year code, e.g., '7' |
| 5 | Two digit work week ranging from '01' to '53' |
| 6 | Assembly package code |

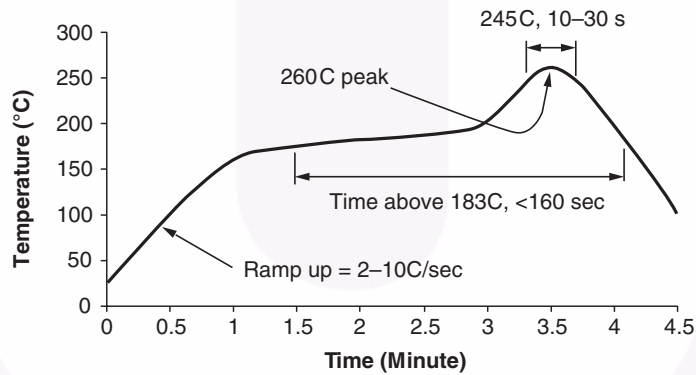
Carrier Tape Specifications



Note:

All dimensions are in inches (millimeters).

Reflow Profile






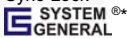


- Peak reflow temperature: 260C (package surface temperature)
- Time of temperature higher than 183C for 160 seconds or less
- One time soldering reflow is recommended



TRADEMARKS

The following includes registered and unregistered trademarks and service marks, owned by Fairchild Semiconductor and/or its global subsidiaries, and is not intended to be an exhaustive list of all such trademarks.

- | | | | |
|--|---|--|---|
| Auto-SPM™ | F-PFS™ | PowerTrench® | The Power Franchise® |
| Build it Now™ | FRFET® | PowerXS™ | the power ™ |
| CorePLUS™ | Global Power Resource SM | Programmable Active Droop™ | franchise |
| CorePOWER™ | Green FPS™ | QFET® | TinyBoost™ |
| CROSSVOL7™ | Green FPS™ e-Series™ | QS™ | TinyBuck™ |
| CTL™ | Gmax™ | Quiet Series™ | TinyLogic® |
| Current Transfer Logic™ | GTO™ | RapidConfigure™ | TINYOPTO™ |
| EcoSPARK® | IntelliMAX™ |  ™ | TinyPower™ |
| EfficientMax™ | ISOPLANAR™ | Saving our world, 1mW/W/kW at a time™ | TinyPWM™ |
| EZSWITCH™* | MegaBuck™ | SmartMax™ | TinyWire™ |
|  ™* | MICROCOUPLER™ | SMART START™ | TriFault Detect™ |
|  ™ | MicroFET™ | SPM® | TRUECURRENT™* |
| Fairchild® | MicroPak™ | STEALTH™ | μSerDes™ |
| Fairchild Semiconductor® | MillerDrive™ | SuperFET™ |  ™ |
| FACT Quiet Series™ | MotionMax™ | SuperSOT™-3 | UHC® |
| FACT® | Motion-SPM™ | SuperSOT™-6 | Ultra FRFET™ |
| FAST® | OPTOLOGIC® | SuperSOT™-8 | UniFET™ |
| FastvCore™ | OPTOPLANAR® | SupreMOS™ | VCX™ |
| FETBench™ |  ™ | SyncFET™ | VisualMax™ |
| FlashWriter®* | PDP SPM™ | Sync-Lock™ | XS™ |
| FPS™ | Power-SPM™ |  ™* | |

* Trademarks of System General Corporation, used under license by Fairchild Semiconductor.

DISCLAIMER

FAIRCHILD SEMICONDUCTOR RESERVES THE RIGHT TO MAKE CHANGES WITHOUT FURTHER NOTICE TO ANY PRODUCTS HEREIN TO IMPROVE RELIABILITY, FUNCTION, OR DESIGN. FAIRCHILD DOES NOT ASSUME ANY LIABILITY ARISING OUT OF THE APPLICATION OR USE OF ANY PRODUCT OR CIRCUIT DESCRIBED HEREIN; NEITHER DOES IT CONVEY ANY LICENSE UNDER ITS PATENT RIGHTS, NOR THE RIGHTS OF OTHERS. THESE SPECIFICATIONS DO NOT EXPAND THE TERMS OF FAIRCHILD'S WORLDWIDE TERMS AND CONDITIONS, SPECIFICALLY THE WARRANTY THEREIN, WHICH COVERS THESE PRODUCTS.

LIFE SUPPORT POLICY

FAIRCHILD'S PRODUCTS ARE NOT AUTHORIZED FOR USE AS CRITICAL COMPONENTS IN LIFE SUPPORT DEVICES OR SYSTEMS WITHOUT THE EXPRESS WRITTEN APPROVAL OF FAIRCHILD SEMICONDUCTOR CORPORATION.

As used herein:

- Life support devices or systems are devices or systems which, (a) are intended for surgical implant into the body or (b) support or sustain life, and (c) whose failure to perform when properly used in accordance with instructions for use provided in the labeling, can be reasonably expected to result in a significant injury of the user.
- A critical component in any component of a life support, device, or system whose failure to perform can be reasonably expected to cause the failure of the life support device or system, or to affect its safety or effectiveness.

ANTI-COUNTERFEITING POLICY

Fairchild Semiconductor Corporation's Anti-Counterfeiting Policy. Fairchild's Anti-Counterfeiting Policy is also stated on our external website, www.fairchildsemi.com, under Sales Support.

Counterfeiting of semiconductor parts is a growing problem in the industry. All manufacturers of semiconductor products are experiencing counterfeiting of their parts. Customers who inadvertently purchase counterfeit parts experience many problems such as loss of brand reputation, substandard performance, failed applications, and increased cost of production and manufacturing delays. Fairchild is taking strong measures to protect ourselves and our customers from the proliferation of counterfeit parts. Fairchild strongly encourages customers to purchase Fairchild parts either directly from Fairchild or from Authorized Fairchild Distributors who are listed by country on our web page cited above. Products customers buy either from Fairchild directly or from Authorized Fairchild Distributors are genuine parts, have full traceability, meet Fairchild's quality standards for handling and storage and provide access to Fairchild's full range of up-to-date technical and product information. Fairchild and our Authorized Distributors will stand behind all warranties and will appropriately address any warranty issues that may arise. Fairchild will not provide any warranty coverage or other assistance for parts bought from Unauthorized Sources. Fairchild is committed to combat this global problem and encourage our customers to do their part in stopping this practice by buying direct or from authorized distributors.

PRODUCT STATUS DEFINITIONS

Definition of Terms

| Datasheet Identification | Product Status | Definition |
|--------------------------|-----------------------|---|
| Advance Information | Formative / In Design | Datasheet contains the design specifications for product development. Specifications may change in any manner without notice. |
| Preliminary | First Production | Datasheet contains preliminary data; supplementary data will be published at a later date. Fairchild Semiconductor reserves the right to make changes at any time without notice to improve design. |
| No Identification Needed | Full Production | Datasheet contains final specifications. Fairchild Semiconductor reserves the right to make changes at any time without notice to improve the design. |
| Obsolete | Not In Production | Datasheet contains specifications on a product that is discontinued by Fairchild Semiconductor. The datasheet is for reference information only. |

Rev. 140



**Стандарт
Электрон
Связь**

Мы молодая и активно развивающаяся компания в области поставок электронных компонентов. Мы поставляем электронные компоненты отечественного и импортного производства напрямую от производителей и с крупнейших складов мира.

Благодаря сотрудничеству с мировыми поставщиками мы осуществляем комплексные и плановые поставки широчайшего спектра электронных компонентов.

Собственная эффективная логистика и склад в обеспечивает надежную поставку продукции в точно указанные сроки по всей России.

Мы осуществляем техническую поддержку нашим клиентам и предпродажную проверку качества продукции. На все поставляемые продукты мы предоставляем гарантию .

Осуществляем поставки продукции под контролем ВП МО РФ на предприятия военно-промышленного комплекса России , а также работаем в рамках 275 ФЗ с открытием отдельных счетов в уполномоченном банке. Система менеджмента качества компании соответствует требованиям ГОСТ ISO 9001.

Минимальные сроки поставки, гибкие цены, неограниченный ассортимент и индивидуальный подход к клиентам являются основой для выстраивания долгосрочного и эффективного сотрудничества с предприятиями радиоэлектронной промышленности, предприятиями ВПК и научно-исследовательскими институтами России.

С нами вы становитесь еще успешнее!

Наши контакты:

Телефон: +7 812 627 14 35

Электронная почта: sales@st-electron.ru

Адрес: 198099, Санкт-Петербург,
Промышленная ул, дом № 19, литера Н,
помещение 100-Н Офис 331