

# SN54LS112A, SN54S112, SN74LS112A, SN74S112A DUAL J-K NEGATIVE-EDGE-TRIGGERED FLIP-FLOPS WITH PRESET AND CLEAR

D2661, APRIL 1982—REVISED MARCH 1988

SDLS011

- Fully Buffered to Offer Maximum Isolation from External Disturbance
- Package Options Include Plastic "Small Outline" Packages, Ceramic Chip Carriers and Flat Packages, and Plastic and Ceramic DIPs
- Dependable Texas Instruments Quality and Reliability

## description

These devices contain two independent J-K negative-edge-triggered flip-flops. A low level at the preset and clear inputs sets or resets the outputs regardless of the levels of the other inputs. When preset and clear are inactive (high), data at the J and K inputs meeting the setup time requirements are transferred to the outputs on the negative-going edge of the clock pulse. Clock triggering occurs at a voltage level and is not directly related to the rise time of the clock pulse. Following the hold time interval, data at the J and K inputs may be changed without affecting the levels at the outputs. These versatile flip-flops can perform as toggle flip-flops by tying J and K high.

The SN54LS112A and SN54S112 are characterized for operation over the full military temperature range of  $-55^{\circ}\text{C}$  to  $125^{\circ}\text{C}$ . The SN74LS112A and SN74S112A are characterized for operation from  $0^{\circ}\text{C}$  to  $70^{\circ}\text{C}$ .

FUNCTION TABLE (each flip-flop)

| INPUTS |     |     |   |   | OUTPUTS        |                |
|--------|-----|-----|---|---|----------------|----------------|
| PRE    | CLR | CLK | J | K | Q              | $\bar{Q}$      |
| L      | H   | X   | X | X | H              | L              |
| H      | L   | X   | X | X | L              | H              |
| L      | L   | X   | X | X | H <sup>†</sup> | H <sup>†</sup> |
| H      | H   | ↓   | L | L | Q <sub>0</sub> | $\bar{Q}_0$    |
| H      | H   | ↓   | H | L | H              | L              |
| H      | H   | ↓   | L | H | L              | H              |
| H      | H   | ↓   | H | H | TOGGLE         |                |
| H      | H   | H   | X | X | Q <sub>0</sub> | $\bar{Q}_0$    |

<sup>†</sup> The output levels in this configuration are not guaranteed to meet the minimum levels for  $V_{OH}$  if the lows at preset and clear are near  $V_{IL}$  minimum. Furthermore, this configuration is nonstable; that is, it will not persist when either preset or clear returns to its inactive (high) level.

SN54LS112A, SN54S112 . . . J OR W PACKAGE  
SN74LS112A, SN74S112A . . . D OR N PACKAGE

(TOP VIEW)



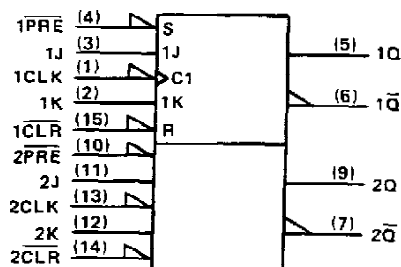
SN54LS112A, SN54S112 . . . FK PACKAGE

(TOP VIEW)



NC—No internal connection

## logic symbol<sup>†</sup>



<sup>†</sup>This symbol is in accordance with ANSI/IEEE Std 91-1984 and IEC Publication 617-12.

Pin numbers shown are for D, J, N, and W packages.

PRODUCTION DATA documents contain information current as of publication date. Products conform to specifications per the terms of Texas Instruments standard warranty. Production processing does not necessarily include testing of all parameters.

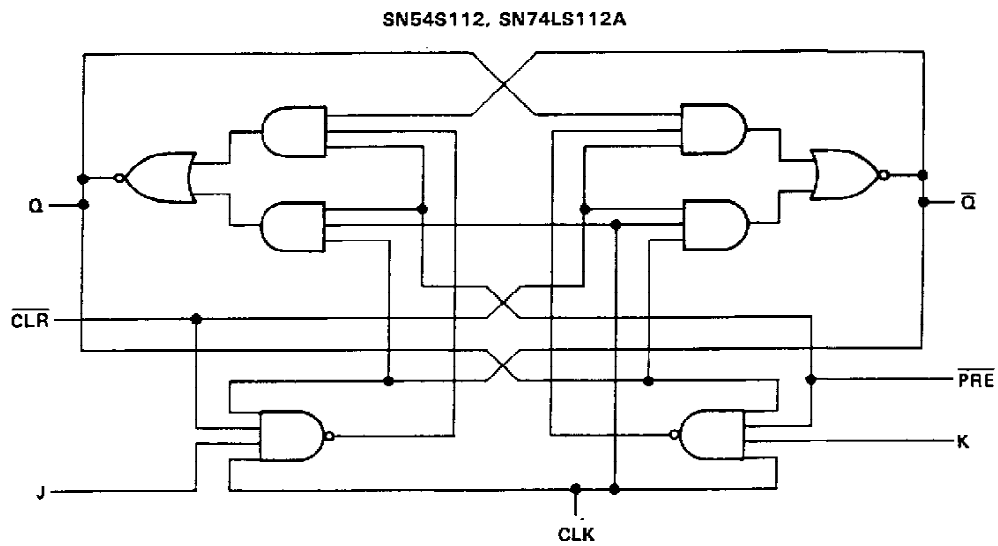
TEXAS  
INSTRUMENTS

POST OFFICE BOX 655012 • DALLAS, TEXAS 75265

Copyright © 1982, Texas Instruments Incorporated

**SN54LS112A, SN54S112, SN74LS112A, SN74S112A**  
**DUAL J-K NEGATIVE-EDGE-TRIGGERED**  
**FLIP-FLOPS WITH PRESET AND CLEAR**

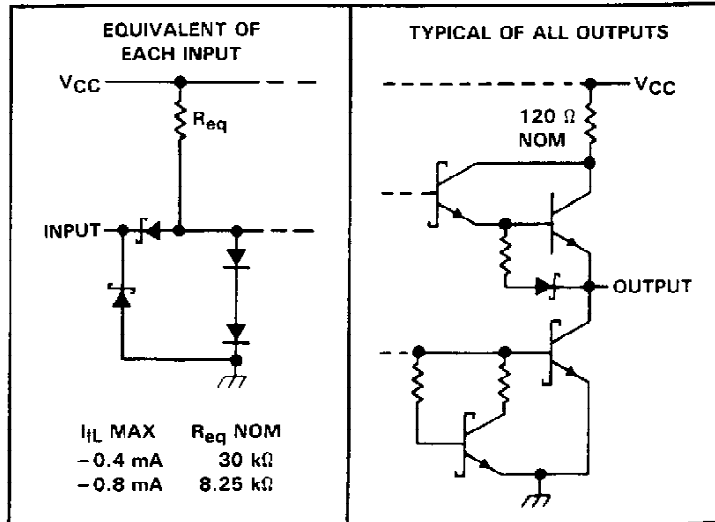
logic diagrams (positive logic)



**SN54LS112A, SN54S112, SN74LS112A, SN74S112A**  
**DUAL J-K NEGATIVE-EDGE-TRIGGERED**  
**FLIP-FLOPS WITH PRESET AND CLEAR**

schematics of inputs and outputs

'LS112A



SN54S112, SN74S112A



absolute maximum ratings over operating free-air temperature range (unless otherwise noted)

|   |                  |
|---|------------------|
| Supply voltage, $V_{CC}$ (see Note 1) .....       | 7 V              |
| Input voltage: 'LS112A .....                      | 7 V              |
| SN54LS112, SN74LS112A .....                       | 5.5 V            |
| Operating free-air temperature range: SN54' ..... | -55 °C to 125 °C |
| SN74' .....                                       | 0 °C to 70 °C    |
| Storage temperature range .....                   | -65 °C to 150 °C |

NOTE 1: Voltage values are with respect to network ground terminal.

  
**TEXAS**  
**INSTRUMENTS**

POST OFFICE BOX 655012 • DALLAS, TEXAS 75265

# SN54LS112A, SN74LS112A

## DUAL J-K NEGATIVE-EDGE-TRIGGERED FLIP-FLOPS WITH PRESET AND CLEAR

### recommended operating conditions

|             |                                | SN54LS112A       |     |      | SN74LS112A |     |      | UNIT |
|-------------|--------------------------------|------------------|-----|------|------------|-----|------|------|
|             |                                | MIN              | NOM | MAX  | MIN        | NOM | MAX  |      |
| $V_{CC}$    | Supply voltage                 | 4.5              | 5   | 5.5  | 4.75       | 5   | 5.25 | V    |
| $V_{IH}$    | High-level input voltage       | 2                |     |      | 2          |     |      | V    |
| $V_{IL}$    | Low-level input voltage        |                  |     | 0.7  |            |     | 0.8  | V    |
| $I_{OH}$    | High-level output current      |                  |     | -0.4 |            |     | -0.4 | mA   |
| $I_{OL}$    | Low-level output current       |                  |     | 4    |            |     | 8    | mA   |
| $f_{clock}$ | Clock frequency                | 0                |     | 30   | 0          |     | 30   | MHz  |
| $t_w$       | Pulse duration                 | CLK high         |     | 20   |            |     | 20   | ns   |
|             |                                | PRE or CLR low   |     | 25   |            |     | 25   |      |
| $t_{su}$    | Set up time-before CLK↓        | Data high or low |     | 20   |            |     | 20   | ns   |
|             |                                | CLR inactive     |     | 25   |            |     | 25   |      |
|             |                                | PRE inactive     |     | 20   |            |     | 20   |      |
| $t_h$       | Hold time-data after CLK↓      | 0                |     |      | 0          |     |      | ns   |
| $T_A$       | Operating free-air temperature | -55              |     | 125  | 0          |     | 70   | °C   |

### electrical characteristics over recommended operating free-air temperature range (unless otherwise noted)

| PARAMETER        |            | TEST CONDITIONS†        |   | SN54LS112A |      | SN74LS112A |      | UNIT          |
|------------------|------------|-------------------------|---|------------|------|------------|------|---------------|
|                  |            |                         |   | MIN        | TYP‡ | MAX        | MIN  |               |
| $V_{IK}$         |            | $V_{CC} = \text{MIN}$ , | $I_I = -18 \text{ mA}$                              |            |      | -1.5       | -1.5 | V             |
| $V_{OH}$         |            | $V_{CC} = \text{MIN}$ , | $V_{IH} = 2 \text{ V}$ ,<br>$V_{IL} = \text{MAX}$ , | 2.5        | 3.4  |            |      | V             |
| $V_{OL}$         |            | $V_{CC} = \text{MIN}$ , | $V_{IL} = \text{MAX}$ ,<br>$V_{IH} = 2 \text{ V}$ , | 0.25       | 0.4  |            |      | V             |
|                  |            | $V_{CC} = \text{MIN}$ , | $V_{IL} = \text{MAX}$ ,<br>$V_{IH} = 2 \text{ V}$ , |            |      |            | 0.35 |               |
| $I_I$            | J or K     | $V_{CC} = \text{MAX}$ , | $V_I = 7 \text{ V}$                                 |            |      | 0.1        | 0.1  | mA            |
|                  | CLR or PRE |                         |   |            |      | 0.3        | 0.3  |               |
|                  | CLK        |                         |   |            |      | 0.4        | 0.4  |               |
| $I_{IH}$         | J or K     | $V_{CC} = \text{MAX}$ , | $V_I = 2.7 \text{ V}$                               |            |      | 20         | 20   | $\mu\text{A}$ |
|                  | CLR or PRE |                         |   |            |      | 60         | 60   |               |
|                  | CLK        |                         |   |            |      | 80         | 80   |               |
| $I_{IL}$         | J or K     | $V_{CC} = \text{MAX}$ , | $V_I = 0.4 \text{ V}$                               |            |      | -0.4       | -0.4 | mA            |
|                  | All other  |                         |   |            |      | -0.8       | -0.8 |               |
| $I_{OS}^{\S}$    |            | $V_{CC} = \text{MAX}$ , | see Note 2  | -20        | -100 | -20        | -100 | mA            |
| $I_{CC}$ (Total) |            | $V_{CC} = \text{MAX}$ , | see Note 3  | 4          | 6    | 4          | 6    | mA            |

† For conditions shown as MIN or MAX, use the appropriate value specified under recommended operating conditions.

‡ All typical values are at  $V_{CC} = 5 \text{ V}$ ,  $T_A = 25^\circ\text{C}$ .

§ Not more than one output should be shorted at a time, and the duration of the short-circuit should not exceed one second.

NOTES: 2. For certain devices where state commutation can be caused by shorting an output to ground, an equivalent test may be performed with  $V_O = 2.25 \text{ V}$  and  $2.125 \text{ V}$  for the '54 family and the '74 family, respectively, with the minimum and maximum limits reduced to one half of their stated values.

3. With all outputs open,  $I_{CC}$  is measured with the Q and  $\bar{Q}$  outputs high in turn. At the time of measurement, the clock input is grounded.

TEXAS  
INSTRUMENTS

POST OFFICE BOX 655012 • DALLAS, TEXAS 75265

**SN54LS112A, SN74LS112A**  
**DUAL J-K NEGATIVE-EDGE-TRIGGERED**  
**FLIP-FLOPS WITH PRESET AND CLEAR**

switching characteristics,  $V_{CC} = 5\text{ V}$ ,  $T_A = 25^\circ\text{C}$  (see Note 4)

| PARAMETER  | FROM<br>(INPUT)  | TO<br>(OUTPUT)             | TEST CONDITIONS                                 | MIN | TYP | MAX | UNIT |    |
|------------|--|----------------------------|---|-----|-----|-----|------|----|
| $f_{\max}$ |  |                            | $R_L = 2\text{ k}\Omega$ , $C_L = 15\text{ pF}$ | 30  | 45  |     | MHz  |    |
| $t_{PLH}$  | $\overline{\text{CLR}}$ , $\overline{\text{PRE}}$ or CLK | Q or $\overline{\text{Q}}$ |   |     | 15  | 20  |      | ns |
| $t_{PHL}$  |  |                            |   |     | 15  | 20  |      | ns |

NOTE 4: Load circuits and voltage waveforms are shown in Section 1.

**TEXAS**   
**INSTRUMENTS**

POST OFFICE BOX 655012 • DALLAS, TEXAS 75265

**SN54S112, SN74S112A**  
**DUAL J-K NEGATIVE-EDGE-TRIGGERED**  
**FLIP-FLOPS WITH PRESET AND CLEAR**

**recommended operating conditions**

|                 |                                | SN54S112         |     |     | SN74S112A |     |      | UNIT |
|-----------------|--------------------------------|------------------|-----|-----|-----------|-----|------|------|
|                 |                                | MIN              | NOM | MAX | MIN       | NOM | MAX  |      |
| V <sub>CC</sub> | Supply voltage                 | 4.5              | 5   | 5.5 | 4.75      | 5   | 5.25 | V    |
| V <sub>IH</sub> | High-level input voltage       | 2                |     |     | 2         |     |      | V    |
| V <sub>IL</sub> | Low-level input voltage        |                  |     |     | 0.8       |     |      | V    |
| I <sub>OH</sub> | High-level output current      |                  |     |     | -1        |     |      | mA   |
| I <sub>OL</sub> | Low-level output current       |                  |     |     | 20        |     |      | mA   |
| t <sub>w</sub>  | Pulse duration                 | CLK high         |     | 6   | 6         |     | ns   |      |
|                 |                                | CLK low          |     | 6.5 | 6.5       |     |      |      |
|                 |                                | PRE or CLR low   |     | 8   | 8         |     |      |      |
| t <sub>su</sub> | Set up time-before CLK↓        | Data high or low |     | 7   | 7         |     | ns   |      |
| t <sub>h</sub>  | Hold time-data after CLK↓      | 0                |     |     | 0         |     |      | ns   |
| T <sub>A</sub>  | Operating free-air temperature | -55              |     | 125 | 0         |     | 70   | °C   |

**electrical characteristics over recommended operating free-air temperature range (unless otherwise noted)**

| PARAMETER         |           | TEST CONDITIONS†  |  | SN54S112 |      |     | SN74S112A |      |     | UNIT |
|-------------------|-----------|---|--|----------|------|-----|-----------|------|-----|------|
|                   |           |   |  | MIN      | TYP‡ | MAX | MIN       | TYP‡ | MAX |      |
| V <sub>IK</sub>   |           | V <sub>CC</sub> = MIN, I <sub>I</sub> = -18 mA  |  | -1.2     |      |     | -1.2      |      |     | V    |
| V <sub>OH</sub>   |           | V <sub>CC</sub> = MIN, I <sub>OH</sub> = -1 mA, V <sub>IH</sub> = 2 V, V <sub>IL</sub> = MAX,   |  | 2.5      | 3.4  |     | 2.7       | 3.4  |     | V    |
| V <sub>OL</sub>   |           | V <sub>CC</sub> = MIN, I <sub>OL</sub> = 20 mA, V <sub>IH</sub> = 2 V, V <sub>IL</sub> = 0.8 V, |  | 0.5      |      |     | 0.5       |      |     | V    |
| I <sub>I</sub>    |           | V <sub>CC</sub> = MAX, V <sub>I</sub> = 5.5 V   |  | 1        |      |     | 1         |      |     | mA   |
| I <sub>IH</sub>   | J or K    | V <sub>CC</sub> = MAX, V <sub>I</sub> = 2.7 V   |  | 50       |      |     | 50        |      |     | μA   |
|                   | All other |   |  | 100      |      |     | 100       |      |     |      |
| I <sub>IL</sub>   | J or K    | V <sub>CC</sub> = MAX, V <sub>I</sub> = 0.5 V   |  | -1.6     |      |     | -1.6      |      |     | mA   |
|                   | CLR‡      |   |  | -7       |      |     | -7        |      |     |      |
|                   | PRE‡      |   |  | -7       |      |     | -7        |      |     |      |
|                   | CLK       |   |  | -4       |      |     | -4        |      |     |      |
| I <sub>OS</sub> † |           | V <sub>CC</sub> = MAX   |  | -40      | -100 |     | -40       | -100 | mA  |      |
| I <sub>CC</sub> # |           | V <sub>CC</sub> = MAX, see Note 3   |  | 15       | 25   |     | 15        | 25   | mA  |      |

† For conditions shown as MIN or MAX, use the appropriate value specified under recommended operating conditions.

‡ All typical values are at V<sub>CC</sub> = 5 V, T<sub>A</sub> = 25°C.

§ Clear is tested with preset high and preset is tested with clear high.

¶ Not more than one output should be shorted at a time, and the duration of the short-circuit should not exceed one second.

# Values are average per flip-flop.

NOTE 3: With all outputs open, I<sub>CC</sub> is measured with the Q and  $\bar{Q}$  outputs high in turn. At the time of measurement, the clock input is grounded.



**SN54S112, SN74S112A**  
**DUAL J-K NEGATIVE-EDGE-TRIGGERED**  
**FLIP-FLOPS WITH PRESET AND CLEAR**

switching characteristics,  $V_{CC} = 5\text{ V}$ ,  $T_A = 25^\circ\text{C}$  (see Note 4)

| PARAMETER | FROM<br>(INPUT)   | TO<br>(OUTPUT)        | TEST CONDITIONS                                | MIN | TYP | MAX | UNIT |
|-----------|---|-----------------------|--|-----|-----|-----|------|
| $f_{max}$ |   |                       | $R_L = 280\ \Omega, \quad C_L = 15\ \text{pF}$ | 80  | 125 |     | MHz  |
| $t_{PLH}$ | $\overline{\text{PRE}}$ or $\overline{\text{CLR}}$            | $Q$ or $\overline{Q}$ |  |     | 4   | 7   | ns   |
| $t_{PHL}$ | $\overline{\text{PRE}}$ or $\overline{\text{CLR}}$ (CLK high) | $\overline{Q}$ or $Q$ |  |     | 5   | 7   | ns   |
|           | $\overline{\text{PRE}}$ or $\overline{\text{CLR}}$ (CLK low)  |                       |  |     | 5   | 7   |      |
| $t_{PLH}$ | CLK   | $Q$ or $\overline{Q}$ |  |     | 4   | 7   | ns   |
| $t_{PHL}$ |   |                       |  |     | 5   | 7   | ns   |

NOTE 4: Load circuits and voltage waveforms are shown in Section 1.

**PACKAGING INFORMATION**

| Orderable Device | Status <sup>(1)</sup> | Package Type | Package Drawing | Pins | Package Qty | Eco Plan <sup>(2)</sup>    | Lead/<br>Ball Finish | MSL Peak Temp <sup>(3)</sup> | Samples<br>(Requires Login) |
|------------------|-----------------------|--------------|-----------------|------|-------------|----------------------------|----------------------|------------------------------|-----------------------------|
| JM38510/07102BEA | ACTIVE                | CDIP         | J               | 16   | 1           | TBD                        | A42                  | N / A for Pkg Type           |                             |
| JM38510/07102BFA | ACTIVE                | CFP          | W               | 16   | 1           | TBD                        | A42                  | N / A for Pkg Type           |                             |
| JM38510/30103B2A | ACTIVE                | LCCC         | FK              | 20   | 1           | TBD                        | POST-PLATE           | N / A for Pkg Type           |                             |
| JM38510/30103BEA | ACTIVE                | CDIP         | J               | 16   | 1           | TBD                        | A42                  | N / A for Pkg Type           |                             |
| JM38510/30103BFA | ACTIVE                | CFP          | W               | 16   | 1           | TBD                        | A42                  | N / A for Pkg Type           |                             |
| M38510/07102BEA  | ACTIVE                | CDIP         | J               | 16   | 1           | TBD                        | A42                  | N / A for Pkg Type           |                             |
| M38510/07102BFA  | ACTIVE                | CFP          | W               | 16   | 1           | TBD                        | A42                  | N / A for Pkg Type           |                             |
| M38510/30103B2A  | ACTIVE                | LCCC         | FK              | 20   | 1           | TBD                        | POST-PLATE           | N / A for Pkg Type           |                             |
| M38510/30103BEA  | ACTIVE                | CDIP         | J               | 16   | 1           | TBD                        | A42                  | N / A for Pkg Type           |                             |
| M38510/30103BFA  | ACTIVE                | CFP          | W               | 16   | 1           | TBD                        | A42                  | N / A for Pkg Type           |                             |
| SN54LS112AJ      | ACTIVE                | CDIP         | J               | 16   | 1           | TBD                        | A42                  | N / A for Pkg Type           |                             |
| SN54S112J        | ACTIVE                | CDIP         | J               | 16   | 1           | TBD                        | A42                  | N / A for Pkg Type           |                             |
| SN74LS112AD      | ACTIVE                | SOIC         | D               | 16   | 40          | Green (RoHS<br>& no Sb/Br) | CU NIPDAU            | Level-1-260C-UNLIM           |                             |
| SN74LS112ADE4    | ACTIVE                | SOIC         | D               | 16   | 40          | Green (RoHS<br>& no Sb/Br) | CU NIPDAU            | Level-1-260C-UNLIM           |                             |
| SN74LS112ADG4    | ACTIVE                | SOIC         | D               | 16   | 40          | Green (RoHS<br>& no Sb/Br) | CU NIPDAU            | Level-1-260C-UNLIM           |                             |
| SN74LS112ADR     | ACTIVE                | SOIC         | D               | 16   | 2500        | Green (RoHS<br>& no Sb/Br) | CU NIPDAU            | Level-1-260C-UNLIM           |                             |
| SN74LS112ADRE4   | ACTIVE                | SOIC         | D               | 16   | 2500        | Green (RoHS<br>& no Sb/Br) | CU NIPDAU            | Level-1-260C-UNLIM           |                             |
| SN74LS112ADRG4   | ACTIVE                | SOIC         | D               | 16   | 2500        | Green (RoHS<br>& no Sb/Br) | CU NIPDAU            | Level-1-260C-UNLIM           |                             |
| SN74LS112AN      | ACTIVE                | PDIP         | N               | 16   | 25          | Pb-Free (RoHS)             | CU NIPDAU            | N / A for Pkg Type           |                             |
| SN74LS112AN3     | OBSOLETE              | PDIP         | N               | 16   |             | TBD                        | Call TI              | Call TI                      |                             |
| SN74LS112ANE4    | ACTIVE                | PDIP         | N               | 16   | 25          | Pb-Free (RoHS)             | CU NIPDAU            | N / A for Pkg Type           |                             |
| SN74LS112ANSR    | ACTIVE                | SO           | NS              | 16   | 2000        | Green (RoHS<br>& no Sb/Br) | CU NIPDAU            | Level-1-260C-UNLIM           |                             |
| SN74LS112ANSRE4  | ACTIVE                | SO           | NS              | 16   | 2000        | Green (RoHS<br>& no Sb/Br) | CU NIPDAU            | Level-1-260C-UNLIM           |                             |



| Orderable Device | Status <sup>(1)</sup> | Package Type | Package Drawing | Pins | Package Qty | Eco Plan <sup>(2)</sup> | Lead/<br>Ball Finish | MSL Peak Temp <sup>(3)</sup> | Samples<br>(Requires Login) |
|------------------|-----------------------|--------------|-----------------|------|-------------|-------------------------|----------------------|------------------------------|-----------------------------|
| SN74LS112ANSRG4  | ACTIVE                | SO           | NS              | 16   | 2000        | Green (RoHS & no Sb/Br) | CU NIPDAU            | Level-1-260C-UNLIM           |                             |
| SN74S112AD       | OBSOLETE              | SOIC         | D               | 16   |             | TBD                     | Call TI              | Call TI                      |                             |
| SN74S112AN       | ACTIVE                | PDIP         | N               | 16   | 25          | Pb-Free (RoHS)          | CU NIPDAU            | N / A for Pkg Type           |                             |
| SN74S112AN3      | OBSOLETE              | PDIP         | N               | 16   |             | TBD                     | Call TI              | Call TI                      |                             |
| SN74S112ANE4     | ACTIVE                | PDIP         | N               | 16   | 25          | Pb-Free (RoHS)          | CU NIPDAU            | N / A for Pkg Type           |                             |
| SNJ54LS112AFK    | ACTIVE                | LCCC         | FK              | 20   | 1           | TBD                     | POST-PLATE           | N / A for Pkg Type           |                             |
| SNJ54LS112AJ     | ACTIVE                | CDIP         | J               | 16   | 1           | TBD                     | A42                  | N / A for Pkg Type           |                             |
| SNJ54LS112AW     | ACTIVE                | CFP          | W               | 16   | 1           | TBD                     | A42                  | N / A for Pkg Type           |                             |
| SNJ54S112FK      | ACTIVE                | LCCC         | FK              | 20   | 1           | TBD                     | POST-PLATE           | N / A for Pkg Type           |                             |
| SNJ54S112J       | ACTIVE                | CDIP         | J               | 16   | 1           | TBD                     | A42                  | N / A for Pkg Type           |                             |
| SNJ54S112W       | ACTIVE                | CFP          | W               | 16   | 1           | TBD                     | A42                  | N / A for Pkg Type           |                             |

<sup>(1)</sup> The marketing status values are defined as follows:

**ACTIVE:** Product device recommended for new designs.

**LIFEBUY:** TI has announced that the device will be discontinued, and a lifetime-buy period is in effect.

**NRND:** Not recommended for new designs. Device is in production to support existing customers, but TI does not recommend using this part in a new design.

**PREVIEW:** Device has been announced but is not in production. Samples may or may not be available.

**OBSOLETE:** TI has discontinued the production of the device.

<sup>(2)</sup> Eco Plan - The planned eco-friendly classification: Pb-Free (RoHS), Pb-Free (RoHS Exempt), or Green (RoHS & no Sb/Br) - please check <http://www.ti.com/productcontent> for the latest availability information and additional product content details.

**TBD:** The Pb-Free/Green conversion plan has not been defined.

**Pb-Free (RoHS):** TI's terms "Lead-Free" or "Pb-Free" mean semiconductor products that are compatible with the current RoHS requirements for all 6 substances, including the requirement that lead not exceed 0.1% by weight in homogeneous materials. Where designed to be soldered at high temperatures, TI Pb-Free products are suitable for use in specified lead-free processes.

**Pb-Free (RoHS Exempt):** This component has a RoHS exemption for either 1) lead-based flip-chip solder bumps used between the die and package, or 2) lead-based die adhesive used between the die and leadframe. The component is otherwise considered Pb-Free (RoHS compatible) as defined above.

**Green (RoHS & no Sb/Br):** TI defines "Green" to mean Pb-Free (RoHS compatible), and free of Bromine (Br) and Antimony (Sb) based flame retardants (Br or Sb do not exceed 0.1% by weight in homogeneous material)

<sup>(3)</sup> MSL, Peak Temp. -- The Moisture Sensitivity Level rating according to the JEDEC industry standard classifications, and peak solder temperature.

**Important Information and Disclaimer:** The information provided on this page represents TI's knowledge and belief as of the date that it is provided. TI bases its knowledge and belief on information provided by third parties, and makes no representation or warranty as to the accuracy of such information. Efforts are underway to better integrate information from third parties. TI has taken and continues to take reasonable steps to provide representative and accurate information but may not have conducted destructive testing or chemical analysis on incoming materials and chemicals. TI and TI suppliers consider certain information to be proprietary, and thus CAS numbers and other limited information may not be available for release.

In no event shall TI's liability arising out of such information exceed the total purchase price of the TI part(s) at issue in this document sold by TI to Customer on an annual basis.

**OTHER QUALIFIED VERSIONS OF SN54LS112A, SN74LS112A :**

- Catalog: [SN74LS112A](#)
- Military: [SN54LS112A](#)

NOTE: Qualified Version Definitions:

- Catalog - TI's standard catalog product
- Military - QML certified for Military and Defense Applications

**TAPE AND REEL INFORMATION**

**REEL DIMENSIONS**



**TAPE DIMENSIONS**



|    |   |
|----|---|
| A0 | Dimension designed to accommodate the component width     |
| B0 | Dimension designed to accommodate the component length    |
| K0 | Dimension designed to accommodate the component thickness |
| W  | Overall width of the carrier tape                         |
| P1 | Pitch between successive cavity centers                   |

**TAPE AND REEL INFORMATION**

\*All dimensions are nominal

| Device        | Package Type | Package Drawing | Pins | SPQ  | Reel Diameter (mm) | Reel Width W1 (mm) | A0 (mm) | B0 (mm) | K0 (mm) | P1 (mm) | W (mm) | Pin1 Quadrant |
|---------------|--------------|-----------------|------|------|--------------------|--------------------|---------|---------|---------|---------|--------|---------------|
| SN74LS112ADR  | SOIC         | D               | 16   | 2500 | 330.0              | 16.4               | 6.5     | 10.3    | 2.1     | 8.0     | 16.0   | Q1            |
| SN74LS112ANSR | SO           | NS              | 16   | 2000 | 330.0              | 16.4               | 8.2     | 10.5    | 2.5     | 12.0    | 16.0   | Q1            |

**TAPE AND REEL BOX DIMENSIONS**


\*All dimensions are nominal

| Device        | Package Type | Package Drawing | Pins | SPQ  | Length (mm) | Width (mm) | Height (mm) |
|---------------|--------------|-----------------|------|------|-------------|------------|-------------|
| SN74LS112ADR  | SOIC         | D               | 16   | 2500 | 333.2       | 345.9      | 28.6        |
| SN74LS112ANSR | SO           | NS              | 16   | 2000 | 367.0       | 367.0      | 38.0        |

J (R-GDIP-T\*\*)

14 LEADS SHOWN

CERAMIC DUAL IN-LINE PACKAGE



| DIM \ PINS ** | 14                     | 16                     | 18                     | 20                     |
|---------------|------------------------|------------------------|------------------------|------------------------|
| A             | 0.300<br>(7,62)<br>BSC | 0.300<br>(7,62)<br>BSC | 0.300<br>(7,62)<br>BSC | 0.300<br>(7,62)<br>BSC |
| B MAX         | 0.785<br>(19,94)       | .840<br>(21,34)        | 0.960<br>(24,38)       | 1.060<br>(26,92)       |
| B MIN         | —                      | —                      | —                      | —                      |
| C MAX         | 0.300<br>(7,62)        | 0.300<br>(7,62)        | 0.310<br>(7,87)        | 0.300<br>(7,62)        |
| C MIN         | 0.245<br>(6,22)        | 0.245<br>(6,22)        | 0.220<br>(5,59)        | 0.245<br>(6,22)        |



4040083/F 03/03

- NOTES:
- All linear dimensions are in inches (millimeters).
  - This drawing is subject to change without notice.
  - This package is hermetically sealed with a ceramic lid using glass frit.
  - Index point is provided on cap for terminal identification only on press ceramic glass frit seal only.
  - Falls within MIL STD 1835 GDIP1-T14, GDIP1-T16, GDIP1-T18 and GDIP1-T20.

W (R-GDFP-F16)

CERAMIC DUAL FLATPACK



4040180-3/D 07/03

- NOTES:
- A. All linear dimensions are in inches (millimeters).
  - B. This drawing is subject to change without notice.
  - C. This package can be hermetically sealed with a ceramic lid using glass frit.
  - D. Index point is provided on cap for terminal identification only.
  - E. Falls within MIL STD 1835 GDFP1-F16 and JEDEC MO-092AC

FK (S-CQCC-N\*\*)

LEADLESS CERAMIC CHIP CARRIER

28 TERMINAL SHOWN



| NO. OF TERMINALS ** | A                |                  | B                |                  |
|---------------------|------------------|------------------|------------------|------------------|
|                     | MIN              | MAX              | MIN              | MAX              |
| 20                  | 0.342<br>(8,69)  | 0.358<br>(9,09)  | 0.307<br>(7,80)  | 0.358<br>(9,09)  |
| 28                  | 0.442<br>(11,23) | 0.458<br>(11,63) | 0.406<br>(10,31) | 0.458<br>(11,63) |
| 44                  | 0.640<br>(16,26) | 0.660<br>(16,76) | 0.495<br>(12,58) | 0.560<br>(14,22) |
| 52                  | 0.740<br>(18,78) | 0.761<br>(19,32) | 0.495<br>(12,58) | 0.560<br>(14,22) |
| 68                  | 0.938<br>(23,83) | 0.962<br>(24,43) | 0.850<br>(21,6)  | 0.858<br>(21,8)  |
| 84                  | 1.141<br>(28,99) | 1.165<br>(29,59) | 1.047<br>(26,6)  | 1.063<br>(27,0)  |



4040140/D 01/11

- NOTES:
- All linear dimensions are in inches (millimeters).
  - This drawing is subject to change without notice.
  - This package can be hermetically sealed with a metal lid.
  - Falls within JEDEC MS-004

N (R-PDIP-T\*\*)

PLASTIC DUAL-IN-LINE PACKAGE

16 PINS SHOWN



- NOTES:
- A. All linear dimensions are in inches (millimeters).
  - B. This drawing is subject to change without notice.
  - C Falls within JEDEC MS-001, except 18 and 20 pin minimum body length (Dim A).
  - D The 20 pin end lead shoulder width is a vendor option, either half or full width.

4040049/E 12/2002



D (R-PDSO-G16)

PLASTIC SMALL OUTLINE



- NOTES:
- A. All linear dimensions are in inches (millimeters).
  - B. This drawing is subject to change without notice.
  - C. Body length does not include mold flash, protrusions, or gate burrs. Mold flash, protrusions, or gate burrs shall not exceed 0.006 (0,15) each side.
  - D. Body width does not include interlead flash. Interlead flash shall not exceed 0.017 (0,43) each side.
  - E. Reference JEDEC MS-012 variation AC.

# MECHANICAL DATA

NS (R-PDSO-G\*\*)

PLASTIC SMALL-OUTLINE PACKAGE

14-PINS SHOWN



- NOTES:
- A. All linear dimensions are in millimeters.
  - B. This drawing is subject to change without notice.
  - C. Body dimensions do not include mold flash or protrusion, not to exceed 0,15.

## IMPORTANT NOTICE

Texas Instruments Incorporated and its subsidiaries (TI) reserve the right to make corrections, enhancements, improvements and other changes to its semiconductor products and services per JESD46C and to discontinue any product or service per JESD48B. Buyers should obtain the latest relevant information before placing orders and should verify that such information is current and complete. All semiconductor products (also referred to herein as "components") are sold subject to TI's terms and conditions of sale supplied at the time of order acknowledgment.

TI warrants performance of its components to the specifications applicable at the time of sale, in accordance with the warranty in TI's terms and conditions of sale of semiconductor products. Testing and other quality control techniques are used to the extent TI deems necessary to support this warranty. Except where mandated by applicable law, testing of all parameters of each component is not necessarily performed.

TI assumes no liability for applications assistance or the design of Buyers' products. Buyers are responsible for their products and applications using TI components. To minimize the risks associated with Buyers' products and applications, Buyers should provide adequate design and operating safeguards.

TI does not warrant or represent that any license, either express or implied, is granted under any patent right, copyright, mask work right, or other intellectual property right relating to any combination, machine, or process in which TI components or services are used. Information published by TI regarding third-party products or services does not constitute a license to use such products or services or a warranty or endorsement thereof. Use of such information may require a license from a third party under the patents or other intellectual property of the third party, or a license from TI under the patents or other intellectual property of TI.

Reproduction of significant portions of TI information in TI data books or data sheets is permissible only if reproduction is without alteration and is accompanied by all associated warranties, conditions, limitations, and notices. TI is not responsible or liable for such altered documentation. Information of third parties may be subject to additional restrictions.

Resale of TI components or services with statements different from or beyond the parameters stated by TI for that component or service voids all express and any implied warranties for the associated TI component or service and is an unfair and deceptive business practice. TI is not responsible or liable for any such statements.

Buyer acknowledges and agrees that it is solely responsible for compliance with all legal, regulatory and safety-related requirements concerning its products, and any use of TI components in its applications, notwithstanding any applications-related information or support that may be provided by TI. Buyer represents and agrees that it has all the necessary expertise to create and implement safeguards which anticipate dangerous consequences of failures, monitor failures and their consequences, lessen the likelihood of failures that might cause harm and take appropriate remedial actions. Buyer will fully indemnify TI and its representatives against any damages arising out of the use of any TI components in safety-critical applications.

In some cases, TI components may be promoted specifically to facilitate safety-related applications. With such components, TI's goal is to help enable customers to design and create their own end-product solutions that meet applicable functional safety standards and requirements. Nonetheless, such components are subject to these terms.

No TI components are authorized for use in FDA Class III (or similar life-critical medical equipment) unless authorized officers of the parties have executed a special agreement specifically governing such use.

Only those TI components which TI has specifically designated as military grade or "enhanced plastic" are designed and intended for use in military/aerospace applications or environments. Buyer acknowledges and agrees that any military or aerospace use of TI components which have **not** been so designated is solely at the Buyer's risk, and that Buyer is solely responsible for compliance with all legal and regulatory requirements in connection with such use.

TI has specifically designated certain components which meet ISO/TS16949 requirements, mainly for automotive use. Components which have not been so designated are neither designed nor intended for automotive use; and TI will not be responsible for any failure of such components to meet such requirements.

### Products

|                        |  |
|------------------------|--|
| Audio                  | <a href="http://www.ti.com/audio">www.ti.com/audio</a>                               |
| Amplifiers             | <a href="http://amplifier.ti.com">amplifier.ti.com</a>                               |
| Data Converters        | <a href="http://dataconverter.ti.com">dataconverter.ti.com</a>                       |
| DLP® Products          | <a href="http://www.dlp.com">www.dlp.com</a>   |
| DSP                    | <a href="http://dsp.ti.com">dsp.ti.com</a>   |
| Clocks and Timers      | <a href="http://www.ti.com/clocks">www.ti.com/clocks</a>                             |
| Interface              | <a href="http://interface.ti.com">interface.ti.com</a>                               |
| Logic                  | <a href="http://logic.ti.com">logic.ti.com</a>                                       |
| Power Mgmt             | <a href="http://power.ti.com">power.ti.com</a>                                       |
| Microcontrollers       | <a href="http://microcontroller.ti.com">microcontroller.ti.com</a>                   |
| RFID                   | <a href="http://www.ti-rfid.com">www.ti-rfid.com</a>                                 |
| OMAP Mobile Processors | <a href="http://www.ti.com/omap">www.ti.com/omap</a>                                 |
| Wireless Connectivity  | <a href="http://www.ti.com/wirelessconnectivity">www.ti.com/wirelessconnectivity</a> |

### Applications

|                               |  |
|-------------------------------|--|
| Automotive and Transportation | <a href="http://www.ti.com/automotive">www.ti.com/automotive</a>                         |
| Communications and Telecom    | <a href="http://www.ti.com/communications">www.ti.com/communications</a>                 |
| Computers and Peripherals     | <a href="http://www.ti.com/computers">www.ti.com/computers</a>                           |
| Consumer Electronics          | <a href="http://www.ti.com/consumer-apps">www.ti.com/consumer-apps</a>                   |
| Energy and Lighting           | <a href="http://www.ti.com/energy">www.ti.com/energy</a>                                 |
| Industrial                    | <a href="http://www.ti.com/industrial">www.ti.com/industrial</a>                         |
| Medical                       | <a href="http://www.ti.com/medical">www.ti.com/medical</a>                               |
| Security                      | <a href="http://www.ti.com/security">www.ti.com/security</a>                             |
| Space, Avionics and Defense   | <a href="http://www.ti.com/space-avionics-defense">www.ti.com/space-avionics-defense</a> |
| Video and Imaging             | <a href="http://www.ti.com/video">www.ti.com/video</a>                                   |

**TI E2E Community** [e2e.ti.com](http://e2e.ti.com)



## Стандарт Электрон Связь

Мы молодая и активно развивающаяся компания в области поставок электронных компонентов. Мы поставляем электронные компоненты отечественного и импортного производства напрямую от производителей и с крупнейших складов мира.

Благодаря сотрудничеству с мировыми поставщиками мы осуществляем комплексные и плановые поставки широчайшего спектра электронных компонентов.

Собственная эффективная логистика и склад в обеспечивает надежную поставку продукции в точно указанные сроки по всей России.

Мы осуществляем техническую поддержку нашим клиентам и предпродажную проверку качества продукции. На все поставляемые продукты мы предоставляем гарантию .

Осуществляем поставки продукции под контролем ВП МО РФ на предприятия военно-промышленного комплекса России , а также работаем в рамках 275 ФЗ с открытием отдельных счетов в уполномоченном банке. Система менеджмента качества компании соответствует требованиям ГОСТ ISO 9001.

Минимальные сроки поставки, гибкие цены, неограниченный ассортимент и индивидуальный подход к клиентам являются основой для выстраивания долгосрочного и эффективного сотрудничества с предприятиями радиоэлектронной промышленности, предприятиями ВПК и научно-исследовательскими институтами России.

С нами вы становитесь еще успешнее!

### Наши контакты:

**Телефон:** +7 812 627 14 35

**Электронная почта:** [sales@st-electron.ru](mailto:sales@st-electron.ru)

**Адрес:** 198099, Санкт-Петербург,  
Промышленная ул, дом № 19, литера Н,  
помещение 100-Н Офис 331