

# MC34161, MC33161, NCV33161



**ON Semiconductor®**

<http://onsemi.com>

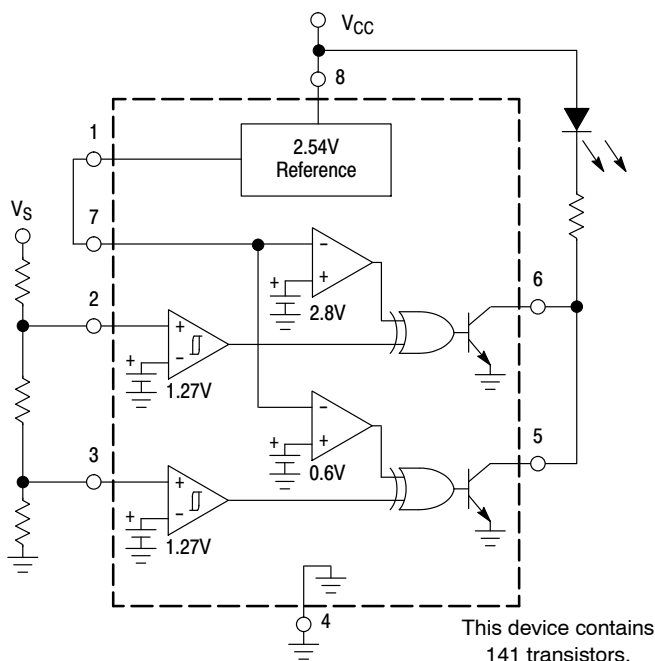
## Universal Voltage Monitors

The MC34161/MC33161 are universal voltage monitors intended for use in a wide variety of voltage sensing applications. These devices offer the circuit designer an economical solution for positive and negative voltage detection. The circuit consists of two comparator channels each with hysteresis, a unique Mode Select Input for channel programming, a pinned out 2.54 V reference, and two open collector outputs capable of sinking in excess of 10 mA. Each comparator channel can be configured as either inverting or noninverting by the Mode Select Input. This allows over, under, and window detection of positive and negative voltages. The minimum supply voltage needed for these devices to be fully functional is 2.0 V for positive voltage sensing and 4.0 V for negative voltage sensing.

Applications include direct monitoring of positive and negative voltages used in appliance, automotive, consumer, and industrial equipment.

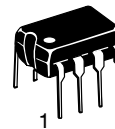
### Features

- Unique Mode Select Input Allows Channel Programming
- Over, Under, and Window Voltage Detection
- Positive and Negative Voltage Detection
- Fully Functional at 2.0 V for Positive Voltage Sensing and 4.0 V for Negative Voltage Sensing
- Pinned Out 2.54 V Reference with Current Limit Protection
- Low Standby Current
- Open Collector Outputs for Enhanced Device Flexibility
- NCV Prefix for Automotive and Other Applications Requiring Site and Control Changes
- Pb-Free Packages are Available

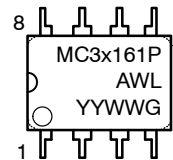


**Figure 1. Simplified Block Diagram**  
(Positive Voltage Window Detector Application)

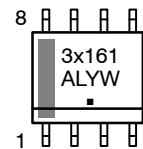
### MARKING DIAGRAMS



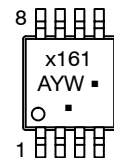
**PDIP-8**  
**P SUFFIX**  
**CASE 626**



**SOIC-8**  
**D SUFFIX**  
**CASE 751**

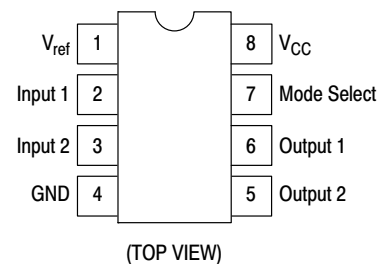


**Micro8™**  
**DM SUFFIX**  
**CASE 846A**



x = 3 or 4  
A = Assembly Location  
WL, L = Wafer Lot  
YY, Y = Year  
WW, W = Work Week  
G or ■ = Pb-Free Package  
(Note: Microdot may be in either location)

### PIN CONNECTIONS



### ORDERING INFORMATION

See detailed ordering and shipping information in the package dimensions section on page 15 of this data sheet.

# MC34161, MC33161, NCV33161

## MAXIMUM RATINGS (Note 1)

Rating	Symbol	Value	Unit
Power Supply Input Voltage	$V_{CC}$	40	V
Comparator Input Voltage Range	$V_{in}$	- 1.0 to +40	V
Comparator Output Sink Current (Pins 5 and 6) (Note 2)	$I_{Sink}$	20	mA
Comparator Output Voltage	$V_{out}$	40	V
Power Dissipation and Thermal Characteristics (Note 2)			
P Suffix, Plastic Package, Case 626			
Maximum Power Dissipation @ $T_A = 70^\circ\text{C}$	$P_D$	800	mW
Thermal Resistance, Junction-to-Air	$R_{\theta JA}$	100	$^\circ\text{C/W}$
D Suffix, Plastic Package, Case 751			
Maximum Power Dissipation @ $T_A = 70^\circ\text{C}$	$P_D$	450	mW
Thermal Resistance, Junction-to-Air	$R_{\theta JA}$	178	$^\circ\text{C/W}$
DM Suffix, Plastic Package, Case 846A			
Thermal Resistance, Junction-to-Ambient	$R_{\theta JA}$	240	$^\circ\text{C/W}$
Operating Junction Temperature	$T_J$	+150	$^\circ\text{C}$
Operating Ambient Temperature (Note 3)	$T_A$		$^\circ\text{C}$
MC34161		0 to +70	
MC33161		- 40 to +105	
NCV33161		-40 to +125	
Storage Temperature Range	$T_{stg}$	- 55 to +150	$^\circ\text{C}$

Stresses exceeding Maximum Ratings may damage the device. Maximum Ratings are stress ratings only. Functional operation above the Recommended Operating Conditions is not implied. Extended exposure to stresses above the Recommended Operating Conditions may affect device reliability.

- This device series contains ESD protection and exceeds the following tests:  
 Human Body Model 2000 V per MIL-STD-883, Method 3015.  
 Machine Model Method 200 V.
- Maximum package power dissipation must be observed.
- $T_{low} = 0^\circ\text{C}$  for MC34161       $T_{high} = +70^\circ\text{C}$  for MC34161  
    -40 $^\circ\text{C}$  for MC33161        +105 $^\circ\text{C}$  for MC33161  
    -40 $^\circ\text{C}$  for NCV33161        +125 $^\circ\text{C}$  for NCV33161

# MC34161, MC33161, NCV33161

**ELECTRICAL CHARACTERISTICS** ( $V_{CC} = 5.0\text{ V}$ , for typical values  $T_A = 25^\circ\text{C}$ , for min/max values  $T_A$  is the operating ambient temperature range that applies [Notes 4 and 5], unless otherwise noted.)

Characteristics	Symbol	Min	Typ	Max	Unit
-----------------	--------	-----	-----	-----	------

## COMPARATOR INPUTS

Threshold Voltage, $V_{in}$ Increasing ( $T_A = 25^\circ\text{C}$ ) ( $T_A = T_{min}$ to $T_{max}$ )	$V_{th}$	1.245 1.235	1.27 –	1.295 1.295	V
Threshold Voltage Variation ( $V_{CC} = 2.0\text{ V}$ to $40\text{ V}$ )	$\Delta V_{th}$	–	7.0	15	mV
Threshold Hysteresis, $V_{in}$ Decreasing	$V_H$	15	25	35	mV
Threshold Difference $ V_{th1} - V_{th2} $	$V_D$	–	1.0	15	mV
Reference to Threshold Difference ( $V_{ref} - V_{in1}$ ), ( $V_{ref} - V_{in2}$ )	$V_{RTD}$	1.20	1.27	1.32	V
Input Bias Current ( $V_{in} = 1.0\text{ V}$ ) ( $V_{in} = 1.5\text{ V}$ )	$I_{IB}$	– –	40 85	200 400	nA

## MODE SELECT INPUT

Mode Select Threshold Voltage (Figure 6)	Channel 1 Channel 2	$V_{th(CH\ 1)}$ $V_{th(CH\ 2)}$	$V_{ref}+0.15$ 0.3	$V_{ref}+0.23$ 0.63	$V_{ref}+0.30$ 0.9	V
--	------------------------	------------------------------------	-----------------------	------------------------	-----------------------	---

## COMPARATOR OUTPUTS

Output Sink Saturation Voltage ( $I_{Sink} = 2.0\text{ mA}$ ) ( $I_{Sink} = 10\text{ mA}$ ) ( $I_{Sink} = 0.25\text{ mA}$ , $V_{CC} = 1.0\text{ V}$ )	$V_{OL}$	– – –	0.05 0.22 0.02	0.3 0.6 0.2	V
Off-State Leakage Current ( $V_{OH} = 40\text{ V}$ )	$I_{OH}$	–	0	1.0	$\mu\text{A}$

## REFERENCE OUTPUT

Output Voltage ( $I_O = 0\text{ mA}$ , $T_A = 25^\circ\text{C}$ )	$V_{ref}$	2.48	2.54	2.60	V
Load Regulation ( $I_O = 0\text{ mA}$ to $2.0\text{ mA}$ )	$Reg_{load}$	–	0.6	15	mV
Line Regulation ( $V_{CC} = 4.0\text{ V}$ to $40\text{ V}$ )	$Reg_{line}$	–	5.0	15	mV
Total Output Variation over Line, Load, and Temperature	$\Delta V_{ref}$	2.45	–	2.60	V
Short Circuit Current	$I_{SC}$	–	8.5	30	mA

## TOTAL DEVICE

Power Supply Current ( $V_{Mode}$ , $V_{in1}$ , $V_{in2} = \text{GND}$ ) ( $V_{CC} = 5.0\text{ V}$ ) ( $V_{CC} = 40\text{ V}$ )	$I_{CC}$	– –	450 560	700 900	$\mu\text{A}$
Operating Voltage Range (Positive Sensing) (Negative Sensing)	$V_{CC}$	2.0 4.0	– –	40 40	V

4. Low duty cycle pulse techniques are used during test to maintain junction temperature as close to ambient as possible.

5.  $T_{low} = 0^\circ\text{C}$  for MC34161       $T_{high} = +70^\circ\text{C}$  for MC34161  
 –40°C for MC33161              +105°C for MC33161  
 –40°C for NCV33161              +125°C for NCV33161

# MC34161, MC33161, NCV33161

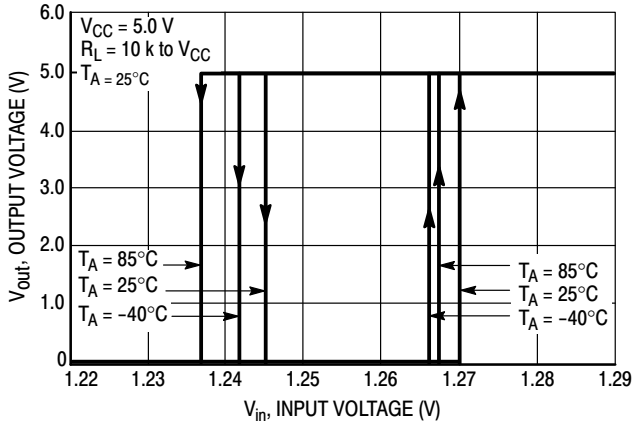


Figure 2. Comparator Input Threshold Voltage

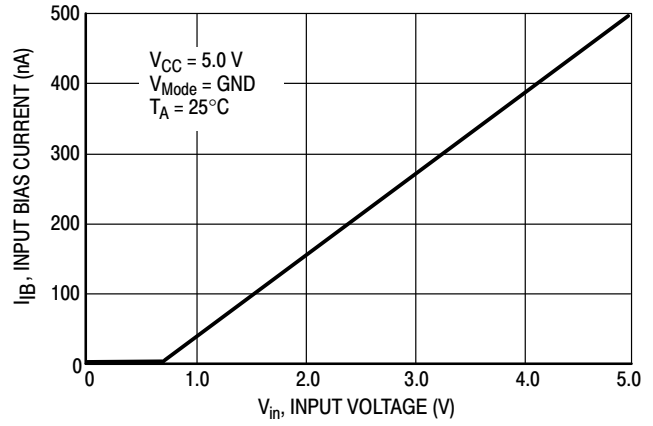


Figure 3. Comparator Input Bias Current versus Input Voltage

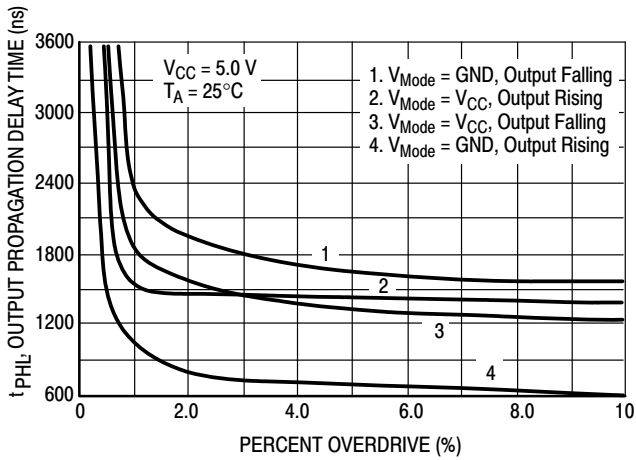


Figure 4. Output Propagation Delay Time versus Percent Overdrive

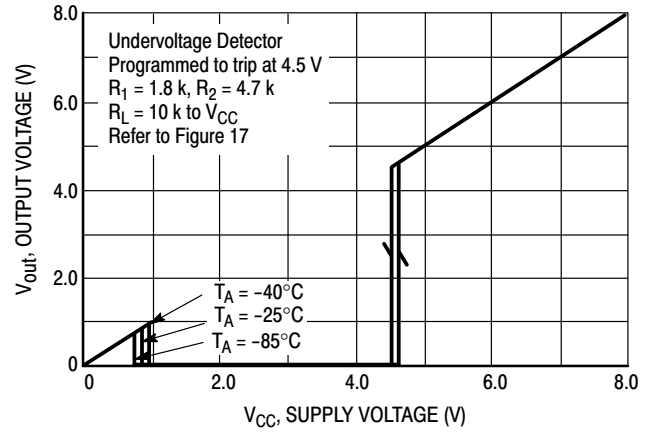


Figure 5. Output Voltage versus Supply Voltage

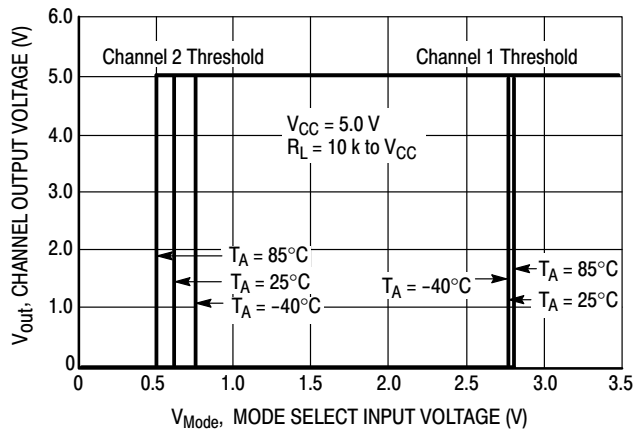


Figure 6. Mode Select Thresholds

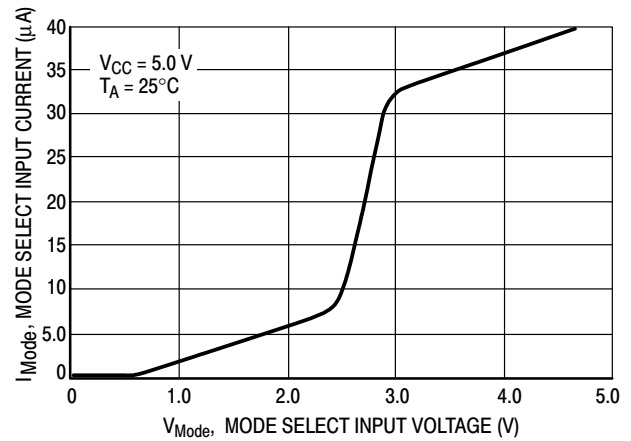


Figure 7. Mode Select Input Current versus Input Voltage

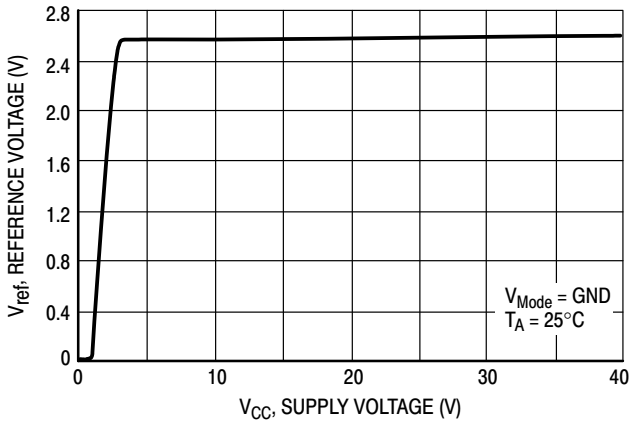


Figure 8. Reference Voltage versus Supply Voltage

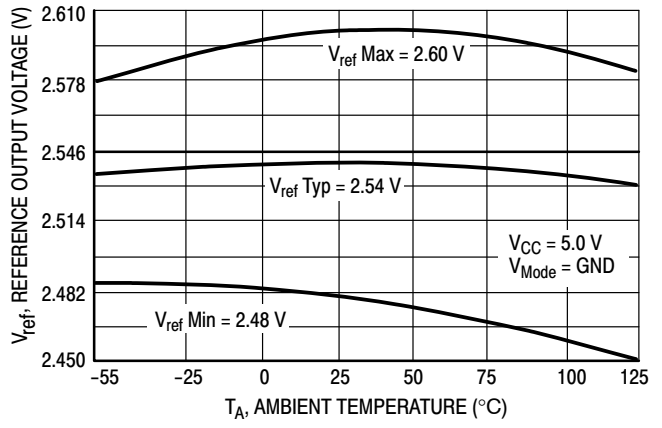


Figure 9. Reference Voltage versus Ambient Temperature

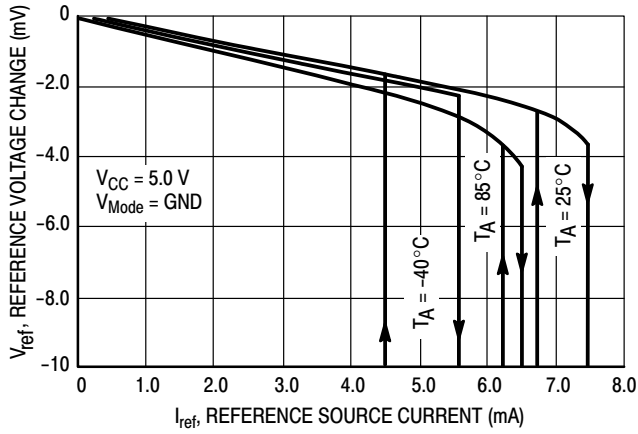


Figure 10. Reference Voltage Change versus Source Current

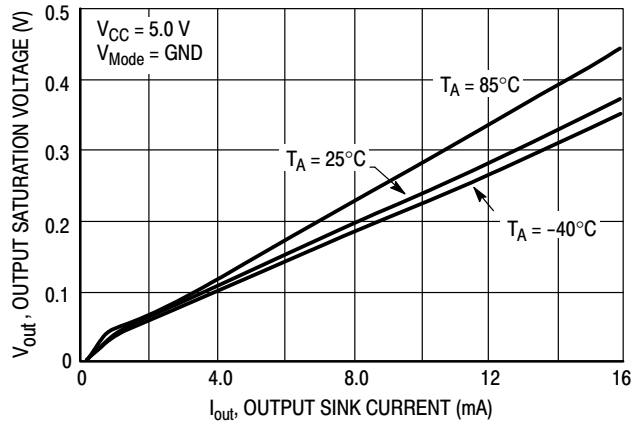


Figure 11. Output Saturation Voltage versus Output Sink Current

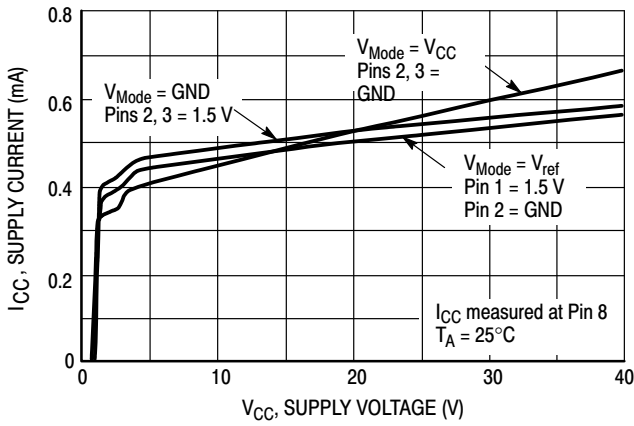


Figure 12. Supply Current versus Supply Voltage

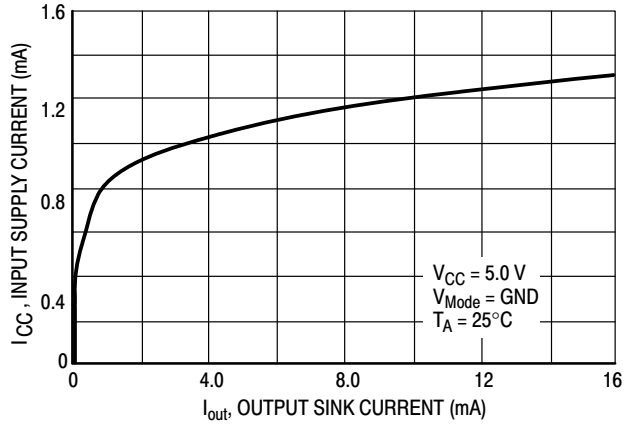


Figure 13. Supply Current versus Output Sink Current

# MC34161, MC33161, NCV33161

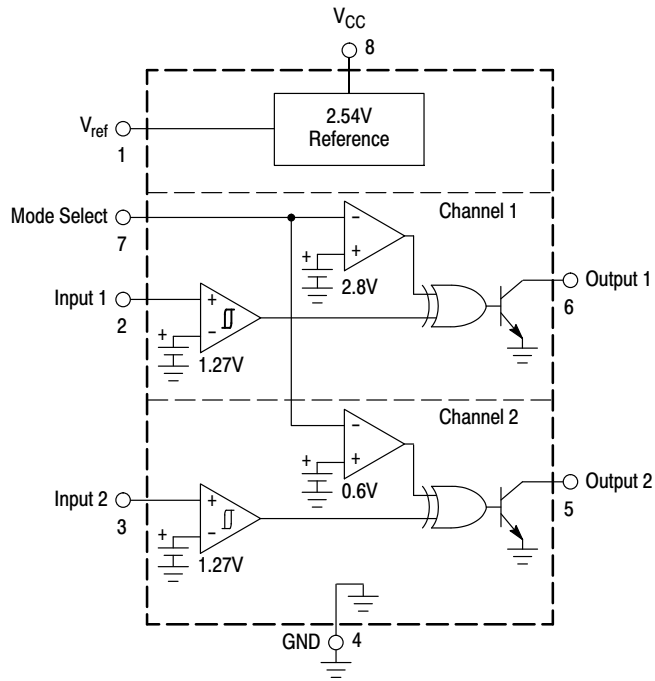


Figure 14. MC34161 Representative Block Diagram

Mode Select Pin 7	Input 1 Pin 2	Output 1 Pin 6	Input 2 Pin 3	Output 2 Pin 5	Comments
GND	0 1	0 1	0 1	0 1	Channels 1 & 2: Noninverting
V <sub>ref</sub>	0 1	0 1	0 1	1 0	Channel 1: Noninverting Channel 2: Inverting
V <sub>CC</sub> (>2.0 V)	0 1	1 0	0 1	1 0	Channels 1 & 2: Inverting

Figure 15. Truth Table

**FUNCTIONAL DESCRIPTION****Introduction**

To be competitive in today's electronic equipment market, new circuits must be designed to increase system reliability with minimal incremental cost. The circuit designer can take a significant step toward attaining these goals by implementing economical circuitry that continuously monitors critical circuit voltages and provides a fault signal in the event of an out-of-tolerance condition. The MC34161, MC33161 series are universal voltage monitors intended for use in a wide variety of voltage sensing applications. The main objectives of this series was to configure a device that can be used in as many voltage sensing applications as possible while minimizing cost. The flexibility objective is achieved by the utilization of a unique Mode Select input that is used in conjunction with traditional circuit building blocks. The cost objective is achieved by processing the device on a standard Bipolar Analog flow, and by limiting the package to eight pins. The device consists of two comparator channels each with hysteresis, a mode select input for channel programming, a pinned out reference, and two open collector outputs. Each comparator channel can be configured as either inverting or noninverting by the Mode Select input. This allows a single device to perform over, under, and window detection of positive and negative voltages. A detailed description of each section of the device is given below with the representative block diagram shown in Figure 14.

**Input Comparators**

The input comparators of each channel are identical, each having an upper threshold voltage of  $1.27\text{ V} \pm 2.0\%$  with  $25\text{ mV}$  of hysteresis. The hysteresis is provided to enhance output switching by preventing oscillations as the comparator thresholds are crossed. The comparators have an input bias current of  $60\text{ nA}$  at their threshold which approximates a  $21.2\text{ M}\Omega$  resistor to ground. This high impedance minimizes loading of the external voltage divider for well defined trip points. For all positive voltage sensing applications, both comparator channels are fully functional at a  $V_{CC}$  of  $2.0\text{ V}$ . In order to provide enhanced device ruggedness for hostile industrial environments, additional circuitry was designed into the inputs to prevent device latchup as well as to suppress electrostatic discharges (ESD).

**Reference**

The  $2.54\text{ V}$  reference is pinned out to provide a means for the input comparators to sense negative voltages, as well as a means to program the Mode Select input for window detection applications. The reference is capable of sourcing in excess of  $2.0\text{ mA}$  output current and has built-in short circuit protection. The output voltage has a guaranteed tolerance of  $\pm 2.4\%$  at room temperature.

The  $2.54\text{ V}$  reference is derived by gaining up the internal  $1.27\text{ V}$  reference by a factor of two. With a power supply voltage of  $4.0\text{ V}$ , the  $2.54\text{ V}$  reference is in full regulation, allowing the device to accurately sense negative voltages.

**Mode Select Circuit**

The key feature that allows this device to be flexible is the Mode Select input. This input allows the user to program each of the channels for various types of voltage sensing applications. Figure 15 shows that the Mode Select input has three defined states. These states determine whether Channel 1 and/or Channel 2 operate in the inverting or noninverting mode. The Mode Select thresholds are shown in Figure 6. The input circuitry forms a tristate switch with thresholds at  $0.63\text{ V}$  and  $V_{ref} + 0.23\text{ V}$ . The mode select input current is  $10\text{ }\mu\text{A}$  when connected to the reference output, and  $42\text{ }\mu\text{A}$  when connected to a  $V_{CC}$  of  $5.0\text{ V}$ , refer to Figure 7.

**Output Stage**

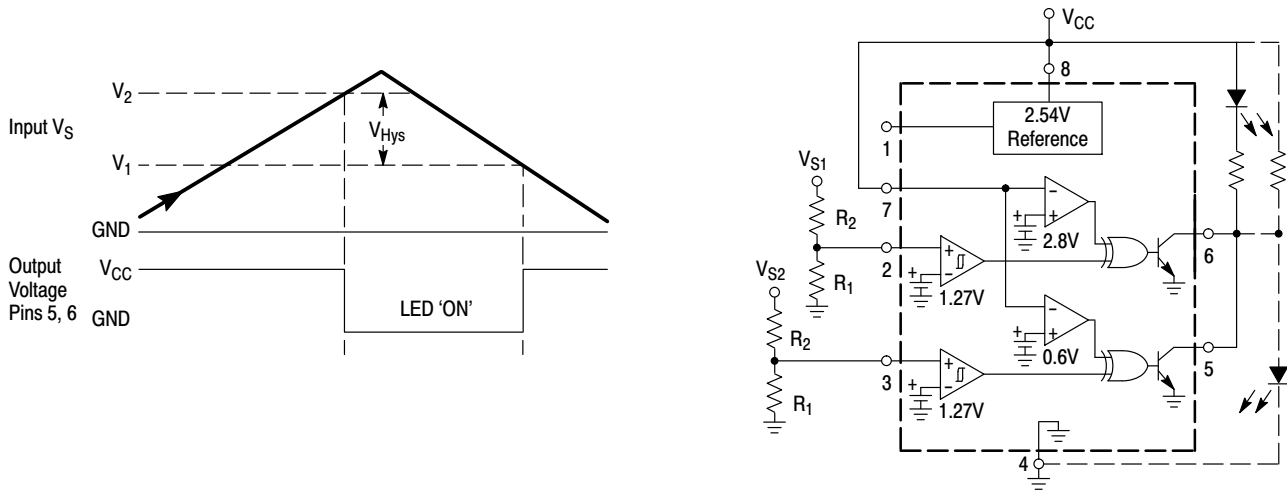
The output stage uses a positive feedback base boost circuit for enhanced sink saturation, while maintaining a relatively low device standby current. Figure 11 shows that the sink saturation voltage is about  $0.2\text{ V}$  at  $8.0\text{ mA}$  over temperature. By combining the low output saturation characteristics with low voltage comparator operation, this device is capable of sensing positive voltages at a  $V_{CC}$  of  $1.0\text{ V}$ . These characteristics are important in undervoltage sensing applications where the output must stay in a low state as  $V_{CC}$  approaches ground. Figure 5 shows the Output Voltage versus Supply Voltage in an undervoltage sensing application. Note that as  $V_{CC}$  drops below the programmed  $4.5\text{ V}$  trip point, the output stays in a well defined active low state until  $V_{CC}$  drops below  $1.0\text{ V}$ .

**APPLICATIONS**

The following circuit figures illustrate the flexibility of this device. Included are voltage sensing applications for over, under, and window detectors, as well as three unique configurations. Many of the voltage detection circuits are shown with the open collector outputs of each channel connected together driving a light emitting diode (LED). This 'ORed' connection is shown for ease of explanation and it is only required for window detection applications.

Note that many of the voltage detection circuits are shown with a dashed line output connection. This connection gives the inverse function of the solid line connection. For example, the solid line output connection of Figure 16 has the LED 'ON' when input voltage  $V_S$  is above trip voltage  $V_2$ , for overvoltage detection. The dashed line output connection has the LED 'ON' when  $V_S$  is below trip voltage  $V_2$ , for undervoltage detection.

# MC34161, MC33161, NCV33161



The above figure shows the MC34161 configured as a dual positive overvoltage detector. As the input voltage increases from ground, the LED will turn 'ON' when  $V_{S1}$  or  $V_{S2}$  exceeds  $V_2$ . With the dashed line output connection, the circuit becomes a dual positive undervoltage detector. As the input voltage decreases from the peak towards ground, the LED will turn 'ON' when  $V_{S1}$  or  $V_{S2}$  falls below  $V_1$ .

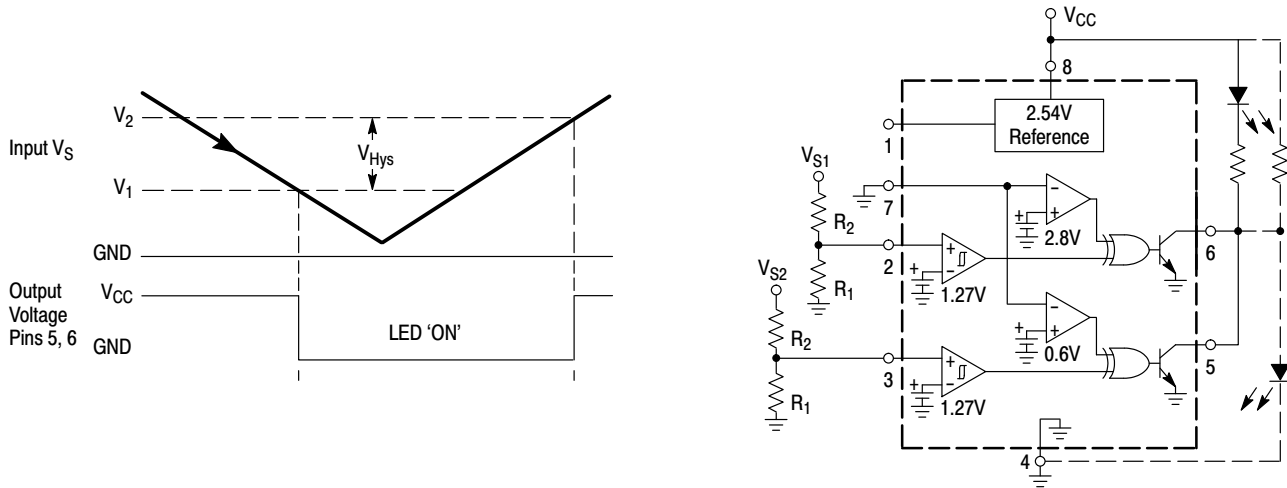
For known resistor values, the voltage trip points are:

$$V_1 = (V_{th} - V_H) \left( \frac{R_2}{R_1} + 1 \right) \quad V_2 = V_{th} \left( \frac{R_2}{R_1} + 1 \right)$$

For a specific trip voltage, the required resistor ratio is:

$$\frac{R_2}{R_1} = \frac{V_1}{V_{th} - V_H} - 1 \quad \frac{R_2}{R_1} = \frac{V_2}{V_{th}} - 1$$

**Figure 16. Dual Positive Overvoltage Detector**



The above figure shows the MC34161 configured as a dual positive undervoltage detector. As the input voltage decreases towards ground, the LED will turn 'ON' when  $V_{S1}$  or  $V_{S2}$  falls below  $V_1$ . With the dashed line output connection, the circuit becomes a dual positive overvoltage detector. As the input voltage increases from ground, the LED will turn 'ON' when  $V_{S1}$  or  $V_{S2}$  exceeds  $V_2$ .

For known resistor values, the voltage trip points are:

$$V_1 = (V_{th} - V_H) \left( \frac{R_2}{R_1} + 1 \right) \quad V_2 = V_{th} \left( \frac{R_2}{R_1} + 1 \right)$$

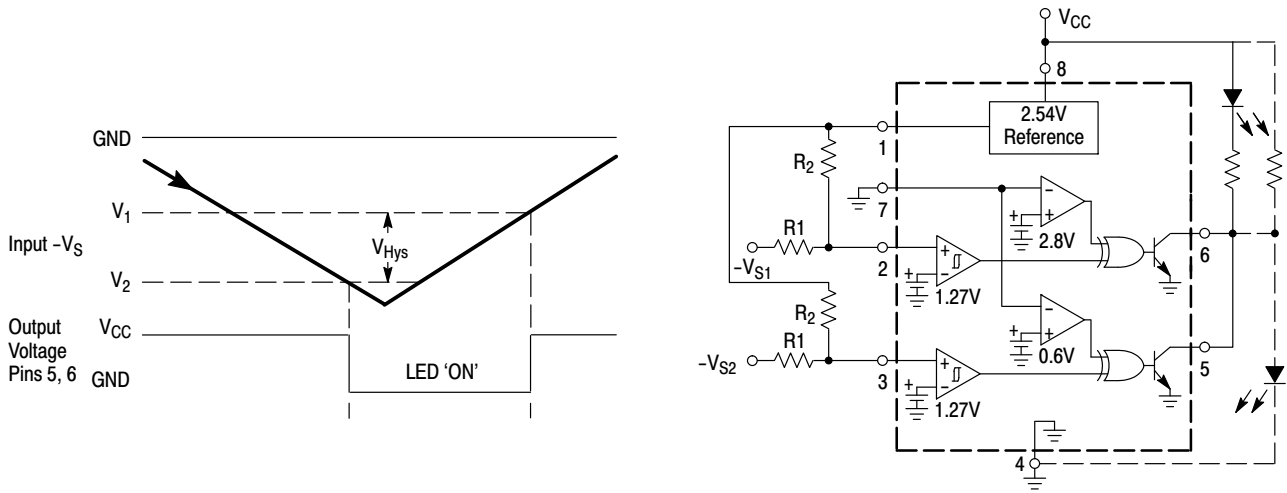
For a specific trip voltage, the required resistor ratio is:

$$\frac{R_2}{R_1} = \frac{V_1}{V_{th} - V_H} - 1 \quad \frac{R_2}{R_1} = \frac{V_2}{V_{th}} - 1$$

**Figure 17. Dual Positive Undervoltage Detector**



# MC34161, MC33161, NCV33161



The above figure shows the MC34161 configured as a dual negative overvoltage detector. As the input voltage increases from ground, the LED will turn 'ON' when  $-V_{S1}$  or  $-V_{S2}$  exceeds  $V_2$ . With the dashed line output connection, the circuit becomes a dual negative undervoltage detector. As the input voltage decreases from the peak towards ground, the LED will turn 'ON' when  $-V_{S1}$  or  $-V_{S2}$  falls below  $V_1$ .

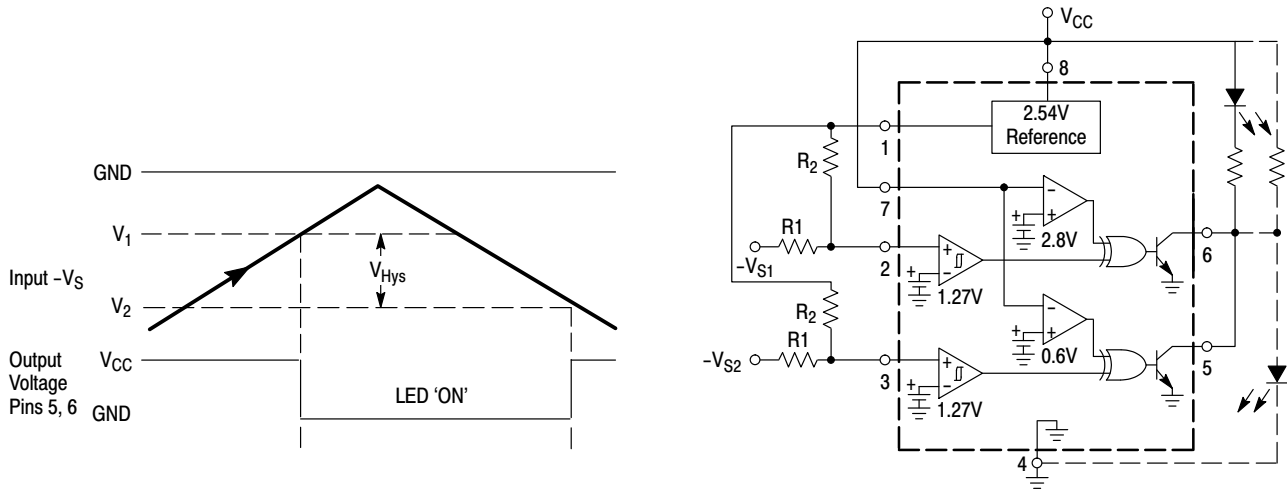
For known resistor values, the voltage trip points are:

$$V_1 = \frac{R_1}{R_2}(V_{th} - V_{ref}) + V_{th} \quad V_2 = \frac{R_1}{R_2}(V_{th} - V_H - V_{ref}) + V_{th} - V_H$$

For a specific trip voltage, the required resistor ratio is:

$$\frac{R_1}{R_2} = \frac{V_1 - V_{th}}{V_{th} - V_{ref}} \quad \frac{R_1}{R_2} = \frac{V_2 - V_{th} + V_H}{V_{th} - V_H - V_{ref}}$$

**Figure 18. Dual Negative Overvoltage Detector**



The above figure shows the MC34161 configured as a dual negative undervoltage detector. As the input voltage decreases towards ground, the LED will turn 'ON' when  $-V_{S1}$  or  $-V_{S2}$  falls below  $V_1$ . With the dashed line output connection, the circuit becomes a dual negative overvoltage detector. As the input voltage increases from ground, the LED will turn 'ON' when  $-V_{S1}$  or  $-V_{S2}$  exceeds  $V_2$ .

For known resistor values, the voltage trip points are:

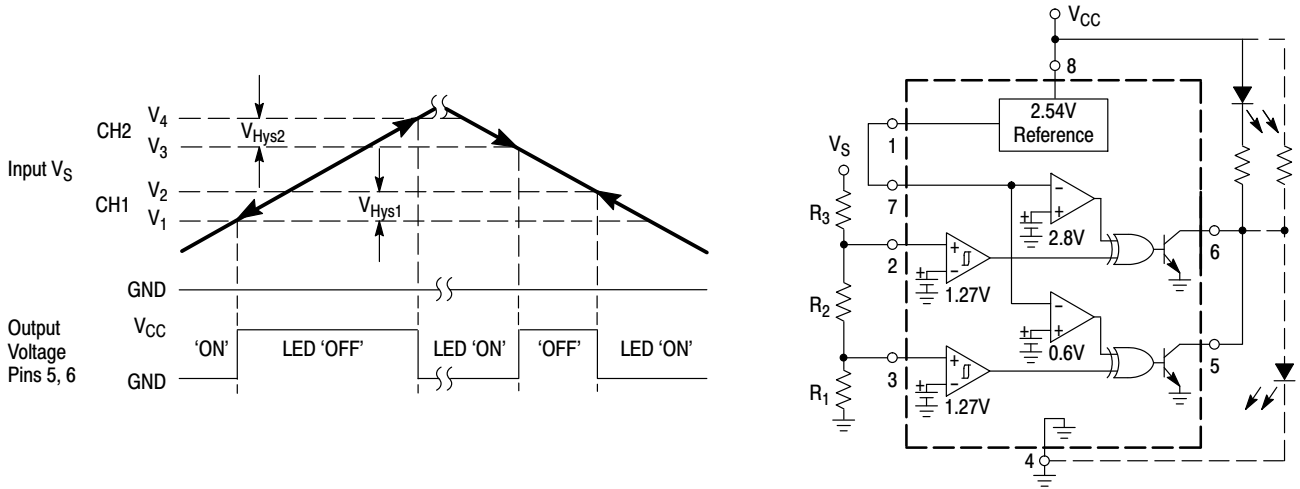
$$V_1 = \frac{R_1}{R_2}(V_{th} - V_{ref}) + V_{th} \quad V_2 = \frac{R_1}{R_2}(V_{th} - V_H - V_{ref}) + V_{th} - V_H$$

For a specific trip voltage, the required resistor ratio is:

$$\frac{R_1}{R_2} = \frac{V_1 - V_{th}}{V_{th} - V_{ref}} \quad \frac{R_1}{R_2} = \frac{V_2 - V_{th} + V_H}{V_{th} - V_H - V_{ref}}$$

**Figure 19. Dual Negative Undervoltage Detector**

# MC34161, MC33161, NCV33161



The above figure shows the MC34161 configured as a positive voltage window detector. This is accomplished by connecting channel 1 as an undervoltage detector, and channel 2 as an overvoltage detector. When the input voltage  $V_S$  falls out of the window established by  $V_1$  and  $V_4$ , the LED will turn 'ON'. As the input voltage falls within the window,  $V_S$  increasing from ground and exceeding  $V_2$ , or  $V_S$  decreasing from the peak towards ground and falling below  $V_3$ , the LED will turn 'OFF'. With the dashed line output connection, the LED will turn 'ON' when the input voltage  $V_S$  is within the window.

For known resistor values, the voltage trip points are:

$$V_1 = (V_{th1} - V_{H1}) \left( \frac{R_3}{R_1 + R_2} + 1 \right) \quad V_3 = (V_{th2} - V_{H2}) \left( \frac{R_2 + R_3}{R_1} + 1 \right)$$

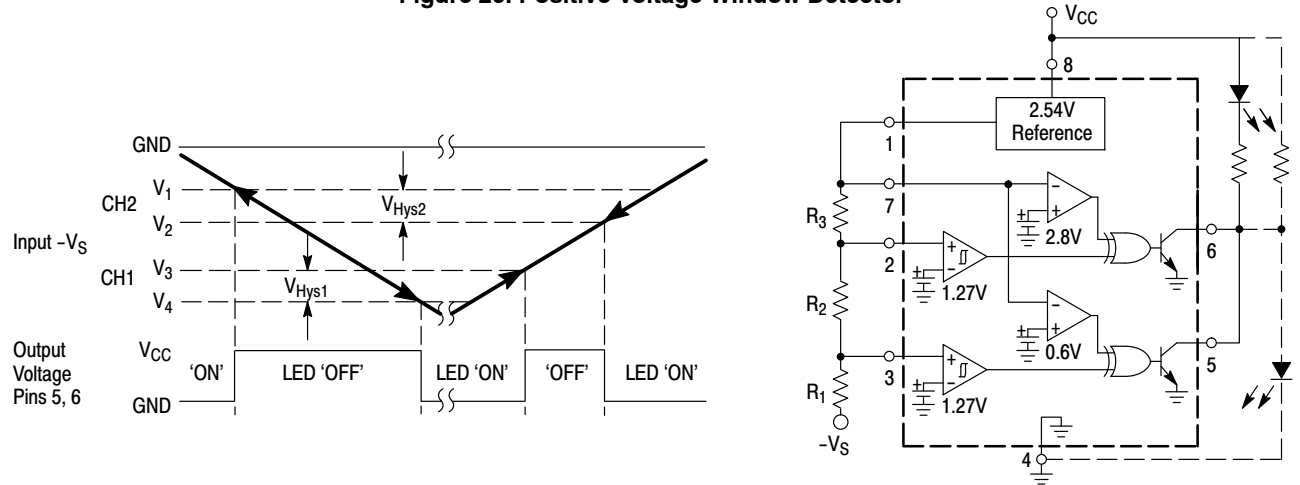
$$V_2 = V_{th1} \left( \frac{R_3}{R_1 + R_2} + 1 \right) \quad V_4 = V_{th2} \left( \frac{R_2 + R_3}{R_1} + 1 \right)$$

For a specific trip voltage, the required resistor ratio is:

$$\frac{R_2}{R_1} = \frac{V_3(V_{th2} - V_{H2})}{V_1(V_{th1} - V_{H1})} - 1 \quad \frac{R_3}{R_1} = \frac{V_3(V_1 - V_{th1} + V_{H1})}{V_1(V_{th2} - V_{H2})}$$

$$\frac{R_2}{R_1} = \frac{V_4 \times V_{th1}}{V_2 \times V_{th2}} - 1 \quad \frac{R_3}{R_1} = \frac{V_4(V_2 - V_{th1})}{V_2 \times V_{th2}}$$

**Figure 20. Positive Voltage Window Detector**



The above figure shows the MC34161 configured as a negative voltage window detector. When the input voltage  $-V_S$  falls out of the window established by  $V_1$  and  $V_4$ , the LED will turn 'ON'. As the input voltage falls within the window,  $-V_S$  increasing from ground and exceeding  $V_2$ , or  $-V_S$  decreasing from the peak towards ground and falling below  $V_3$ , the LED will turn 'OFF'. With the dashed line output connection, the LED will turn 'ON' when the input voltage  $-V_S$  is within the window.

For known resistor values, the voltage trip points are:

$$V_1 = \frac{R_1(V_{th2} - V_{ref})}{R_2 + R_3} + V_{th2}$$

$$V_2 = \frac{R_1(V_{th2} - V_{H2} - V_{ref})}{R_2 + R_3} + V_{th2} - V_{H2}$$

$$V_3 = \frac{(R_1 + R_2)(V_{th1} - V_{ref})}{R_3} + V_{th1}$$

$$V_4 = \frac{(R_1 + R_2)(V_{th1} - V_{H1} - V_{ref})}{R_3} + V_{th1} - V_{H1}$$

For a specific trip voltage, the required resistor ratio is:

$$\frac{R_1}{R_2 + R_3} = \frac{V_1 - V_{th2}}{V_{th2} - V_{ref}}$$

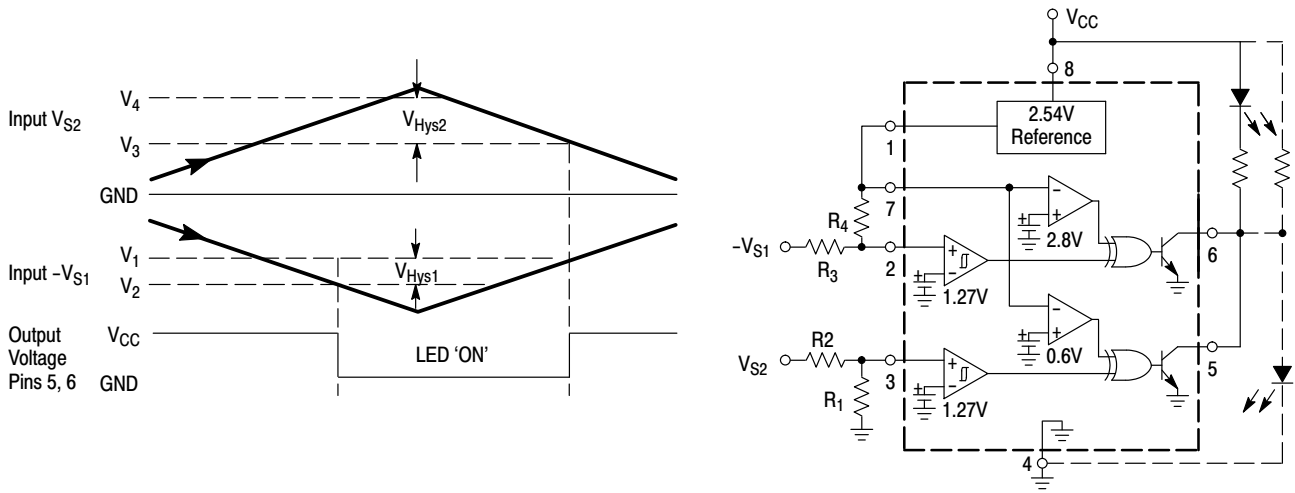
$$\frac{R_1}{R_2 + R_3} = \frac{V_2 - V_{th2} + V_{H2}}{V_{th2} - V_{H2} - V_{ref}}$$

$$\frac{R_3}{R_1 + R_2} = \frac{V_{th1} - V_{ref}}{V_3 - V_{th1}}$$

$$\frac{R_3}{R_1 + R_2} = \frac{V_{th1} - V_{H1} - V_{ref}}{V_4 + V_{H1} - V_{th1}}$$

**Figure 21. Negative Voltage Window Detector**

# MC34161, MC33161, NCV33161



The above figure shows the MC34161 configured as a positive and negative overvoltage detector. As the input voltage increases from ground, the LED will turn 'ON' when either  $-V_{S1}$  exceeds  $V_2$ , or  $V_{S2}$  exceeds  $V_4$ . With the dashed line output connection, the circuit becomes a positive and negative undervoltage detector. As the input voltage decreases from the peak towards ground, the LED will turn 'ON' when either  $V_{S2}$  falls below  $V_3$ , or  $-V_{S1}$  falls below  $V_1$ .

For known resistor values, the voltage trip points are:

$$V_1 = \frac{R_3}{R_4}(V_{th1} - V_{ref}) + V_{th1} \quad V_3 = (V_{th2} - V_{H2})\left(\frac{R_2}{R_1} + 1\right)$$

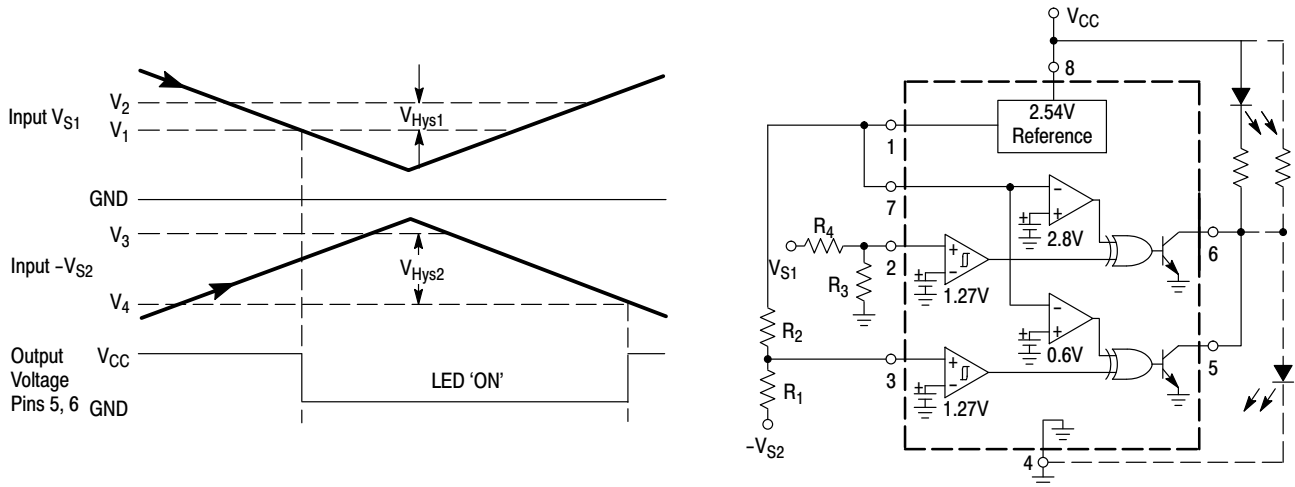
$$V_2 = \frac{R_3}{R_4}(V_{th1} - V_{H1} - V_{ref}) + V_{th1} - V_{H1} \quad V_4 = V_{th2}\left(\frac{R_2}{R_1} + 1\right)$$

For a specific trip voltage, the required resistor ratio is:

$$\frac{R_3}{R_4} = \frac{(V_1 - V_{th1})}{(V_{th1} - V_{ref})} \quad \frac{R_2}{R_1} = \frac{V_4}{V_{th2}} - 1$$

$$\frac{R_3}{R_4} = \frac{(V_2 - V_{th1} + V_{H1})}{(V_{th1} - V_{H1} - V_{ref})} \quad \frac{R_2}{R_1} = \frac{V_3}{V_{th2} - V_{H2}} - 1$$

**Figure 22. Positive and Negative Overvoltage Detector**



The above figure shows the MC34161 configured as a positive and negative undervoltage detector. As the input voltage decreases toward ground, the LED will turn 'ON' when either  $V_{S1}$  falls below  $V_1$ , or  $-V_{S2}$  falls below  $V_3$ . With the dashed line output connection, the circuit becomes a positive and negative overvoltage detector. As the input voltage increases from the ground, the LED will turn 'ON' when either  $V_{S1}$  exceeds  $V_2$ , or  $-V_{S1}$  exceeds  $V_1$ .

For known resistor values, the voltage trip points are:

$$V_1 = (V_{th1} - V_{H1})\left(\frac{R_4}{R_3} + 1\right) \quad V_3 = \frac{R_1}{R_2}(V_{th} - V_{ref}) + V_{th2}$$

$$V_2 = V_{th1}\left(\frac{R_4}{R_3} + 1\right) \quad V_4 = \frac{R_1}{R_2}(V_{th} - V_{H2} - V_{ref}) + V_{th2} - V_{H2}$$

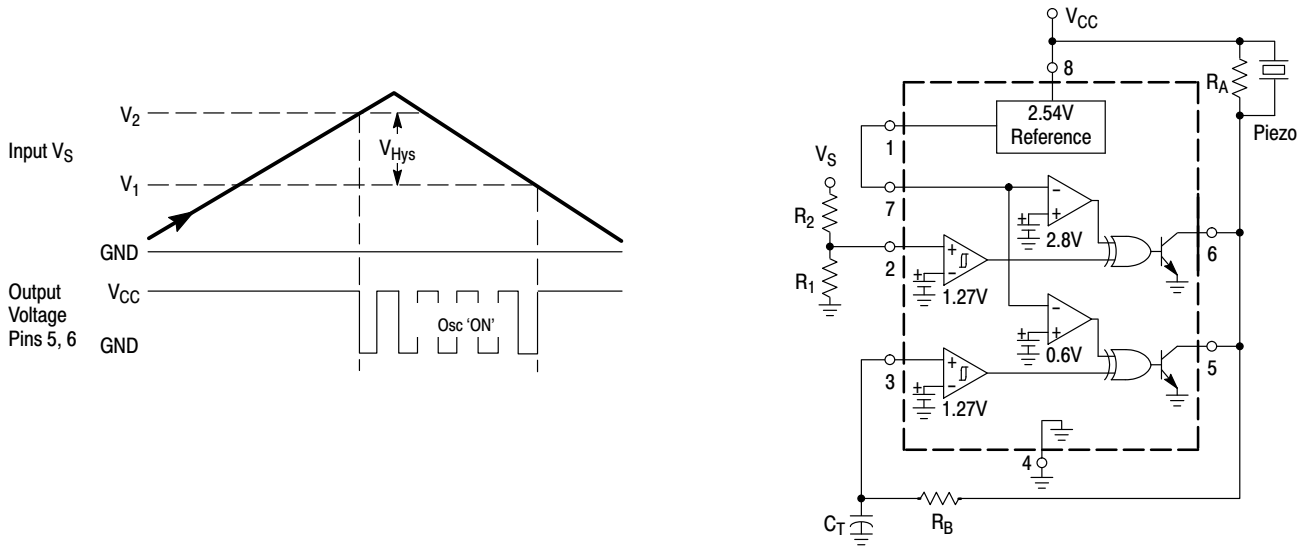
For a specific trip voltage, the required resistor ratio is:

$$\frac{R_4}{R_3} = \frac{V_2}{V_{th1}} - 1 \quad \frac{R_1}{R_2} = \frac{V_4 + V_{H2} - V_{th2}}{V_{th2} - V_{H2} - V_{ref}}$$

$$\frac{R_4}{R_3} = \frac{V_1}{V_{th1} - V_{H1}} - 1 \quad \frac{R_1}{R_2} = \frac{V_3 - V_{th2}}{V_{th2} - V_{ref}}$$

**Figure 23. Positive and Negative Undervoltage Detector**

# MC34161, MC33161, NCV33161



The above figure shows the MC34161 configured as an overvoltage detector with an audio alarm. Channel 1 monitors input voltage  $V_S$  while channel 2 is connected as a simple RC oscillator. As the input voltage increases from ground, the output of channel 1 allows the oscillator to turn 'ON' when  $V_S$  exceeds  $V_2$ .

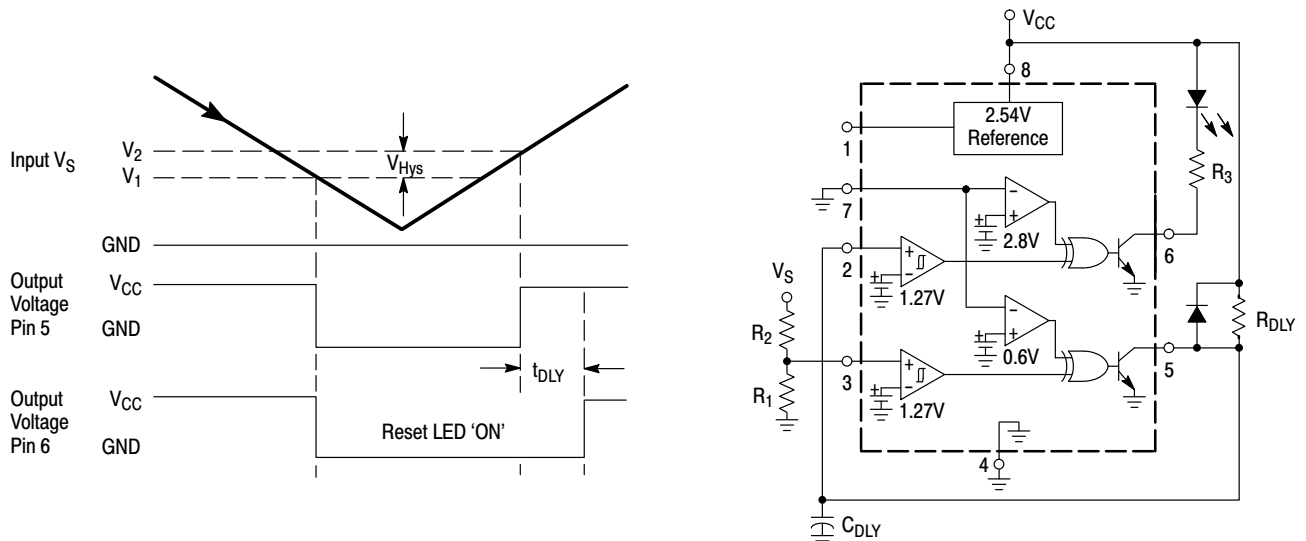
For known resistor values, the voltage trip points are:

$$V_1 = (V_{th} - V_H) \left( \frac{R_2}{R_1} + 1 \right) \quad V_2 = V_{th} \left( \frac{R_2}{R_1} + 1 \right)$$

For a specific trip voltage, the required resistor ratio is:

$$\frac{R_2}{R_1} = \frac{V_1}{V_{th} - V_H} - 1 \quad \frac{R_2}{R_1} = \frac{V_2}{V_{th}} - 1$$

**Figure 24. Overvoltage Detector with Audio Alarm**



The above figure shows the MC34161 configured as a microprocessor reset with a time delay. Channel 2 monitors input voltage  $V_S$  while channel 1 performs the time delay function. As the input voltage decreases towards ground, the output of channel 2 quickly discharges  $C_{DLY}$  when  $V_S$  falls below  $V_1$ . As the input voltage increases from ground, the output of channel 2 allows  $R_{DLY}$  to charge  $C_{DLY}$  when  $V_S$  exceeds  $V_2$ .

For known resistor values, the voltage trip points are:

$$V_1 = (V_{th} - V_H) \left( \frac{R_2}{R_1} + 1 \right) \quad V_2 = V_{th} \left( \frac{R_2}{R_1} + 1 \right)$$

For a specific trip voltage, the required resistor ratio is:

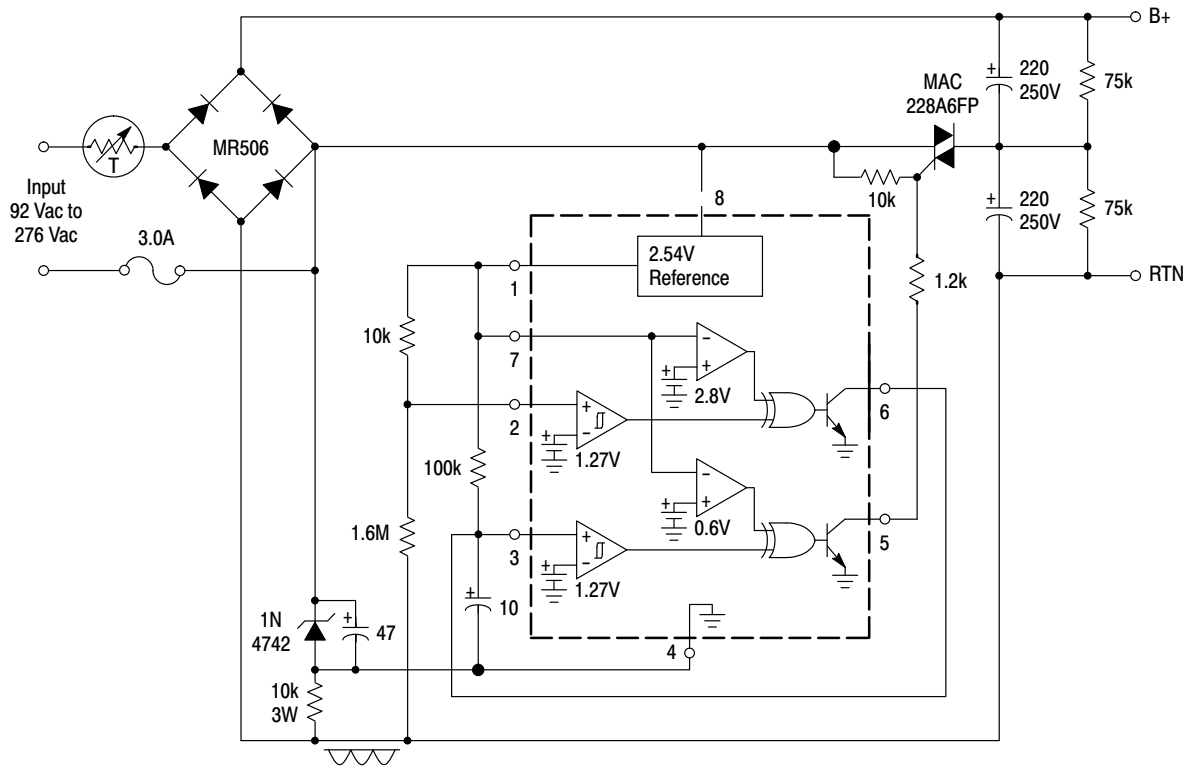
$$\frac{R_2}{R_1} = \frac{V_1}{V_{th} - V_H} - 1 \quad \frac{R_2}{R_1} = \frac{V_2}{V_{th}} - 1$$

For known  $R_{DLY}$   $C_{DLY}$  values, the reset time delay is:

$$t_{DLY} = R_{DLY} C_{DLY} \ln \left( \frac{1}{1 - \frac{V_{th}}{V_{CC}}} \right)$$

**Figure 25. Microprocessor Reset with Time Delay**

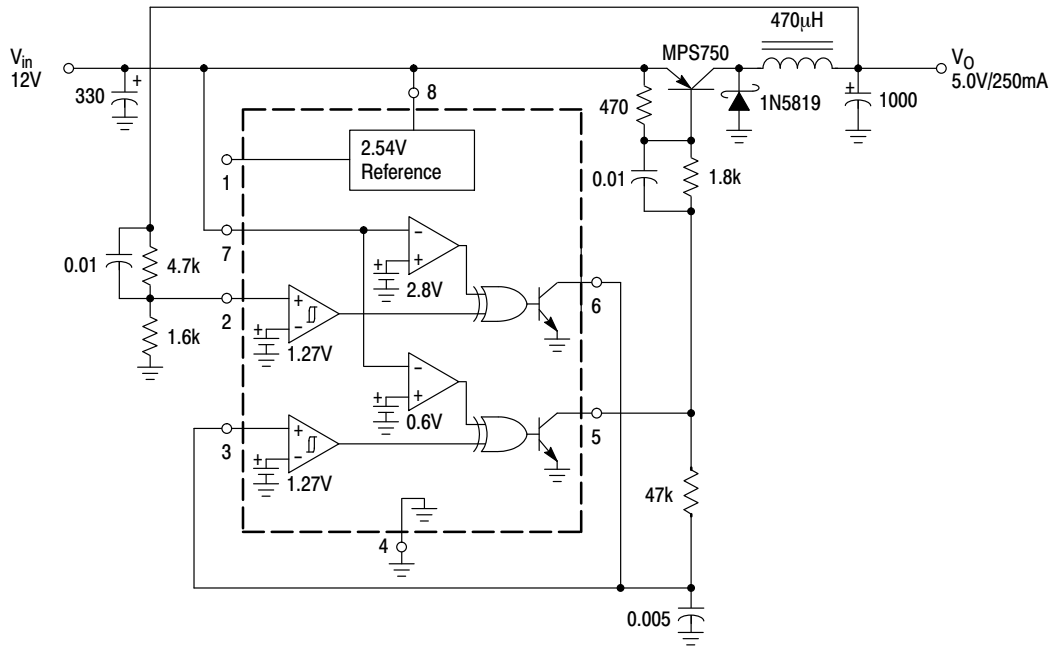
# MC34161, MC33161, NCV33161



The above circuit shows the MC34161 configured as an automatic line voltage selector. The IC controls the triac, enabling the circuit to function as a fullwave voltage doubler or a fullwave bridge. Channel 1 senses the negative half cycles of the AC line voltage. If the line voltage is less than 150 V, the circuit will switch from bridge mode to voltage doubling mode after a preset time delay. The delay is controlled by the 100 kΩ resistor and the 10 μF capacitor. If the line voltage is greater than 150 V, the circuit will immediately return to fullwave bridge mode.

**Figure 26. Automatic AC Line Voltage Selector**

# MC34161, MC33161, NCV33161



**Figure 27. Step-Down Converter**

Test	Conditions	Results
Line Regulation	$V_{in} = 9.5 \text{ V to } 24 \text{ V}, I_O = 250 \text{ mA}$	$40 \text{ mV} = \pm 0.1\%$
Load Regulation	$V_{in} = 12 \text{ V}, I_O = 0.25 \text{ mA to } 250 \text{ mA}$	$2.0 \text{ mV} = \pm 0.2\%$
Output Ripple	$V_{in} = 12 \text{ V}, I_O = 250 \text{ mA}$	$50 \text{ mVpp}$
Efficiency	$V_{in} = 12 \text{ V}, I_O = 250 \text{ mA}$	$87.8\%$

The above figure shows the MC34161 configured as a step-down converter. Channel 1 monitors the output voltage while Channel 2 performs the oscillator function. Upon initial powerup, the converters output voltage will be below nominal, and the output of Channel 1 will allow the oscillator to run. The external switch transistor will eventually pump-up the output capacitor until its voltage exceeds the input threshold of Channel 1. The output of Channel 1 will then switch low and disable the oscillator. The oscillator will commence operation when the output voltage falls below the lower threshold of Channel 1.

## MC34161, MC33161, NCV33161

### ORDERING INFORMATION

Device	Package	Shipping†
MC34161D	SOIC-8	98 Units/Rail
MC34161DG	SOIC-8 (Pb-Free)	
MC34161DR2	SOIC-8	2500/Tape & Reel
MC34161DR2G	SOIC-8 (Pb-Free)	
MC34161DMR2	Micro8	4000/Tape & Reel
MC34161DMR2G	Micro8 (Pb-Free)	
MC34161P	PDIP-8	50 Units/Rail
MC34161PG	PDIP-8 (Pb-Free)	
MC33161D	SOIC-8	98 Units/Rail
MC33161DG	SOIC-8 (Pb-Free)	
MC33161DR2	SOIC-8	2500/Tape & Reel
MC33161DR2G	SOIC-8 (Pb-Free)	
MC33161DMR2	Micro8	4000/Tape & Reel
MC33161DMR2G	Micro8 (Pb-Free)	
MC33161P	PDIP-8	50 Units/Rail
MC33161PG	PDIP-8 (Pb-Free)	
NCV33161DR2*	SOIC-8	2500/Tape & Reel
NCV33161DR2G*	SOIC-8 (Pb-Free)	

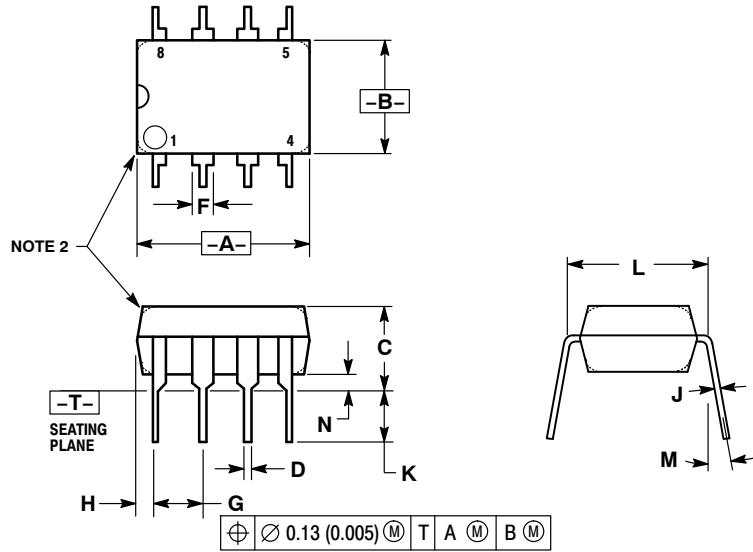
†For information on tape and reel specifications, including part orientation and tape sizes, please refer to our Tape and Reel Packaging Specifications Brochure, BRD8011/D.

\*NCV: T<sub>low</sub> = -40°C, T<sub>high</sub> = +125°C. Guaranteed by design. NCV prefix is for automotive and other applications requiring site and control changes.

# MC34161, MC33161, NCV33161

## PACKAGE DIMENSIONS

PDIP-8  
CASE 626-05  
ISSUE L



- NOTES:
1. DIMENSION L TO CENTER OF LEAD WHEN FORMED PARALLEL.
  2. PACKAGE CONTOUR OPTIONAL (ROUND OR SQUARE CORNERS).
  3. DIMENSIONING AND TOLERANCING PER ANSI Y14.5M, 1982.

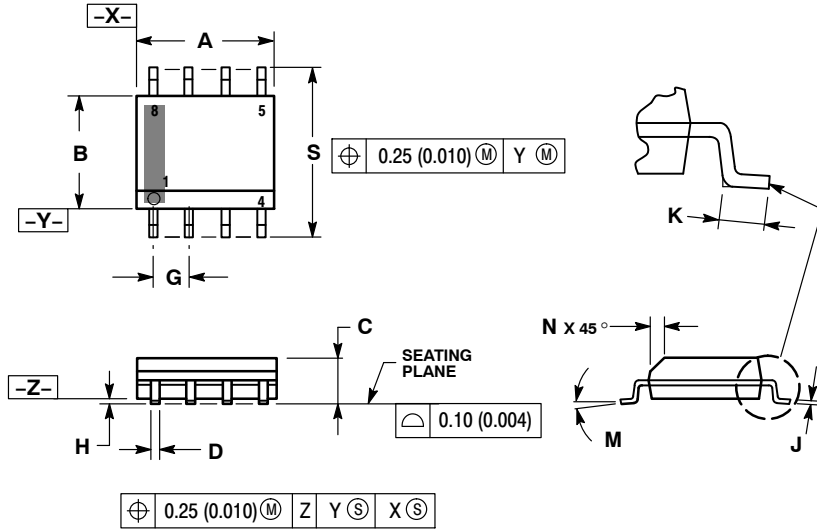
DIM	MILLIMETERS		INCHES	
	MIN	MAX	MIN	MAX
A	9.40	10.16	0.370	0.400
B	6.10	6.60	0.240	0.260
C	3.94	4.45	0.155	0.175
D	0.38	0.51	0.015	0.020
F	1.02	1.78	0.040	0.070
G	2.54 BSC		0.100 BSC	
H	0.76	1.27	0.030	0.050
J	0.20	0.30	0.008	0.012
K	2.92	3.43	0.115	0.135
L	7.62 BSC		0.300 BSC	
M	---	10°	---	10°
N	0.76	1.01	0.030	0.040



# MC34161, MC33161, NCV33161

## PACKAGE DIMENSIONS

SOIC-8 NB  
CASE 751-07  
ISSUE AJ

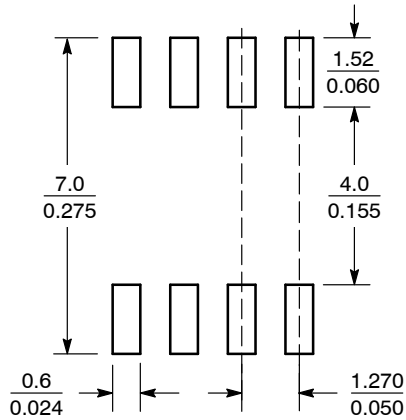


NOTES:

1. DIMENSIONING AND TOLERANCING PER ANSI Y14.5M, 1982.
2. CONTROLLING DIMENSION: MILLIMETER.
3. DIMENSION A AND B DO NOT INCLUDE MOLD PROTRUSION.
4. MAXIMUM MOLD PROTRUSION 0.15 (0.006) PER SIDE.
5. DIMENSION D DOES NOT INCLUDE DAMBAR PROTRUSION. ALLOWABLE DAMBAR PROTRUSION SHALL BE 0.127 (0.005) TOTAL IN EXCESS OF THE D DIMENSION AT MAXIMUM MATERIAL CONDITION.
6. 751-01 THRU 751-06 ARE OBSOLETE. NEW STANDARD IS 751-07.

DIM	MILLIMETERS		INCHES	
	MIN	MAX	MIN	MAX
A	4.80	5.00	0.189	0.197
B	3.80	4.00	0.150	0.157
C	1.35	1.75	0.053	0.069
D	0.33	0.51	0.013	0.020
G	1.27 BSC		0.050 BSC	
H	0.10	0.25	0.004	0.010
J	0.19	0.25	0.007	0.010
K	0.40	1.27	0.016	0.050
M	0°	8°	0°	8°
N	0.25	0.50	0.010	0.020
S	5.80	6.20	0.228	0.244

### SOLDERING FOOTPRINT\*



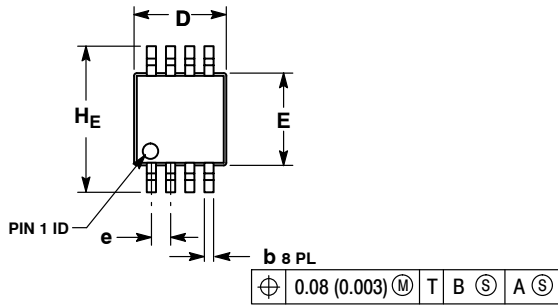
SCALE 6:1  $\left(\frac{\text{mm}}{\text{inches}}\right)$

\*For additional information on our Pb-Free strategy and soldering details, please download the ON Semiconductor Soldering and Mounting Techniques Reference Manual, SOLDERRM/D.

# MC34161, MC33161, NCV33161

## PACKAGE DIMENSIONS

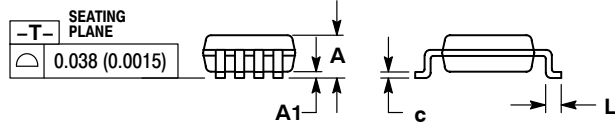
Micro8™  
CASE 846A-02  
ISSUE G



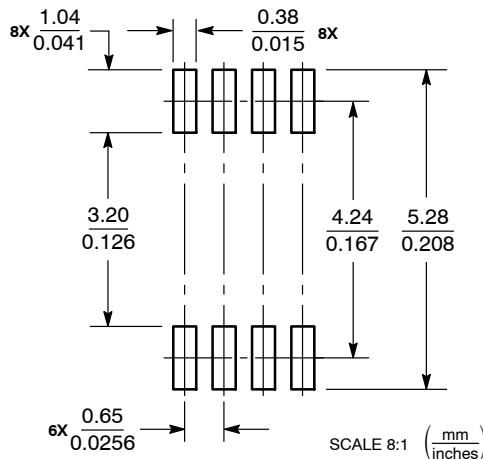
NOTES:

1. DIMENSIONING AND TOLERANCING PER ANSI Y14.5M, 1982.
2. CONTROLLING DIMENSION: MILLIMETER.
3. DIMENSION A DOES NOT INCLUDE MOLD FLASH, PROTRUSIONS OR GATE BURRS. MOLD FLASH, PROTRUSIONS OR GATE BURRS SHALL NOT EXCEED 0.15 (0.006) PER SIDE.
4. DIMENSION B DOES NOT INCLUDE INTERLEAD FLASH OR PROTRUSION. INTERLEAD FLASH OR PROTRUSION SHALL NOT EXCEED 0.25 (0.010) PER SIDE.
5. 846A-01 OBSOLETE, NEW STANDARD 846A-02.

DIM	MILLIMETERS			INCHES		
	MIN	NOM	MAX	MIN	NOM	MAX
A	--	--	1.10	--	--	0.043
A1	0.05	0.08	0.15	0.002	0.003	0.006
b	0.25	0.33	0.40	0.010	0.013	0.016
c	0.13	0.18	0.23	0.005	0.007	0.009
D	2.90	3.00	3.10	0.114	0.118	0.122
E	2.90	3.00	3.10	0.114	0.118	0.122
e	0.65 BSC			0.026 BSC		
L	0.40	0.55	0.70	0.016	0.021	0.028
HE	4.75	4.90	5.05	0.187	0.193	0.199



### SOLDERING FOOTPRINT\*



\*For additional information on our Pb-Free strategy and soldering details, please download the ON Semiconductor Soldering and Mounting Techniques Reference Manual, SOLDERRM/D.

Micro8 is a trademark of International Rectifier.

ON Semiconductor and are registered trademarks of Semiconductor Components Industries, LLC (SCILLC). SCILLC reserves the right to make changes without further notice to any products herein. SCILLC makes no warranty, representation or guarantee regarding the suitability of its products for any particular purpose, nor does SCILLC assume any liability arising out of the application or use of any product or circuit, and specifically disclaims any and all liability, including without limitation special, consequential or incidental damages. "Typical" parameters which may be provided in SCILLC data sheets and/or specifications can and do vary in different applications and actual performance may vary over time. All operating parameters, including "Typicals" must be validated for each customer application by customer's technical experts. SCILLC does not convey any license under its patent rights nor the rights of others. SCILLC products are not designed, intended, or authorized for use as components in systems intended for surgical implant into the body, or other applications intended to support or sustain life, or for any other application in which the failure of the SCILLC product could create a situation where personal injury or death may occur. Should Buyer purchase or use SCILLC products for any such unintended or unauthorized application, Buyer shall indemnify and hold SCILLC and its officers, employees, subsidiaries, affiliates, and distributors harmless against all claims, costs, damages, and expenses, and reasonable attorney fees arising out of, directly or indirectly, any claim of personal injury or death associated with such unintended or unauthorized use, even if such claim alleges that SCILLC was negligent regarding the design or manufacture of the part. SCILLC is an Equal Opportunity/Affirmative Action Employer. This literature is subject to all applicable copyright laws and is not for resale in any manner.

### PUBLICATION ORDERING INFORMATION

**LITERATURE FULFILLMENT:**  
Literature Distribution Center for ON Semiconductor  
P.O. Box 5163, Denver, Colorado 80217 USA  
**Phone:** 303-675-2175 or 800-344-3860 Toll Free USA/Canada  
**Fax:** 303-675-2176 or 800-344-3867 Toll Free USA/Canada  
**Email:** orderlit@onsemi.com

**N. American Technical Support:** 800-282-9855 Toll Free USA/Canada  
**Europe, Middle East and Africa Technical Support:**  
Phone: 421 33 790 2910  
**Japan Customer Focus Center**  
Phone: 81-3-5773-3850

**ON Semiconductor Website:** [www.onsemi.com](http://www.onsemi.com)  
**Order Literature:** <http://www.onsemi.com/orderlit>  
For additional information, please contact your local Sales Representative



## Стандарт Электрон Связь

Мы молодая и активно развивающаяся компания в области поставок электронных компонентов. Мы поставляем электронные компоненты отечественного и импортного производства напрямую от производителей и с крупнейших складов мира.

Благодаря сотрудничеству с мировыми поставщиками мы осуществляем комплексные и плановые поставки широчайшего спектра электронных компонентов.

Собственная эффективная логистика и склад в обеспечивает надежную поставку продукции в точно указанные сроки по всей России.

Мы осуществляем техническую поддержку нашим клиентам и предпродажную проверку качества продукции. На все поставляемые продукты мы предоставляем гарантию .

Осуществляем поставки продукции под контролем ВП МО РФ на предприятия военно-промышленного комплекса России , а также работаем в рамках 275 ФЗ с открытием отдельных счетов в уполномоченном банке. Система менеджмента качества компании соответствует требованиям ГОСТ ISO 9001.

Минимальные сроки поставки, гибкие цены, неограниченный ассортимент и индивидуальный подход к клиентам являются основой для выстраивания долгосрочного и эффективного сотрудничества с предприятиями радиоэлектронной промышленности, предприятиями ВПК и научно-исследовательскими институтами России.

С нами вы становитесь еще успешнее!

### Наши контакты:

**Телефон:** +7 812 627 14 35

**Электронная почта:** [sales@st-electron.ru](mailto:sales@st-electron.ru)

**Адрес:** 198099, Санкт-Петербург,  
Промышленная ул, дом № 19, литера Н,  
помещение 100-Н Офис 331