

## PCI Express® 2.0, 1-Lane, 2:1 Mux/DeMux Switch w/ Single Enable

### Features

- 2 Differential Channel, 2:1 Mux/DeMux
- PCI Express® 2.0 performance, 5.0 Gbps
- Bi-directional operation
- Low Bit-to-Bit Skew, 7ps
- Low Crosstalk: -38dB@2.5GHz
- Low Off Isolation: -25dB@2.5GHz
- V<sub>DD</sub> Operating Range: 1.5V to 1.8V ±10%
- ESD Tolerance: 2kV
- Packaging: – 28-contact TQFN (3.5 × 5.5mm)

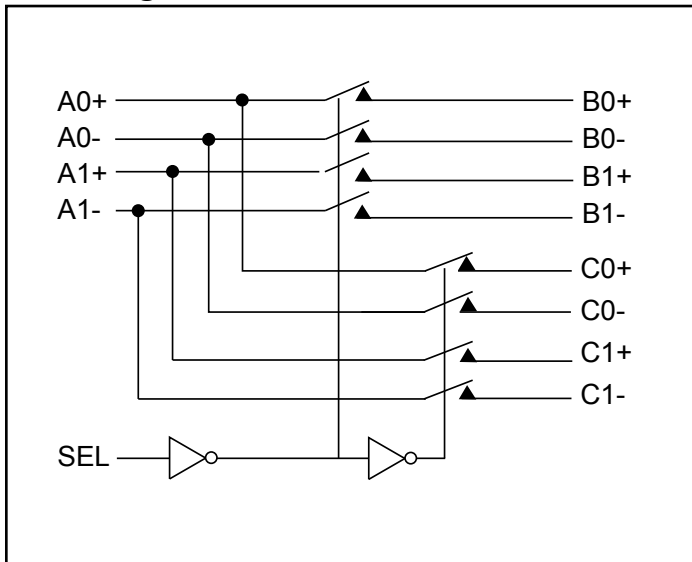
### Description

Pericom Semiconductor’s PI2PCIE2212 is a 4 to 2 differential, bi-directional channel multiplexer/demultiplexer switch. Due to its low bit-to-bit skew, high channel-to-channel noise isolation and bandwidth, this product is ideal for PCI Express® 2.0 signal switching at 5.0Gbps.

### Application

Switch a PCI Express® lane output between two PCI Express lane inputs

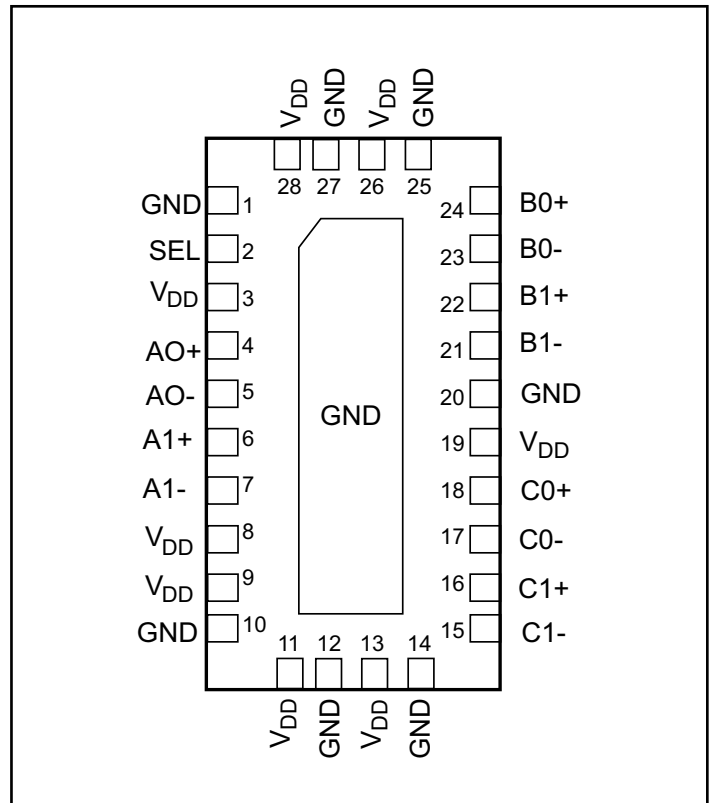
### Block Diagram



### Truth Table

Function	SEL
A to B	L
A to C	H

### Pin Description (Top-Side View)



### Maximum Ratings

(Above which useful life may be impaired. For user guidelines, not tested.)

Storage Temperature .....	-65°C to +150°C
Supply Voltage to Ground Potential .....	-0.5V to +2.5V
DC Input Voltage .....	-0.5V to +V <sub>DD</sub>
DC Output Current .....	120mA
Power Dissipation .....	0.5W

**Note:** Stresses greater than those listed under MAXIMUM RATINGS may cause permanent damage to the device. This is a stress rating only and functional operation of the device at these or any other conditions above those indicated in the operational sections of this specification is not implied. Exposure to absolute maximum rating conditions for extended periods may affect reliability.

### Power Supply Characteristics

Parameters	Description	Test Conditions	Min.	Typ. <sup>(1)</sup>	Max.	Units
I <sub>DD</sub>	Quiescent Power Supply Current	V <sub>DD</sub> = Max., V <sub>IN</sub> = GND or V <sub>DD</sub>			400	μA

**Notes:**

1. Typical values are at V<sub>DD</sub> = 1.8V, T<sub>A</sub> = 25°C ambient and maximum loading.

### DC Electrical Characteristics (T<sub>A</sub> = -40°C to +85°C, V<sub>DD</sub> = 1.5V to 1.8V ±10%)

Parameter	Description	Test Conditions	Min.	Typ. <sup>(1)</sup>	Max.	Units
V <sub>IH</sub>	Input HIGH Voltage Control Input, SEL	Guaranteed HIGH level	0.65 x V <sub>DD</sub>	-	-	V
V <sub>IL</sub>	Input LOW Voltage Control Input, SEL	Guaranteed LOW level	-0.5	-	0.35 x V <sub>DD</sub>	
V <sub>IK</sub>	Clamp Diode Voltage Control Input, SEL	V <sub>DD</sub> = Max., I <sub>IN</sub> = -18mA	-	-0.7	-1.2	
I <sub>IH</sub>	Input HIGH Current Control Input, SEL	V <sub>DD</sub> = Max., V <sub>IN</sub> = V <sub>DD</sub>	-	-	±5	μA
I <sub>IL</sub>	Input LOW Current Control Input, SEL	V <sub>DD</sub> = Max., V <sub>IN</sub> = GND	-	-	±5	
V <sub>IDC</sub>	DC Signal Voltage Range, Channel I/O (Ax, Bx, Cx)	V <sub>O</sub> /V <sub>I</sub> > 95%, R <sub>L</sub> = 10K	-0.4		2.4	V
		V <sub>O</sub> /V <sub>I</sub> > 80%, R <sub>L</sub> = 50-ohms	-0.3		2.0	

**Notes:**

1. Typical values are at V<sub>DD</sub> = 1.8V, T<sub>A</sub> = 25°C ambient and maximum loading.

### Dynamic Electrical Characteristics<sup>(2)</sup> (T<sub>A</sub> = -40° to +85°C, V<sub>DD</sub> = 1.5V to 1.8V ±10%)

Parameter	Description	Test Conditions	Min.	Typ. <sup>(1)</sup>	Max.	Units
X <sub>TALK</sub>	Crosstalk	f = 2.5 GHz		-38		dB
O <sub>IRR</sub>	OFF Isolation	f = 2.5 GHz		-25		
I <sub>LOSS</sub>	Differential Insertion Loss	f = 2.5 GHz		-2.0		
BW	Bandwidth -3dB			3.8		GHz
V <sub>If</sub>	Max Signal Frequency Range	Insertion loss 1.5 dB, V <sub>IN</sub> = 0.6Vpp, DC = 0V	2.5			
		Insertion loss 1.5 dB, V <sub>IN</sub> = 0.6Vpp, DC = 0.9V	2.5			
		Insertion loss 3.0 dB, V <sub>IN</sub> = 0.6Vpp, DC = 0V	4.0			
		Insertion loss 3.0 dB, V <sub>IN</sub> = 0.6Vpp, DC = 0.9V	4.0			
P-1dB	1 dB Compression Input Signal	RL = 50, f = 625MHz, Sinewave, DC = 0V	1.2			Vpp
		RL = 50, f = 625MHz, Sinewave, DC = 0.45V	2.0			
		RL = 50, f = 625MHz, Sinewave, DC = 0.9V	2.4			

**Notes:**

1. Typical values are at V<sub>DD</sub> = 1.8V, T<sub>A</sub> = 25°C ambient and maximum loading.
2. Guaranteed by design.

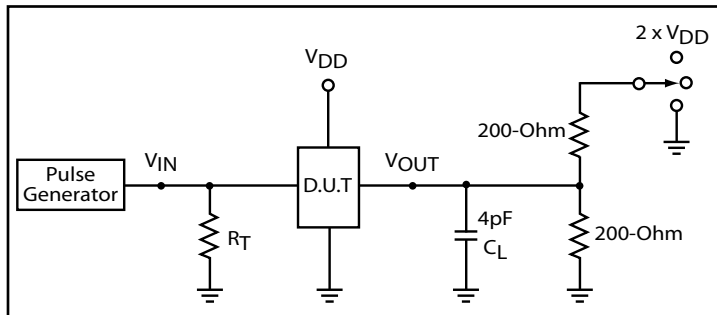
**Switching Characteristics** ( $T_A = -40^\circ$  to  $+85^\circ\text{C}$ ,  $V_{DD} = 1.5\text{V}$  to  $1.8\text{V} \pm 10\%$ )

Parameter	Description	Min.	Typ. <sup>(1)</sup>	Max.	Units
$t_{PZH}$ , $t_{PZL}$	Line Enable Time - SEL to $A_N$ , $B_N$ , $C_N$	0.5	-	8.0	ns
$t_{PHZ}$ , $t_{PLZ}$	Line Disable Time - SEL to $A_N$ , $B_N$ , $C_N$	0.5	-	8.0	
$t_{b-b}$	Bit-to-bit skew within the same differential pair			15	ps
$t_{ch-ch}$	Channel-to-channel skew			20	

**Note:**

1. Typical values are at  $V_{DD} = 1.8\text{V}$ ,  $T_A = 25^\circ\text{C}$  ambient and maximum loading.

**Test Circuit for Electrical Characteristics<sup>(1-5)</sup>**



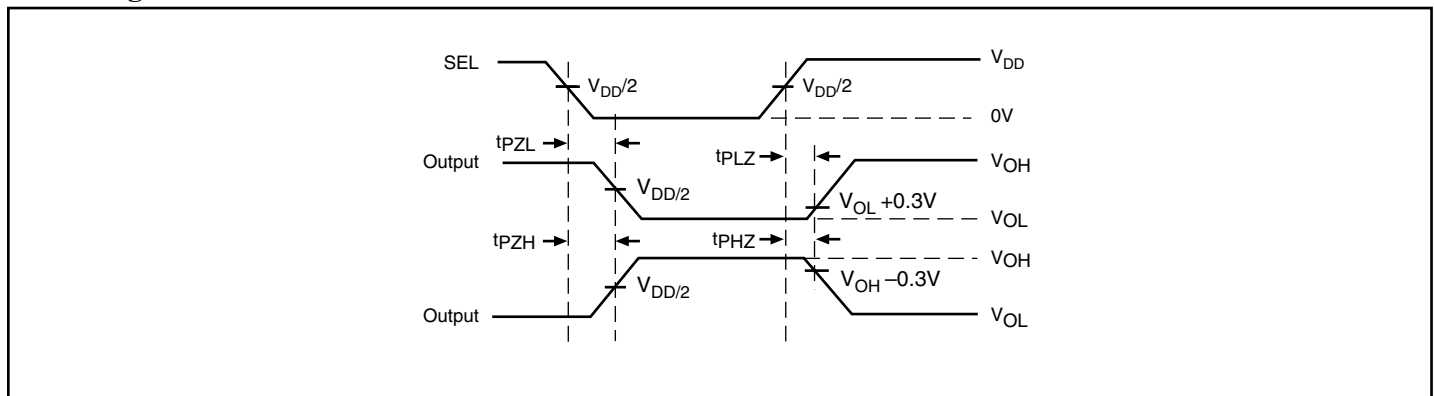
**Switch Positions**

Test	Switch
$t_{PLZ}$ , $t_{PZL}$	$2 \times V_{DD}$
$t_{PHZ}$ , $t_{PZH}$	GND
Prop Delay	Open

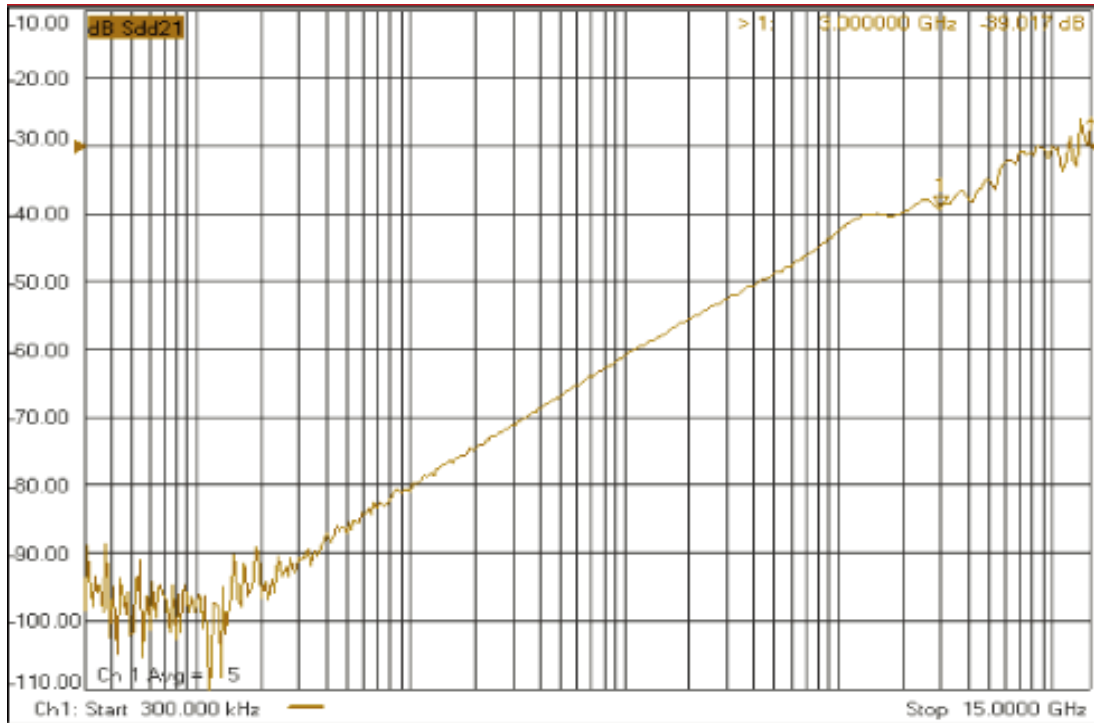
**Notes:**

1.  $C_L$  = Load capacitance: includes jig and probe capacitance.
2.  $R_T$  = Termination resistance: should be equal to  $Z_{OUT}$  of the Pulse Generator
3. Output 1 is for an output with internal conditions such that the output is low except when disabled by the output control.  
 output 2 is for an output with internal conditions such that the output is high except when disabled by the output control.
4. All input impulses are supplied by generators having the following characteristics:  $PRR \leq \text{MHz}$ ,  $Z_O = 50\Omega$ ,  $t_r \leq 2.5\text{ns}$ ,  $t_f \leq 2.5\text{ns}$ .
5. The outputs are measured one at a time with one transition per measurement.

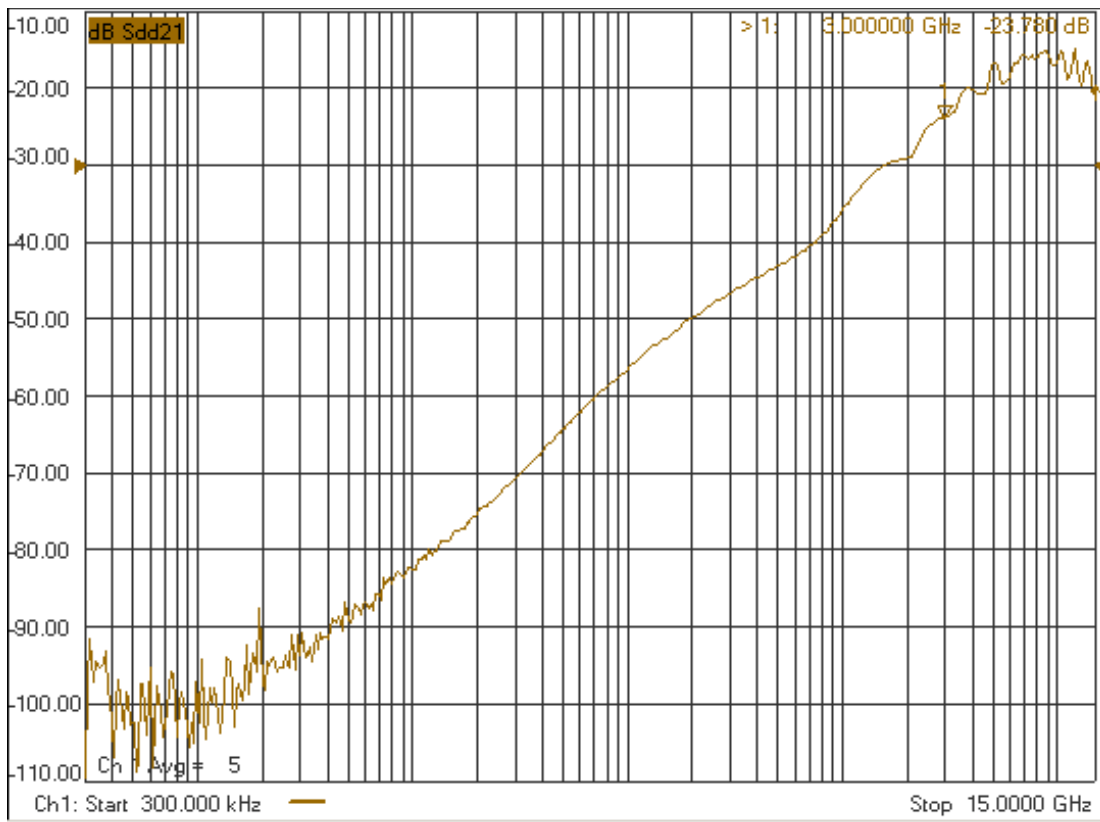
**Switching Waveforms**



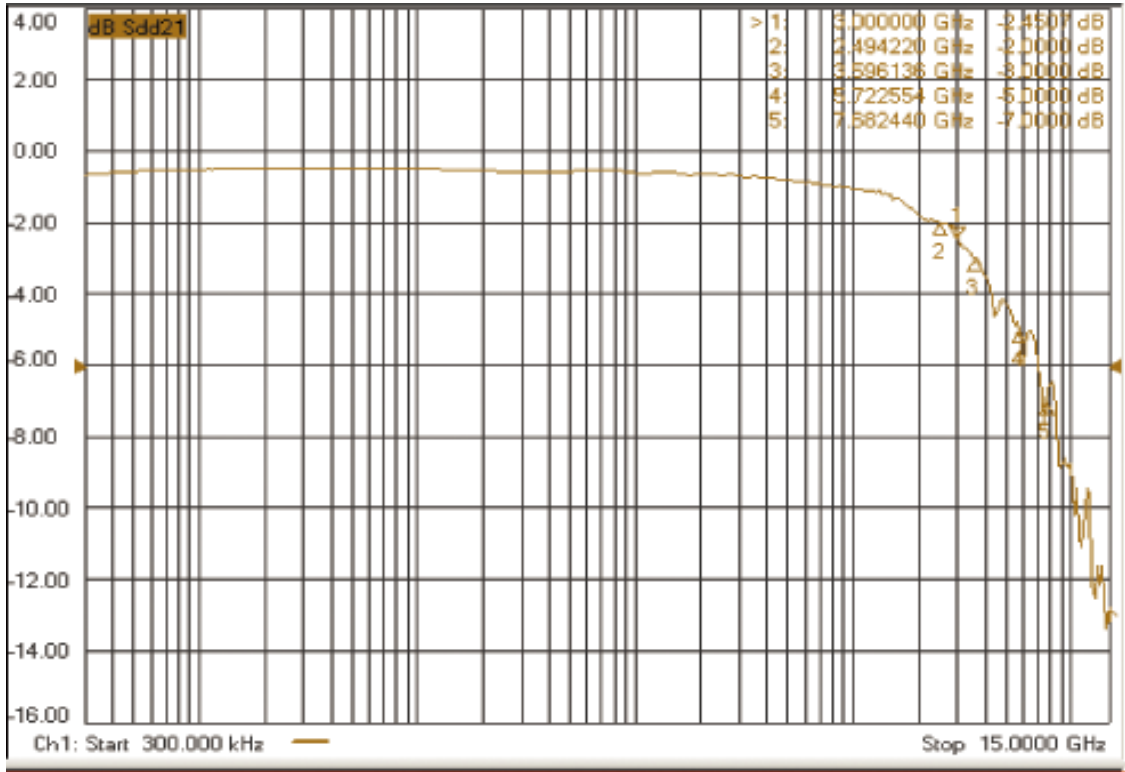
**Voltage Waveforms Enable and Disable Times**



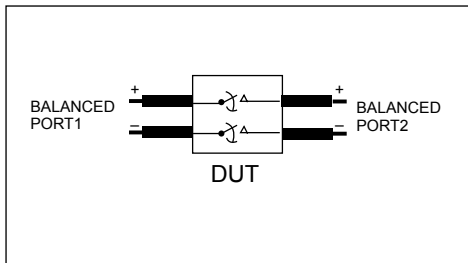
**Crosstalk**



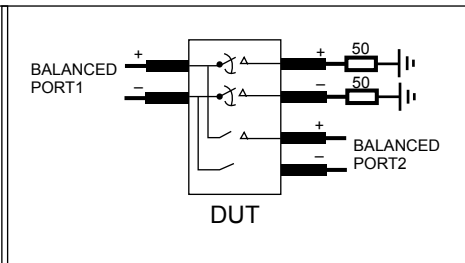
**Off Isolation**



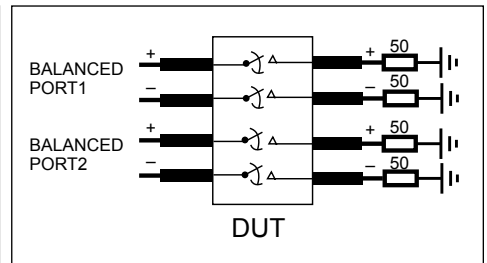
**Insertion Loss**



**Diff. Insertion Loss and Return Test Circuit**

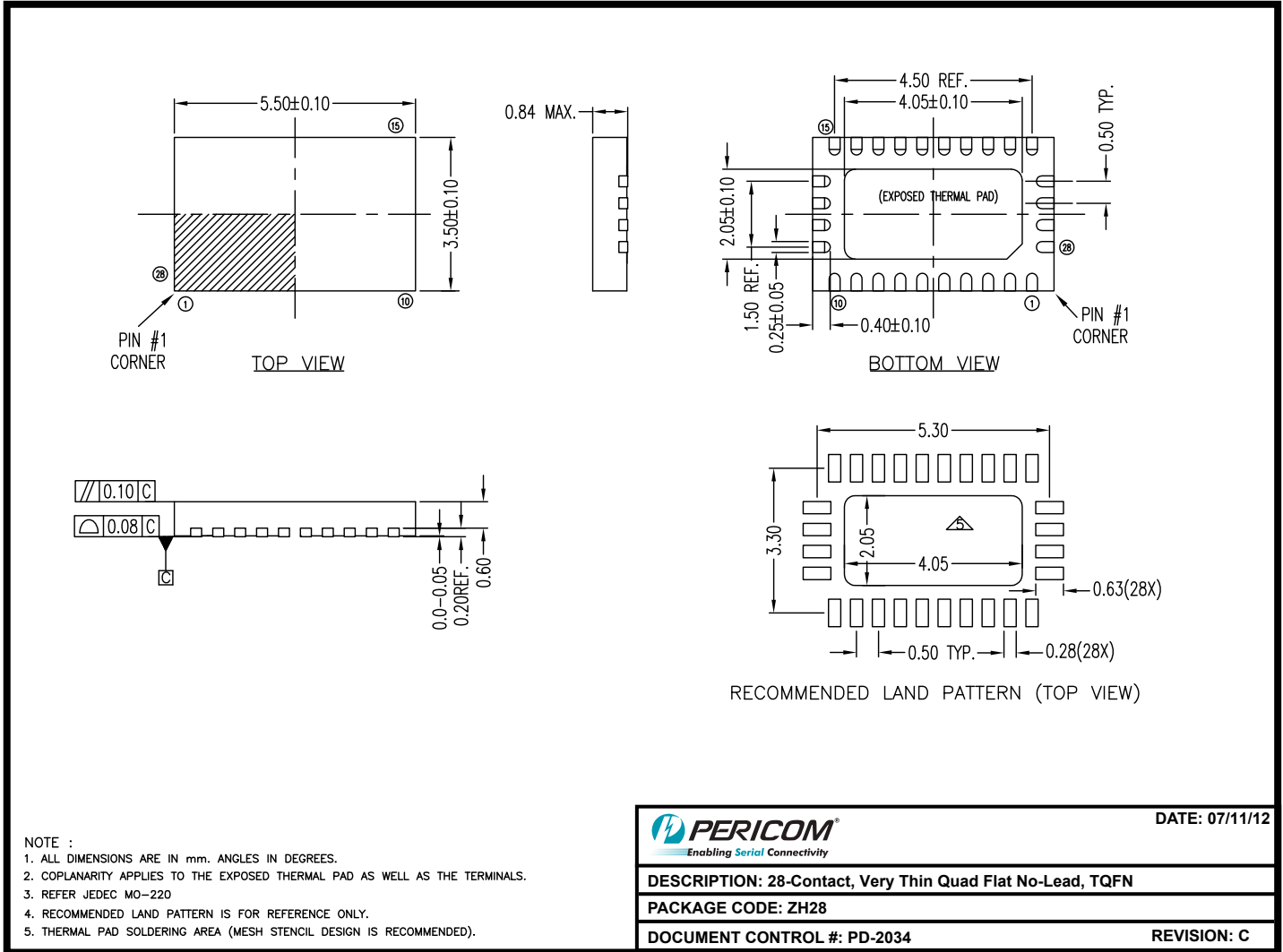


**Diff. Off Isolation Test Circuit**



**Diff. Near End Xtalk Test Circuit**

**Packaging Mechanical: 28-Pin TQFN (ZH)**



12-0419

**Note:**

- For latest package info, please check: <http://www.pericom.com/products/packaging/mechanicals.php>

**Ordering Information**

Ordering Code	Package Code	Package Type
PI2PCIE2212ZHEX	ZH	28-contact, Very Thin Quad Flat No-Lead (TQFN)

**Notes:**

- Thermal characteristics can be found on the company web site at [www.pericom.com/packaging/](http://www.pericom.com/packaging/)
- E = Pb-free and Green
- Adding an X suffix = Tape/Reel

# Mouser Electronics

Authorized Distributor

Click to View Pricing, Inventory, Delivery & Lifecycle Information:

[Diodes Incorporated:](#)

[PI2PCIE2212ZHE](#) [PI2PCIE2212ZHEX](#)



## Стандарт Электрон Связь

Мы молодая и активно развивающаяся компания в области поставок электронных компонентов. Мы поставляем электронные компоненты отечественного и импортного производства напрямую от производителей и с крупнейших складов мира.

Благодаря сотрудничеству с мировыми поставщиками мы осуществляем комплексные и плановые поставки широчайшего спектра электронных компонентов.

Собственная эффективная логистика и склад в обеспечивает надежную поставку продукции в точно указанные сроки по всей России.

Мы осуществляем техническую поддержку нашим клиентам и предпродажную проверку качества продукции. На все поставляемые продукты мы предоставляем гарантию .

Осуществляем поставки продукции под контролем ВП МО РФ на предприятия военно-промышленного комплекса России , а также работаем в рамках 275 ФЗ с открытием отдельных счетов в уполномоченном банке. Система менеджмента качества компании соответствует требованиям ГОСТ ISO 9001.

Минимальные сроки поставки, гибкие цены, неограниченный ассортимент и индивидуальный подход к клиентам являются основой для выстраивания долгосрочного и эффективного сотрудничества с предприятиями радиоэлектронной промышленности, предприятиями ВПК и научно-исследовательскими институтами России.

С нами вы становитесь еще успешнее!

### Наши контакты:

**Телефон:** +7 812 627 14 35

**Электронная почта:** [sales@st-electron.ru](mailto:sales@st-electron.ru)

**Адрес:** 198099, Санкт-Петербург,  
Промышленная ул, дом № 19, литера Н,  
помещение 100-Н Офис 331