

Features

- Virtually infinite electrical circuit isolation
- Metal or plastic shaft options
- DPST and DPDT switch options
- RoHS compliant*

Model 97 & 99 - 5/8" Square Single-Turn Panel Control with Rotary Switch

Potentiometer Specifications

| Initial Electrical Characteristics ¹ | Conductive Plastic Element | Cermet Element |
|--|---|---------------------------------------|
| Standard Resistance Range | | |
| Linear Tapers (A, B, E, & H)..... | (B & E) 1 K ohms to 1 megohm..... | (A & H) 100 ohms to 1 megohm |
| Audio Tapers (C, D, F, G, S, & T)..... | (D, G, S, & T) 1 K ohms to 1 megohm | (C & F) 1 K ohms to 1 megohm |
| Total Resistance Tolerance..... | 10 % or 20 %..... | 5% or 10% |
| Independent Linearity..... | ±5 %..... | ±5 % |
| Absolute Minimum Resistance..... | 2 ohms maximum..... | 2 ohms maximum |
| Effective Electrical Angle..... | (Linear tapers) 240 ° ± 5 ° | (Linear tapers) 240 ° ± 6 ° |
| | (Audio tapers) 225 ° ± 5 ° | (Audio tapers) 225 ° ± 6 ° |
| Contact Resistance Variation..... | ±1 %..... | ±1 % or 3 ohms (whichever is greater) |
| Dielectric Withstanding Voltage (MIL-STD-202, Method 301) | | |
| Sea Level..... | 1,500 VAC minimum..... | 1,500 VAC minimum |
| 70,000 Feet..... | 500 VAC minimum..... | 500 VAC minimum |
| Insulation Resistance (500 VDC)..... | | |
| | 1,000 megohms minimum..... | 1,000 megohms minimum |
| Power Rating (Voltage Limited By Power Dissipation or 350 VAC, Whichever Is Less) | | |
| +70 °C Single Section Assembly..... | (Linear tapers) 1 watt | (Linear tapers) 2 watts |
| | (Audio tapers) 0.5 watt | (Audio tapers) 1 watt |
| +70 °C Multiple Section Assembly..... | (Linear tapers) 0.5 watt/section | (Linear tapers) 1 watt/section |
| | (Audio tapers) 0.25 watt/section..... | (Audio tapers) 0.5 watt/section |
| +125 °C..... | 0 watt..... | 0 watt |
| Theoretical Resolution..... | Essentially infinite..... | Essentially infinite |

Environmental Characteristics¹

| | | |
|---|--|-------------------------------|
| Operating Temperature Range..... | -40 °C to +125 °C..... | -40 °C to +125 °C |
| Storage Temperature Range..... | -55 °C to +125 °C..... | -55 °C to +125 °C |
| Temperature Coefficient Over Storage | | |
| Temperature Range..... | ±1,000 ppm/°C..... | ±150 ppm/°C |
| Vibration (Single Section) | | |
| Total Resistance Shift..... | 15 G..... | 15 G |
| Voltage Ratio Shift..... | ±2 % maximum | ±2 % maximum |
| | ±5 % maximum | ±5 % maximum |
| Shock (Single Section)..... | | |
| Total Resistance Shift..... | 30 G..... | 30 G |
| Voltage Ratio Shift..... | ±2 % maximum | ±2 % maximum |
| | ±5 % maximum | ±5 % maximum |
| Load Life..... | | |
| Total Resistance Shift..... | 1,000 hours | 1,000 hours |
| | ±10 % maximum | ±5 % maximum |
| Rotational Life (No Load)..... | | |
| Total Resistance Shift..... | 100,000 cycles | 100,000 cycles |
| | (Linear tapers) 10 ohms or ±15 % TRS max. | (All tapers) ±5 % TRS max. |
| | (whichever is greater) | |
| | (Audio tapers) ±20 % maximum | |
| Contact Resistance Variation | | |
| @ 50,000 cycles..... | (Linear tapers) ±2 %..... | ±2 % |
| | (Audio tapers) ±3 % | ±3 % |
| Moisture Resistance (MIL-STD-202, Method 103, Condition B) | | |
| Total Resistance Shift..... | (Linear tapers) ±10 % TRS maximum | (All tapers) ±5 % TRS maximum |
| | (Audio tapers) ±20 % TRS maximum | |
| Insulation Resistance (500 VDC)..... | | |
| | 100 megohms minimum..... | 100 megohms minimum |
| IP Rating..... | IP 40 | IP 40 |

Model 97 & 99 - 5/8" Square Single-Turn Panel Control with Rotary Switch

BOURNS®

Potentiometer Specifications

Mechanical Characteristics¹

| | |
|---|---|
| Stop Strength (1/4" D shaft)..... | 45.19 N-cm (4 lb.-in.) |
| (1/8" D shaft) | 33.89 N-cm (3 lb.-in.) |
| Mechanical Angle | 300° ±5° |
| Torque | |
| Starting | 0.3 max. above average running torque |
| Running Torque | |
| Single or Dual Section (A & R Bushings)..... | 0.21 to 1.06 N-cm (0.3 to 1.5 oz.-in.) |
| Single or Dual Section (C & U Bushings) | 0.14 to 1.06 N-cm (0.2 to 1.5 oz.-in.) |
| Mounting..... | 1.7-2.0 N-m (15-18 lb.-in.) maximum |
| Variation..... | 0.35 N-cm (0.5 oz.-in.) maximum in 45° shaft travel |
| Weight (Single Section, Metal Bushing) | 12.7 grams nominal |
| (Each Additional Section) | 4 grams nominal |
| Terminals | Printed circuit terminals, J-Hooks or solder lugs |
| Soldering Condition | Recommended hand soldering using Sn95/Ag5 no clean solder, 0.025" wire diameter. Maximum temperature 399 °C (750 °F) for 3 seconds. No wash process to be used with no clean flux. |
| Marking..... | Manufacturer's trademark, date code, resistance, manufacturer's part number |
| Ganging (Multiple Section Potentiometers) | 2 cups maximum |
| Hardware..... | One lockwasher and one mounting nut is shipped with each potentiometer, except where noted in the part number. |

NOTE: Performance specifications do not apply to units subjected to printed circuit board cleaning procedures.

¹At room ambient: +25 °C nominal and 50 % relative humidity nominal, except as noted.

Model 97 & 99 - 5/8" Square Single-Turn Panel Control with Rotary Switch

BOURNS®

Rotary Switch Specifications

Initial Electrical Characteristics¹

| | |
|---|--|
| Contacts: | |
| DPST | N.O./N.O., N.C./N.C. or N.O./N.C. |
| DPDT | 2 N.O./N.C. (break before make) |
| Power Rating (Resistive Load): | |
| DPST | 2 A @ 125 volts RMS-60 Hz or 2 A @ 28 VDC, 1 A @ 250 volts RMS-60 Hz |
| DPDT | 1 A @ 125 volts RMS-60 Hz or 1 A @ 28 VDC |
| Contact Resistance (0.1 VDC-10 mA) | 10 milliohms nominal |
| Contact Bounce | 5 milliseconds maximum |
| Dielectric Withstanding Voltage (MIL-STD-202, Method 301) | |
| Sea Level | 1500 VAC minimum |
| Insulation Resistance | 1000 megohms minimum |

Environmental Characteristics¹

| | |
|---|--|
| Operating Temperature Range | 0 °C to +70 °C |
| Exposure Temperature Range | -65 °C to +125 °C |
| Vibration (Dual Section) | 8 G |
| Contact Resistance | 10 milliohms maximum |
| Contact Bounce | 0.1 millisecond maximum |
| Shock (Dual Section) | 20 G |
| Contact Resistance | 10 milliohms maximum |
| Contact Bounce | 0.1 millisecond maximum |
| Rotational Life | 25,000 cycles |
| Switch Actuating Torque (50% Duty cycle @ Rated Power Load) | 1.41 to 4.94 N-cm (2 to 7 oz.-in.) |
| Contact Resistance | 100 milliohms maximum |
| Moisture Resistance (MIL-STD-202, Method 106, Condition B) | |
| Contact Resistance (0.1 VDC-10 mA) | 10 milliohms maximum |
| Insulation Resistance (After 24 Hours @ Room Temperature) (500 VDC) | 100 megohms minimum |
| Housing Material | High temperature, flame retardant, thermosetting plastic |

Mechanical Characteristics¹

| | |
|--|--------------------------------------|
| Actuating Torque (Each Section, Switch Module Only) | 3.53 to 10.59 N-cm (5 to 15 oz.-in.) |
| Running Torque (Out of Detent, 2-4 Module Assembly) | 0.21 to 1.41 N-cm (0.3 to 2 oz.-in.) |
| Detent | CW or CCW standard |
| Actuation Angle | 20 ° ±5 ° |
| Contact Materials | Fine silver with gold overlay |
| Terminal Styles | Solder lug only |
| Standard Orientation | In-line with control terminals |
| Optional | Rotated 90 ° CCW from standard |
| Terminal Strength (Before and After Soldering Heat Exposure) | 0.9 kg (2 lbs.) minimum |

NOTE: Performance specifications do not apply to units subjected to printed circuit board cleaning procedures.

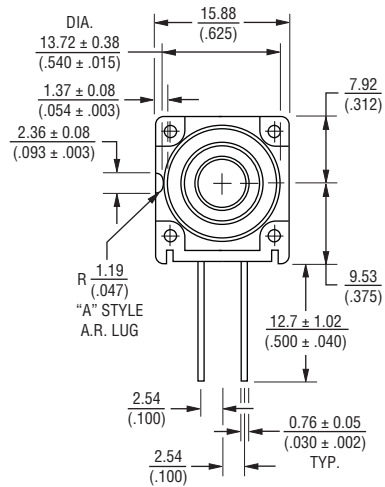
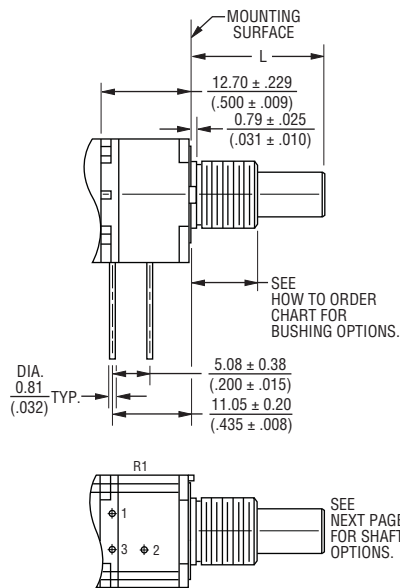
¹At room ambient: +25 °C nominal and 50 % relative humidity nominal, except as noted.

Model 97 & 99 - 5/8" Square Single-Turn Panel Control with Rotary Switch

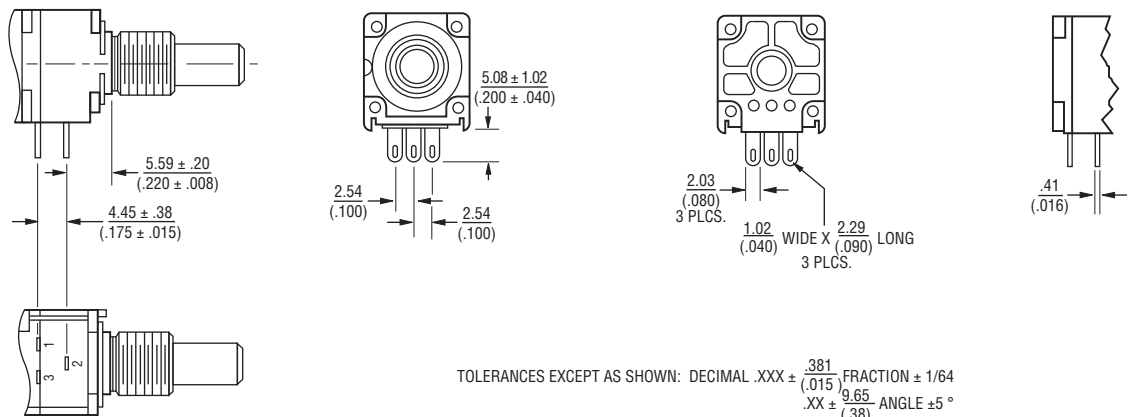
BOURNS®

Product Dimensions

Model 97 PC Pin Terminals, "L" Pattern



Model 99 Solder Lug Terminals, "Triangular" Pattern



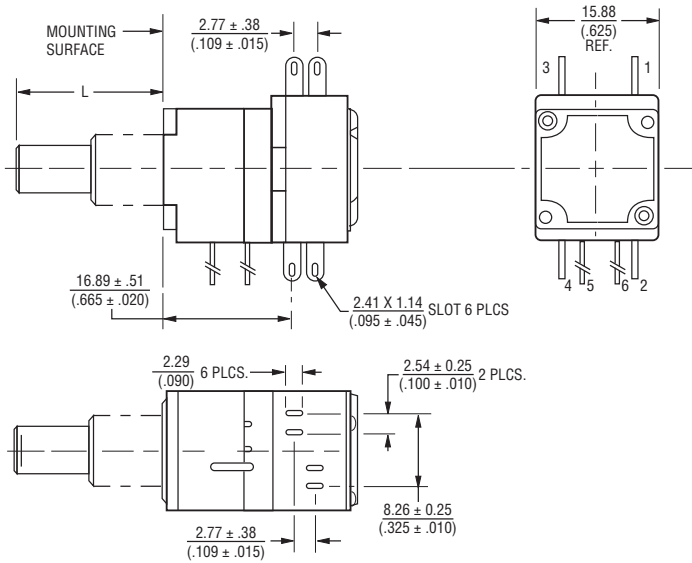
Specifications are subject to change without notice.
Customers should verify actual device performance in their specific applications.

Model 97 & 99 - 5/8" Square Single-Turn Panel Control with Rotary Switch

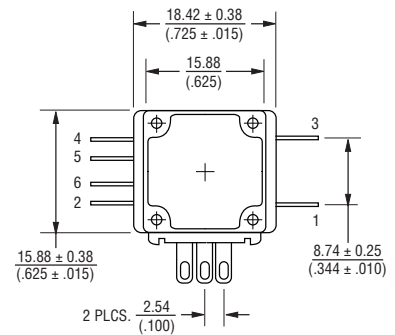


Product Dimensions

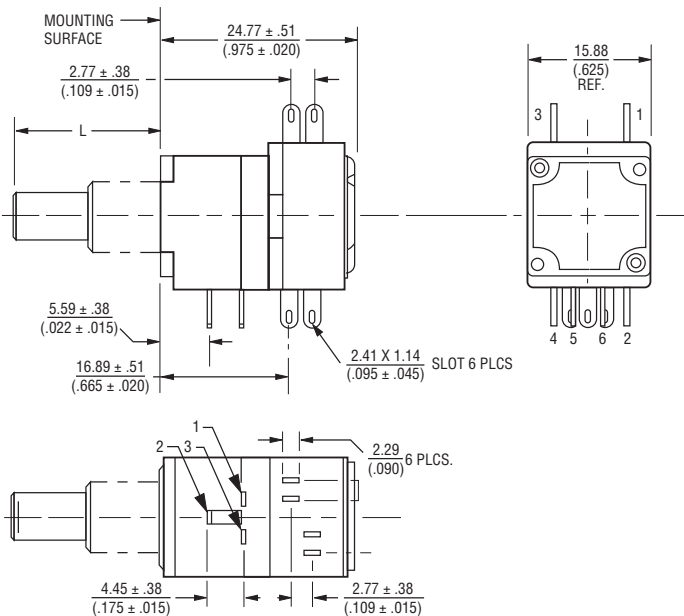
Model 97 (2nd Cup - Switch)



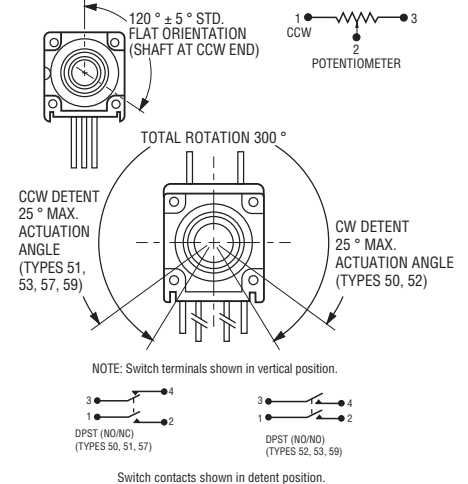
Horizontal Term. (Switch Types R57, R59)



Model 99 (2nd Cup - Switch)



Switch Module Variations Shaft Flat Orientation



TOLERANCES EXCEPT AS SHOWN: DECIMAL .XXX ± $\frac{.381}{.015}$ FRACTION ± 1/64
 .XX ± $\frac{9.65}{.38}$ ANGLE ± 5°

DIMENSIONS: $\frac{MM}{(INCHES)}$

Specifications are subject to change without notice.
 Customers should verify actual device performance in their specific applications.

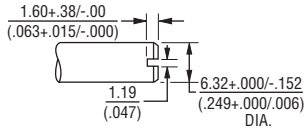
Model 97 & 99 - 5/8" Square Single-Turn Panel Control with Rotary Switch

BOURNS®

Product Dimensions

Plastic Shaft Styles

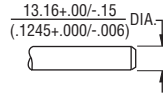
SHAFT TYPE "B" (USES BUSHING A)



STD. LENGTHS:

| | | | |
|-----------------|-----------------|-----------------|-----------------|
| 12.70 (.500) | 15.88 (.625) | 19.05 (.750) | 22.23 (.875) |
|-----------------|-----------------|-----------------|-----------------|

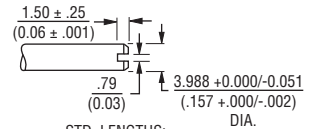
SHAFT TYPE "D" (USES BUSHING C)



STD. LENGTHS:

| | | |
|-----------------|-----------------|-----------------|
| 12.70 (.500) | 15.88 (.625) | 19.05 (.750) |
|-----------------|-----------------|-----------------|

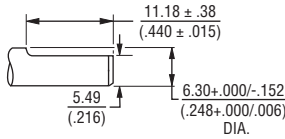
SHAFT TYPE "T" (USES BUSHING U)



STD. LENGTHS:

| | |
|----------------|----------------|
| 16.0 (.630) | 22.0 (.866) |
|----------------|----------------|

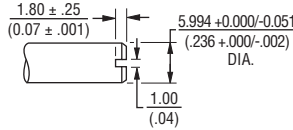
SHAFT TYPE "C" (USES BUSHING A)



STD. LENGTHS:

| | |
|-----------------|-----------------|
| 19.05 (.750) | 22.23 (.875) |
|-----------------|-----------------|

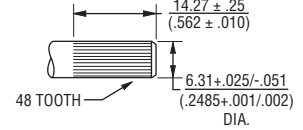
SHAFT TYPE "R" (USES BUSHING R)



STD. LENGTHS:

| | |
|----------------|----------------|
| 16.0 (.630) | 22.0 (.866) |
|----------------|----------------|

SHAFT TYPE "W" (USES BUSHING A)

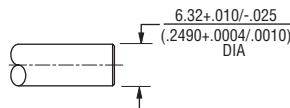


STD. LENGTHS:

| |
|-----------------|
| 25.40 (1.00) |
|-----------------|

Metal Shaft Styles

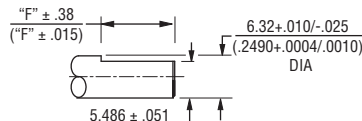
SHAFT TYPE "A" (USES BUSHING A)



STD. LENGTHS:

| | | | | |
|-----------------|-----------------|-----------------|-----------------|-----------------|
| 12.70 (.500) | 15.88 (.625) | 19.05 (.750) | 22.23 (.875) | 25.4 (1.000) |
|-----------------|-----------------|-----------------|-----------------|-----------------|

SHAFT TYPE "H" (USES BUSHING A)



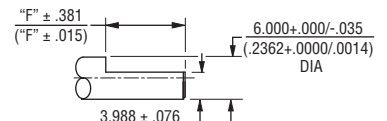
STD. LENGTHS:

| | |
|-----------------|-----------------|
| 19.05 (.750) | 22.23 (.875) |
|-----------------|-----------------|

FLAT LENGTH "F":

| | |
|----------------|-----------------|
| 7.95 (.313) | 11.13 (.438) |
|----------------|-----------------|

SHAFT TYPE "S" (USES BUSHING R)



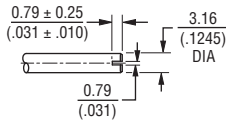
STD. LENGTHS:

| | |
|-----------------|-----------------|
| 19.05 (.750) | 22.23 (.875) |
|-----------------|-----------------|

FLAT LENGTH "F":

| | |
|----------------|-----------------|
| 9.98 (.393) | 12.98 (.511) |
|----------------|-----------------|

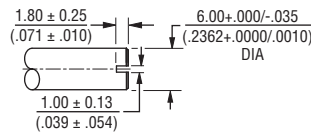
SHAFT TYPE "E" (USES BUSHING C)



STD. LENGTHS:

| | | |
|----------------|----------------|----------------|
| 12.0 (.500) | 16.0 (.625) | 19.0 (.750) |
|----------------|----------------|----------------|

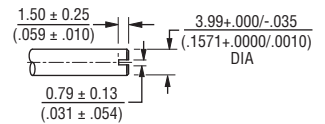
SHAFT TYPE "J" (USES BUSHING R)



STD. LENGTHS:

| | |
|----------------|----------------|
| 16.0 (.630) | 22.0 (.866) |
|----------------|----------------|

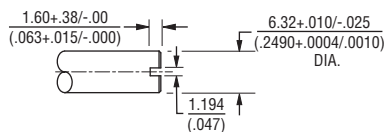
SHAFT TYPE "V" (USES BUSHING U)



STD. LENGTHS:

| | |
|-----------------|-----------------|
| 19.05 (.750) | 22.23 (.875) |
|-----------------|-----------------|

SHAFT TYPE "G" (USES BUSHING A)



STD. LENGTHS:

| | | | |
|-----------------|-----------------|-----------------|-----------------|
| 12.70 (.500) | 15.88 (.625) | 19.05 (.750) | 22.23 (.875) |
|-----------------|-----------------|-----------------|-----------------|

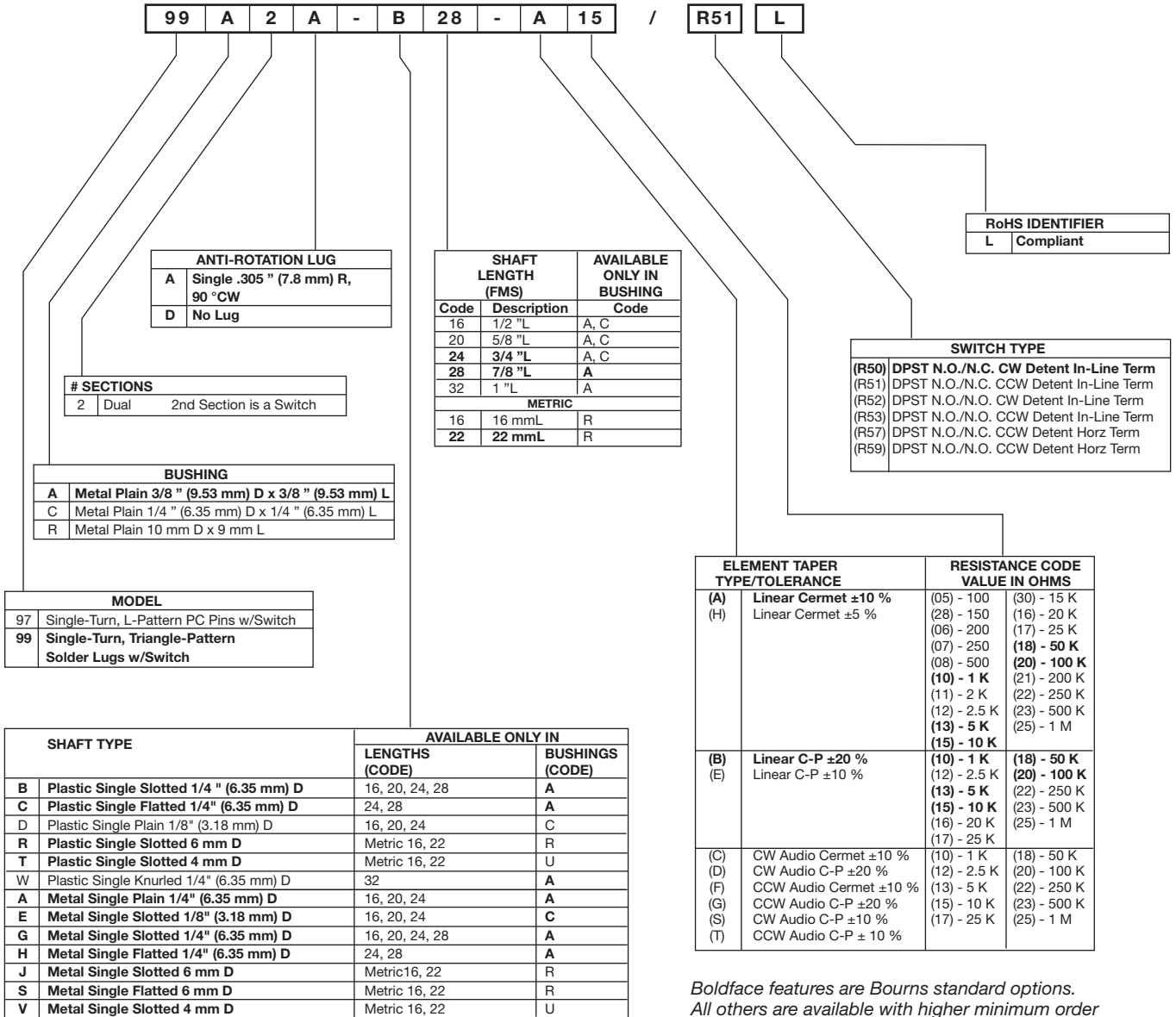
TOLERANCES EXCEPT AS SHOWN: .XX ± .02 (.050)
 .XXX ± .005 (.127)
 .XXXX ± .0005 (.0127)

DIMENSIONS: $\frac{\text{MM}}{\text{(INCHES)}}$

Specifications are subject to change without notice.
 Customers should verify actual device performance in their specific applications.

How to Order Model 97 & 99 Panel Controls

BOURNS®



| SHAFT TYPE | AVAILABLE ONLY IN | |
|--|-------------------|-----------------|
| | LENGTHS (CODE) | BUSHINGS (CODE) |
| B Plastic Single Slotted 1/4" (6.35 mm) D | 16, 20, 24, 28 | A |
| C Plastic Single Flatted 1/4" (6.35 mm) D | 24, 28 | A |
| D Plastic Single Plain 1/8" (3.18 mm) D | 16, 20, 24 | C |
| R Plastic Single Slotted 6 mm D | Metric 16, 22 | R |
| T Plastic Single Slotted 4 mm D | Metric 16, 22 | U |
| W Plastic Single Knurled 1/4" (6.35 mm) D | 32 | A |
| A Metal Single Plain 1/4" (6.35 mm) D | 16, 20, 24 | A |
| E Metal Single Slotted 1/8" (3.18 mm) D | 16, 20, 24 | C |
| G Metal Single Slotted 1/4" (6.35 mm) D | 16, 20, 24, 28 | A |
| H Metal Single Flatted 1/4" (6.35 mm) D | 24, 28 | A |
| J Metal Single Slotted 6 mm D | Metric 16, 22 | R |
| S Metal Single Flatted 6 mm D | Metric 16, 22 | R |
| V Metal Single Slotted 4 mm D | Metric 16, 22 | U |

| ELEMEN TAPER TYPE/TOLERANCE | | RESISTANCE CODE VALUE IN OHMS | |
|-----------------------------|--------------------------------------|-------------------------------|---------------------|
| (A) (H) | Linear Cermet ±10 % | (05) - 100 | (30) - 15 K |
| | Linear Cermet ±5 % | (28) - 150 | (16) - 20 K |
| (B) (E) | Linear C-P ±20 % Linear C-P ±10 % | (06) - 200 | (17) - 25 K |
| | | (07) - 250 | (18) - 50 K |
| | | (08) - 500 | (20) - 100 K |
| | | (10) - 1 K | (21) - 200 K |
| | | (11) - 2 K | (22) - 250 K |
| | | (12) - 2.5 K | (23) - 500 K |
| | | (13) - 5 K | (25) - 1 M |
| | | (15) - 10 K | |
| | | (10) - 1 K | (18) - 50 K |
| | | (12) - 2.5 K | (20) - 100 K |
| (13) - 5 K | (22) - 250 K | | |
| (15) - 10 K | (23) - 500 K | | |
| (16) - 20 K | (25) - 1 M | | |
| (17) - 25 K | | | |
| (C) | CW Audio Cermet ±10 % | (10) - 1 K | (18) - 50 K |
| (D) | CW Audio C-P ±20 % | (12) - 2.5 K | (20) - 100 K |
| (F) | CCW Audio Cermet ±10 % | (13) - 5 K | (22) - 250 K |
| (G) | CCW Audio C-P ±20 % | (15) - 10 K | (23) - 500 K |
| (S) | CW Audio C-P ±10 % | (17) - 25 K | (25) - 1 M |
| (T) | CCW Audio C-P ±10 % | | |

Boldface features are Bourns standard options. All others are available with higher minimum order quantities.



Стандарт Электрон Связь

Мы молодая и активно развивающаяся компания в области поставок электронных компонентов. Мы поставляем электронные компоненты отечественного и импортного производства напрямую от производителей и с крупнейших складов мира.

Благодаря сотрудничеству с мировыми поставщиками мы осуществляем комплексные и плановые поставки широчайшего спектра электронных компонентов.

Собственная эффективная логистика и склад в обеспечивает надежную поставку продукции в точно указанные сроки по всей России.

Мы осуществляем техническую поддержку нашим клиентам и предпродажную проверку качества продукции. На все поставляемые продукты мы предоставляем гарантию .

Осуществляем поставки продукции под контролем ВП МО РФ на предприятия военно-промышленного комплекса России , а также работаем в рамках 275 ФЗ с открытием отдельных счетов в уполномоченном банке. Система менеджмента качества компании соответствует требованиям ГОСТ ISO 9001.

Минимальные сроки поставки, гибкие цены, неограниченный ассортимент и индивидуальный подход к клиентам являются основой для выстраивания долгосрочного и эффективного сотрудничества с предприятиями радиоэлектронной промышленности, предприятиями ВПК и научно-исследовательскими институтами России.

С нами вы становитесь еще успешнее!

Наши контакты:

Телефон: +7 812 627 14 35

Электронная почта: sales@st-electron.ru

Адрес: 198099, Санкт-Петербург,
Промышленная ул, дом № 19, литера Н,
помещение 100-Н Офис 331