

LTC2492/LTC2488/LTC2486

2-/4-Channel 24-/16-Bit $\Delta\Sigma$ ADC

with Easy Drive Input Current Cancellation

DESCRIPTION

Demonstration circuit 1009A-A features the LTC[®]2492 2-/4-channel, 24-bit $\Delta\Sigma$ ADC with Easy Drive[™] inputs. Key DC specifications include 2ppm INL, 1ppm offset, 25ppm full-scale error and 10nV/°C offset drift. In the 6.8Hz/600nV_{RMS} mode, input normal mode rejection of 50Hz and 60Hz noise is better than 87dB. The LTC2492 also includes an internal temperature sensor that is accurate to 2°C over the operating temperature range.

Demonstration circuit 1009A-B features the LTC2488 2-/4-channel, 16-Bit ADC that is pinout and software compatible with the LTC2492.

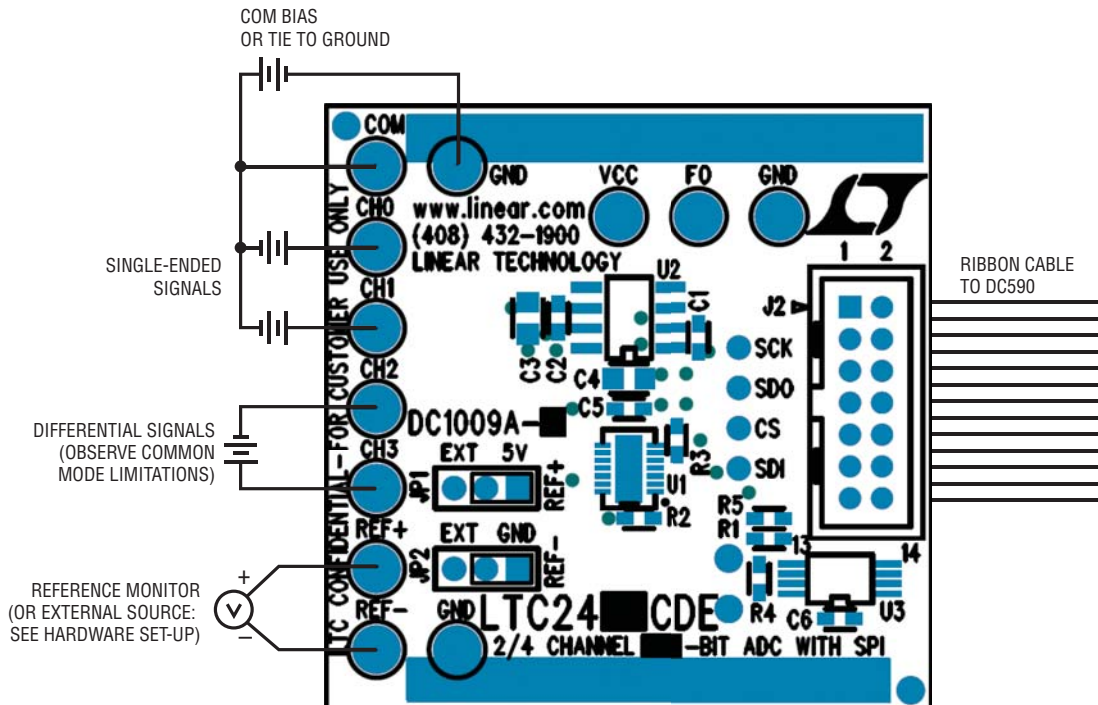
Demonstration circuit 1009A-C features the LTC2486 2-/4-channel 16-Bit ADC that also includes a PGA with a gain range from 1 to 256 and the same temperature sensor as the LTC2492.

DC1009 is a member of Linear Technology's QuikEval[™] family of demonstration boards. It is designed to allow easy evaluation of the LTC2492, LTC2488 or LTC2486. DC1009 may be connected directly to the target application's analog signals while using the DC590 USB serial controller board and supplied software to measure performance. After evaluating with LTC's software, the digital signals can be connected to the application's processor/controller for development of the serial interface.

Design files for this circuit board are available at <http://www.linear.com/demo>

LT, LT, LTC, LTM, μ Module, Linear Technology and the Linear logo are registered trademarks and Easy Drive and QuikEval are trademarks of Linear Technology Corporation. All other trademarks are the property of their respective owners.

BOARD PHOTO



dc1009af

QUICK START PROCEDURE

Connect the DC1009 to a DC590 USB serial controller using the supplied 14 conductor ribbon cable. Connect DC590 to the host PC with a standard USB A/B cable. Run the evaluation software supplied with DC590 or downloaded from www.linear.com/software. The correct program will be loaded automatically. Click the collect button to start reading the input voltage. The software allows for selecting the input channel, single-ended or differential mode and 50Hz/60Hz rejection settings. Selecting 2x speed located

at the bottom of the strip chart display will double the data output rate at the expense of offset accuracy (LTC2492 and LTC2486 only).

Tools are available for logging data, changing reference voltage, changing the number of points in the strip chart and histogram, and changing the number of points averaged for the DVM display.

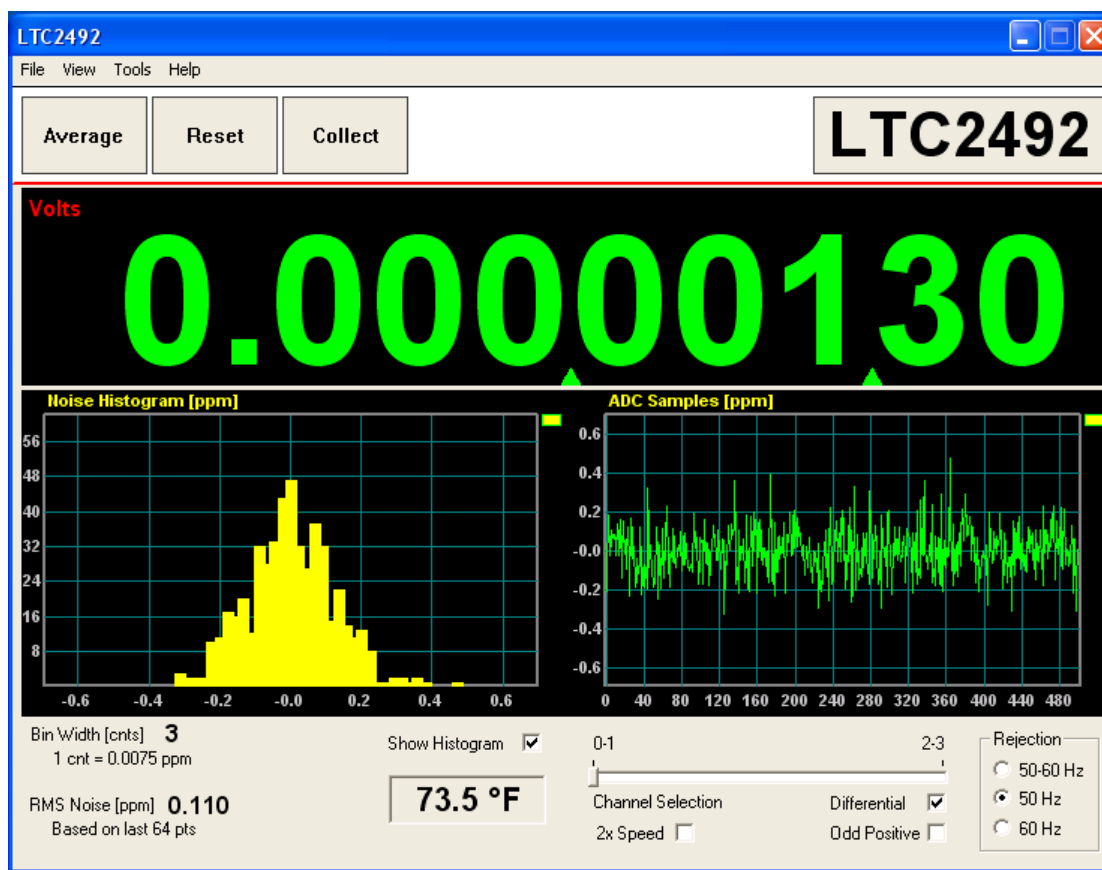


Figure 1.

HARDWARE SETUP

Jumpers

JP1, JP2: Select the source for REF+ and REF–, respectively. REF+ can be 5.00V from the onboard LT1236 reference (default) or supplied externally. REF– can be ground (0V, default) or supplied externally.

Connection To DC590 Serial Controller

J2 is the power and digital interface connector. Connect to a DC590 serial controller with the supplied 14-conductor ribbon cable. Digital signals are also connected to through-hole test points on the circuit board.

Analog Connections

Analog signal connections are made via the row of turret posts along the edge of the board.

GND: Ground turrets are connected directly to the internal analog ground plane.

V_{CC}: This is the supply for the ADC. Do not draw any power from this point. External power may be applied to this point after disabling the V_{CC} supply on DC590. See the DC590 quick start guide for details.

REF+, REF–: These turrets are connected to the LTC2486/LTC2488/LTC2492 REF+ and REF– pins. If the onboard reference is being used, the reference voltage may be monitored from this point. An external reference may be connected to these terminals if JP1 and JP2 are configured for external reference.

CH0-CH3: These are the differential inputs to the LTC2492/LTC2488/LTC2486. They may be configured as single-ended inputs with respect to the COM pin, or as differential inputs (CH0-CH1, CH2-CH3) with the polarity software selected.

EXPERIMENTS

Input Noise

Solder a short wire between the CH0 and CH1 turrets. Connect the inputs to ground through a short wire and start taking data. LTC2492 Noise should be approximately 0.12ppm of 5V (600nV_{RMS}.) The electrical noise of the LTC2488 is also 600nV_{RMS}, however this is masked by the 76.3μV quantization level. If the input is well between code transitions, the noise level will read zero. If the input is exactly between two codes such that the two adjacent output codes have equal probability, the noise level will be approximately 7.9ppm. The input noise of the LTC2486 is apparent at very high gain settings (128 or 256.) Note that with a 5V reference and gain set to 256, 1LSB is equal to 298nV which is lower than the 600nV_{RMS} electrical noise of the input stage.

Common Mode Rejection

Tie the two inputs (still connected together from previous experiment) to ground through a short wire and note the indicated voltage. Tie the inputs to REF+; the difference

should be less than 0.5μV due to the 140dB+ CMRR of the LTC2492. The LTC2488 will produce less than 1LSB difference.

Input Normal Mode Rejection

The LTC2492 and LTC2486 SINC4 digital filter can be software selected to reject 50Hz, 60Hz by 110dB, or both 50Hz and 60Hz by 87dB. The LTC2488's SINC4 filter is fixed at 50Hz/60Hz. To measure input normal mode rejection, connect COM to a 2.5V source such as an LT1790-2.5 reference or a power supply. Connect any other input (CH0-CH3) to the same supply through a 10k resistor. Apply a 10Hz, 2V peak-to-peak sine wave to the input through a 1μF capacitor.

Set the rejection frequency to 55Hz (LTC2492 only) and start taking data. The input noise will be quite large, and the graph of output vs time should show large variations.

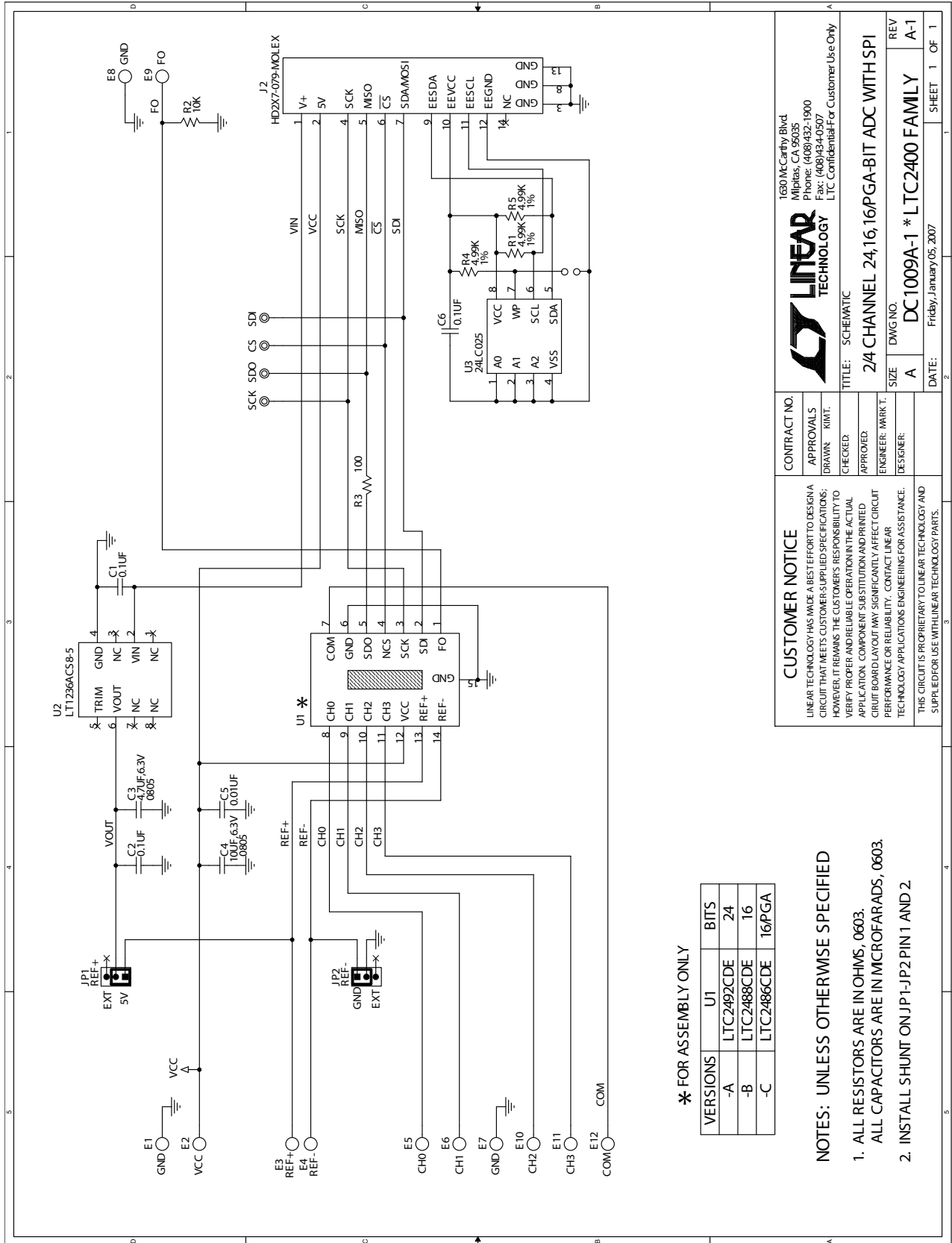
Next, slowly increase the frequency to 55Hz. The noise should be almost undetectable in the graph.

DEMO MANUAL DC1009A

PARTS LIST

ITEM	QTY	REFERENCE	PART DESCRIPTION	MANUFACTURER/PART NUMBER
Required Circuit Components				
1	3	C1, C2, C6	CAP, X7R 0.1 μ F 16V, 0603	AVX, 0603YC104MAT1A
2	1	C3	CAP, X5R 4.7 μ F 6.3V, 20%, 0805	TAIYO YUDEN, JMK212BJ475MGT
3	1	C4	CAP, X5R, 10 μ F 6.3V, 20%, 0805	TDK, C2012X5R0J106M
4	1	C5	CAP, X7R 0.01 μ F 16V, 10%, 0603	AVX, 0603YC103KAT1A
5	12	E1-E12	TESTPOINT, TURRET, .064"	MILL-MAX, 2308-2
6	2	JP1, JP2	JMP, 3-PIN 1 ROW .079CC	SAMTEC, TMM-103-02-L-S
7	2	JP1-JP2 (Pin 1 & 2)	SHUNT, .079" CENTER	SAMTEC, 2SN-BK-G
8	1	J2	HEADER, 2 \times 7-PIN, 0.079CC	MOLEX, 87831-1420
9	3	R1, R4, R5	RES., CHIP 4.99k 1/16W 1%, 0603	AAC, CR16-4991FM
10	1	R2	RES., CHIP 10k 1/16W 5%, 0603	AAC, CR16-103JM
11	1	R3	RES., CHIP 100 Ω 1/16W 5%, 0603	AAC, CR16-101JM
12	1	U2	I.C., LT1236ACS8-5#PBF, S08	LINEAR TECH., LT1236ACS8-5#PBF
13	1	U3	I.C., 24LC025, TSSOP8	MICROCHIP, 24LC025-I/ST
DC1009A-A				
14	1	U1	I.C., LTC2492CDE#PBF, DFN14DE	LINEAR TECH., LTC2492CDE#PBF
DC1009A-B				
14	1	U1	I.C., LTC2488CDE#PBF, DFN14DE	LINEAR TECH., LTC2488CDE#PBF
DC1009A-C				
14	1	U1	I.C., LTC2486CDE#PBF, DFN14DE	LINEAR TECH., LTC2486CDE#PBF

SCHEMATIC DIAGRAM



* FOR ASSEMBLY ONLY

VERSIONS	U1	BITS
-A	LTC2492CDE	24
-B	LTC2488CDE	16
-C	LTC2486CDE	16PGA

- NOTES: UNLESS OTHERWISE SPECIFIED**
1. ALL RESISTORS ARE IN OHMS, 0603.
 2. INSTALL SHUNT ON JP1-JP2 PIN 1 AND 2.

CUSTOMER NOTICE
 LINEAR TECHNOLOGY HAS MADE A BEST EFFORT TO DESIGN A CIRCUIT THAT MEETS CUSTOMER-SUPPLIED SPECIFICATIONS; HOWEVER, IT REMAINS THE CUSTOMER'S RESPONSIBILITY TO VERIFY PROPER AND RELIABLE OPERATION IN THE ACTUAL APPLICATION. COMPONENT SUBSTITUTION AND PRINTED CIRCUIT BOARD LAYOUT MAY SIGNIFICANTLY AFFECT CIRCUIT PERFORMANCE OR RELIABILITY. CONTACT LINEAR TECHNOLOGY APPLICATIONS ENGINEERING FOR ASSISTANCE. THIS CIRCUIT IS PROPRIETARY TO LINEAR TECHNOLOGY AND SUPPLIED FOR USE WITH LINEAR TECHNOLOGY PARTS.

CONTRACT NO.
APPROVALS
DRAWN - KIMT.
CHECKED
APPROVED
ENGINEER - MARK T.
DESIGNER

LINEAR TECHNOLOGY
 1680 McCarthy Blvd.
 Milpitas, CA 95035
 Phone: (408)432-1900
 Fax: (408)434-0507
 LTC Confidential For Customer Use Only

TITLE: SCHEMATIC
2/4 CHANNEL 24,16,16PGA-BIT ADC WITH SPI

SIZE A
DWG NO. DC1009A-1 * LTC2400 FAMILY
REV A-1

DATE: Friday, January 05, 2007
SHEET 1 OF 1

DEMO MANUAL DC1009A

DEMONSTRATION BOARD IMPORTANT NOTICE

Linear Technology Corporation (LTC) provides the enclosed product(s) under the following **AS IS** conditions:

This demonstration board (DEMO BOARD) kit being sold or provided by Linear Technology is intended for use for **ENGINEERING DEVELOPMENT OR EVALUATION PURPOSES ONLY** and is not provided by LTC for commercial use. As such, the DEMO BOARD herein may not be complete in terms of required design-, marketing-, and/or manufacturing-related protective considerations, including but not limited to product safety measures typically found in finished commercial goods. As a prototype, this product does not fall within the scope of the European Union directive on electromagnetic compatibility and therefore may or may not meet the technical requirements of the directive, or other regulations.

If this evaluation kit does not meet the specifications recited in the DEMO BOARD manual the kit may be returned within 30 days from the date of delivery for a full refund. **THE FOREGOING WARRANTY IS THE EXCLUSIVE WARRANTY MADE BY THE SELLER TO BUYER AND IS IN LIEU OF ALL OTHER WARRANTIES, EXPRESSED, IMPLIED, OR STATUTORY, INCLUDING ANY WARRANTY OF MERCHANTABILITY OR FITNESS FOR ANY PARTICULAR PURPOSE. EXCEPT TO THE EXTENT OF THIS INDEMNITY, NEITHER PARTY SHALL BE LIABLE TO THE OTHER FOR ANY INDIRECT, SPECIAL, INCIDENTAL, OR CONSEQUENTIAL DAMAGES.**

The user assumes all responsibility and liability for proper and safe handling of the goods. Further, the user releases LTC from all claims arising from the handling or use of the goods. Due to the open construction of the product, it is the user's responsibility to take any and all appropriate precautions with regard to electrostatic discharge. Also be aware that the products herein may not be regulatory compliant or agency certified (FCC, UL, CE, etc.).

No License is granted under any patent right or other intellectual property whatsoever. **LTC assumes no liability for applications assistance, customer product design, software performance, or infringement of patents or any other intellectual property rights of any kind.**

LTC currently services a variety of customers for products around the world, and therefore this transaction **is not exclusive**.

Please read the DEMO BOARD manual prior to handling the product. Persons handling this product must have electronics training and observe good laboratory practice standards. **Common sense is encouraged.**

This notice contains important safety information about temperatures and voltages. For further safety concerns, please contact a LTC application engineer.

Mailing Address:

Linear Technology
1630 McCarthy Blvd.
Milpitas, CA 95035

Copyright © 2004, Linear Technology Corporation



**Стандарт
Электрон
Связь**

Мы молодая и активно развивающаяся компания в области поставок электронных компонентов. Мы поставляем электронные компоненты отечественного и импортного производства напрямую от производителей и с крупнейших складов мира.

Благодаря сотрудничеству с мировыми поставщиками мы осуществляем комплексные и плановые поставки широчайшего спектра электронных компонентов.

Собственная эффективная логистика и склад в обеспечивает надежную поставку продукции в точно указанные сроки по всей России.

Мы осуществляем техническую поддержку нашим клиентам и предпродажную проверку качества продукции. На все поставляемые продукты мы предоставляем гарантию .

Осуществляем поставки продукции под контролем ВП МО РФ на предприятия военно-промышленного комплекса России , а также работаем в рамках 275 ФЗ с открытием отдельных счетов в уполномоченном банке. Система менеджмента качества компании соответствует требованиям ГОСТ ISO 9001.

Минимальные сроки поставки, гибкие цены, неограниченный ассортимент и индивидуальный подход к клиентам являются основой для выстраивания долгосрочного и эффективного сотрудничества с предприятиями радиоэлектронной промышленности, предприятиями ВПК и научно-исследовательскими институтами России.

С нами вы становитесь еще успешнее!

Наши контакты:

Телефон: +7 812 627 14 35

Электронная почта: sales@st-electron.ru

Адрес: 198099, Санкт-Петербург,
Промышленная ул, дом № 19, литера Н,
помещение 100-Н Офис 331