

## MAX14656

## USB Charger Detection with Integrated Overvoltage Protector

### General Description

The MAX14656 is a USB charger detector compliant with USB Battery Charging Specification Revision 1.2. The USB charger detection circuitry detects USB standard downstream ports (SDPs), USB charging downstream ports (CDPs), or dedicated charger ports (DCPs), and controls an external lithium-ion (Li+) battery charger.

The device implements USB Battery Charging Specification Revision 1.2-compliant detection logic. The device also includes Apple® charger detection that allows identification of resistor divider networks on D+/D-.

The internal double-pole double-throw (DPDT) USB switch is compliant to Hi-Speed USB, full-speed USB, low-speed USB, and UART signals. The device's internal switch features low on-resistance, low on-resistance flatness, and very low capacitance. The ID pin controls the DPDT switch position. The MAX14656 features high-ESD protection up to ±15kV Human Body Model (HBM) on CD+, CD-, and ID pins.

The MAX14656 is available in a 16-bump, 0.4mm pitch, 1.8mm x 1.9mm WLP package and operates over the -40°C to +85°C extended temperature range.

### Applications

- DSCs and Camcorders
- Tablet PCs
- Smartphones
- e-Readers

### Benefits and Features

- Consumes Less Power
  - Low Battery Standby Current 5µA (typ)
- Delivers USB Compliance and Flexibility
  - Compliant to USB Battery Charging Specification Revision 1.2
  - Data Contact Detection for Foolproof Connector Insertion Detection
  - Dedicated Charger Detection
  - Standard Downstream Port Detection
  - Charging Downstream Port Detection
  - Apple Charger Detection
  - Sony® Charger Detection\*
- Facilitates System Design
  - Integrated Precision 1.5A Overvoltage Protection (OVP)
  - Negative Audio Capable DPDT Hi-Speed USB Switches
  - Automatic Switch and Charger Interface Control
  - Full Control by I<sup>2</sup>C Interface
  - Interrupt for Device Status Change
- Saves Board Space
  - VBUS Connection Capable of 36V
  - ±15kV HBM ESD Protection
  - 1.8mm x 1.9mm WLP Package

Ordering Information and Typical Operating Circuit appears at end of data sheet.

\*Contact factory for the list of compatible chargers.

Apple is a registered trademark of Apple, Inc.

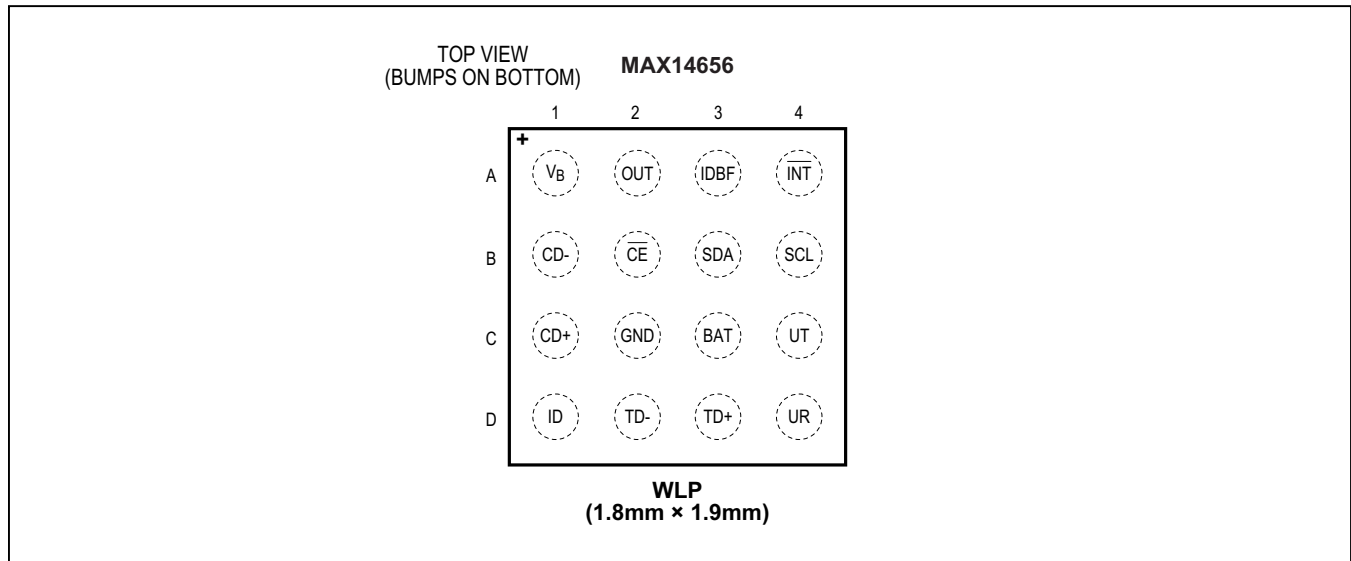
Sony is a registered trademark and registered service mark of Kabushiki Kaisha TA Sony Corporation.

# ABRIDGED DATA SHEET

MAX14656

USB Charger Detection  
with Integrated Overvoltage Protector

## Bump Configuration



## Bump Description

BUMP	NAME	FUNCTION
A1	V <sub>B</sub>	USB Connector V <sub>BUS</sub> Connection. Bypass V <sub>B</sub> with a 1μF capacitor to GND.
A2	OUT	Overvoltage-Protected USB Transceiver V <sub>BUS</sub> Power Output. Bypass OUT with a 1μF capacitor to GND.
A3	IDBF	Push-Pull Digital ID Buffer Output
A4	INT	Active-Low, Open-Drain, Interrupt Request Fault Output. Connect INT to an external pullup resistor.
B1	CD-	USB Connector D- Connection
B2	CE	Active-Low, Open-Drain, Charger Control Enable Output. Connect CE to an external pullup resistor.
B3	SDA	I <sup>2</sup> C Serial-Data Input/Output. Connect SDA to an external pullup resistor.
B4	SCL	I <sup>2</sup> C Serial-Clock Input. Connect SCL to an external pullup resistor.
C1	CD+	USB Connector D+ Connection
C2	GND	Ground
C3	BAT	Battery Connection Input. Bypass BAT with a 1μF capacitor to GND.
C4	UT	UART Tx Line from Device
D1	ID	USB Connector ID Connection. Bypass ID with a 1nF (max) capacitor to GND.
D2	TD-	USB Transceiver D- Connection
D3	TD+	USB Transceiver D+ Connection
D4	UR	UART Rx Line from Device

# ABRIDGED DATA SHEET

MAX14656

## USB Charger Detection with Integrated Overvoltage Protector

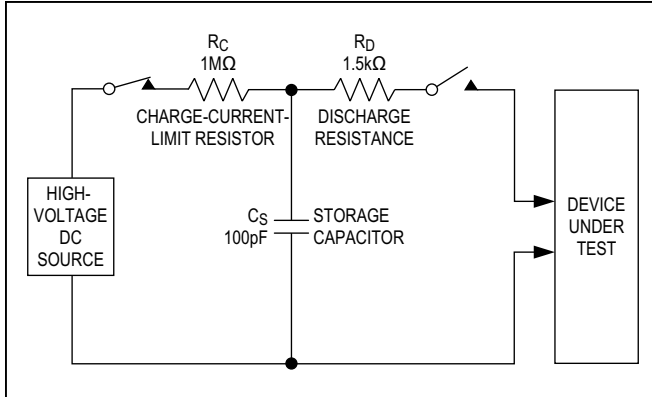


Figure 11. Human Body ESD Test Model

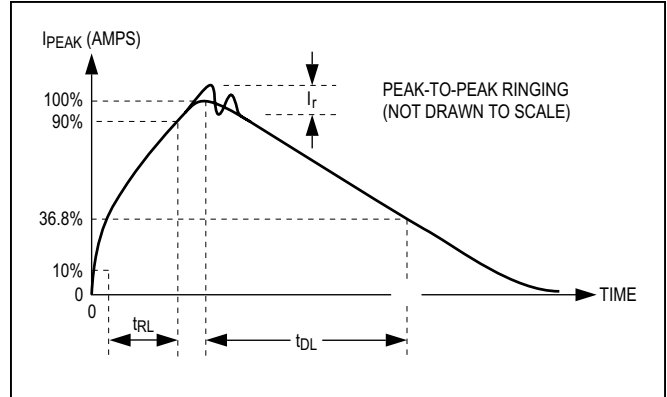


Figure 12. Human Body Current Waveform

### ESD Test Conditions

ESD performance depends on a variety of conditions. Contact Maxim for a reliability report that documents test setup, test methodology, and test results.

### Human Body Model

Figure 11 shows the Human Body Model, and Figure 12 shows the current waveform it generates when discharged into a low-impedance state. This model consists of a 100pF capacitor charged to the ESD voltage of interest that is then discharged into the device through a 1.5kΩ resistor.

### Ordering Information

PART	TEMP RANGE	PIN-PACKAGE	TOP MARK
MAX14656EWE+T	-40°C to +85°C	16 WLP	AAG

+Denotes a lead(Pb)-free/RoHS-compliant package.

### Package Information

For the latest package outline information and land patterns (footprints), go to [www.maximintegrated.com/packages](http://www.maximintegrated.com/packages). Note that a "+", "#", or "-" in the package code indicates RoHS status only. Package drawings may show a different suffix character, but the drawing pertains to the package regardless of RoHS status.

PACKAGE TYPE	PACKAGE CODE	OUTLINE NO.	LAND PATTERN NO.
16 WLP	W161C1+1	<a href="#">21-0491</a>	Refer to <a href="#">Application Note 1891</a>



## Стандарт Электрон Связь

Мы молодая и активно развивающаяся компания в области поставок электронных компонентов. Мы поставляем электронные компоненты отечественного и импортного производства напрямую от производителей и с крупнейших складов мира.

Благодаря сотрудничеству с мировыми поставщиками мы осуществляем комплексные и плановые поставки широчайшего спектра электронных компонентов.

Собственная эффективная логистика и склад в обеспечивает надежную поставку продукции в точно указанные сроки по всей России.

Мы осуществляем техническую поддержку нашим клиентам и предпродажную проверку качества продукции. На все поставляемые продукты мы предоставляем гарантию .

Осуществляем поставки продукции под контролем ВП МО РФ на предприятия военно-промышленного комплекса России , а также работаем в рамках 275 ФЗ с открытием отдельных счетов в уполномоченном банке. Система менеджмента качества компании соответствует требованиям ГОСТ ISO 9001.

Минимальные сроки поставки, гибкие цены, неограниченный ассортимент и индивидуальный подход к клиентам являются основой для выстраивания долгосрочного и эффективного сотрудничества с предприятиями радиоэлектронной промышленности, предприятиями ВПК и научно-исследовательскими институтами России.

С нами вы становитесь еще успешнее!

### Наши контакты:

**Телефон:** +7 812 627 14 35

**Электронная почта:** [sales@st-electron.ru](mailto:sales@st-electron.ru)

**Адрес:** 198099, Санкт-Петербург,  
Промышленная ул, дом № 19, литера Н,  
помещение 100-Н Офис 331