

LOW POWER LOW OFFSET VOLTAGE QUAD COMPARATORS AS339/339A

General Description

The AS339/339A consist of four independent precision voltage comparators with a typical offset voltage of 2.0mV and high gain. They are specifically designed to operate from a single power supply over wide range of voltages. Operation from split power supply is also possible and the low power supply current drain is independent of the magnitude of the power supply voltage.

The AS339/339A series are compatible with industry standard 339. AS339A has more stringent input offset voltage than AS339.

The AS339 is available in DIP-14, SOIC-14 and TSSOP-14 packages, AS339A is available in SOIC-14 package.

Features

- Wide Supply Voltage Range
 - Single Supply: 2.0V to 36V
 - Dual Supplies: $\pm 1.0V$ to $\pm 18V$
- Low Supply Current Drain: 0.9mA
- Low Input Bias Current: 25nA (Typical)
- Low Input Offset Current: $\pm 5.0nA$ (Typical)
- Low Input Offset Voltage: 2.0mV (Typical)
- Input Common Mode Voltage Range Includes Ground
- Differential Input Voltage Range Equals to the Power Supply Voltage
- Low Output Saturation Voltage: 200mV at 4mA
- Open Collector Output

Applications

- Battery Charger
- Cordless Telephone
- Switching Power Supply
- DC-DC Module
- PC Motherboard
- Communication Equipment



Figure 1. Package Types of AS339/339A

LOW POWER LOW OFFSET VOLTAGE QUAD COMPARATORS AS339/339A

Pin Configuration

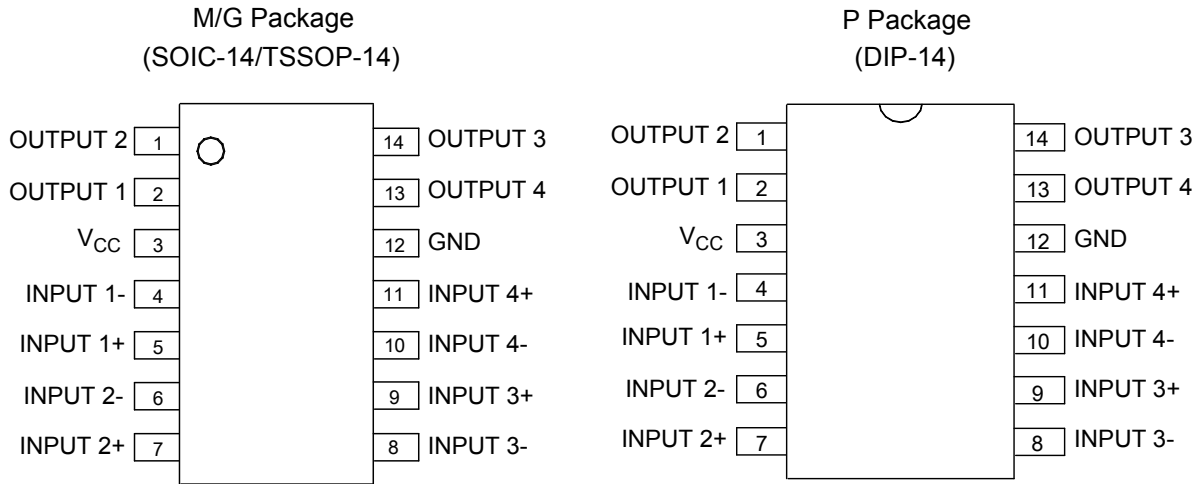


Figure 2. Pin Configuration of AS339/339A (Top View)

Functional Block Diagram

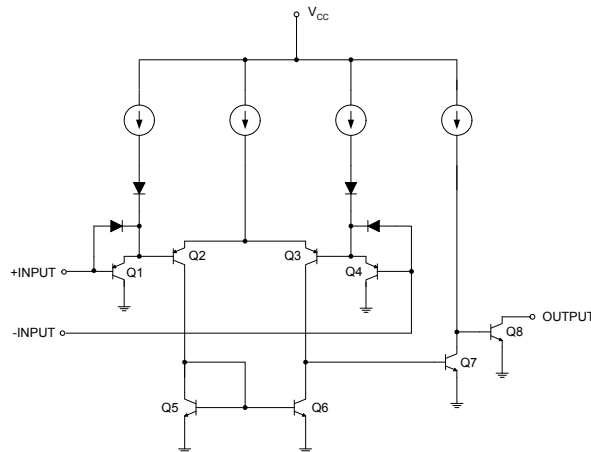
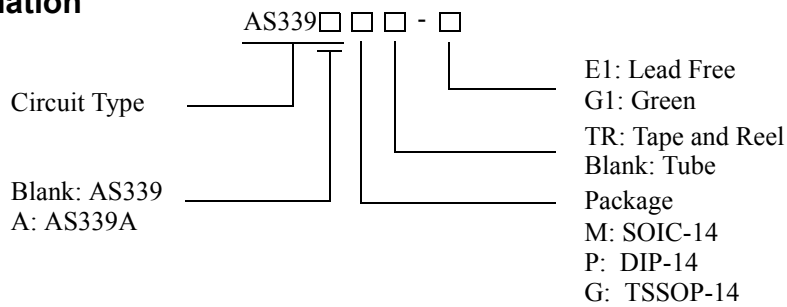


Figure 3. Functional Block Diagram of AS339/339A (Each comparator)

Ordering Information



**LOW POWER LOW OFFSET VOLTAGE QUAD COMPARATORS AS339/339A****Ordering Information (Continued)**

Package	Temperature Range	Part Number		Marking ID		Packing Type
		Lead Free	Green	Lead Free	Green	
SOIC-14	-40 to 85°C	AS339M-E1	AS339M-G1	AS339M-E1	AS339M-G1	Tube
		AS339MTR-E1	AS339MTR-G1	AS339M-E1	AS339M-G1	Tape & Reel
		AS339AM-E1	AS339AM-G1	AS339AM-E1	AS339AM-G1	Tube
		AS339AMTR-E1	AS339AMTR-G1	AS339AM-E1	AS339AM-G1	Tape & Reel
DIP-14		AS339P-E1	AS339P-G1	AS339P-E1	AS339P-G1	Tube
TSSOP-14		AS339GTR-E1	AS339GTR-G1	EGS339	GGG339	Tape & Reel

BCD Semiconductor's Pb-free products, as designated with "E1" suffix in the part number, are RoHS compliant. Products with "G1" suffix are available in green packages.

Absolute Maximum Ratings (Note 1)

Parameter	Symbol	Value	Unit
Supply Voltage	V_{CC}	40	V
Differential Input Voltage	V_{ID}	40	V
Input Voltage	V_{IN}	-0.3 to 40	V
Input Current ($V_{IN} < -0.3V$) (Note 2)	I_{IN}	50	mA
Output Short-Circuit to Ground		Continuous	
Power Dissipation ($T_A = 25^\circ C$)	P_D	DIP-14	1050
		SOIC-14	890
		TSSOP-14	790
Operating Junction Temperature	T_J	150	°C
Storage Temperature Range	T_{STG}	-65 to 150	°C
Lead Temperature (Soldering, 10 Seconds)	T_{LEAD}	260	°C

Note 1: Stresses greater than those listed under "Absolute Maximum Ratings" may cause permanent damage to the device. These are stress ratings only, and functional operation of the device at these or any other conditions beyond those indicated under "Recommended Operating Conditions" is not implied. Exposure to "Absolute Maximum Ratings" for extended periods may affect device reliability.

Note 2: This input current will only exist when the voltage at any of the input leads is driven negative. It is due to the collector-base junction of the input PNP transistors becoming forward biased and thereby acting as input diode clamps. In addition to this diode action, there is also lateral NPN parasitic transistor action on the IC chip. This transistor action can cause the output voltages of the comparators to go to the $V+$ voltage level (or to ground for a large overdrive) for the time duration that an input is driven negative. This is not destructive and normal output states will re-establish when the input voltage, which was negative, again returns to a value greater than $-0.3 V_{DC}$ (at $25^\circ C$).



LOW POWER LOW OFFSET VOLTAGE QUAD COMPARATORS AS339/339A

Recommended Operating Conditions

Parameter	Symbol	Min	Max	Unit
Supply Voltage	V_{CC}	2	36	V
Operating Temperature Range	T_A	-40	85	$^{\circ}C$

Electrical Characteristics

Limits in standard typeface are for $T_A=25^{\circ}C$, **bold** typeface applies over $T_A=-40^{\circ}C$ to $85^{\circ}C$ (Note 3), $V_{CC}=5V$, $GND=0V$, unless otherwise specified.

Parameter	Conditions		Min	Typ	Max	Unit
Input Offset Voltage	$V_O=1.4V$, $R_S=0\Omega$, V_{CC} from 5V to 30V	AS339		2	5	mV
					7	
		AS339A		2	3	
					5	
Input Bias Current	I_{IN+} or I_{IN-} with output in Linear Range, $V_{CM}=0V$			25	250	nA
					400	
Input Offset Current	$I_{IN+} - I_{IN-}$, $V_{CM}=0V$			5.0	50	nA
					200	
Input Common Mode Voltage Range (Note 4)	$V_{CC}=30V$		0		$V_{CC}-1.5$	V
Supply Current	$R_L=\infty$	$V_{CC}=5V$		0.9	2.0	mA
					3.0	
		$V_{CC}=30V$		1.2	2.5	
					3.5	
Voltage Gain	$R_L \geq 15k\Omega$, $V_{CC}=15V$, $V_O=1V$ to 11V		50	200		V/mV
Large Signal Response Time	$V_{IN}=\text{TTL Logic Swing}$, $V_{REF}=1.4V$ $V_{RL}=5V$, $R_L=5.1k\Omega$			200		ns
Response Time	$V_{RL}=5V$, $R_L=5.1k\Omega$			1.3		μs
Output Sink Current	$V_{IN-}=1V$, $V_{IN+}=0$, $V_O=1.5V$		6.0	16		mA
Output Leakage Current	$V_{IN-}=0V$, $V_{IN+}=1V$, $V_O=5V$			0.1		nA
	$V_{IN-}=0V$, $V_{IN+}=1V$, $V_O=30V$				1	μA
Saturation Voltage	$V_{IN-}=1V$, $V_{IN+}=0$, $I_{SINK} \leq 4mA$			200	400	mV
					500	
Thermal Resistance (Junction to Case)	SOIC-14			51.93		$^{\circ}C/W$
	DIP-14			35.00		

Note 3: Limits over the full temperature are guaranteed by design, but not tested in production.

Note 4: The input common-mode voltage of either input signal voltage should not be allowed to go negatively by more than 0.3V (at $25^{\circ}C$). The upper end of the common-mode voltage range is $V_{CC}-1.5V$ (at $25^{\circ}C$), but either or both inputs can go to +36V without damages, independent of the magnitude of the V_{CC} .



LOW POWER LOW OFFSET VOLTAGE QUAD COMPARATORS AS339/339A

Typical Performance Characteristics

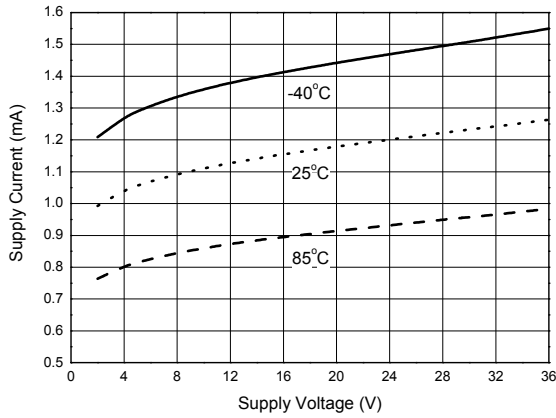


Figure 4. Supply Voltage vs. Supply Current

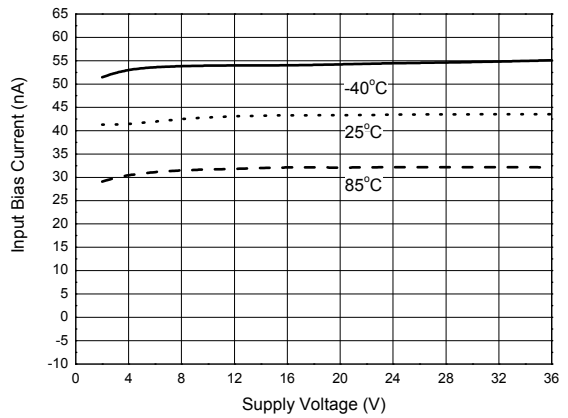


Figure 5. Supply Voltage vs. Input Bias Current

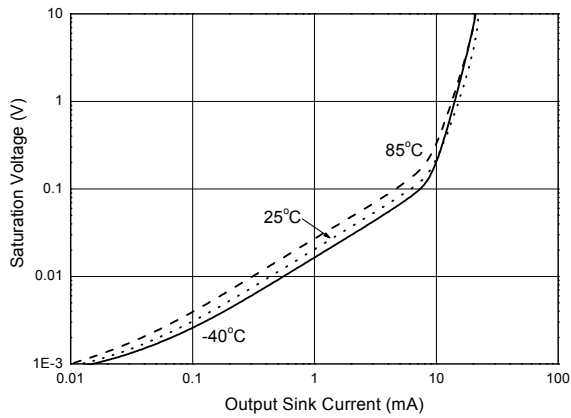


Figure 6. Output Sink Current vs. Saturation Voltage

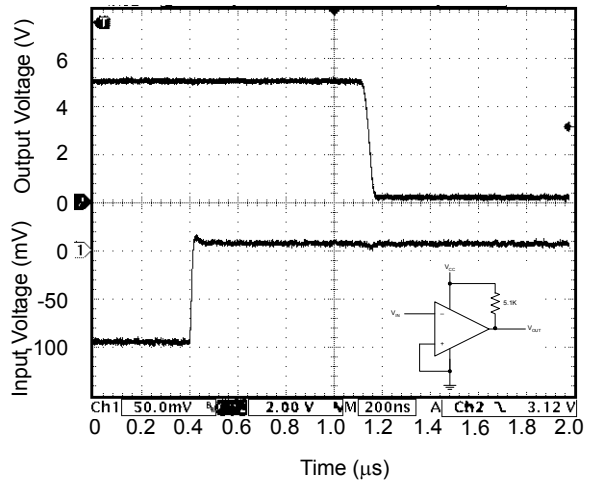


Figure 7. Response Time for 5mV Input Overdrive - Negative Transition



LOW POWER LOW OFFSET VOLTAGE QUAD COMPARATORS AS339/339A

Typical Performance Characteristics (Continued)

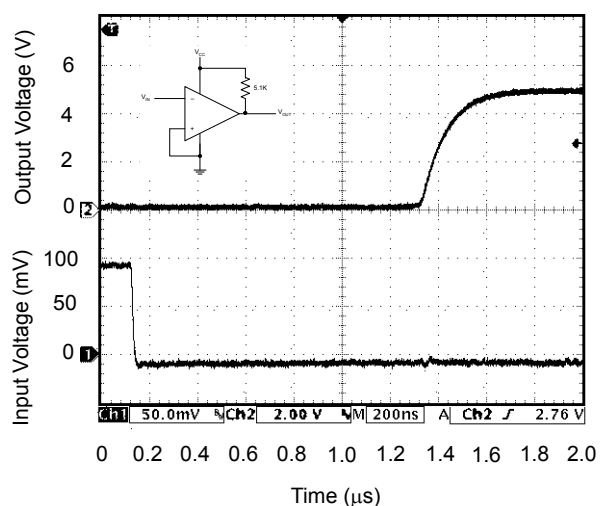


Figure 8. Response Time for 5mV Input Overdrive - Positive Transition

LOW POWER LOW OFFSET VOLTAGE QUAD COMPARATORS AS339/339A

Typical Applications

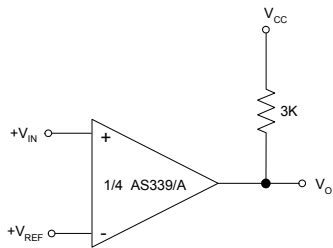


Figure 9. Basic Comparator

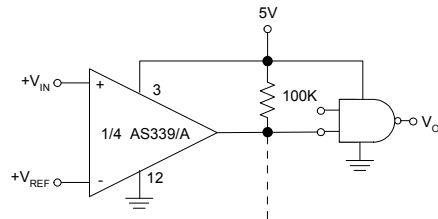


Figure 10. Driving CMOS

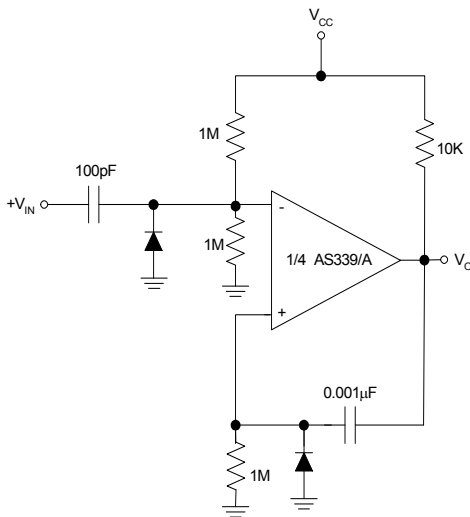


Figure 11. One Shot Multivibrator

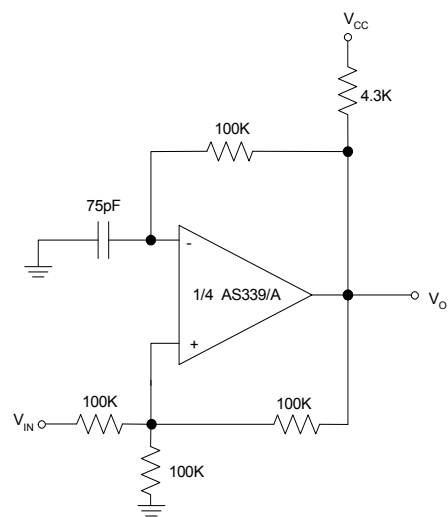


Figure 12. Squarewave Oscillator

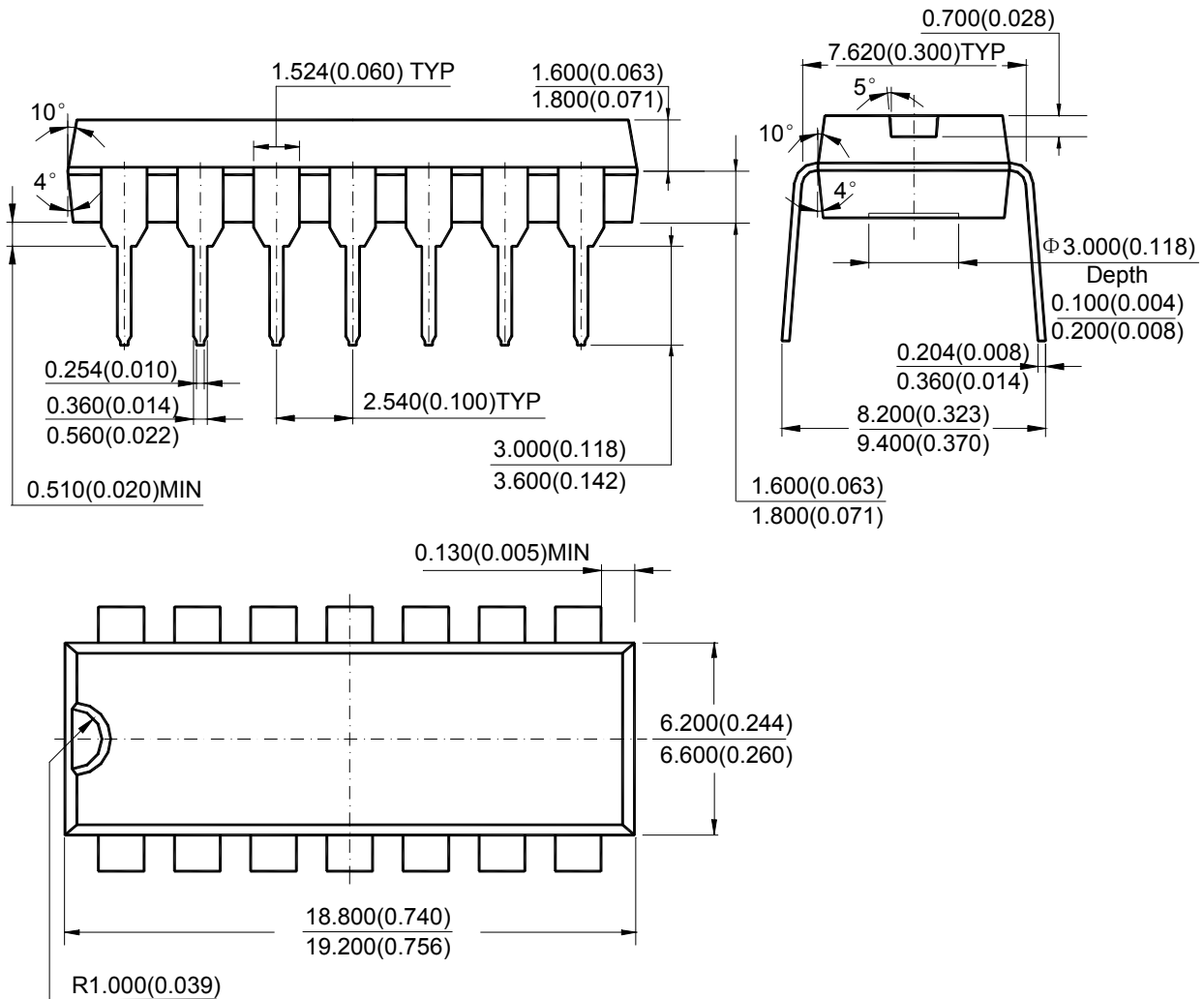


LOW POWER LOW OFFSET VOLTAGE QUAD COMPARATORS AS339/339A

Mechanical Dimensions

DIP-14

Unit: mm(inch)



Note: Eject hole, oriented hole and mold mark is optional.

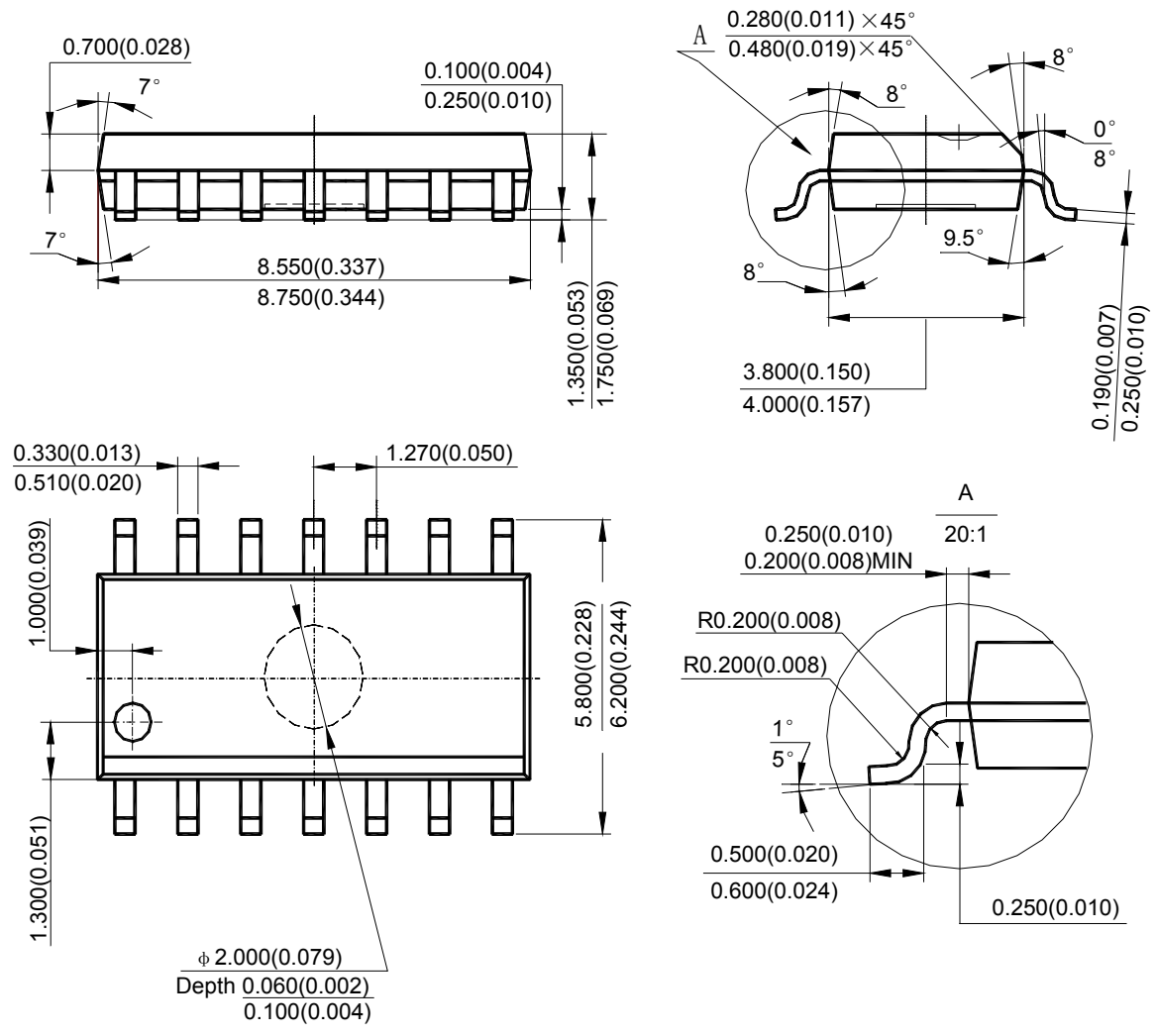


LOW POWER LOW OFFSET VOLTAGE QUAD COMPARATORS AS339/339A

Mechanical Dimensions (Continued)

SOIC-14

Unit: mm(inch)



Note: Eject hole, oriented hole and mold mark is optional.

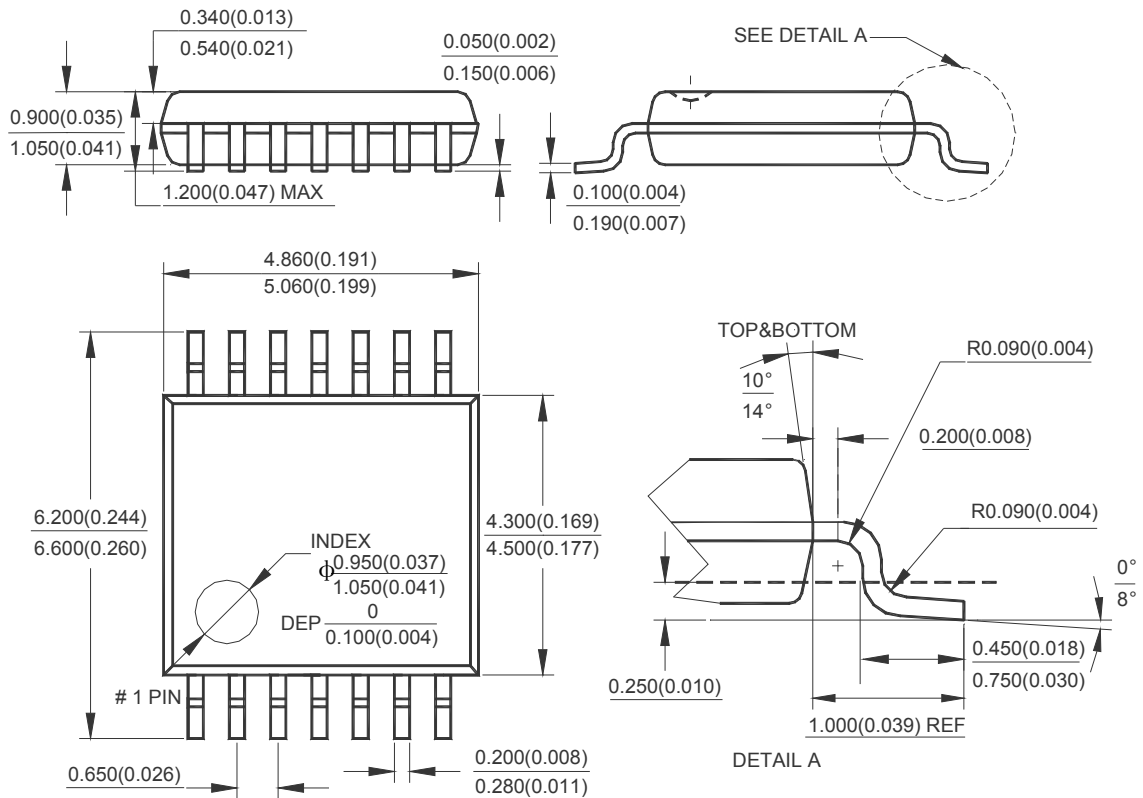


LOW POWER LOW OFFSET VOLTAGE QUAD COMPARATORS AS339/339A

Mechanical Dimensions (Continued)

TSSOP-14

Unit: mm(inch)



Note: Eject hole, oriented hole and mold mark is optional.



BCD Semiconductor Manufacturing Limited

<http://www.bcdsemi.com>

IMPORTANT NOTICE

BCD Semiconductor Manufacturing Limited reserves the right to make changes without further notice to any products or specifications herein. BCD Semiconductor Manufacturing Limited does not assume any responsibility for use of any its products for any particular purpose, nor does BCD Semiconductor Manufacturing Limited assume any liability arising out of the application or use of any its products or circuits. BCD Semiconductor Manufacturing Limited does not convey any license under its patent rights or other rights nor the rights of others.

MAIN SITE

- Headquarters

BCD Semiconductor Manufacturing Limited

No. 1600, Zi Xing Road, Shanghai ZiZhu Science-based Industrial Park, 200241, China
Tel: +86-21-24162266, Fax: +86-21-24162277

- Wafer Fab

Shanghai SIM-BCD Semiconductor Manufacturing Co., Ltd.

800 Yi Shan Road, Shanghai 200233, China
Tel: +86-21-6485 1491, Fax: +86-21-5450 0008

REGIONAL SALES OFFICE

Shenzhen Office

Shanghai SIM-BCD Semiconductor Manufacturing Co., Ltd., Shenzhen Office

Unit A Room 1203, Skyworth Bldg., Gaoxin Ave. 1.S., Nanshan District, Shenzhen, China
Tel: +86-755-8826 7951
Fax: +86-755-8826 7865

Taiwan Office

BCD Semiconductor (Taiwan) Company Limited

4F, 298-1, Rui Guang Road, Nei-Hu District, Taipei, Taiwan
Tel: +886-2-2656 2808
Fax: +886-2-2656 2806

USA Office

BCD Semiconductor Corp.

30920 Huntwood Ave. Hayward, CA 94544, USA
Tel : +1-510-324-2988
Fax: +1-510-324-2788



**Стандарт
Электрон
Связь**

Мы молодая и активно развивающаяся компания в области поставок электронных компонентов. Мы поставляем электронные компоненты отечественного и импортного производства напрямую от производителей и с крупнейших складов мира.

Благодаря сотрудничеству с мировыми поставщиками мы осуществляем комплексные и плановые поставки широчайшего спектра электронных компонентов.

Собственная эффективная логистика и склад в обеспечивает надежную поставку продукции в точно указанные сроки по всей России.

Мы осуществляем техническую поддержку нашим клиентам и предпродажную проверку качества продукции. На все поставляемые продукты мы предоставляем гарантию .

Осуществляем поставки продукции под контролем ВП МО РФ на предприятия военно-промышленного комплекса России , а также работаем в рамках 275 ФЗ с открытием отдельных счетов в уполномоченном банке. Система менеджмента качества компании соответствует требованиям ГОСТ ISO 9001.

Минимальные сроки поставки, гибкие цены, неограниченный ассортимент и индивидуальный подход к клиентам являются основой для выстраивания долгосрочного и эффективного сотрудничества с предприятиями радиоэлектронной промышленности, предприятиями ВПК и научно-исследовательскими институтами России.

С нами вы становитесь еще успешнее!

Наши контакты:

Телефон: +7 812 627 14 35

Электронная почта: sales@st-electron.ru

Адрес: 198099, Санкт-Петербург,
Промышленная ул, дом № 19, литера Н,
помещение 100-Н Офис 331