

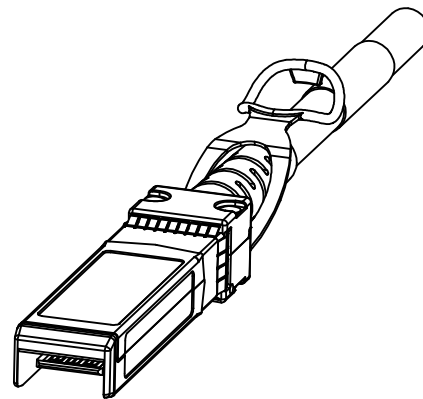
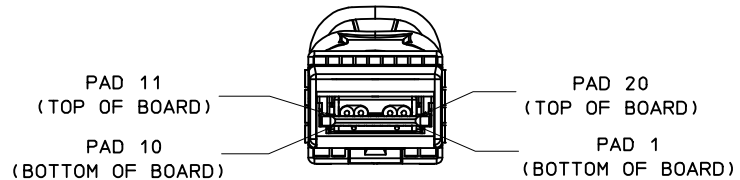
NOTES:

1. MATERIALS
 BACKSHELLS - NICKEL PLATED ZINC
 DE-LATCH - PLASTIC
 PCB - HALOGEN FREE, UL94 V-0
 RIVETS - STAINLESS STEEL
2. IMPEDANCE - 100 OHMS DIFFERENTIAL, PASSIVE
3. PULL TO RELEASE, PLUNGER STYLE LATCH
4. EACH ASSEMBLY HAS A SERIAL ID
5. RoHS COMPLIANT, NO EXEMPTIONS.

SEE REVISION TABLE IEC NO: CPG2016-0351 DRAWN BY: BCHENO6_USY 2015/07/28 CHKD: CHYD APPR: CHRISCHY 2015/07/28 REY:	QUALITY SYMBOLS	GENERAL TOLERANCES (UNLESS SPECIFIED)	DIMENSION STYLE	SCALE	DESIGN UNITS	THIRD ANGLE PROJECTION
	▽=0	mm INCH	MM ONLY	2.5:1	METRIC	
	▽=0	4 PLACES ± ---	DRAWN BY: BCHENO6_USY 2014/10/07	DATE	TITLE: ZSFP+ TO ZSFP+ 28G PASSIVE CABLE ASSEMBLY	
	▽=0	3 PLACES ± ---	CHECKED BY: BHATFIELD 2014/10/07	DATE	APPROVED BY: CHRISCHY 2015/07/28	
		ANGULAR ± 2 °	MATERIAL NO.	DOCUMENT NO.	SHEET NO.	
		DRAFT WHERE APPLICABLE MUST REMAIN WITHIN DIMENSIONS	SEE P/N TABLE	SD-11145-0001	1 OF 4	
			THIS DRAWING CONTAINS INFORMATION THAT IS PROPRIETARY TO MOLEX INCORPORATED AND SHOULD NOT BE USED WITHOUT WRITTEN PERMISSION			

WIRING DIAGRAM					
P1 END			P2 END		
PAD	SIGNAL		PAD	SIGNAL	
12	RD-	<----	19	TD-	
13	RD+	<----	18	TD+	
18	TD+	---->	13	RD+	
19	TD-	---->	12	RD-	
02	Tx_Fault	NC	NC	02	Tx_Fault
03	Tx_Disable	NC	NC	03	Tx_Disable
04	SDA	■	■	04	SDA
05	SCL	■	■	05	SCL
06	Mod_ABS	NC	NC	06	Mod_ABS
07	RS0	NC	NC	07	RS0
08	Rx_LOS	NC	NC	08	Rx_LOS
09	RS1	NC	NC	09	RS1
15	VccR	NC	NC	15	VccR
16	VccT	NC	NC	16	VccT

LEGEND:
 ----> = THRU LINES
 NC = NOT CONNECTED
 ■ = CONNECTION TO A DEVICE ON THE PCB

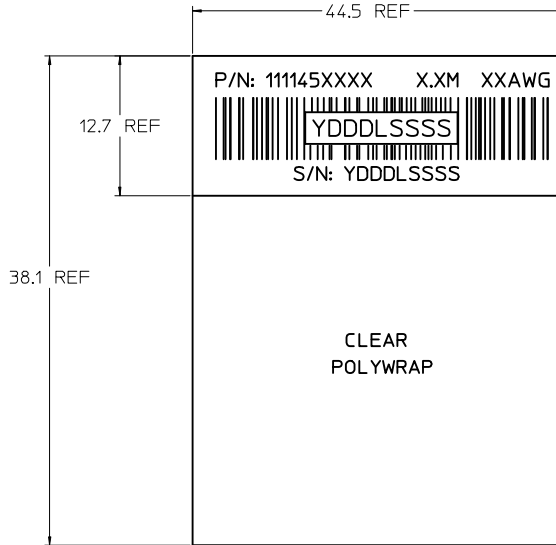


SEE REVISION TABLE IEC NO: CPG2016-0351 DRAWN: BCHENO6_USY 2015/07/28 CHKD: CHYK0 APPR: CHIRSCHY 2015/07/28	QUALITY SYMBOLS	GENERAL TOLERANCES (UNLESS SPECIFIED)	DIMENSION STYLE	SCALE	DESIGN UNITS	THIRD ANGLE PROJECTION
	▽=0	4 PLACES ± mm ± INCH	MM ONLY	4:1	METRIC	☉
	▽=0	3 PLACES ± 0.13 ± 0.005				
	▽=0	2 PLACES ± 0.25 ± 0.010				
		ANGULAR ± 2 °				
		DRAFT WHERE APPLICABLE MUST REMAIN WITHIN DIMENSIONS	SEE P/N TABLE			
			MATERIAL NO.	DOCUMENT NO.		
				SD-111145-0001		
						SHEET NO. 2 OF 4

molex
 ZSFP+ TO ZSFP+ 28G PASSIVE CABLE ASSEMBLY
 THIS DRAWING CONTAINS INFORMATION THAT IS PROPRIETARY TO MOLEX INCORPORATED AND SHOULD NOT BE USED WITHOUT WRITTEN PERMISSION

CABLE ID LABEL

PART NUMBER	LENGTH	TOL.	AWG
1111451031	0.3M	±0.03M	30
1111451051	0.5M	±0.05M	30
1111451101	1.0M	±0.05M	30
1111451201	2.0M	±0.05M	30
1111451251	2.5M	±0.05M	30
1111451301	3.0M	±0.05M	30
1111451401	4.0M	±0.05M	30
1111453301	3.0M	±0.05M	26
1111453401	4.0M	±0.05M	26
1111453501	5.0M	±0.08M	26
1111453601	6.0M	±0.08M	26
1111453701	7.0M	±0.08M	26
1111453801	8.0M	±0.08M	26
1111453901	9.0M	±0.08M	26
TBD	10.0M	±0.08M	26



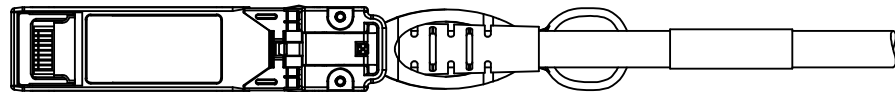
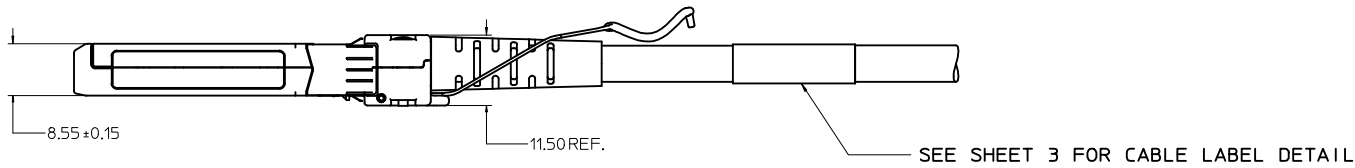
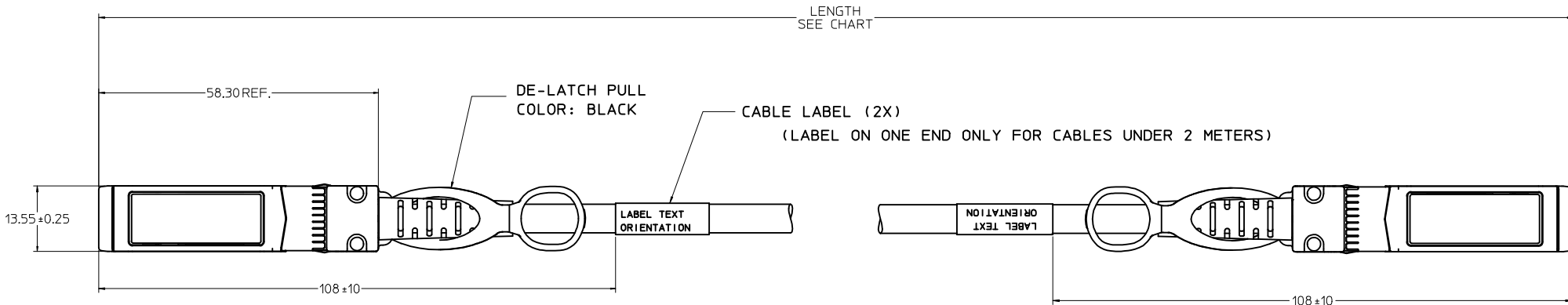
P/N: SEE TABLE
 S/N: Y = YEAR, LAST DIGIT OF YEAR
 DDD = DAY OF THE YEAR
 L = LOCATION - 1 = USA
 2 = MEXICO
 3 = CHINA
 4 = PHILIPPINES

SSSS = SERIAL NUMBER
 X.XM: CABLE LENGTH, SEE TABLE
 XXAWG: WIRE GAGE, SEE TABLE

(DATE CODE ISO-8601 FORMAT)

NOTES :
 CUSTOM CABLE LENGTH AND GAUGE AVAILABLE UPON REQUEST

SEE REVISION TABLE EIC NO: CPG2016-0351 DRAWN: BCHENO6_USY 2015/07/23 CHKD: CHYK APPR: CHIRSCHY 2015/07/28	QUALITY SYMBOLS	GENERAL TOLERANCES (UNLESS SPECIFIED)	DIMENSION STYLE	SCALE	DESIGN UNITS	THIRD ANGLE PROJECTION	
	▽=0	4 PLACES ± mm	MM ONLY	1:1	METRIC	☉	
	▽=0	3 PLACES ± INCH					
	▽=0	2 PLACES ± 0.13					
	1 PLACE ± 0.25						
	0 PLACE ±						
	ANGULAR ± 2 °						
	DRAFT WHERE APPLICABLE MUST REMAIN WITHIN DIMENSIONS						
			DRAWN BY	DATE	TITLE		
			BCHENO6_USY	2014/10/07	ZSFP+ TO ZSFP+ 28G PASSIVE CABLE ASSEMBLY		
			CHECKED BY	DATE			
			BHATFIELD	2014/10/07			
			APPROVED BY	DATE			
			CHIRSCHY	2015/07/28			
			MATERIAL NO.	DOCUMENT NO.		SHEET NO.	
			SEE P/N TABLE	SD-111145-0001		3 OF 4	
			THIS DRAWING CONTAINS INFORMATION THAT IS PROPRIETARY TO MOLEX INCORPORATED AND SHOULD NOT BE USED WITHOUT WRITTEN PERMISSION				



NOTES:

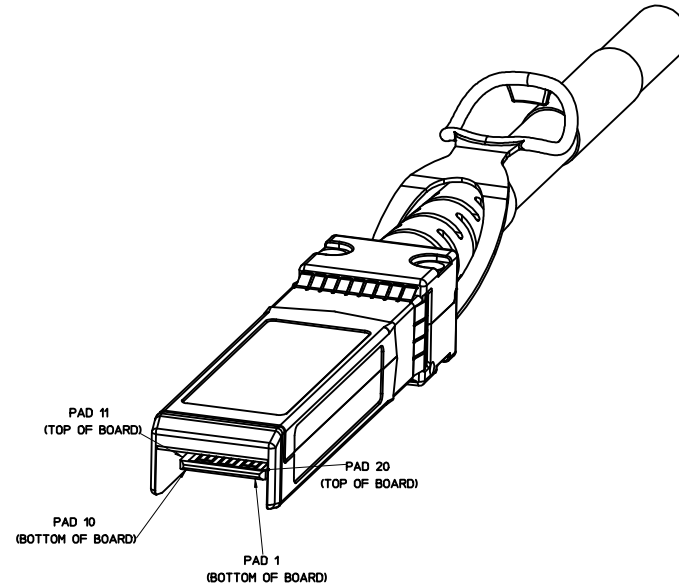
1. MATERIALS
 BACKSHELLS - NICKEL PLATED ZINC
 DE-LATCH - PLASTIC
 PCB - FR-4
 RIVETS - STAINLESS STEEL
2. IMPEDANCE - 100 OHMS DIFFERENTIAL, PASSIVE
3. PULL TO RELEASE, PLUNGER STYLE LATCH
4. EACH ASSEMBLY HAS A SERIAL ID
5. 11.09 Gbps BACKWARDS COMPATIBLE TO 1.0625 Gbps
6. RoHS COMPLIANT, NO EXEMPTIONS.

SEE REV HISTORY IEC NO: CPG2015-5729 DRAWN BY: DRWNB/CHENG USY 2015/05/01 CHECKED BY: CHYD/BAH/FIELD 2015/05/01 APPROVED BY: APPR/CHIRSCHY 2015/05/05 REVISIONS: 1. DESCRIPTION	QUALITY SYMBOLS ▽=0 ▽=0 ▽=0		GENERAL TOLERANCES (UNLESS SPECIFIED) <table border="1"> <thead> <tr> <th></th> <th>mm</th> <th>INCH</th> </tr> </thead> <tbody> <tr> <td>4 PLACES</td> <td>±---</td> <td>±---</td> </tr> <tr> <td>3 PLACES</td> <td>±---</td> <td>±---</td> </tr> <tr> <td>2 PLACES</td> <td>±0.13</td> <td>±---</td> </tr> <tr> <td>1 PLACE</td> <td>±0.25</td> <td>±---</td> </tr> <tr> <td>0 PLACE</td> <td>±</td> <td>±</td> </tr> </tbody> </table>			mm	INCH	4 PLACES	±---	±---	3 PLACES	±---	±---	2 PLACES	±0.13	±---	1 PLACE	±0.25	±---	0 PLACE	±	±	DIMENSION STYLE MM ONLY	SCALE 2.5:1	DESIGN UNITS METRIC	THIRD ANGLE PROJECTION
		mm	INCH																							
	4 PLACES	±---	±---																							
3 PLACES	±---	±---																								
2 PLACES	±0.13	±---																								
1 PLACE	±0.25	±---																								
0 PLACE	±	±																								
DRAFT WHERE APPLICABLE MUST REMAIN WITHIN DIMENSIONS			DRAWN BY: JERWIN DATE: 2007/01/30 CHECKED BY: K LLOYD DATE: 2007/01/30 APPROVED BY: RMAHMOOD DATE: 2007/01/30		TITLE SFP+ 10G PASSIVE CABLE ASSEMBLY		SHEET NO. 1 OF 4																			
MATERIAL NO.			SEE SHEET 3		DOCUMENT NO. SD-74752-001																					
THIS DRAWING CONTAINS INFORMATION THAT IS PROPRIETARY TO MOLEX INCORPORATED AND SHOULD NOT BE USED WITHOUT WRITTEN PERMISSION																										

WIRING DIAGRAM					
P1 END			P2 END		
PAD	SIGNAL		PAD	SIGNAL	
12	RD-	←	19	TD-	
13	RD+	←	18	TD+	
18	TD+	→	13	RD+	
19	TD-	→	12	RD-	

LOW SPEED SIGNALS	
SFP+	
PAD	SIGNAL
02	Tx_Fault
03	Tx_Disable
04	SDA
05	SCL
06	Mod_ABS
07	RS0
08	Rx_LOS
09	RS1
15	VccR
16	VccT

SFP+



CUSTOM LENGTHS AVAILABLE.
 LONGER LENGTH APPLICATIONS REQUIRE
 HOST SYSTEM PRE-EMPHASIS AND
 EQUALIZATION.
 SEE DATASHEET FOR MORE INFORMATION.

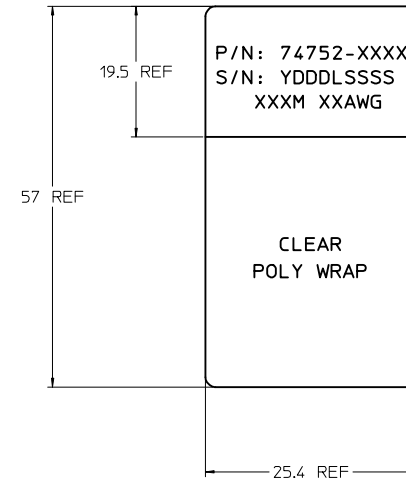
SEE REV HISTORY IEC NO: CPG2015-5729 DRAWN BY: JERWIN CHECKED BY: KLOYD APPROVED BY: RMAHMOOD DATE: 2015/05/01 DATE: 2015/05/01 DATE: 2015/05/05	QUALITY SYMBOLS ▽=0 ▽=0 ▽=0	GENERAL TOLERANCES (UNLESS SPECIFIED) <table border="1"> <tr> <th></th> <th>mm</th> <th>INCH</th> </tr> <tr> <td>4 PLACES</td> <td>±0.13</td> <td>±0.005</td> </tr> <tr> <td>3 PLACES</td> <td>±0.25</td> <td>±0.010</td> </tr> <tr> <td>2 PLACES</td> <td>±0.38</td> <td>±0.015</td> </tr> <tr> <td>1 PLACE</td> <td>±0.51</td> <td>±0.020</td> </tr> <tr> <td>0 PLACE</td> <td>±0.64</td> <td>±0.025</td> </tr> </table> ANGULAR ± 2 ° DRAFT WHERE APPLICABLE MUST REMAIN WITHIN DIMENSIONS		mm	INCH	4 PLACES	±0.13	±0.005	3 PLACES	±0.25	±0.010	2 PLACES	±0.38	±0.015	1 PLACE	±0.51	±0.020	0 PLACE	±0.64	±0.025	DIMENSION STYLE MM ONLY	SCALE 4:1	DESIGN UNITS METRIC	THIRD ANGLE PROJECTION
		mm	INCH																					
	4 PLACES	±0.13	±0.005																					
	3 PLACES	±0.25	±0.010																					
2 PLACES	±0.38	±0.015																						
1 PLACE	±0.51	±0.020																						
0 PLACE	±0.64	±0.025																						
DRAWN BY: JERWIN CHECKED BY: KLOYD APPROVED BY: RMAHMOOD DATE: 2015/05/01 DATE: 2015/05/01 DATE: 2015/05/05	TITLE SFP+ 10G PASSIVE CABLE ASSEMBLY	MATERIAL NO. SEE SHEET 3	DOCUMENT NO. SD-74752-001	SHEET NO. 2 OF 4																				
THIS DRAWING CONTAINS INFORMATION THAT IS PROPRIETARY TO MOLEX INCORPORATED AND SHOULD NOT BE USED WITHOUT WRITTEN PERMISSION																								
SIZE D																								

PART NUMBER CHART

PART NUMBER	LENGTH	TOL.	AWG
747520010	0.3M	±0.03M	32
747520011	0.5M	±0.03M	32
747520012	1.0M	±0.05M	32
747520013	2.0M	±0.05M	32
747520014	3.0M	±0.05M	32
747520015	4.0M	±0.05M	32
747520016	5.0M	±0.08M	32
747521031	0.3M	±0.03M	30
747521051	0.5M	±0.03M	30
747521101	1.0M	±0.05M	30
747521151	1.5M	±0.05M	30
747521201	2.0M	±0.05M	30
747521301	3.0M	±0.05M	30
747521401	4.0M	±0.05M	30
747521501	5.0M	±0.08M	30
747521601	6.0M	±0.08M	30
747521701	7.0M	±0.08M	30
747521801	8.0M	±0.08M	30
747521901	9.0M	±0.08M	30
747529001	10.0M	±0.08M	30
747522031	0.3M	±0.03M	28
747522051	0.5M	±0.03M	28
747522101	1.0M	±0.05M	28
747522151	1.5M	±0.05M	28
747522201	2.0M	±0.05M	28
747522301	3.0M	±0.05M	28
747522401	4.0M	±0.05M	28
747522501	5.0M	±0.08M	28
747522701	7.0M	±0.08M	28
747522801	8.0M	±0.08M	28
747522901	9.0M	±0.08M	28
747529002	10.0M	±0.08M	28
747529010	15.0M	±0.08M	28

PART NUMBER	LENGTH	TOL.	AWG
747523051	0.5M	±0.03M	26
747523061	0.6M	±0.03M	26
747523101	1.0M	±0.05M	26
747523201	2.0M	±0.05M	26
747523301	3.0M	±0.05M	26
747523501	5.0M	±0.08M	26
747523701	7.0M	±0.08M	26
747523901	9.0M	±0.08M	26
747529003	10.0M	±0.08M	26
747529225	1.6M	±0.05M	26
747529226	1.75M	±0.05M	26
747529227	2.25M	±0.05M	26
747524051	0.5M	±0.03M	24
747524101	1.0M	±0.05M	24
747524201	2.0M	±0.05M	24
747524301	3.0M	±0.05M	24
747524401	4.0M	±0.05M	24
747524501	5.0M	±0.08M	24
747524541	5.4M	±0.08M	24
747524571	5.7M	±0.08M	24
747524601	6.0M	±0.08M	24
747524701	7.0M	±0.08M	24
747524801	8.0M	±0.08M	24
747524901	9.0M	±0.08M	24
747529004	10.0M	±0.08M	24
747529013	11.0M	±0.08M	24
747529008	12.0M	±0.08M	24
747529015	13.0M	±0.08M	24
747529016	14.0M	±0.08M	24
747529007	15.0M	±0.08M	24

CABLE LABEL DETAIL



YDDDLSSSS
 Y---YEAR, THE LAST DIGIT OF THE YEAR
 DDD---DAY OF THE YEAR
 L---LOCATION (1=US, 2=MEXICO, 3=CHINA, 4=PHILIPPINES)
 SSSS---SERIAL NUMBER (UNIQUE AT P/N LEVEL ONLY)

XXXM---LENGTH AS SHOWN IN P/N CHART

XXAWG---AWG SIZE

SEE REV HISTORY EC NO: CPG2015-5729 DRAWN BY: JERWIN CHECKED BY: KLOYD APPROVED BY: RMAHMOOD DATE: 2015/05/01 DATE: 2015/05/01 DATE: 2015/05/05	QUALITY SYMBOLS ∇=0 ∇=0 ∇=0	GENERAL TOLERANCES (UNLESS SPECIFIED)		DIMENSION STYLE MM ONLY		SCALE 1:1	DESIGN UNITS METRIC	THIRD ANGLE PROJECTION		
		4 PLACES ±--- ±--- 3 PLACES ±--- ±--- 2 PLACES ±0.13 ±--- 1 PLACE ±0.25 ±--- 0 PLACE ± ±	mm INCH	DRAWN BY JERWIN	DATE 2007/01/30	CHECKED BY KLOYD	DATE 2007/01/30	SFP+ 10G PASSIVE CABLE ASSEMBLY		
		ANGULAR ± 2 °		MATERIAL NO. SEE CHART	DATE 2007/01/30	APPROVED BY RMAHMOOD		DOCUMENT NO. SD-74752-001	SHEET NO. 3 OF 4	
		DRAFT WHERE APPLICABLE MUST REMAIN WITHIN DIMENSIONS		THIS DRAWING CONTAINS INFORMATION THAT IS PROPRIETARY TO MOLEX INCORPORATED AND SHOULD NOT BE USED WITHOUT WRITTEN PERMISSION						



Стандарт Электрон Связь

Мы молодая и активно развивающаяся компания в области поставок электронных компонентов. Мы поставляем электронные компоненты отечественного и импортного производства напрямую от производителей и с крупнейших складов мира.

Благодаря сотрудничеству с мировыми поставщиками мы осуществляем комплексные и плановые поставки широчайшего спектра электронных компонентов.

Собственная эффективная логистика и склад в обеспечивает надежную поставку продукции в точно указанные сроки по всей России.

Мы осуществляем техническую поддержку нашим клиентам и предпродажную проверку качества продукции. На все поставляемые продукты мы предоставляем гарантию .

Осуществляем поставки продукции под контролем ВП МО РФ на предприятия военно-промышленного комплекса России , а также работаем в рамках 275 ФЗ с открытием отдельных счетов в уполномоченном банке. Система менеджмента качества компании соответствует требованиям ГОСТ ISO 9001.

Минимальные сроки поставки, гибкие цены, неограниченный ассортимент и индивидуальный подход к клиентам являются основой для выстраивания долгосрочного и эффективного сотрудничества с предприятиями радиоэлектронной промышленности, предприятиями ВПК и научно-исследовательскими институтами России.

С нами вы становитесь еще успешнее!

Наши контакты:

Телефон: +7 812 627 14 35

Электронная почта: sales@st-electron.ru

Адрес: 198099, Санкт-Петербург,
Промышленная ул, дом № 19, литера Н,
помещение 100-Н Офис 331