

K-no.: 26019

**25 A Current Sensor for 5V- Supply Voltage**

Date: 12.07.2012

 For electronic current measurement:  
 DC, AC, pulsed, mixed ..., with a galvanic  
 isolation between primary circuit  
 (high power) and secondary circuit  
 (electronic circuit)

Customer: Standard type

Customers Part no.:

Page 1 of 2

**Description**

- Closed loop (compensation) Current Sensor with magnetic field probe
- Printed circuit board mounting
- Casing and materials UL-listed

**Characteristics**

- Excellent accuracy
- Very low offset current
- Very low temperature dependency and offset current drift
- Very low hysteresis of offset current
- Short response time
- Wide frequency bandwidth
- Compact design
- Reduced offset ripple

**Applications**

Mainly used for stationary operation in industrial applications:

- AC variable speed drives and servo motor drives
- Static converters for DC motor drives
- Battery supplied applications
- Switched Mode Power Supplies (SMPS)
- Power Supplies for welding applications
- Uninterruptible Power Supplies (UPS)

**Electrical data – Ratings**

$I_{PN}$	Primary nominal r.m.s. current	25	A
$V_{out}$	Output voltage @ $I_P$	$V_{Ref} \pm (0.625 \cdot I_P / I_{PN})$	V
$V_{out}$	Output voltage @ $I_P=0, T_A=25^\circ C$	$V_{Ref} \pm 0.00135$	V
$V_{Ref}$	External Reference voltage range	0...4	V
	Internal Reference voltage	$2.5 \pm 0.005$	V
$K_N$	Turns ratio	1...4 : 2000	

**Accuracy – Dynamic performance data**

		min.	typ.	max.	Unit
$I_{P,max}$	Max. measuring range	±85			
X	Accuracy @ $I_{PN}, T_A=25^\circ C$			0.7	%
$\epsilon_L$	Linearity			0.1	%
$V_{out} - V_{Ref}$	Offset voltage @ $I_P=0, T_A=25^\circ C$			±1,35	mV
$\Delta V_o / V_{Ref} / \Delta T$	Temperature drift of $V_{out}$ @ $I_P=0, V_{Ref}=2,5V, T_A=-40...85^\circ C$	3		10	ppm/°C
$t_r$	Response time @ 90% von $I_{PN}$		300		ns
$\Delta t (I_{P,max})$	Delay time at $di/dt = 100 A/\mu s$		200		ns
f	Frequency bandwidth	DC...200			kHz

**General data**

		min.	typ.	max.	Unit
$T_A$	Ambient operating temperature	-40		+85	°C
$T_S$	Ambient storage temperature	-40		+105	°C
m	Mass		12		g
$V_C$	Supply voltage	4.75	5	5.25	V
$I_C$	Current consumption		15		mA

 Constructed and manufactured and tested in accordance with EN 61800-5-1 (Pin 1 – 4 to Pin 5 – 12)  
 Reinforced insulation, Insulation material group 1, Pollution degree 2

$S_{clear}$	Clearance (component without solder pad)	9.6			mm
$S_{creep}$	Creepage (component without solder pad)	10.6			mm
$V_{sys}$	System voltage overvoltage category 3	RMS		600	V
$V_{work}$	Working voltage	RMS		1060	V
$U_{PD}$	Rated discharge voltage	peak value		1320	V

Date	Name	Issue	Amendment
12.07.12	Ga.	81	Date changed.

Hrsg.: KB-E editor	Bearb.: Le designer	KB-PM: KRe. check	freig.: HS released
-----------------------	------------------------	----------------------	------------------------

K-no.: 26019

**25 A Current Sensor for 5V- Supply Voltage**

Date: 12.07.2012

For electronic current measurement:  
DC, AC, pulsed, mixed ..., with a galvanic  
isolation between primary circuit  
(high power) and secondary circuit  
(electronic circuit)

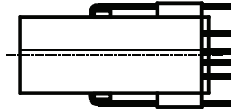
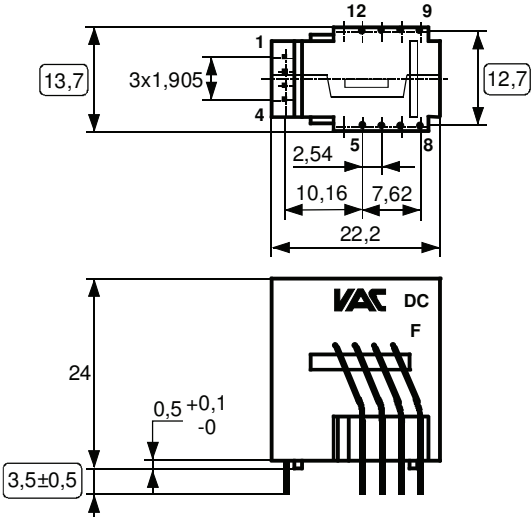
Customer: Standard type

Customers Part no.:

Page 2 of 2

**Mechanical outline (mm):**

General tolerances DIN ISO 2768-c



○ test dimension

Tolerances grid distance ±0,2mm

Connections:

1...4: 0,46\*0,46 mm  
5..12: Ø 1 mm

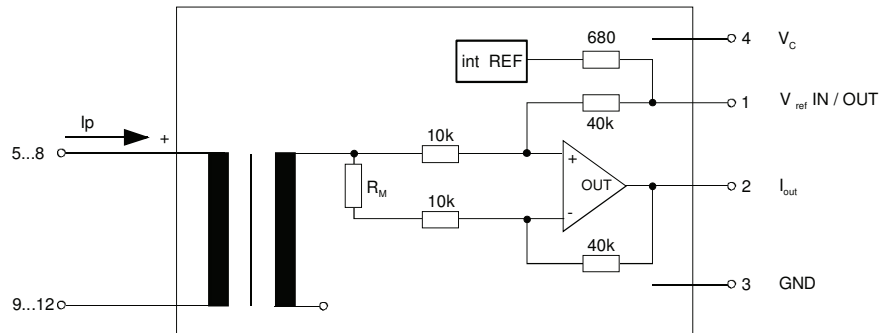
Marking:

**VAC**  
4646X761  
F DC

**Explanation:**

DC = Date Code,  
F = Factory Code  
Size = YWW

**Schematic diagram**



**Possibilities of wiring**

(@ TA = 85 °C)

primary windings	primary current RMS	primary current maximal	output voltage RMS	turns ratio	primary resistance	wiring
$N_P$	$I_P$ [A]	$\hat{I}_{P,max}$ [A]	$V_{out}(I_P)$ [V]	$K_N$	$R_P$ [mΩ]	
1	25	±85	2.5±0.625	1:2000	0.25	
2	12	±42	2.5±0.600	2:2000	1.0	
4	6	±21	2.5±0.600	4:2000	4	

Operating temperature of the current sensor and the primary conductor must not exceed 105 °C.

Additional information is obtainable on request.

This specification is no declaration of warranty acc. BGB §443 dar.

Hrsg.: KB-E  
editor

Bearb.: Le  
designer

KB-PM: KRe.  
check

freig.: HS  
released

K-No.: 26019

**25 A Current Sensor for 5V-Supply Voltage**

Date: 12.07.2012

 For the electronic measurement of currents:  
 DC, AC, pulsed, mixed ..., with a galvanic  
 Isolation between the primary circuit  
 (high power) and the secondary circuit

Customer:

Customers Part No.:

Page 1 of 2

**Electrical Data**

		min.	typ.	max.	Unit
$V_{Ctot}$	Maximum supply voltage (without function)			6	V
$I_C$	Supply Current with primary current	$15mA + I_p \cdot K_N + V_{out}/R_L$			mA
$I_{out,SC}$	Short circuit output current	$\pm 20$			mA
$R_P$	Resistance / primary winding @ $T_A=25^\circ C$	1			m $\Omega$
$R_S$	Secondary coil resistance @ $T_A=85^\circ C$	67			$\Omega$
$R_{i,Ref}$	Internal resistance of Reference input	670			$\Omega$
$R_{i,(V_{out})}$	Output resistance of $V_{out}$	1			$\Omega$
$R_L$	External recommended resistance of $V_{out}$	1			k $\Omega$
$C_L$	External recommended capacitance of $V_{out}$	500			pF
$\Delta X_{Ti} / \Delta T$	Temperature drift of X @ $T_A = -40 \dots +85^\circ C$	40			ppm/K
$\Delta V_0 = \Delta(V_{out} - V_{Ref})$	Sum of any offset drift including:	2			mV
$V_{0t}$	Longtermdrift of $V_0$	1			mV
$V_{0T}$	Temperature drift von $V_0$ @ $T_A = -40 \dots +85^\circ C$	1			mV
$V_{0H}$	Hysteresis of $V_{out}$ @ $I_P=0$ (after an overload of $10 \times I_{PN}$ )	2			mV
$V_{0H}$	Hysteresis of $V_{out}$ @ $I_P=0$ (after an overload of 66 A)	0.5			mV
$\Delta V_0 / \Delta V_C$	Supply voltage rejection ratio	1			mV/V
$V_{oss}$	Offsetripple (with 1 MHz- filter first order)	30			mV
$V_{oss}$	Offsetripple (with 100 kHz- filter first order)	3			mV
$V_{oss}$	Offsetripple (with 20 kHz- filter first order)	0.8			mV
$C_k$	Maximum possible coupling capacity (primary – secondary)	5			pF
	Mechanical stress according to M3209/3	30g			
	Settings: 10 – 2000 Hz, 1 min/Decade, 2 hours				

**Inspection** (Measurement after temperature balance of the samples at room temperature; SC = significant characteristic)

$V_{out} (I_P=I_{PN})$	(V)	M3011/6:	Output voltage vs. external reference ( $I_P=25A$ , 40-80Hz)	$625 \pm 0,7\%$	mV (SC)
$V_{out} - V_{Ref} (I_P=0)$	(V)	M3226:	Offset voltage	$\pm 0.00135$	V
$V_d$	(V)	M3014:	Test voltage, rms, 1 s pin 1 – 4 vs. pin 5 – 12	1.8	kV
$V_e$	(AQL 1/S4)		Partial discharge voltage acc.M3024 (RMS) with $V_{vor}$ (RMS)	1400 1750	V V

**Type Testing** (Pin 1 - 4 to Pin 5 - 12)

$V_W$			HV transient test according to M3064 (1,2 $\mu s$ / 50 $\mu s$ -wave form)	8	kV	
$V_d$			Testing voltage to M3014	(5 s)	3.6	kV
$V_e$			Partial discharge voltage acc.M3024 (RMS) with $V_{vor}$ (RMS)	1400 1750	V V	

**Applicable documents**

Current direction: A positive output current appears at point  $I_S$ , by primary current in direction of the arrow.  
 Housing and bobbin material UL-listed: Flammability class 94V-0.  
 Enclosures according to IEC529: IP50.

Datum	Name	Index	Amendment
12.07.12	Ga	81	$V_{OH} \dots$ (after an overload of 66 A) received. Lapidary change.

Hrsg.: KB-E editor	Bearb.: Le. designer	KB-PM: KRe. check	freig.: HS released
-----------------------	-------------------------	----------------------	------------------------

K-No.: 26019

**25 A Current Sensor for 5V-Supply Voltage**

For the electronic measurement of currents:  
DC, AC, pulsed, mixed ..., with a galvanic  
Isolation between the primary circuit  
(high power) and the secondary circuit

Date: 12.07.2012

Customer:

Customers Part No.:

Page 2 of 2

**Explanation of several of the terms used in the tablets (in alphabetical order)**

$t_r$ : Response time (describe the dynamic performance for the specified measurement range), measured as delay time at  $I_P = 0,9 \cdot I_{PN}$  between a rectangular current and the output voltage  $V_{out}(I_P)$

$\Delta t(I_{Pmax})$ : Delay time (describe the dynamic performance for the rapid current pulse rate e.g short circuit current) measured between  $I_{Pmax}$  and the output voltage  $V_{out}(I_{Pmax})$  with a primary current rise of  $di_P/dt \geq 100 \text{ A}/\mu\text{s}$ .

$V_0$ : Offset voltage between  $V_{out}$  and the rated reference voltage of  $V_{ref} = 2,5V$ .  
 $V_0 = V_{out}(0) - 2,5V$

$U_{PD}$  Rated discharge voltage (recurring peak voltage separated by the insulation) proved with a sinusoidal voltage  $V_e$   
 $U_{PD} = \sqrt{2} \cdot V_e / 1,5$

$V_{vor}$  Defined voltage is the RMS value of a sinusoidal voltage with peak value of  $1,875 \cdot U_{PD}$  required for partial discharge test in IEC 61800-5-1

$$V_{vor} = 1,875 \cdot U_{PD} / \sqrt{2}$$

$V_{sys}$  System voltage RMS value of rated voltage according to IEC 61800-5-1

$V_{work}$  Working voltage voltage according to IEC 61800-5-1 which occurs by design in a circuit or across insulation

$V_{0H}$ : Zero variation of  $V_0$  after overloading with a DC of tenfold the rated value

$V_{0t}$ : Long term drift of  $V_0$  after 100 temperature cycles in the range -40 bis 85 °C.

$X$ : Permissible measurement error in the final inspection at RT, defined by

$$X = 100 \cdot \left| \frac{V_{out}(I_{PN}) - V_{out}(0)}{0,625V} - 1 \right| \%$$

$X_{ges}(I_{PN})$ : Permissible measurement error including any drifts over the temperature range by the current measurement  $I_{PN}$

$$X_{ges} = 100 \cdot \left| \frac{V_{out}(I_{PN}) - 2,5V}{0,625V} - 1 \right| \% \quad \text{or} \quad X_{ges} = 100 \cdot \left| \frac{V_{out}(I_{PN}) - V_{ref}}{0,625V} - 1 \right| \%$$

$\epsilon_L$ : Linearity fault defined by  $\epsilon_L = 100 \cdot \left| \frac{I_P}{I_{PN}} - \frac{V_{out}(I_P) - V_{out}(0)}{V_{out}(I_{PN}) - V_{out}(0)} \right| \%$

This "Additional information" is no declaration of warranty according BGB §443.

Hrsg.: KB-E  
editor

Bearb: Le.  
designer

KB-PM: KRe.  
check

freig.: HS  
released



## Стандарт Электрон Связь

Мы молодая и активно развивающаяся компания в области поставок электронных компонентов. Мы поставляем электронные компоненты отечественного и импортного производства напрямую от производителей и с крупнейших складов мира.

Благодаря сотрудничеству с мировыми поставщиками мы осуществляем комплексные и плановые поставки широчайшего спектра электронных компонентов.

Собственная эффективная логистика и склад в обеспечивает надежную поставку продукции в точно указанные сроки по всей России.

Мы осуществляем техническую поддержку нашим клиентам и предпродажную проверку качества продукции. На все поставляемые продукты мы предоставляем гарантию .

Осуществляем поставки продукции под контролем ВП МО РФ на предприятия военно-промышленного комплекса России , а также работаем в рамках 275 ФЗ с открытием отдельных счетов в уполномоченном банке. Система менеджмента качества компании соответствует требованиям ГОСТ ISO 9001.

Минимальные сроки поставки, гибкие цены, неограниченный ассортимент и индивидуальный подход к клиентам являются основой для выстраивания долгосрочного и эффективного сотрудничества с предприятиями радиоэлектронной промышленности, предприятиями ВПК и научно-исследовательскими институтами России.

С нами вы становитесь еще успешнее!

### Наши контакты:

**Телефон:** +7 812 627 14 35

**Электронная почта:** [sales@st-electron.ru](mailto:sales@st-electron.ru)

**Адрес:** 198099, Санкт-Петербург,  
Промышленная ул, дом № 19, литера Н,  
помещение 100-Н Офис 331