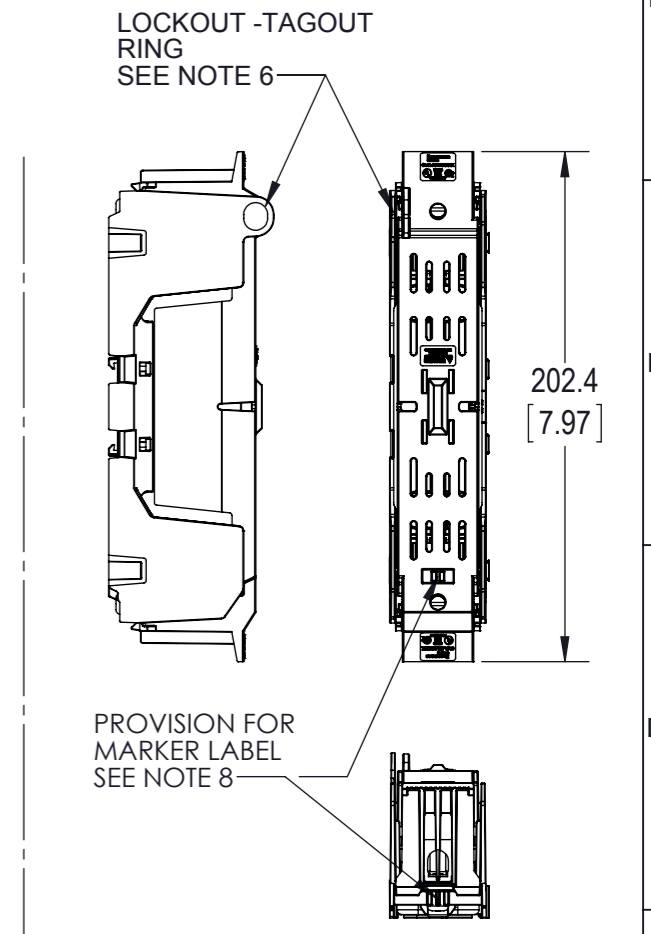
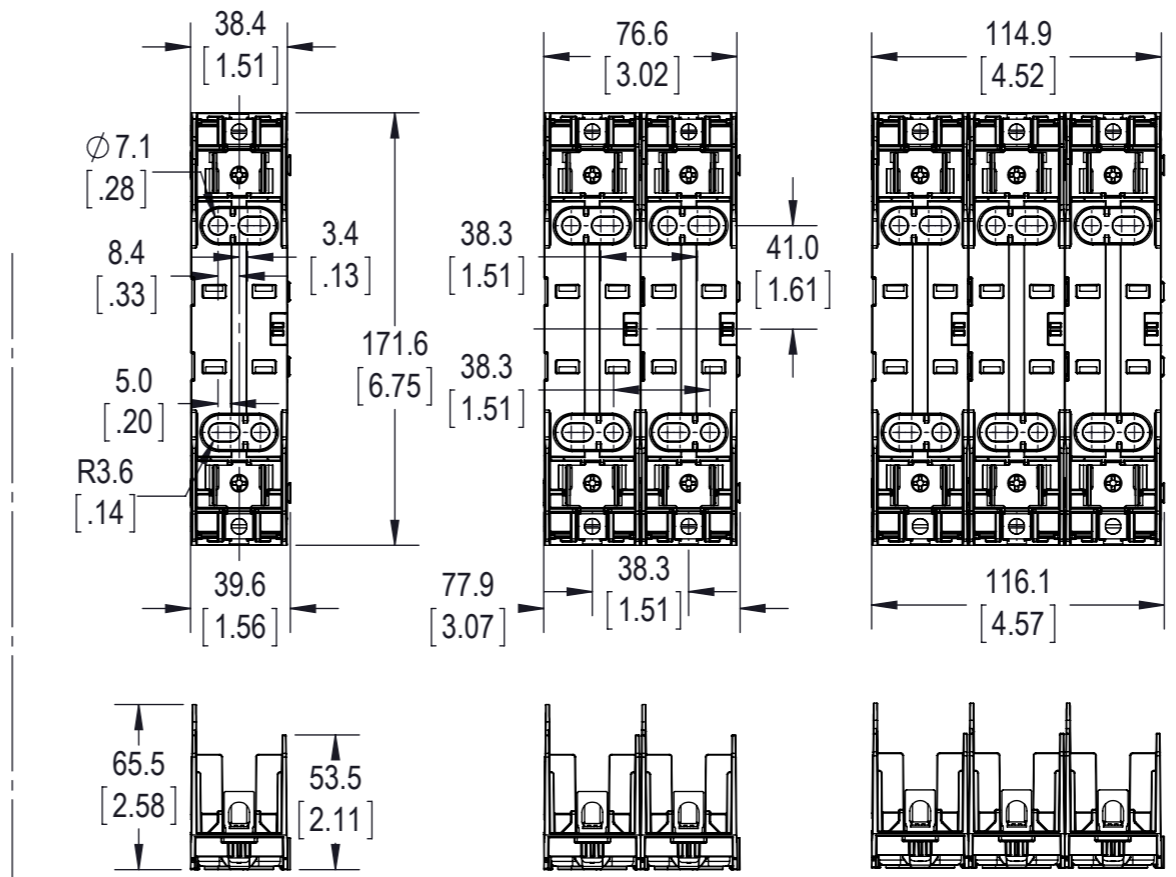
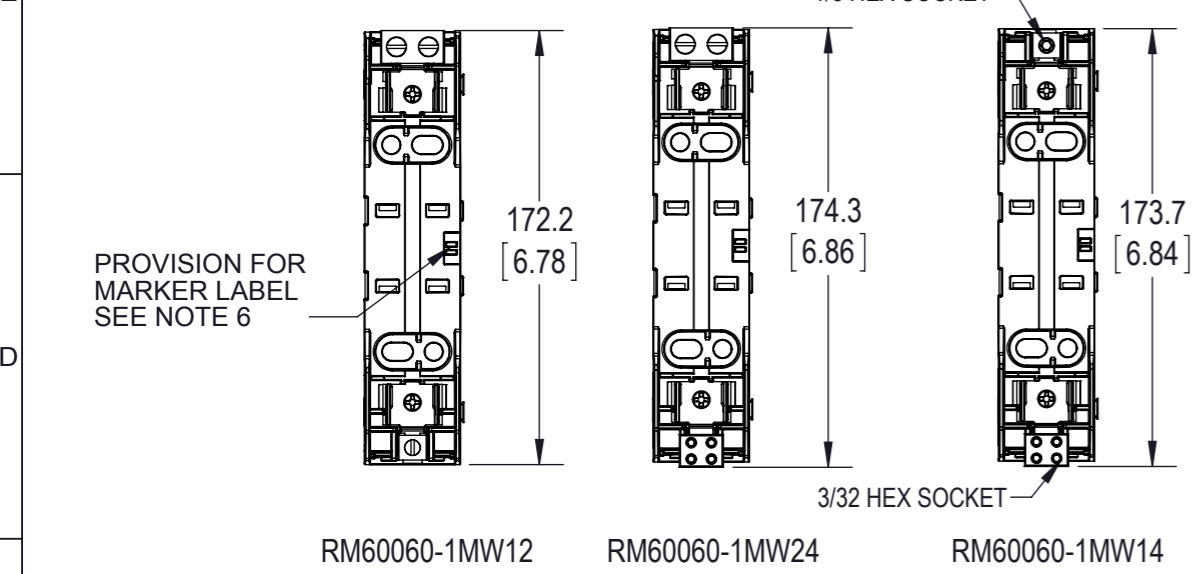


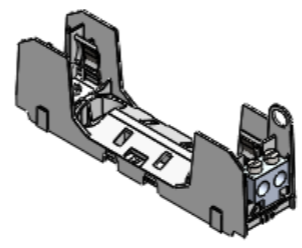
| CATALOG NO. | TERMINAL TYPE | IP20 FINGER SAFE COVERS | | NO. OF POLES |
|---------------|-----------------------|-------------------------|---------------|--------------|
| | | W/O INDICATION | INDICATION | |
| RM60060-1CR* | BOX LUG 1 PORT | | | 1 |
| RM60060-2CR* | BOX LUG 1 PORT | | | 2 |
| RM60060-3CR* | BOX LUG 1 PORT | | | 3 |
| RM60060-1MW14 | BOX LUG - 1 TO 4 PORT | | | 1 |
| RM60060-2MW14 | BOX LUG - 1 TO 4 PORT | | | 2 |
| RM60060-3MW14 | BOX LUG - 1 TO 4 PORT | | | 3 |
| RM60060-1MW12 | BOX LUG - 1 TO 2 PORT | CVR-RH-60060 | CVRI-RH-60060 | 1 |
| RM60060-2MW12 | BOX LUG - 1 TO 2 PORT | | | 2 |
| RM60060-3MW12 | BOX LUG - 1 TO 2 PORT | | | 3 |
| RM60060-1MW24 | BOX LUG - 2 TO 4 PORT | | | 1 |
| RM60060-2MW24 | BOX LUG - 2 TO 4 PORT | | | 2 |
| RM60060-3MW24 | BOX LUG - 2 TO 4 PORT | | | 3 |

* -CHR ALSO AVAILABLE; SEE NOTE 10

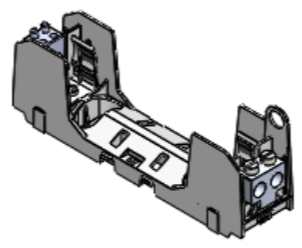


NOTES:

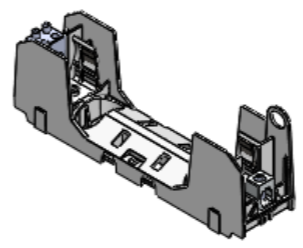
- VOLTAGE RATING: 600V
- AMPERAGE: 60A
- WITHSTAND RATING: CLASS R = 200kA; CLASS H = 10kA
- WIRE: -CR/-MW12/MW14 CU/AL 75C
-MW24 CU/AL 75/90C
- 1 PORT WIRE RANGE: (1) 2 - 14 AWG CU
2-3: 50 lb-in (5.6 Nm)
4-6, 45 lb-in (5.1 Nm)
8, 40 lb-in (4.5 Nm)
10-14, 35 lb-in (4.0 Nm)
(2) 12-14, 50 lb-in (5.6 Nm)
(1) 2 - 8 AWG AL
2-3: 50 lb-in (5.6 Nm)
4-6, 45 lb-in (5.1 Nm)
8, 40 lb-in (4.5 Nm)
- 4 PORT WIRE RANGE: (1) 8-14 AWG CU
8 AWG 3.4 Nm (30 in-lb)
14-10 2.8 Nm (25 in-lb)
(2) 12-14 AWG CU
12-14 3.4 Nm (30 in-lb)
(1) 8-10 AWG AL
8 Str/10 Sol: 3.4 Nm (30 in-lb)
- 2 PORT WIRE RANGE: (1) CU 2-14, AL 2-8
2 - 4 AWG 5.6 Nm (50 lb-in)
6-10 AWG 4.5 Nm (40 lb-in)
12-14 AWG 1.7 Nm (15 lb-in)
- USE 4MM DIA. CABLE LOCK OR 1/4 INCH DIA. HASP PADLOCK.
- RECOMMEND USING DIN-RAIL END STOPS FOR DIN RAIL MOUNTED APPLICATIONS
BUSSMANN PART NUMBERS BRKT-ND OR BRKT-NDSCREW2
- USE BUSSMANN MAKER LABEL TM26CB
- ALL DIMENSIONS ARE TYPICAL UNLESS OTHERWISE INDICATED
- CHR IS IDENTICAL TO THE -CR EXCEPT WITH A 1/8 INCH HEX WIRE CONNECTOR SCREW



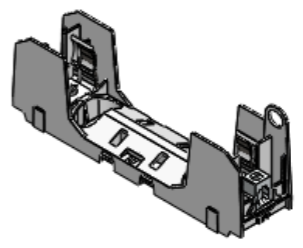
3D VIEW FOR RM60060-1MW12 SCALE NONE



3D VIEW FOR RM60060-1MW24 SCALE NONE



3D VIEW FOR RM60060-1MW14 SCALE NONE



3D VIEW FOR RM60060-1CR SCALE NONE



3D VIEW FOR RM60060-1xR WITH COVER SCALE NONE

EATON CORPORATION - CONFIDENTIAL AND PROPRIETARY
NOTICE TO PERSONS RECEIVING THIS DOCUMENT AND/OR TECHNICAL INFORMATION
THIS DOCUMENT, INCLUDING THE DRAWING AND INFORMATION CONTAINED THEREON, IS CONFIDENTIAL AND IS THE EXCLUSIVE PROPERTY OF EATON CORPORATION AND IS LOANED TO YOU BY EATON CORPORATION. IT IS NOT TO BE REPRODUCED, COPIED, OR DISCLOSED TO ANY OTHER PERSON OR ENTITY WITHOUT THE PRIOR WRITTEN CONSENT OF EATON CORPORATION. THIS DOCUMENT CANNOT BE USED IN ANY MANNER ADVERSE TO THE INTERESTS OF EATON AND THAT NO PORTION OF THIS DOCUMENT MAY BE COPIED OR OTHERWISE REPRODUCED WITHOUT THE PRIOR WRITTEN CONSENT OF EATON CORPORATION. IN THE CASE OF CONFLICTING CONTRACTUAL PROVISIONS, THIS NOTICE SHALL GOVERN THE STATUS OF THIS DOCUMENT.
© 2012 Eaton Corporation. All Rights Reserved.

THIS DRAWING IS AN UNCONTROLLED COPY IF PRINTED OR SENT ELECTRONICALLY. DO NOT SCALE DRAWING
GENERAL DRAWING PRACTICES IN ACCORDANCE WITH ASME - Y14.100-2004 DIMENSIONS AND TOLERANCES IN ACCORDANCE WITH ASME - Y14.5M-1994
UNLESS OTHERWISE SPECIFIED DIMENSIONS ARE IN MILLIMETERS
UNLESS OTHERWISE SPECIFIED TOLERANCES TO BE MILLIMETERS ± 0.13 mm ANGULAR ± 1°
CUSTOMER PRINT
THIRD ANGLE PROJECTION

EATON BUSSMANN SERIES

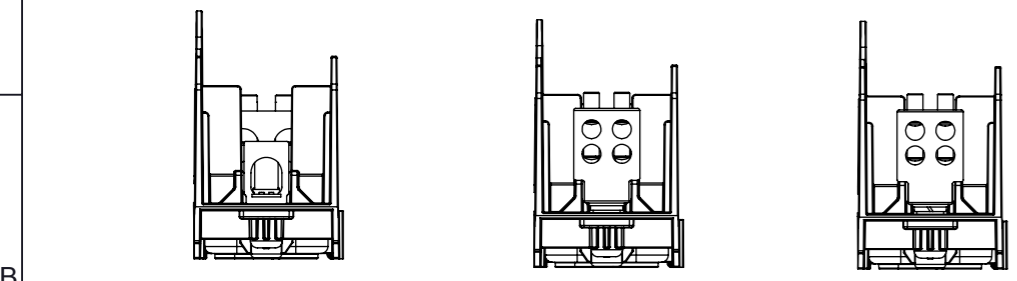
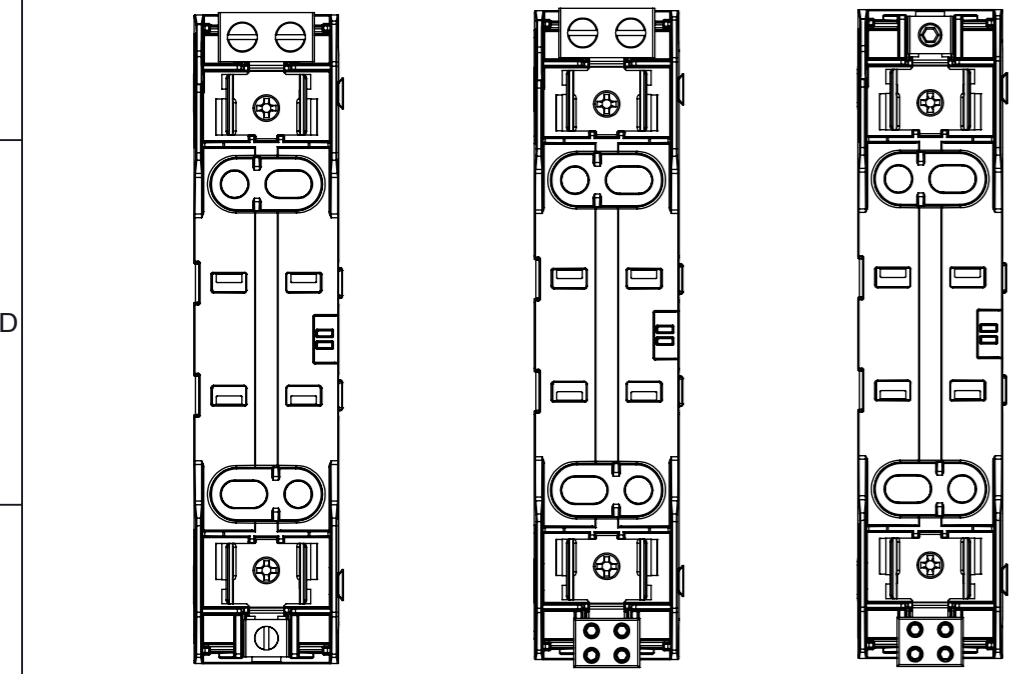
TITLE: **600V / 60AMP CLASS R & H FUSE BLOCK**

SIZE: **A3** DWG NO.: **RM60060-HM60060-CP** REV: **B**

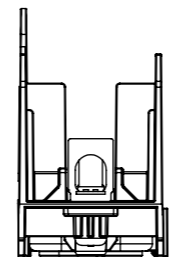
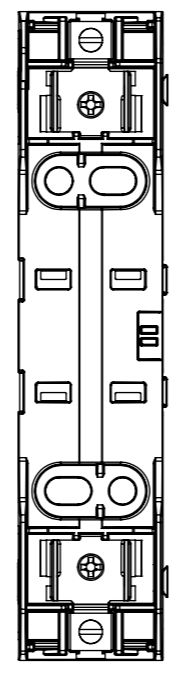
SCALE: 1:3 SHEET 1 OF 3

| CATALOG NO. | TERMINAL TYPE | IP20 FINGER SAFE COVERS | | NO. OF POLES |
|---------------|-----------------------|-------------------------|---------------|--------------|
| | | W/O INDICATION | INDICATION | |
| HM60060-1CR* | BOX LUG 1 PORT | CVR-RH-60060 | CVRI-RH-60060 | 1 |
| HM60060-2CR* | BOX LUG 1 PORT | | | 2 |
| HM60060-3CR* | BOX LUG 1 PORT | | | 3 |
| HM60060-1MW14 | BOX LUG - 1 TO 4 PORT | | | 1 |
| HM60060-2MW14 | BOX LUG - 1 TO 4 PORT | | | 2 |
| HM60060-3MW14 | BOX LUG - 1 TO 4 PORT | | | 3 |
| HM60060-1MW12 | BOX LUG - 1 TO 2 PORT | | | 1 |
| HM60060-2MW12 | BOX LUG - 1 TO 2 PORT | | | 2 |
| HM60060-3MW12 | BOX LUG - 1 TO 2 PORT | | | 3 |
| HM60060-1MW24 | BOX LUG - 2 TO 4 PORT | | | 1 |
| HM60060-2MW24 | BOX LUG - 2 TO 4 PORT | | | 2 |
| HM60060-3MW24 | BOX LUG - 2 TO 4 PORT | | | 3 |

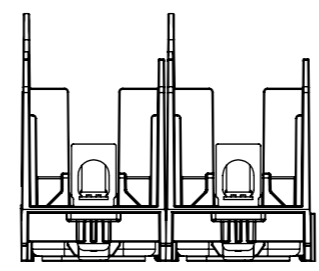
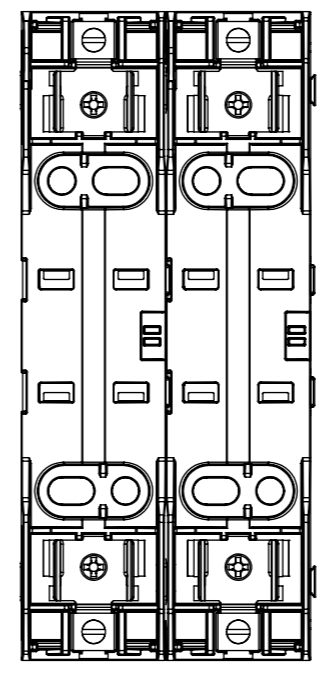
* -CHR ALSO AVAILABLE; SEE NOTE 10



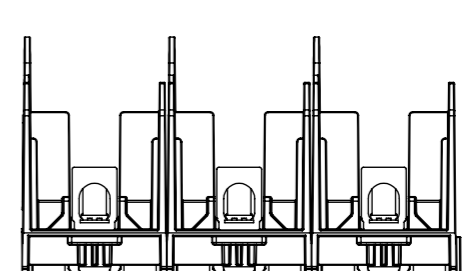
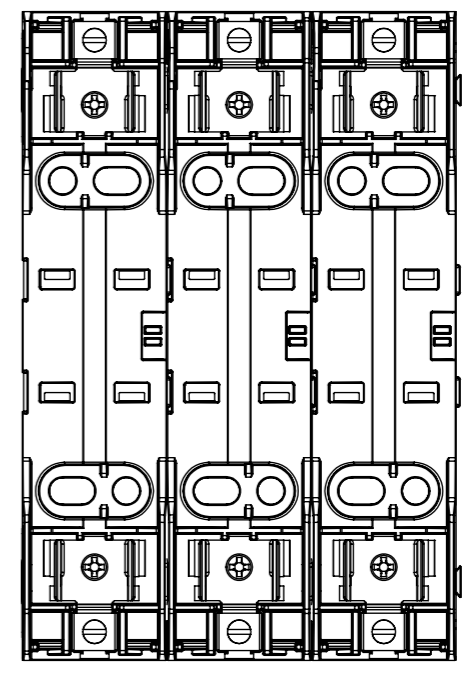
HM60060-1MW12 HM60060-1MW24 HM60060-1MW14



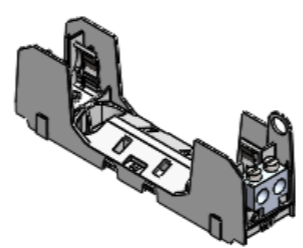
1-POLE
HM60060-1CR SHOWN



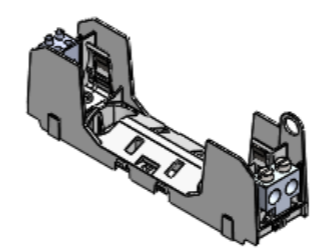
2-POLE
HM60060-2CR SHOWN



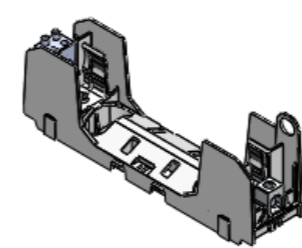
3-POLE
HM60060-3CR SHOWN



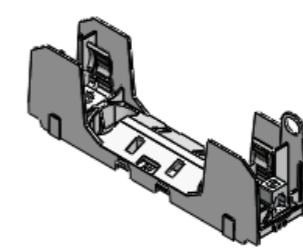
3D VIEW FOR
HM60060-1MW12
SCALE NONE



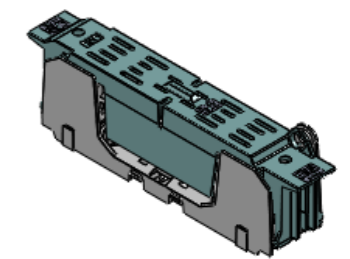
3D VIEW FOR
HM60060-1MW24
SCALE NONE



3D VIEW FOR
HM60060-1MW14
SCALE NONE



3D VIEW FOR
HM60060-1CR
SCALE NONE



3D VIEW FOR HM60060-1xR
WITH COVER
SCALE NONE

EATON BUSSMANN SERIES

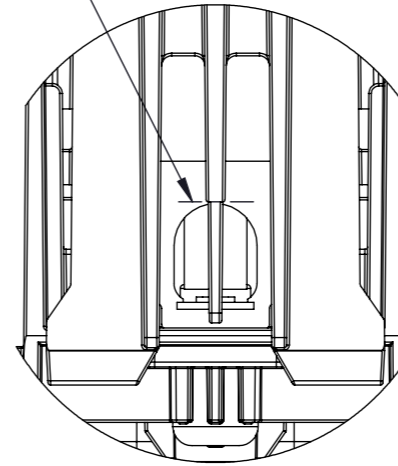
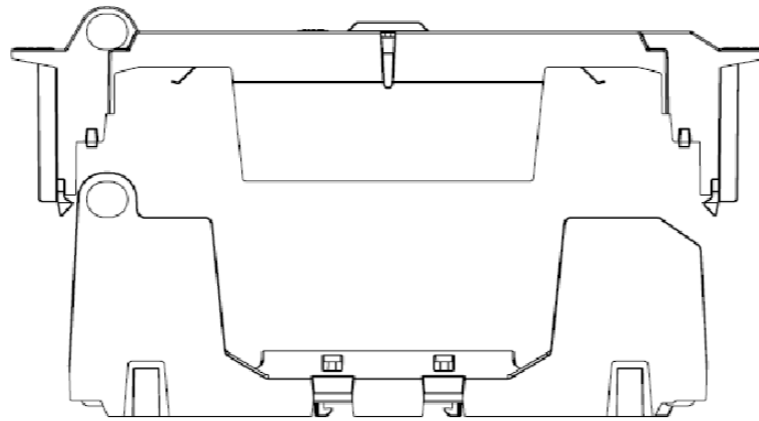
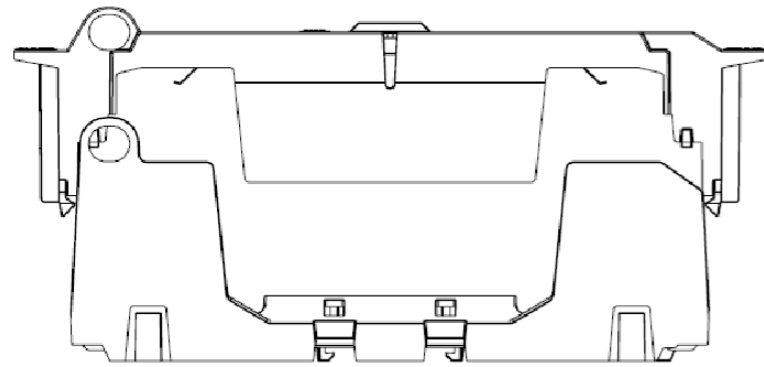
TITLE: **600V / 60AMP CLASS R & H FUSE BLOCK**

SIZE: **A3** DWG NO.: **RM60060-HM60060-CP** REV: **B**

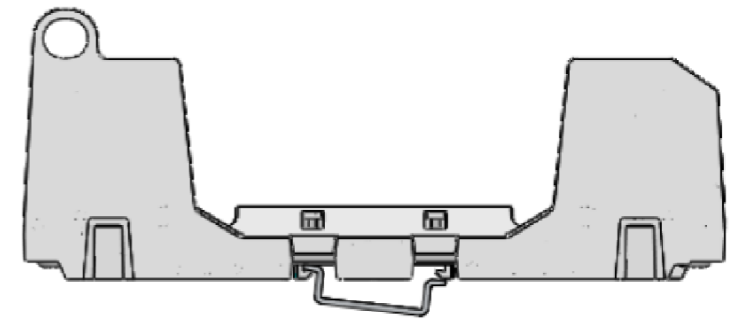
SCALE: 1:2 SHEET 2 OF 3

8.A3_BUSS_M60060_REV_A

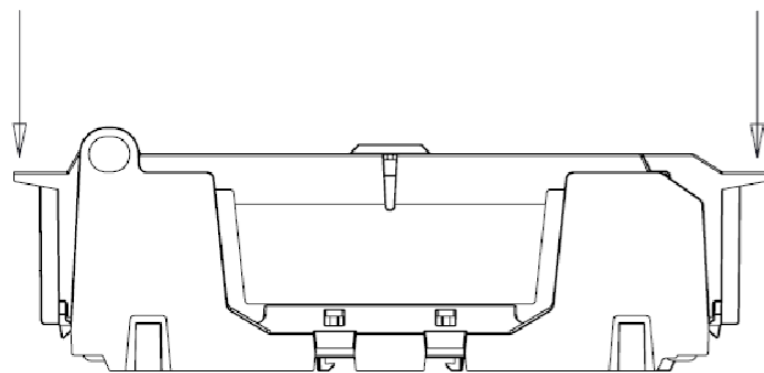
CUT COVER TAB
AT NOTCH FOR
USE WITH WIRES
LARGER THAN
8 AWG



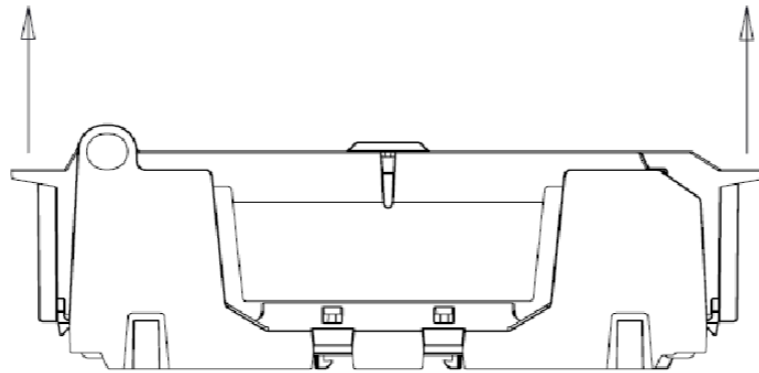
DETAIL A
SCALE 4 : 3



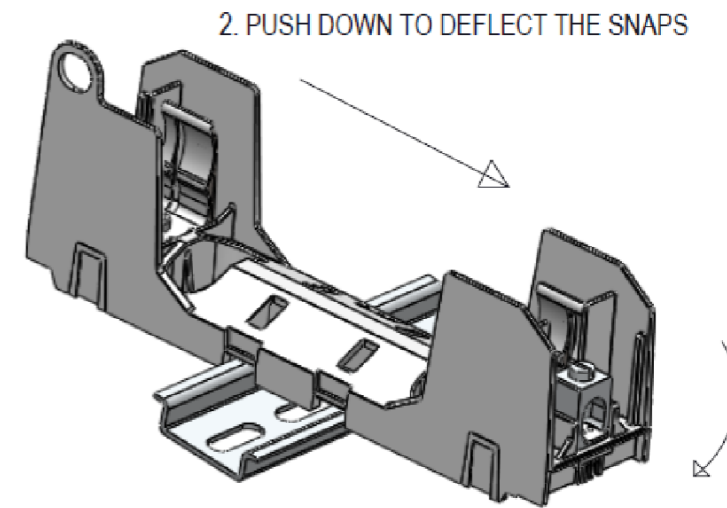
1. HOOK DIN RAIL SNAPS ON ONE SIDE OF THE DIN RAIL



CLOSING
PUSH STRAIGHT DOWN UNTIL SNAPS CLICK
INTO PLACE



OPENING
PULL STRAIGHT UP AT BOTH OUTSIDE
HANDLES



2. PUSH DOWN TO DEFLECT THE SNAPS

3. ROTATE UNTIL THE
OPPOSITE SIDE SNAPS
ONTO DIN RAIL

INSTALLATION ON DIN RAIL
END STOPS MAY BE NECESSARY FOR SOME
ASSEMBLY CONDITIONS - SEE NOTE 7



TITLE
600V / 60AMP CLASS R & H FUSE BLOCK

SIZE DWG NO. REV
A3 **RM60060-HM60060-CP** **B**

SCALE: 2:3 SHEET 3 OF 3

SLA3_BUSS_M60_CERBL_REV_A



Стандарт Электрон Связь

Мы молодая и активно развивающаяся компания в области поставок электронных компонентов. Мы поставляем электронные компоненты отечественного и импортного производства напрямую от производителей и с крупнейших складов мира.

Благодаря сотрудничеству с мировыми поставщиками мы осуществляем комплексные и плановые поставки широчайшего спектра электронных компонентов.

Собственная эффективная логистика и склад в обеспечивает надежную поставку продукции в точно указанные сроки по всей России.

Мы осуществляем техническую поддержку нашим клиентам и предпродажную проверку качества продукции. На все поставляемые продукты мы предоставляем гарантию .

Осуществляем поставки продукции под контролем ВП МО РФ на предприятия военно-промышленного комплекса России , а также работаем в рамках 275 ФЗ с открытием отдельных счетов в уполномоченном банке. Система менеджмента качества компании соответствует требованиям ГОСТ ISO 9001.

Минимальные сроки поставки, гибкие цены, неограниченный ассортимент и индивидуальный подход к клиентам являются основой для выстраивания долгосрочного и эффективного сотрудничества с предприятиями радиоэлектронной промышленности, предприятиями ВПК и научно-исследовательскими институтами России.

С нами вы становитесь еще успешнее!

Наши контакты:

Телефон: +7 812 627 14 35

Электронная почта: sales@st-electron.ru

Адрес: 198099, Санкт-Петербург,
Промышленная ул, дом № 19, литера Н,
помещение 100-Н Офис 331