

PLEASE CHECK WWW.MOLEX.COM FOR LATEST PART INFORMATION

Part Number: [0751941002](#)
Status: **Active**
Overview: vhdm_hsd
Description: 2.00mm (.079") Pitch VHDM® Lite-Series, Board-to-Board Backplane Header, Vertical, 6-Row, Open Signal Module, 60 Circuits, Pin Length 6.25mm (.246")

Documents:

[Drawing \(PDF\)](#) [RoHS Certificate of Compliance \(PDF\)](#)
[Product Specification PS-74031-999 \(PDF\)](#)

General

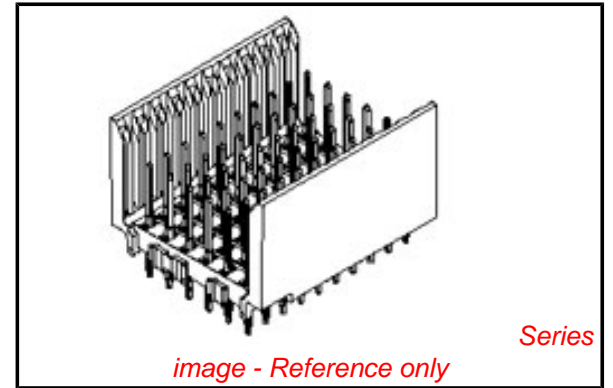
Product Family	Backplane Connectors
Series	75194
Application	Backplane
Application Tooling Documents	Tooling Manual
Comments	Open Header
Component Type	PCB Header
Overview	vhdm_hsd
Product Name	VHDM Lite®
Style	N/A

Physical

Circuits (Loaded)	60
Circuits (maximum)	60
Color - Resin	Black
Durability (mating cycles max)	200
First Mate / Last Break	No
Guide to Mating Part	No
Keying to Mating Part	None
Material - Metal	High Performance Alloy (HPA)
Material - Plating Mating	Gold
Material - Plating Termination	Tin-Lead
Material - Resin	High Temperature Thermoplastic
Number of Columns	10
Number of Pairs	Open Pin Field
Number of Rows	6
Orientation	Vertical
PCB Retention	Yes
PCB Thickness Recommended (in)	0.070 In
PCB Thickness Recommended (mm)	1.80 mm
Packaging Type	Tube
Pitch - Mating Interface (in)	0.079 In
Pitch - Mating Interface (mm)	2.00 mm
Plating min: Mating (µin)	30
Plating min: Mating (µm)	0.75
Plating min: Termination (µin)	30
Plating min: Termination (µm)	0.75
Polarized to PCB	Yes
Stackable	Yes
Surface Mount Compatible (SMC)	Yes
Temperature Range - Operating	-55°C to +105°C
Termination Interface: Style	Through Hole - Compliant Pin

Electrical

Current - Maximum per Contact	1A
-------------------------------	----



EU RoHS

RoHS Compliant by Exemption
REACH SVHC
Contains SVHC: No
Halogen-Free
Status

China RoHS



Need more information on product environmental compliance?

Email productcompliance@molex.com
 For a multiple part number RoHS Certificate of Compliance, [click here](#)

Please visit the [Contact Us](#) section for any non-product compliance questions.

Search Parts in this Series

75194Series

Mates With

75189 VHDM® Lite Board-to-Board Daughtercard

Use With

Daughtercard Modules

Application Tooling | FAQ

Tooling specifications and manuals are found by selecting the products below. Crimp Height Specifications are then contained in the Application Tooling Specification document.

Global

Description	Product #
VHDM® Signal Pin Inserter Repair Tool	0622015700
VHDM® Insertion Module for Advanced Mate Signal Header,	0622020207

Data Rate	622.0 Mbps
Real Signals (per 25mm)	72
Voltage - Maximum	120V AC (RMS)/DC

6 Row by 10 Wide, 20.00mm (.787")

Material Info

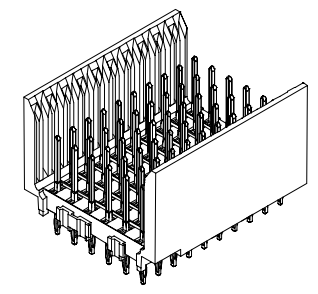
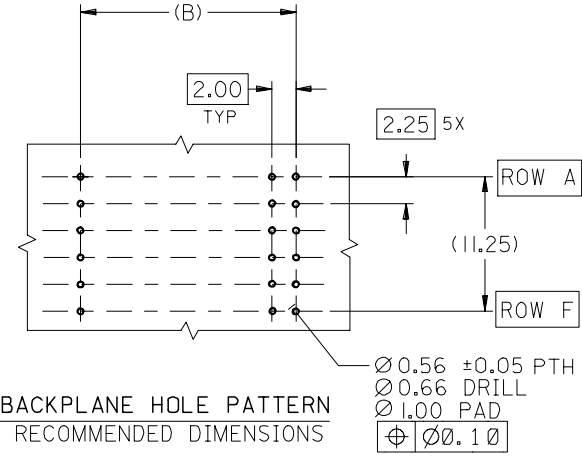
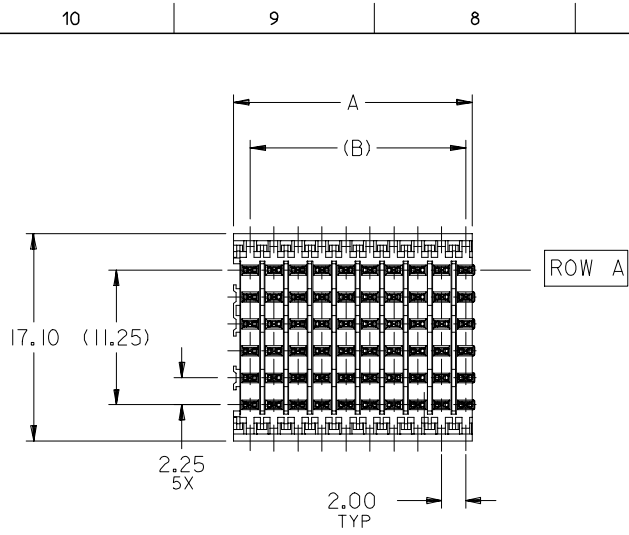
Reference - Drawing Numbers

Packaging Specification	PK-74057-003
Product Specification	PS-74031-999
Sales Drawing	SD-75194-001

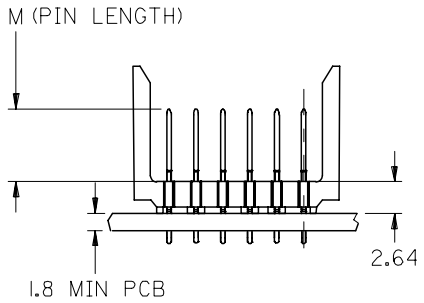
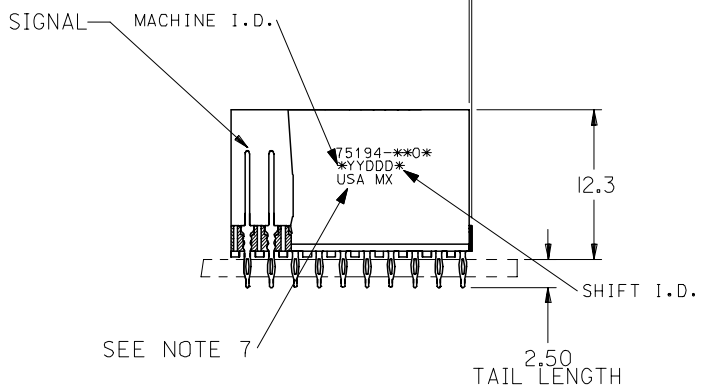
VHDM and Very High Density Metric are trademarks of Amphenol Corporation

This document was generated on 05/28/2010

PLEASE CHECK WWW.MOLEX.COM FOR LATEST PART INFORMATION

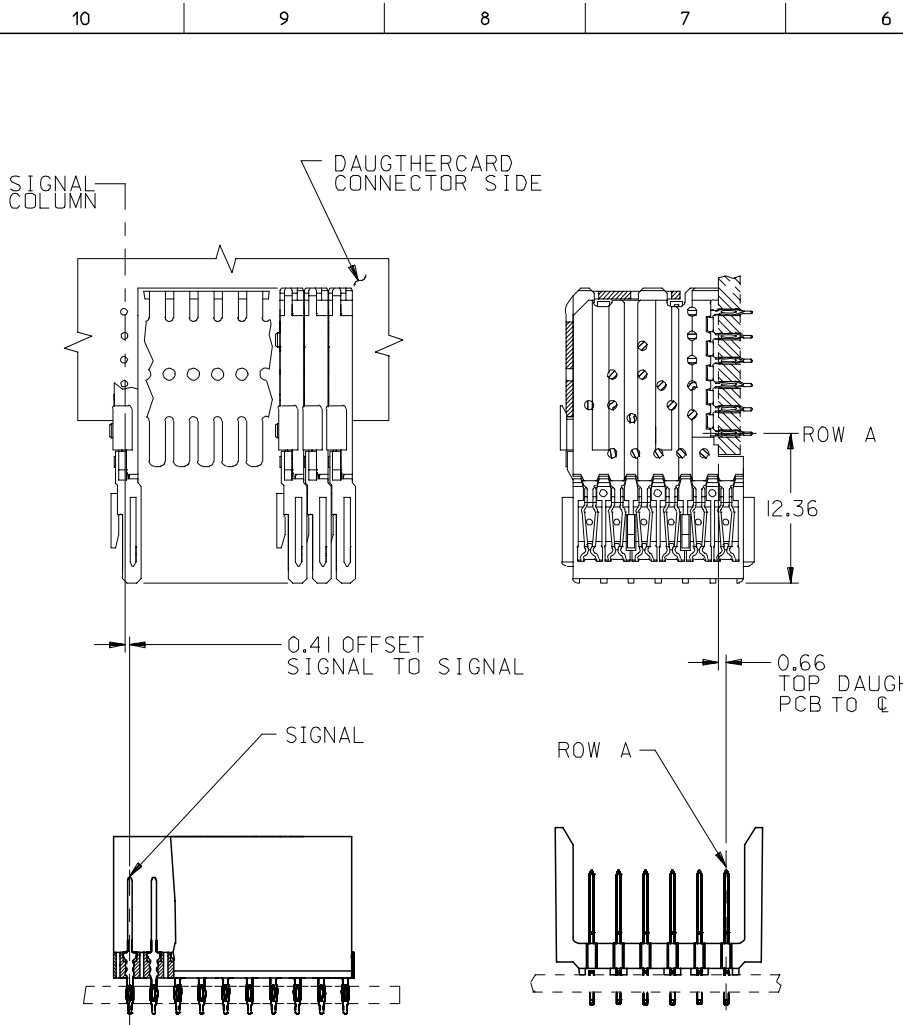


0.21 MAX OVERALL PROTRUSION



- NOTES:
- MATERIALS:
HOUSING - LIQUID CRYSTAL POLYMER (LCP), GLASS-FILLED, UL 94V-0, COLOR: BLACK
SIGNAL PIN - COPPER ALLOY
 - FINISHES:
CONTACT AREA: SELECTIVE GOLD (Au)
PCB TAILS: SELECTIVE TIN/LEAD (Sn/Pb) OR SELECTIVE MATTE TIN (Sn)
NICKEL (Ni) OVERALL.
 - THIS PART CONFORMS TO MOLEX PRODUCT SPECIFICATION PS-74031-999
 - FOR MIXED CONTACT LENGTHS CONSULT MOLEX FOR AVAILABILITY
 - FOR SPECIFIC MATERIAL NUMBERS & MATING INFORMATION REFER TO SHEET 2
 - PACKAGE PER PK-74057-003
 - EITHER MARK PART WITH PART NUMBER & DATE CODE APPROXIMATELY WHERE SHOWN OR PLACE LABEL ON THE TUBE.

ADD LEADFREE PINS EC NO: UCP2006-0059 DRWN: KMULVEY 2005/07/13 CHKD: BINGHAM 2005/07/13 APPR: SREED 2005/07/15	QUALITY SYMBOLS $\nabla=0$ $\nabla=0$	GENERAL TOLERANCES (UNLESS SPECIFIED)		DIMENSION STYLE MM ONLY		SCALE 2.5:1	DESIGN UNITS METRIC	THIRD ANGLE PROJECTION		
			mm	INCH	DRAWN BY MBANDURA	DATE 2002/12/18	TITLE VHDM LITE 6 ROW OPEN END BACKPLANE SALES ASSEMBLY			
		4 PLACES	± ---	± ---	CHECKED BY NMARTIN	DATE 2002/12/18				
		3 PLACES	± ---	± ---	APPROVED BY CBIXLER	DATE 2002/12/18	MOLEX INCORPORATED			
2 PLACES	± ---	± ---	ANGULAR ±1/2°		MATERIAL NO. SEE SHT 2	DOCUMENT NO. SD-75194-001	SHEET NO. 1 OF 2			
1 PLACE	± ---	± ---	DRAFT WHERE APPLICABLE MUST REMAIN WITHIN DIMENSIONS		THIS DRAWING CONTAINS INFORMATION THAT IS PROPRIETARY TO MOLEX INCORPORATED AND SHOULD NOT BE USED WITHOUT WRITTEN PERMISSION					



PART NUMBER	COLUMN	NUMBER OF SIGNAL PIN	NUMBER OF SHIELD	A	B	M	Au (um) THICKNESS	Sn (um) THICKNESS
75194-*001	10	60	0	20.00	18.00	4.75	0.76	0.76-1.52
75194-*501	25	150	0	50.00	48.00		0.76	
75194-*002	10	60	0	20.00	18.00	6.25	0.76	
75194-*502	25	150	0	50.00	48.00		0.76	
75194-*003	10	60	0	20.00	18.00	4.25	0.76	
75194-*503	25	150	0	50.00	48.00		0.76	
75194-*004	10	60	0	20.00	18.00	5.15	0.76	
75194-*504	25	150	0	50.00	48.00		0.76	

MATERIAL NUMBER ASSIGNMENT

75194- ** **
 SEE TABLE
 NUMBER OF COLUMNS/PLATING
 10 = 10 COLUMN TIN/LEAD
 25 = 25 COLUMN TIN/LEAD
 90 = 10 COLUMN MATTE TIN
 85 = 25 COLUMN MATTE TIN

SEE SHEET 1 EC NO: UCP2006-0059 DRWN: KMLVEY 2005/07/13 CHKD: 2005/07/13 APPR: SREED 2005/07/15	QUALITY SYMBOLS	GENERAL TOLERANCES (UNLESS SPECIFIED)	DIMENSION STYLE	SCALE	DESIGN UNITS	THIRD ANGLE PROJECTION																														
	$\nabla=0$ $\nabla=0$	<table border="1"> <tr><th></th><th>MM</th><th>INCH</th></tr> <tr><td>4 PLACES</td><td>± ---</td><td>± ---</td></tr> <tr><td>3 PLACES</td><td>± ---</td><td>± ---</td></tr> <tr><td>2 PLACES</td><td>± ---</td><td>± ---</td></tr> <tr><td>1 PLACE</td><td>± ---</td><td>± ---</td></tr> </table>		MM	INCH	4 PLACES	± ---	± ---	3 PLACES	± ---	± ---	2 PLACES	± ---	± ---	1 PLACE	± ---	± ---	MM ONLY	2.5:1	METRIC																
		MM	INCH																																	
	4 PLACES	± ---	± ---																																	
	3 PLACES	± ---	± ---																																	
2 PLACES	± ---	± ---																																		
1 PLACE	± ---	± ---																																		
<table border="1"> <tr><th>REV</th><th>DESCRIPTION</th></tr> <tr><td> </td><td> </td></tr> </table>	REV	DESCRIPTION			<table border="1"> <tr><th>PLACES</th><th>MM</th><th>INCH</th></tr> <tr><td>4</td><td>± ---</td><td>± ---</td></tr> <tr><td>3</td><td>± ---</td><td>± ---</td></tr> <tr><td>2</td><td>± ---</td><td>± ---</td></tr> <tr><td>1</td><td>± ---</td><td>± ---</td></tr> </table>	PLACES	MM	INCH	4	± ---	± ---	3	± ---	± ---	2	± ---	± ---	1	± ---	± ---	<table border="1"> <tr><th>DRAWN BY</th><th>DATE</th></tr> <tr><td>MBANDURA</td><td>2002/12/18</td></tr> <tr><th>CHECKED BY</th><th>DATE</th></tr> <tr><td>NMARTIN</td><td>2002/12/18</td></tr> <tr><th>APPROVED BY</th><th>DATE</th></tr> <tr><td>CBIXLER</td><td>2002/12/18</td></tr> </table>	DRAWN BY	DATE	MBANDURA	2002/12/18	CHECKED BY	DATE	NMARTIN	2002/12/18	APPROVED BY	DATE	CBIXLER	2002/12/18	TITLE		
REV	DESCRIPTION																																			
PLACES	MM	INCH																																		
4	± ---	± ---																																		
3	± ---	± ---																																		
2	± ---	± ---																																		
1	± ---	± ---																																		
DRAWN BY	DATE																																			
MBANDURA	2002/12/18																																			
CHECKED BY	DATE																																			
NMARTIN	2002/12/18																																			
APPROVED BY	DATE																																			
CBIXLER	2002/12/18																																			
	ANGULAR ±1/2°	DRAFT WHERE APPLICABLE MUST REMAIN WITHIN DIMENSIONS	SEE CHART	MATERIAL NO.	DOCUMENT NO.	SHEET NO.																														
			SIZE B	THIS DRAWING CONTAINS INFORMATION THAT IS PROPRIETARY TO MOLEX INCORPORATED AND SHOULD NOT BE USED WITHOUT WRITTEN PERMISSION																																

VHM LITE 6 ROW
 OPEN END BACKPLANE
 SALES ASSEMBLY

MOLEX INCORPORATED

SD-75194-001

2 OF 2



Стандарт Электрон Связь

Мы молодая и активно развивающаяся компания в области поставок электронных компонентов. Мы поставляем электронные компоненты отечественного и импортного производства напрямую от производителей и с крупнейших складов мира.

Благодаря сотрудничеству с мировыми поставщиками мы осуществляем комплексные и плановые поставки широчайшего спектра электронных компонентов.

Собственная эффективная логистика и склад в обеспечивает надежную поставку продукции в точно указанные сроки по всей России.

Мы осуществляем техническую поддержку нашим клиентам и предпродажную проверку качества продукции. На все поставляемые продукты мы предоставляем гарантию .

Осуществляем поставки продукции под контролем ВП МО РФ на предприятия военно-промышленного комплекса России , а также работаем в рамках 275 ФЗ с открытием отдельных счетов в уполномоченном банке. Система менеджмента качества компании соответствует требованиям ГОСТ ISO 9001.

Минимальные сроки поставки, гибкие цены, неограниченный ассортимент и индивидуальный подход к клиентам являются основой для выстраивания долгосрочного и эффективного сотрудничества с предприятиями радиоэлектронной промышленности, предприятиями ВПК и научно-исследовательскими институтами России.

С нами вы становитесь еще успешнее!

Наши контакты:

Телефон: +7 812 627 14 35

Электронная почта: sales@st-electron.ru

Адрес: 198099, Санкт-Петербург,
Промышленная ул, дом № 19, литера Н,
помещение 100-Н Офис 331