

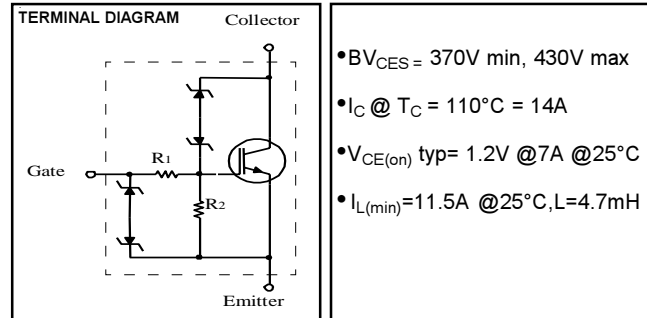
IGBT with on-chip Gate-Emitter and Gate-Collector clamps

Features

- Most Rugged in Industry
- Logic-Level Gate Drive
- > 6KV ESD Gate Protection
- Low Saturation Voltage
- High Self-clamped Inductive Switching Energy
- TO-220 is available in PbF as a Lead-Free

Description

The advanced IGBT process family includes a MOS gated, N-channel logic level device which is intended for coil-on-plug automotive ignition applications and small-engine ignition circuits. Unique features include on-chip active voltage clamps between the Gate-Emitter and Gate-Collector which provide over voltage protection capability in ignition circuits.



- $V_{CES} = 370V \text{ min, } 430V \text{ max}$
- $I_C @ T_C = 110^\circ C = 14A$
- $V_{CE(on)} \text{ typ} = 1.2V @ 7A @ 25^\circ C$
- $I_{L(min)} = 11.5A @ 25^\circ C, L = 4.7mH$



NOTE: IRGS14C40L is available in tape and reel. Add a suffix of TRR or TRL to the part number to determine the orientation of the device in the pocket, i.e, IRGS14C40LTRR or IRGS14C40LTRL.

Absolute Maximum Ratings

	Parameter	Max	Unit	Condition
V_{CES}	Collector-to-Emitter Voltage	Clamped	V	$R_G = 1K \text{ ohm}$
$I_C @ T_C = 25^\circ C$	Continuous Collector Current	20	A	$V_{GE} = 5V$
$I_C @ T_C = 110^\circ C$	Continuous Collector Current	14	A	$V_{GE} = 5V$
I_G	Continuous Gate Current	1	mA	
I_{Gp}	Peak Gate Current	10	mA	$t_{PK} = 1ms, f = 100Hz$
V_{GE}	Gate-to-Emitter Voltage	Clamped	V	
$P_D @ T_C = 25^\circ C$	Maximum Power Dissipation	125	W	
$P_D @ T = 110^\circ C$	Maximum Power Dissipation	54	W	
T_J	Operating Junction and	- 40 to 175	$^\circ C$	
T_{STG}	Storage Temperature Range	- 40 to 175	$^\circ C$	
V_{ESD}	Electrostatic Voltage	6	KV	$C = 100pF, R = 1.5K \text{ ohm}$
I_L	Self-clamped Inductive Switching Current	11.5	A	$L = 4.7mH, T = 25^\circ C$

Thermal Resistance

	Parameter	Min	Typ	Max	Unit
$R_{\theta JC}$	Thermal Resistance, Junction-to-Case			1.2	$^\circ C/W$
$R_{\theta JA}$	Thermal Resistance, Junction-to-Ambient			40	
	(PCB Mounted, Steady State)				
$Z_{\theta JC}$	Transient Thermal Impedance, Junction-to-Case (Fig.11)				

Off-State Electrical Characteristics @ T_J = 25°C (unless otherwise specified)

	Parameter	Min	Typ	Max	Unit	Conditions	Fig
BV _{CES}	Collector-to-Emitter Breakdown Voltage	370	400	430	V	R _G = 1K ohm, I _C = 7A, V _{GE} = 0V	
BV _{GES}	Gate-to-Emitter Breakdown Voltage	10	12		V	I _G = 2m A	
I _{CES}	Collector-to-Emitter Leakage Current			15	μA	R _G = 1K ohm, V _{CE} = 250V	
				100	μA	R _G = 1K ohm, V _{CE} = 250V, T _J = 150°C	
BV _{CER}	Emitter-to-Collector Breakdown Voltage	24	28		V	I _C = -10m A	
R ₁	Gate Series Resistance		75		ohm		
R ₂	Gate-to-Emitter Resistance	10	20	30	K ohm		

On-State Electrical Characteristics @ T_J = 25°C (unless otherwise specified)

	Parameter	Min	Typ	Max	Unit	Conditions	Fig
V _{CE(on)}	Collector-to-Emitter Saturation Voltage		1.2	1.40	V	I _C = 7A, V _{GE} = 4.5V	1
			1.35	1.55		I _C = 10A, V _{GE} = 4.5V	
			1.35	1.55		I _C = 10A, V _{GE} = 4.5V, T _C = -40°C	4
			1.5	1.7		I _C = 14A, V _{GE} = 5.0V, T _C = -40°C	
			1.55	1.75		I _C = 14A, V _{GE} = 5.0V	
			1.6	1.8		I _C = 14A, V _{GE} = 5.0V, T _C = 150°C	
V _{GE(th)}	Gate Threshold Voltage	1.3	1.8	2.2	V	V _{CE} = V _{GE} , I _C = 1 m A, T _C = 25°C	3, 5
		0.75		1.8		V _{CE} = V _{GE} , I _C = 1 m A, T _C = 150°C	
g _{fs}	Transconductance	10	15	19	S	V _{CE} = 25V, I _C = 10A, T _C = 25°C	
I _C	Collector Current	20			A	V _{CE} = 10V, V _{GE} = 4.5V	

Switching Characteristics @ T_J = 25°C (unless otherwise specified)

	Parameter	Min	Typ	Max	Unit	Conditions	Fig
Q _g	Total Gate charge		27		nC	I _C = 10A, V _{CE} = 12V, V _{GE} = 5V	7
Q _{ge}	Gate - Emitter Charge		2.5			I _C = 10A, V _{CE} = 12V, V _{GE} = 5V	15
Q _{gc}	Gate - Collector Charge		10			I _C = 10A, V _{CE} = 12V, V _{GE} = 5V	
t _{d(on)}	Turn - on delay time	0.6	0.9	1.35	μs	V _{GE} = 5V, R _G = 1K ohm, L = 1mH, V _{CE} = 14V	12
t _r	Rise time	1.6	2.8	4		V _{GE} = 5V, R _G = 1K ohm, L = 1mH, V _{CE} = 14V	14
t _{d(off)}	Turn - off delay time	3.7	6	8.3		V _{GE} = 5V, R _G = 1K ohm, L = 1mH, V _{CE} = 300V	
C _{ies}	Input Capacitance		550	825	pF	V _{GE} = 0V, V _{CE} = 25V, f = 1M H z	6
C _{oes}	Output Capacitance		100	150		V _{GE} = 0V, V _{CE} = 25V, f = 1M H z	
C _{res}	Reverse Transfer Capacitance		12	18		V _{GE} = 0V, V _{CE} = 25V, f = 1M H z	
I _L	Self-Clamped Inductive Switching Current	25			A	L = 0.7m H, T _C = 25°C	9
		15.5				L = 2.2m H, T _C = 25°C	
		11.5				L = 4.7m H, T _C = 25°C	10
		16.5				L = 1.5m H, T _C = 150°C	13
		7.5				L = 4.7m H, T _C = 150°C	
		6				L = 8.7m H, T _C = 150°C	
t _{sc}	Short Circuit Withstand Time				μs	T _J = 150°C, V _{CC} = 16V, L = 10μH R _G = 1K ohm, V _{GE} = 5V	14
		120					

Fig.1 - Typ. Output Characteristics
 $T_J=25^\circ\text{C}$

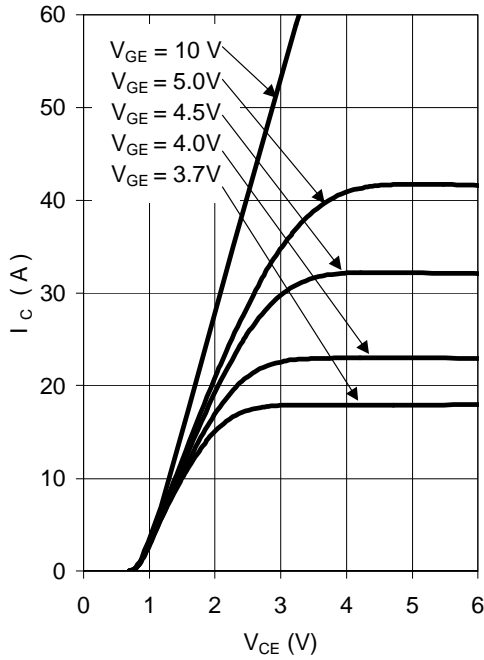


Fig.2 - Typ. Output Characteristics
 $T_J=125^\circ\text{C}$

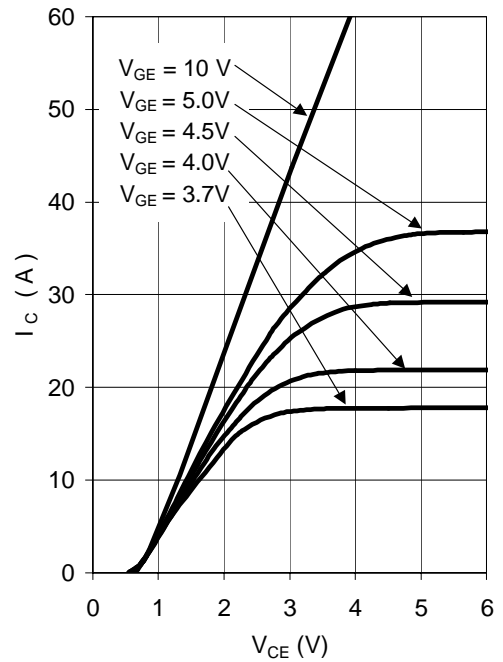


Fig.3 - Transfer Characteristics
 $V_{CE}=20\text{V}; t_p=20\mu\text{s}$

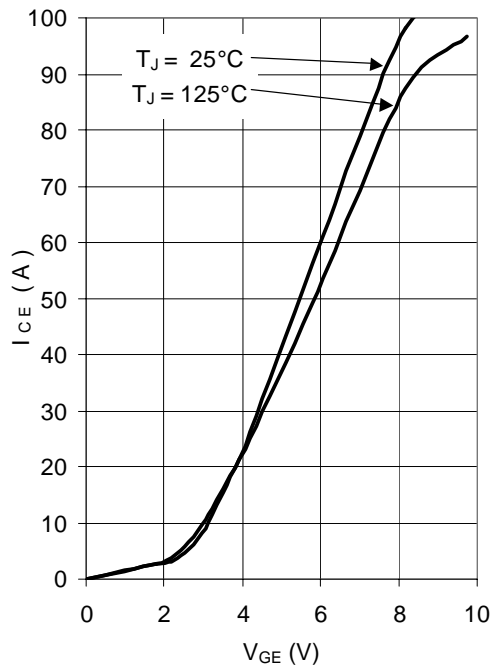
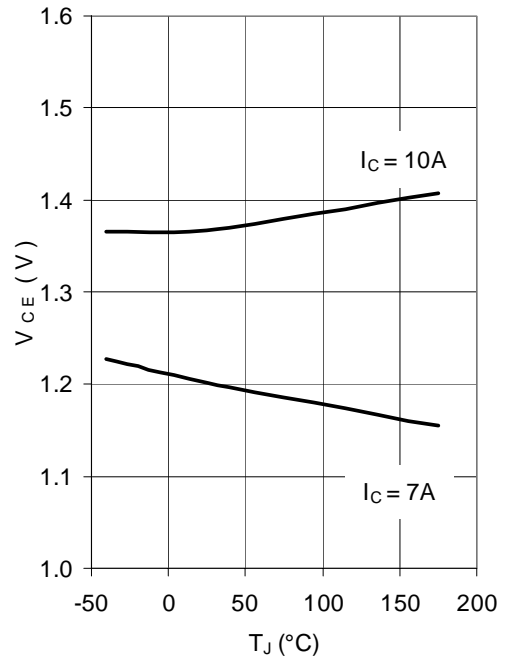


Fig.4 - Typical V_{CE} vs T_J
 $V_{GE}=4.5\text{V}$



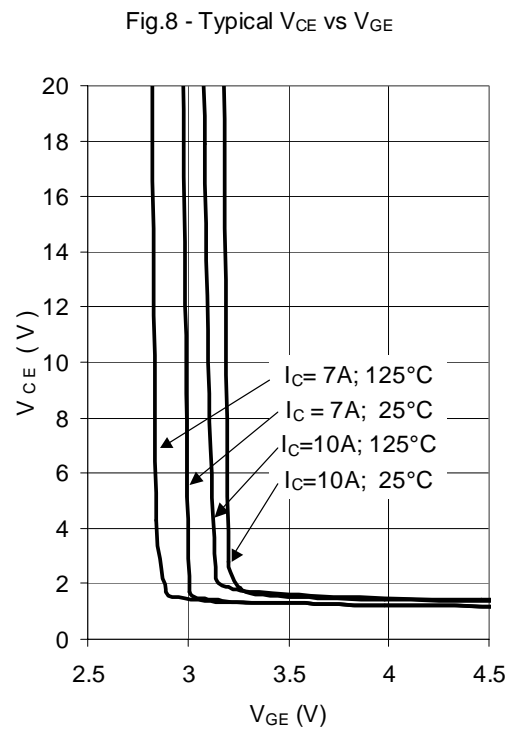
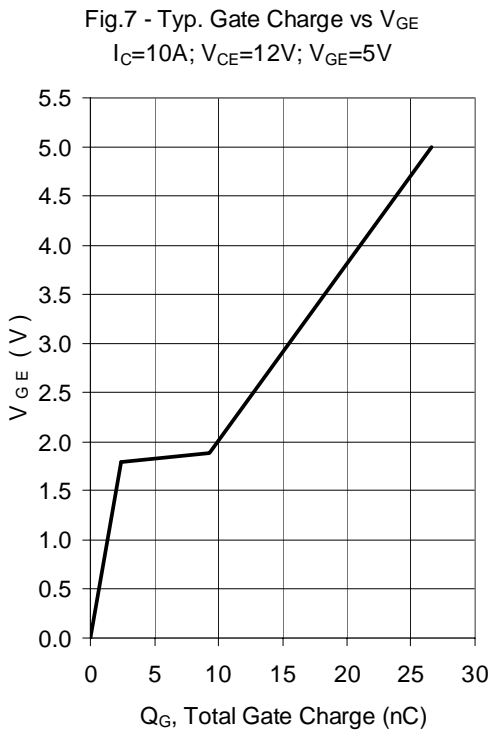
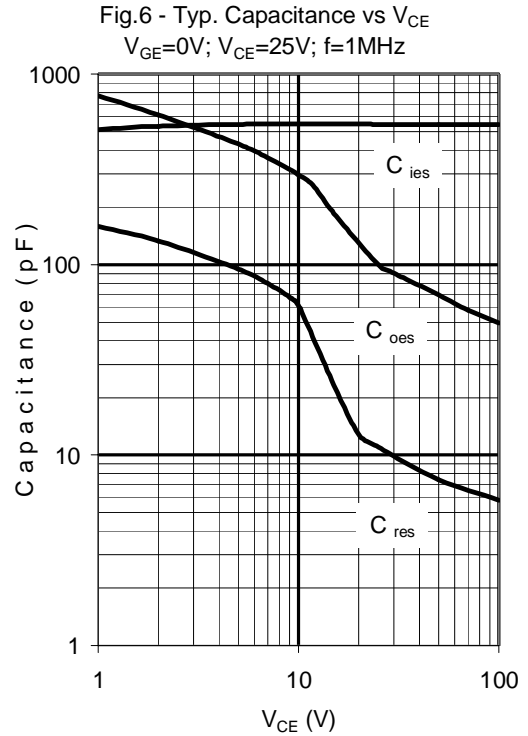
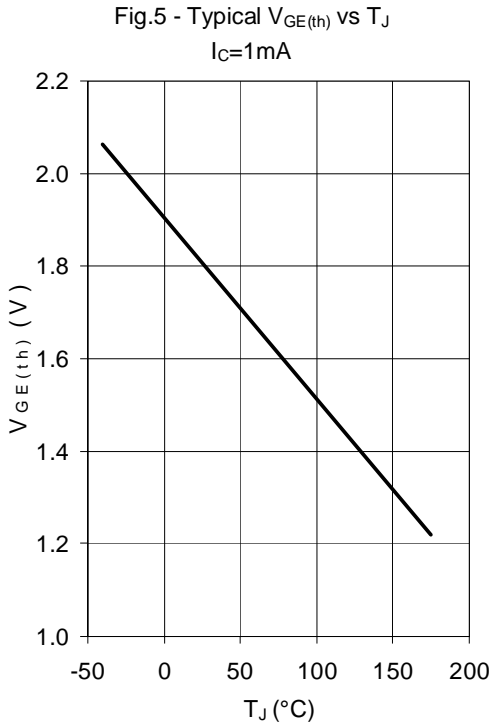


Fig.9 - Self-clamp Avalanche Current vs Inductance @ 25°C

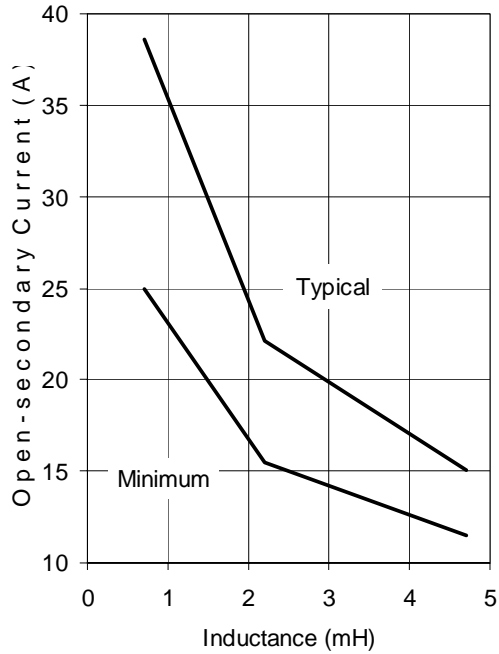


Fig.10 - Self-clamp Avalanche Current vs Inductance @ 150°C

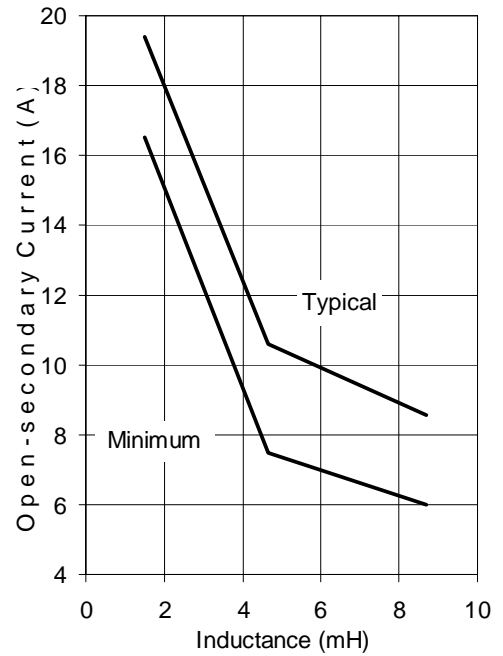


Fig.11 - Transient Thermal Impedance, Junction-to-Case

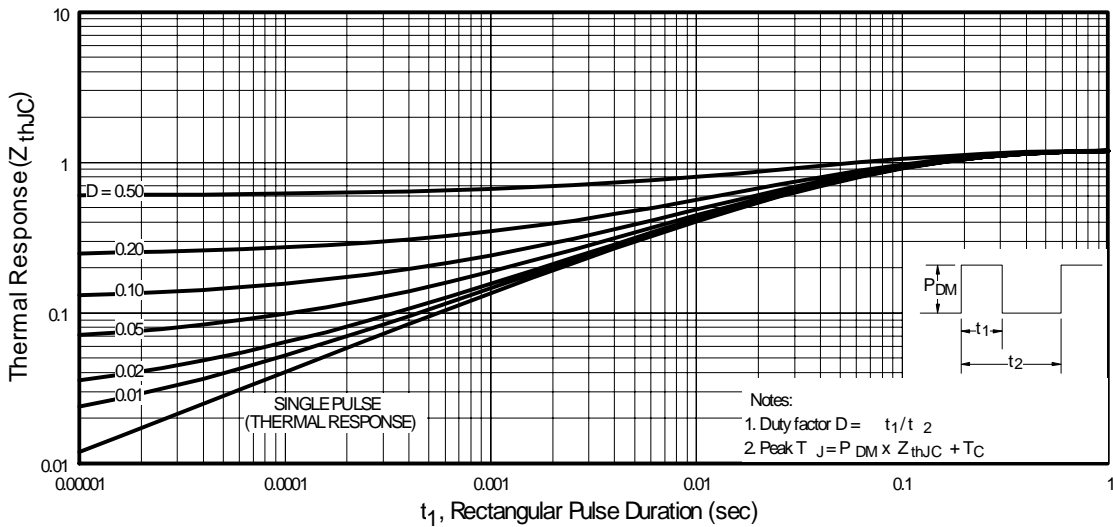


Fig.12 - Switching Waveform for Time Measurement

$V_{GE} = 5V$; $R_G = 1K\Omega$; $L = 1mH$; $V_{CE} = 14V$; used circuit in Fig.14

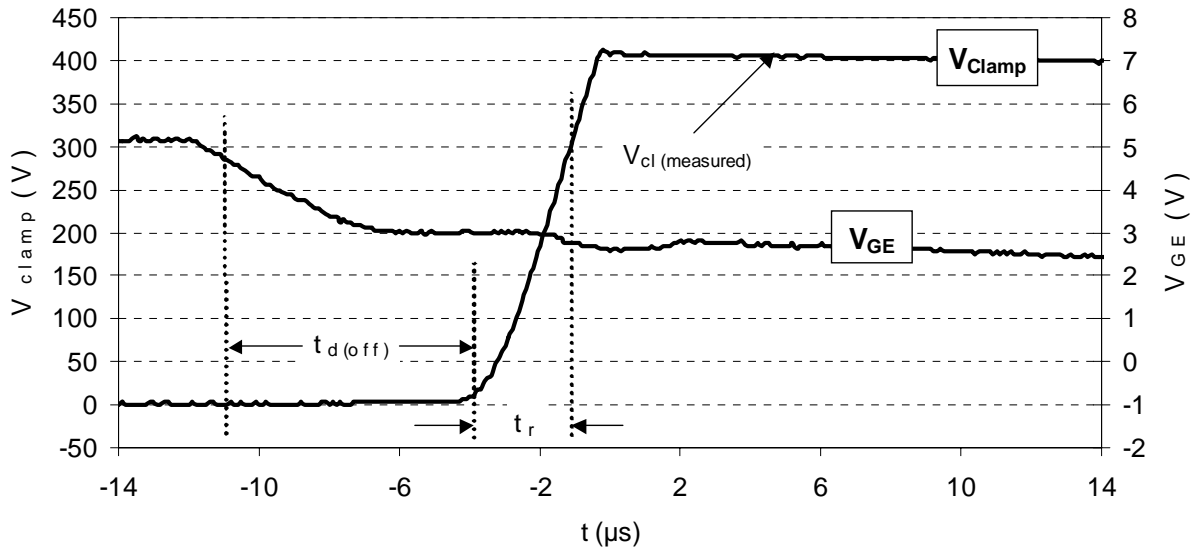


Fig.13 - Self-clamped Inductive Switching Waveform

$L = 4.7mH$; $T_C = 25^\circ C$; used circuit in Fig.14

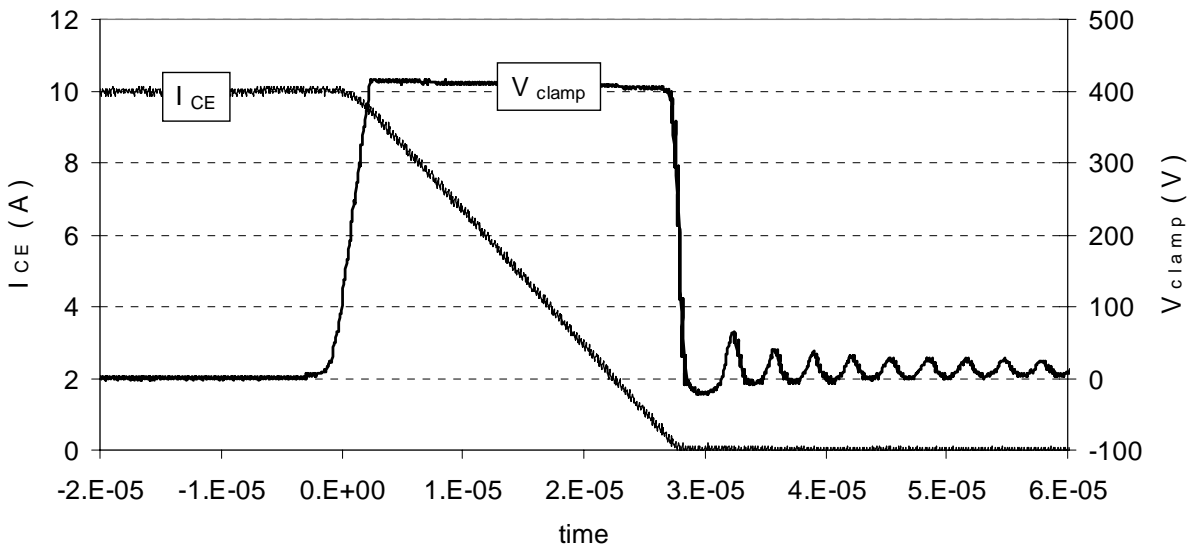


Fig.14 - Test Circuit

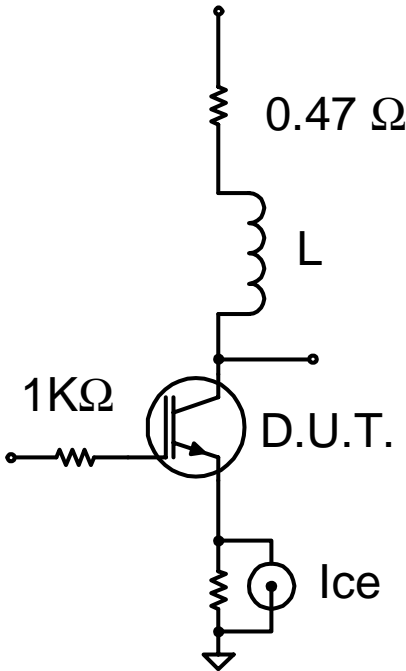
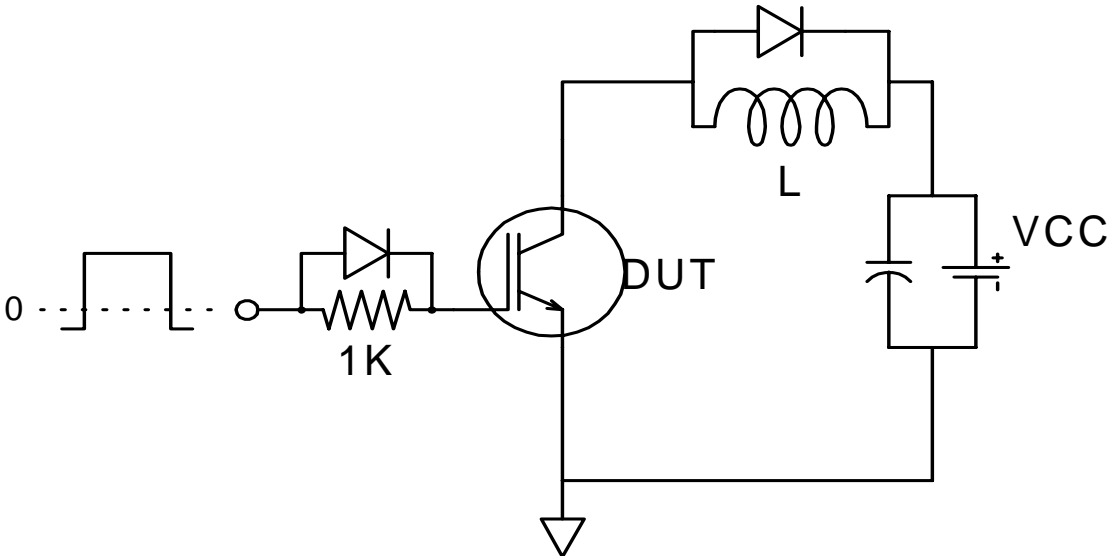
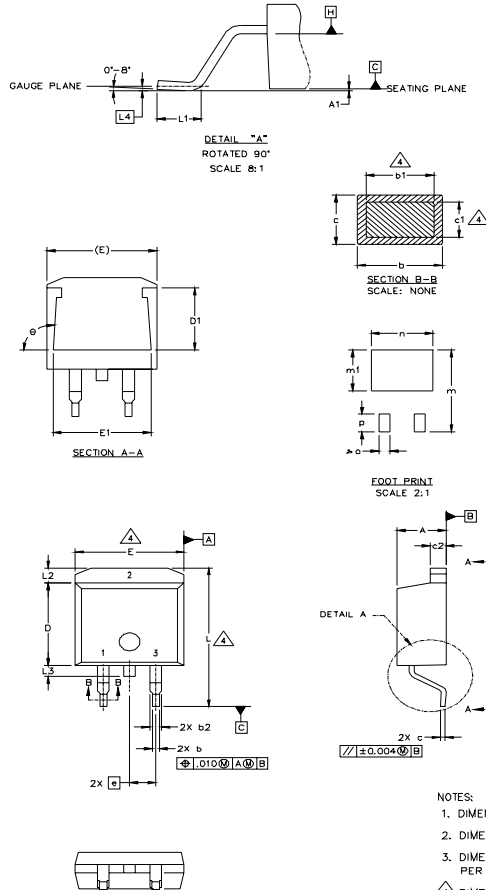


Fig.15 - Gate Charge Circuit



D²Pak Package Outline

Dimensions are shown in millimeters (inches)



SYMBOL	DIMENSIONS				NOTES
	MILLIMETERS		INCHES		
	MIN.	MAX.	MIN.	MAX.	
A	4.06	4.83	.160	.190	4
A1	0.127			.005	
b	0.51	0.99	.020	.039	
b1	0.51	0.89	.020	.035	
b2	1.14	1.40	.045	.055	4
c	0.43	0.63	.017	.025	
c1	0.38	0.74	.015	.029	3
c2	1.14	1.40	.045	.055	
D	8.51	9.65	.335	.380	3
D1	5.33		.210		
E	9.65	10.67	.380	.420	3
E1	6.22		.245		
e	2.54 BSC		.100 BSC		
L	14.61	15.88	.575	.625	
L1	1.78	2.79	.070	.110	
L2		1.65		.065	
L3	1.27	1.78	.050	.070	
L4	0.25 BSC		.010 BSC		
m	17.78		.700		
m1	8.89		.350		
n	11.43		.450		
o	2.08		.082		
p	3.81		.150		
θ	90°	93°	90°	93°	

LEAD ASSIGNMENTS

HEXFET	IGBTs, CoPACK	DIODES
1.- GATE	1.- GATE	1.- ANODE *
2.- DRAIN	2.- COLLECTOR	2.- CATHODE
3.- SOURCE	3.- EMITTER	3.- ANODE

* PART DEPENDENT.

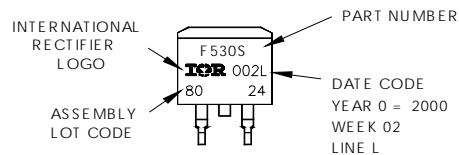
NOTES:

1. DIMENSIONING AND TOLERANCING PER ASME Y14.5M-1994
2. DIMENSIONS ARE SHOWN IN MILLIMETERS [INCHES].
3. DIMENSION D & E DO NOT INCLUDE MOLD FLASH. MOLD FLASH SHALL NOT EXCEED 0.127 [.005"] PER SIDE. THESE DIMENSIONS ARE MEASURED AT THE OUTMOST EXTREMES OF THE PLASTIC BODY.
4. DIMENSION b1 AND c1 APPLY TO BASE METAL ONLY.
5. CONTROLLING DIMENSION: INCH.

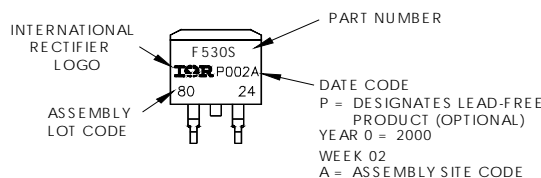
D²Pak Part Marking Information (Lead-Free)

EXAMPLE: THIS IS AN IRF530S WITH
LOT CODE 8024
ASSEMBLED ON WW 02, 2000
IN THE ASSEMBLY LINE "L"

Note: "P" in assembly line
position indicates "Lead-Free"

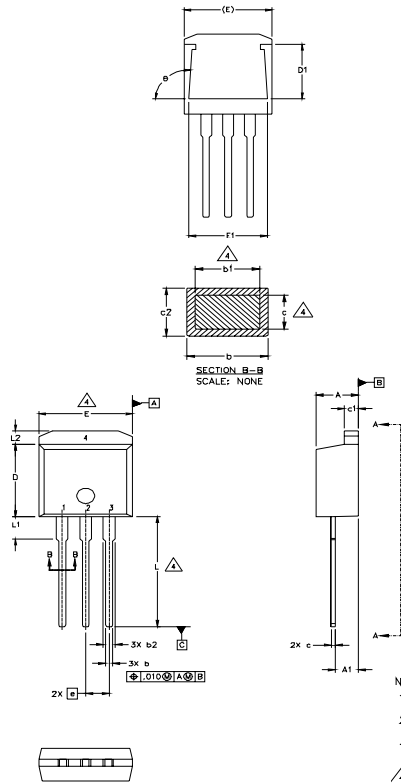


OR



TO-262 Package Outline

Dimensions are shown in millimeters (inches)



SYMBOL	DIMENSIONS				NOTES
	MILLIMETERS		INCHES		
	MIN.	MAX.	MIN.	MAX.	
A	4.06	4.83	.160	.190	
A1	2.03	2.92	.080	.115	
b	0.51	0.99	.020	.039	
b1	0.51	0.89	.020	.035	4
b2	1.14	1.40	.045	.055	
c	0.38	0.63	.015	.025	4
c1	1.14	1.40	.045	.055	
c2	0.43	.063	.017	.029	
D	8.51	9.65	.335	.380	3
D1	5.33		.210		
E	9.65	10.67	.380	.420	3
E1	6.22		.245		
e	2.54	BSC	.100	BSC	
L	13.46	14.09	.530	.555	
L1	3.56	3.71	.140	.146	
L2		1.65		.065	

LEAD ASSIGNMENTS

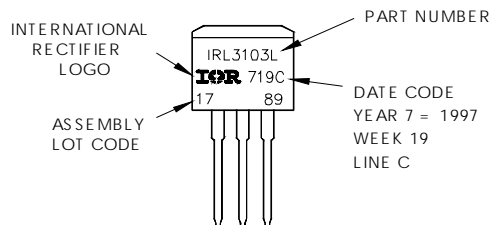
<u>HEXFET</u>	<u>IGBT</u>
1.- GATE	1 - GATE
2.- DRAIN	2 - COLLECTOR
3.- SOURCE	3 - EMITTER
4.- DRAIN	

- NOTES:
1. DIMENSIONING AND TOLERANCING PER ASME Y14.5M-1994
 2. DIMENSIONS ARE SHOWN IN MILLIMETERS [INCHES].
 3. DIMENSION D & E DO NOT INCLUDE MOLD FLASH. MOLD FLASH SHALL NOT EXCEED 0.127 [.005"] PER SIDE. THESE DIMENSIONS ARE MEASURED AT THE OUTMOST EXTREMES OF THE PLASTIC BODY.
 4. DIMENSION b1 AND c1 APPLY TO BASE METAL ONLY.
 5. CONTROLLING DIMENSION: INCH.

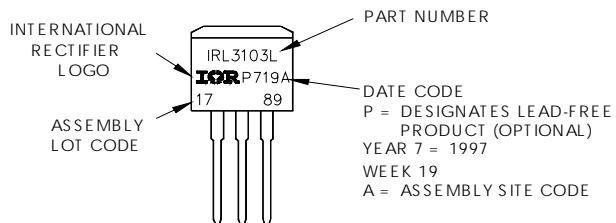
TO-262 Part Marking Information

EXAMPLE: THIS IS AN IRL3103L
LOT CODE 1789
ASSEMBLED ON WW 19, 1997
IN THE ASSEMBLY LINE "C"

Note: "P" in assembly line position indicates "Lead-Free"

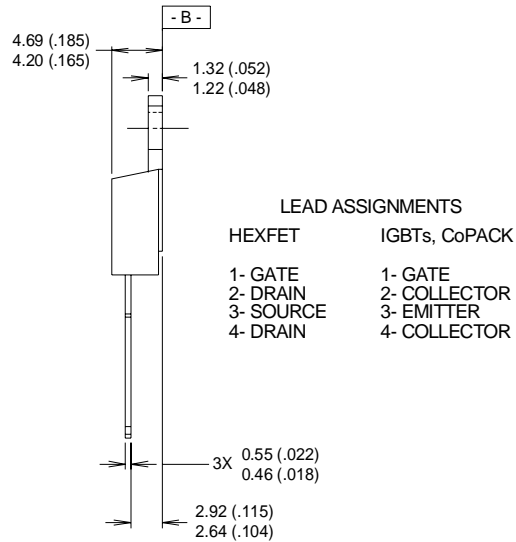
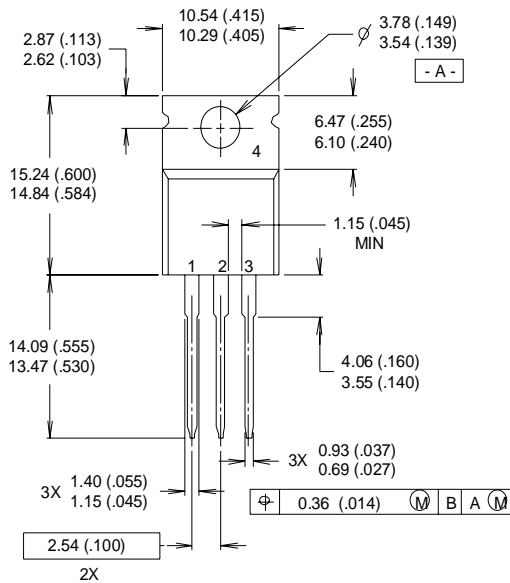


OR



TO-220AB Package Outline

Dimensions are shown in millimeters (inches)



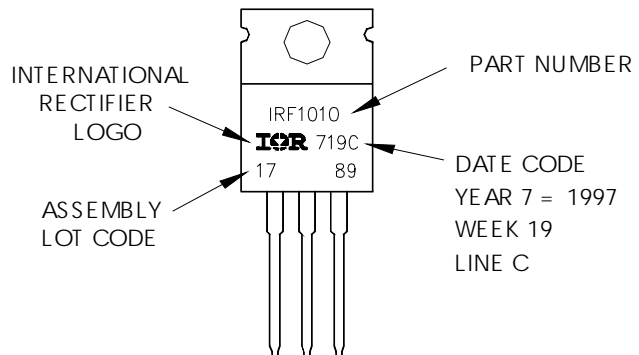
NOTES:

- 1 DIMENSIONING & TOLERANCING PER ANSI Y14.5M, 1982.
- 2 CONTROLLING DIMENSION : INCH

- 3 OUTLINE CONFORMS TO JEDEC OUTLINE TO-220AB.
- 4 HEATSINK & LEAD MEASUREMENTS DO NOT INCLUDE BURRS.

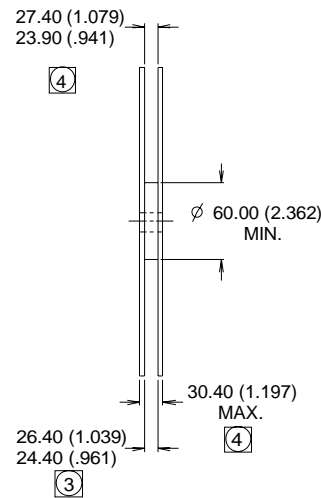
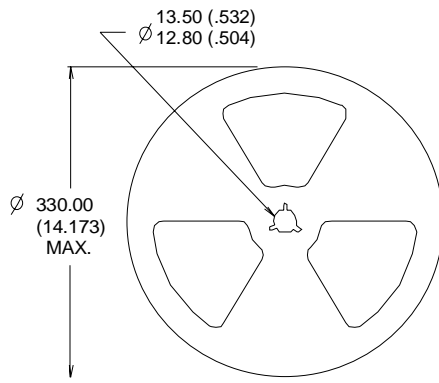
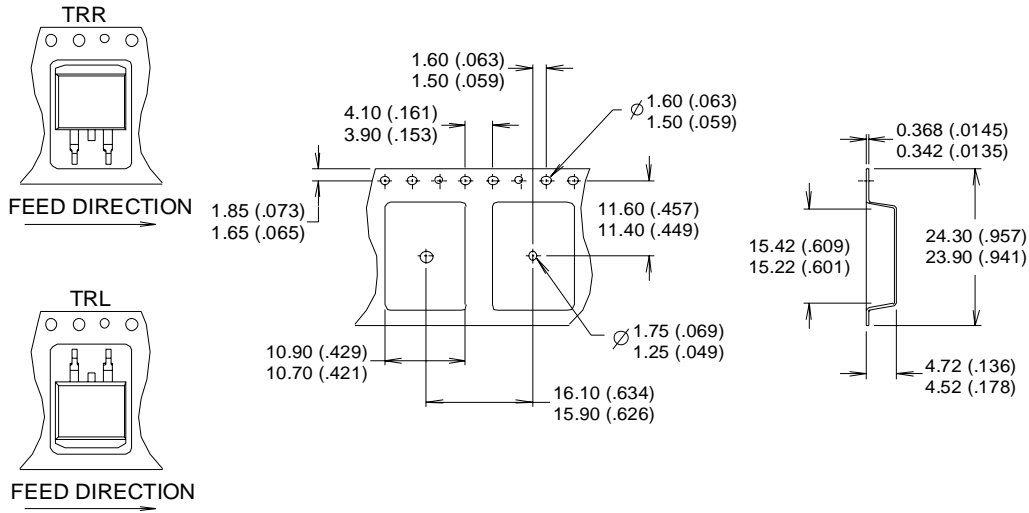
TO-220AB Part Marking Information

EXAMPLE: THIS IS AN IRF1010
 LOT CODE 1789
 ASSEMBLED ON WW 19, 1997
 IN THE ASSEMBLY LINE "C"
Note: "P" in assembly line position indicates "Lead-Free"



D²Pak Tape & Reel Information

Dimensions are shown in millimeters (inches)



- NOTES :
1. COMFORMS TO EIA-418.
 2. CONTROLLING DIMENSION: MILLIMETER.
 - ③ DIMENSION MEASURED @ HUB.
 - ④ INCLUDES FLANGE DISTORTION @ OUTER EDGE.

Data and specifications subject to change without notice.

Note: For the most current drawings please refer to the IR website at:
<http://www.irf.com/package/>



Стандарт Электрон Связь

Мы молодая и активно развивающаяся компания в области поставок электронных компонентов. Мы поставляем электронные компоненты отечественного и импортного производства напрямую от производителей и с крупнейших складов мира.

Благодаря сотрудничеству с мировыми поставщиками мы осуществляем комплексные и плановые поставки широчайшего спектра электронных компонентов.

Собственная эффективная логистика и склад в обеспечивает надежную поставку продукции в точно указанные сроки по всей России.

Мы осуществляем техническую поддержку нашим клиентам и предпродажную проверку качества продукции. На все поставляемые продукты мы предоставляем гарантию .

Осуществляем поставки продукции под контролем ВП МО РФ на предприятия военно-промышленного комплекса России , а также работаем в рамках 275 ФЗ с открытием отдельных счетов в уполномоченном банке. Система менеджмента качества компании соответствует требованиям ГОСТ ISO 9001.

Минимальные сроки поставки, гибкие цены, неограниченный ассортимент и индивидуальный подход к клиентам являются основой для выстраивания долгосрочного и эффективного сотрудничества с предприятиями радиоэлектронной промышленности, предприятиями ВПК и научно-исследовательскими институтами России.

С нами вы становитесь еще успешнее!

Наши контакты:

Телефон: +7 812 627 14 35

Электронная почта: sales@st-electron.ru

Адрес: 198099, Санкт-Петербург,
Промышленная ул, дом № 19, литера Н,
помещение 100-Н Офис 331