



## Main

Range of product	Magelis IPC
Product or component type	Modular box PC
Device short name	Modular BOX PC Universal
Chipset type	Intel QM87
Free slots	1 CFast 1 mSATA 2 Internal SATA HDD/SSD with slide-in HMIYMADSDD1 to mount . hot swap RAID with Intel Rapid Storage Technology
Video controller type	Intel HD Graphics
Software package	EcoStruxure secure connect advisor annual subscription cyber security license not included EcoStruxure operator terminal expert run time HMI license not included EcoStruxure machine SCADA expert run time HMI/SCADA on configured offer only EcoStruxure augmented operator advisor server augmented operator license not included Node-RED and system nodes restore IIoT Wiring Operating System Restore McAfee white listing Installer cyber security license not included

## Complementary

Range compatibility	IDisplay Modular Display HMIDM
Accessory / separate part destination	PC panel on HMIDM modular display
Mounting location	Wall mounting Book mounting Flat mounting
Memory description	Internal 512 kB MRAM Internal 8 GB RAM DDR3 not expandable
Display resolution	3200 x 2000 pixels at 60 Hz
Watchdog timer	1...255 ms
Type of cooling	Fanless Fan required to mount PCI/PCIe cards above 3 W
Electrical connection	Screw connector pin for 1 ground on bottom Connector SMA for 3 on top
Integrated connection type	Display port with 1 on bottom Display port with 1 on front COM1 serial link for battery backup with 1 male SUB-D 9 RS232/422/485 on bottom USB 2.0 port with 2 USB type A, transmission rate: 480 Mbit/s on bottom USB 3.0 port with 2 USB type A, transmission rate: 5 Gbit/s on bottom TPM (Trusted Platform Module version 1.2) for cyber security - hardware encryption with 1 pin header TPM module (optional) on mother board Ethernet with 2 RJ45 I210, supporting IEEE1588, transmission rate: 10/100/1000 Mbps on bottom
[Us] rated supply voltage	24 V DC power supply 100...240 V AC power supply with additional adaptor HMIYMMAC1
Supply voltage limits	18...36 V
Inrush current	8.9 A
Power consumption in W	35 W box 39 W with 4:3 12" Display HMIDM6421 37 W with Wide 12" Display HMIDM6521 40 W with 4:3 15" Display HMIDM7421 41 W with Wide 15" Display HMIDM7521 43 W with Wide 19" Display HMIDM9521 45 W with Wide 22" Display HMIDMA521
Control type	ON/OFF button

The information provided in this documentation contains general descriptions and/or technical characteristics of the products contained herein. This documentation is not intended as a substitute for and is not to be used for determining suitability or reliability of these products for specific user applications. It is the duty of any such user or integrator to perform the appropriate and complete risk analysis, evaluation and testing of the products with respect to the relevant specific application or use thereof. Neither Schneider Electric Industries SAS nor any of its affiliates or subsidiaries shall be responsible or liable for misuse of the information contained herein.

Depth	4.06 in (103.2 mm)
Height	8.15 in (207 mm)
Width	10 in (254 mm)
Product weight	8.6 lb(US) (3.9 kg)
Impregnation material	Conformal coated
Main type	Universal
Number of slots available for expansion	1 PCI 1 PCI 1 PCI express 4x 2 mini PCIe

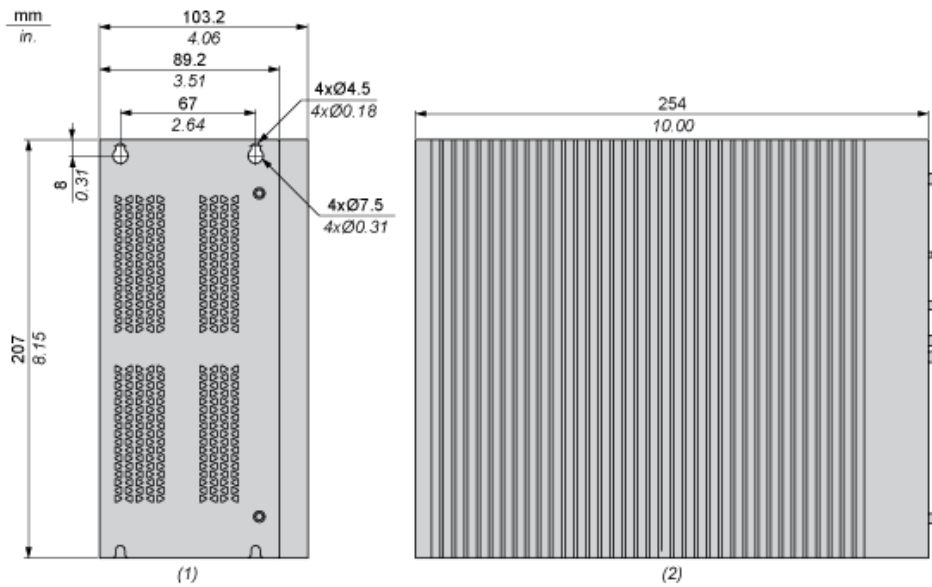
## Environment

standards	EN 61131-2 EN 55011 class A group 1 EN 61000-6-4 FCC Part 15 UL 61010
product certifications	CULus CE CULus CSA 22-2 No 142 CULus HazLoc Class I Division 2 ANSI/ISA 12-12-01 CULus HazLoc Class I Division 2 CSA 22-2 No 213 CCC EAC ATEX RCM IEC Ex hazardous locations 3GD zone 2/22
quality labels	CE
directives	2004/108/EC - electromagnetic compatibility 2006/95/EC - low voltage directive
IP degree of protection	IP40 conforming to IEC 60529
electromagnetic compatibility	Conducted and radiated emissions class A EN 55022 Immunity to high frequency interference IEC 61000-4 Disturbing field emission class A EN 55011
ambient air temperature for storage	-22...158 °F (-30...70 °C) conforming to IEC 60068-2-2 -22...158 °F (-30...70 °C) conforming to IEC 60068-2-14
relative humidity	10...95 % non-condensing conforming to EN/IEC 60068-2-30
ambient air temperature for operation	0...55 °C (by default) conforming to EN/IEC 60068-2-2 0...50 °C flat mounting 0...45 °C on PCI/PCIe HMIDM modular display with HDD 0...40 °C flat mounting on HDD 0...40 °C flat mounting on mini PCIe 0...40 °C flat mounting on PCI/PCIe 0...45 °C conforming to 2 on mini PCIe HMIDM modular display
operating altitude	6561.68 ft (2000 m) conforming to IEC 60664-1
vibration resistance	1 gn 5...500 Hz HDD 2 gn 5...500 Hz SSD or CFAST

## Offer Sustainability

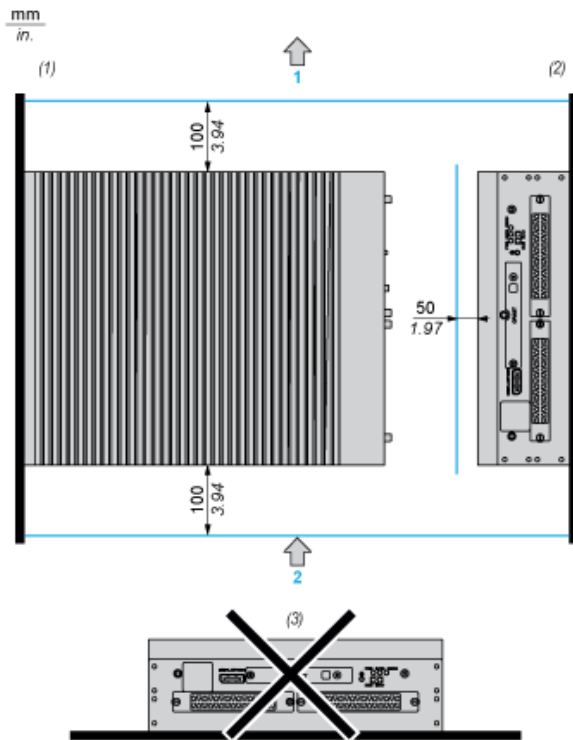
Not Green Premium product	Not Green Premium product
Compliant - since 1604 - Schneider Electric declaration of conformity	Compliant - since 1604 - Schneider Electric declaration of conformity
WARNING: Cancer and Reproductive Harm - <a href="http://www.P65Warnings.ca.gov">www.P65Warnings.ca.gov</a>	WARNING: Cancer and Reproductive Harm - <a href="http://www.P65Warnings.ca.gov">www.P65Warnings.ca.gov</a>

## Dimensions



- (1) Rear view
- (2) Left view

### Spacing Requirements



- 1 : Air out
- 2 : Air in
- (1) Book mounting : Vertical mounting with rear fixing
- (2) Wall mounting : Vertical mounting with side fixing
- (3) Horizontal mounting



## Стандарт Электрон Связь

Мы молодая и активно развивающаяся компания в области поставок электронных компонентов. Мы поставляем электронные компоненты отечественного и импортного производства напрямую от производителей и с крупнейших складов мира.

Благодаря сотрудничеству с мировыми поставщиками мы осуществляем комплексные и плановые поставки широчайшего спектра электронных компонентов.

Собственная эффективная логистика и склад в обеспечивает надежную поставку продукции в точно указанные сроки по всей России.

Мы осуществляем техническую поддержку нашим клиентам и предпродажную проверку качества продукции. На все поставляемые продукты мы предоставляем гарантию .

Осуществляем поставки продукции под контролем ВП МО РФ на предприятия военно-промышленного комплекса России , а также работаем в рамках 275 ФЗ с открытием отдельных счетов в уполномоченном банке. Система менеджмента качества компании соответствует требованиям ГОСТ ISO 9001.

Минимальные сроки поставки, гибкие цены, неограниченный ассортимент и индивидуальный подход к клиентам являются основой для выстраивания долгосрочного и эффективного сотрудничества с предприятиями радиоэлектронной промышленности, предприятиями ВПК и научно-исследовательскими институтами России.

С нами вы становитесь еще успешнее!

### Наши контакты:

**Телефон:** +7 812 627 14 35

**Электронная почта:** [sales@st-electron.ru](mailto:sales@st-electron.ru)

**Адрес:** 198099, Санкт-Петербург,  
Промышленная ул, дом № 19, литера Н,  
помещение 100-Н Офис 331