

SN54ALS576B, SN54AS576 SN74ALS576B, SN74ALS577A, SN74AS576 OCTAL D-TYPE EDGE-TRIGGERED FLIP-FLOPS WITH 3-STATE OUTPUTS

SDAS065B – DECEMBER 1982 – REVISED JANUARY 1995

- 3-State Buffer-Type Inverting Outputs Drive Bus Lines Directly
- Bus-Structured Pinout
- Buffered Control Inputs
- SN74ALS577A Has Synchronous Clear
- Package Options Include Plastic Small-Outline (DW) Packages, Ceramic Chip Carriers (FK), Standard Plastic (N, NT) and Ceramic (J) 300-mil DIPs, and Ceramic Flat (W) Packages

description

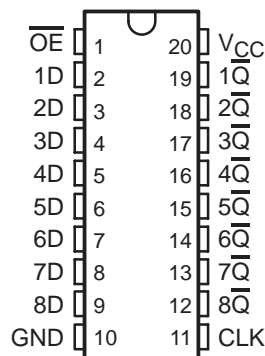
These octal D-type edge-triggered flip-flops feature 3-state outputs designed specifically for bus driving. They are particularly suitable for implementing buffer registers, I/O ports, bidirectional bus drivers, and working registers.

These flip-flops enter data on the low-to-high transition of the clock (CLK) input.

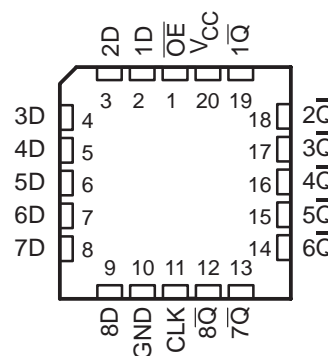
The output-enable (\overline{OE}) input does not affect internal operations of the flip-flops. Old data can be retained or new data can be entered while the outputs are disabled.

The SN54ALS576B and SN54AS576 are characterized for operation over the full military temperature range of -55°C to 125°C . The SN74ALS576B, SN74ALS577A, and SN74AS576 are characterized for operation from 0°C to 70°C .

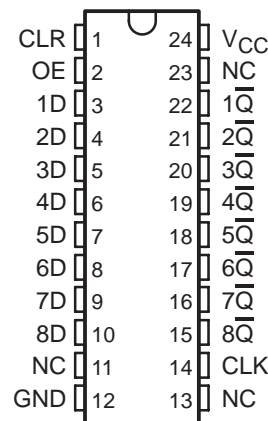
SN54ALS576B, SN54AS576 . . . J OR W PACKAGE
SN74ALS576B, SN74AS576 . . . DW OR N PACKAGE
(TOP VIEW)



SN54ALS576B, SN54AS576 . . . FK PACKAGE
(TOP VIEW)



SN74ALS577A . . . DW OR NT PACKAGE
(TOP VIEW)



NC – No internal connection

SN54ALS576B, SN54AS576
SN74ALS576B, SN74ALS577A, SN74AS576
OCTAL D-TYPE EDGE-TRIGGERED FLIP-FLOPS WITH 3-STATE OUTPUTS

SDAS065B – DECEMBER 1982 – REVISED JANUARY 1995

Function Tables

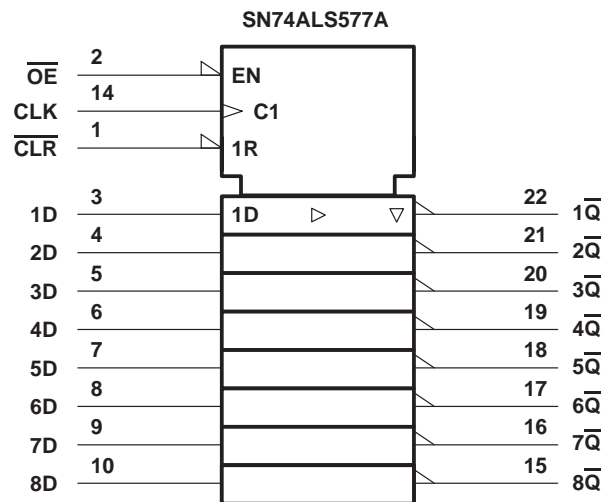
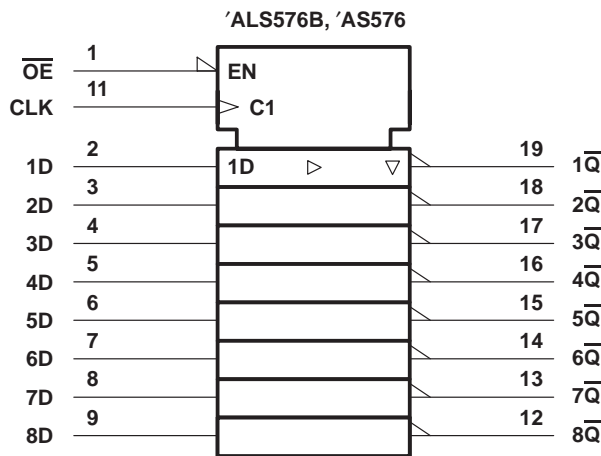
'ALS576B, 'AS576
(each flip-flop)

| INPUTS | | | OUTPUT |
|-----------------|-----|---|------------------|
| \overline{OE} | CLK | D | \overline{Q} |
| L | ↑ | H | L |
| L | ↑ | L | H |
| L | L | X | \overline{Q}_0 |
| H | X | X | Z |

SN74ALS577A
(each flip-flop)

| INPUTS | | | | OUTPUT |
|-----------------|------------------|-----|---|------------------|
| \overline{OE} | \overline{CLR} | CLK | D | \overline{Q} |
| L | L | ↑ | X | H |
| L | H | ↑ | H | L |
| L | H | ↑ | L | H |
| L | H | L | X | \overline{Q}_0 |
| H | X | X | X | Z |

logic symbols†



† These symbols are in accordance with ANSI/IEEE Std 91-1984 and IEC Publication 617-12.

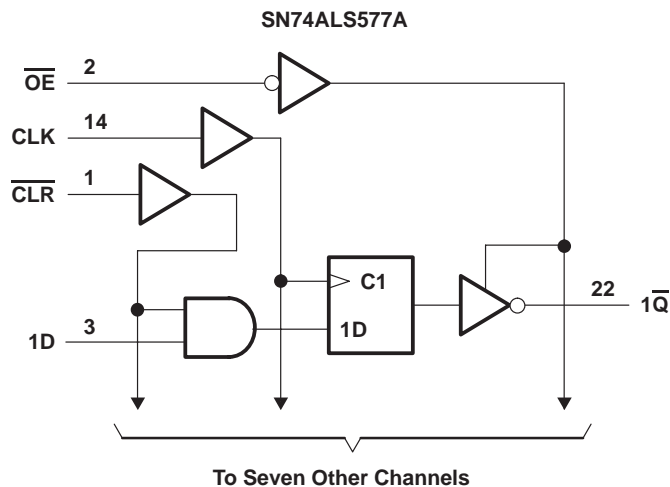
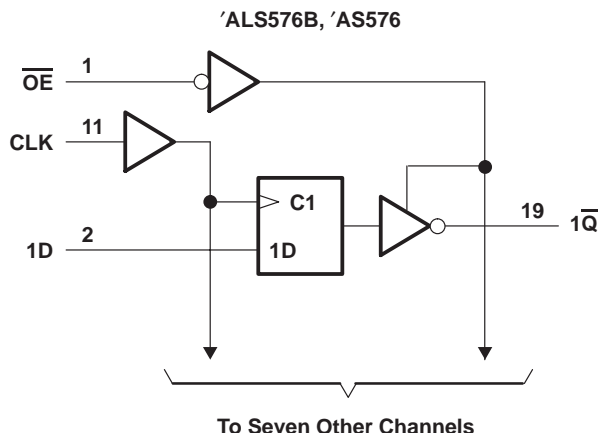
Pin numbers shown for the 'ALS576B and 'AS576 are for the DW, J, N, and W packages.

Pin numbers shown for the SN74ALS577A are for the DW and NT packages.

SN54ALS576B, SN54AS576
SN74ALS576B, SN74ALS577A, SN74AS576
OCTAL D-TYPE EDGE-TRIGGERED FLIP-FLOPS WITH 3-STATE OUTPUTS

SDAS065B – DECEMBER 1982 – REVISED JANUARY 1995

logic diagrams (positive logic)



Pin numbers shown are for the DW, J, N, and W packages.

Pin numbers shown are for the DW and NT packages.

absolute maximum ratings over operating free-air temperature range (unless otherwise noted)†

| | |
|---|----------------|
| Supply voltage, V_{CC} | 7 V |
| Input voltage, V_I | 7 V |
| Voltage applied to a disabled 3-state output | 5.5 V |
| Operating free-air temperature range, T_A : SN54ALS576B | -55°C to 125°C |
| SN74ALS576B, SN74ALS577A | 0°C to 70°C |
| Storage temperature range | -65°C to 150°C |

† Stresses beyond those listed under "absolute maximum ratings" may cause permanent damage to the device. These are stress ratings only, and functional operation of the device at these or any other conditions beyond those indicated under "recommended operating conditions" is not implied. Exposure to absolute-maximum-rated conditions for extended periods may affect device reliability.

recommended operating conditions

| | | SN54ALS576B | | | SN74ALS576B SN74ALS577A | | | UNIT |
|-------------|--------------------------------|------------------------------|-----|-----|----------------------------|------|------|------|
| | | MIN | NOM | MAX | MIN | NOM | MAX | |
| V_{CC} | Supply voltage | 4.5 | 5 | 5.5 | 4.5 | 5 | 5.5 | V |
| V_{IH} | High-level input voltage | 2 | | | 2 | | | V |
| V_{IL} | Low-level input voltage | | | 0.7 | | | 0.8 | V |
| I_{OH} | High-level output current | | | -1 | | | -2.6 | mA |
| I_{OL} | Low-level output current | | | 12 | | | 24 | mA |
| f_{clock} | Clock frequency | 'ALS576B | | 0 | 22 | 0 | 30 | MHz |
| | | SN74ALS577A | | | | 0 | 30 | |
| t_w | Pulse duration | 'ALS576B, CLK high or low | | 25 | | 16.5 | | ns |
| | | SN74ALS577A, CLK high or low | | | | 16.5 | | |
| t_{su} | Setup time before CLK↑ | Data | | 15 | | 15 | | ns |
| | | SN74ALS577A \overline{CLR} | | | | 15 | | |
| t_h | Hold time after CLK↑ | Data | | 4 | | 0 | | ns |
| | | SN74ALS577A \overline{CLR} | | | | 0 | | |
| T_A | Operating free-air temperature | | -55 | 125 | | 0 | 70 | °C |



SN54ALS576B, SN54AS576
SN74ALS576B, SN74ALS577A, SN74AS576
OCTAL D-TYPE EDGE-TRIGGERED FLIP-FLOPS WITH 3-STATE OUTPUTS

SDAS065B – DECEMBER 1982 – REVISED JANUARY 1995

electrical characteristics over recommended operating free-air temperature range (unless otherwise noted)

| PARAMETER | TEST CONDITIONS | | SN54ALS576B | | | SN74ALS576B SN74ALS577A | | | UNIT |
|-----------------|---|---------------------------|--------------|------|------|----------------------------|------|------|---------------|
| | | | MIN | TYP† | MAX | MIN | TYP† | MAX | |
| V_{IK} | $V_{CC} = 4.5\text{ V}$, | $I_I = -18\text{ mA}$ | -1.2 | | | -1.2 | | | V |
| V_{OH} | $V_{CC} = 4.5\text{ V to }5.5\text{ V}$, | $I_{OH} = -0.4\text{ mA}$ | $V_{CC} - 2$ | | | $V_{CC} - 2$ | | | V |
| | $V_{CC} = 4.5\text{ V}$ | $I_{OH} = -1\text{ mA}$ | 2.4 | 3.3 | | | | | |
| V_{OL} | $V_{CC} = 4.5\text{ V}$ | $I_{OL} = -2.6\text{ mA}$ | | | | 2.4 | 3.2 | | V |
| | | $I_{OL} = 12\text{ mA}$ | 0.25 | 0.4 | | 0.25 | 0.4 | | |
| | | $I_{OL} = 24\text{ mA}$ | | | | | | 0.35 | 0.5 |
| I_{OZH} | $V_{CC} = 5.5\text{ V}$, | $V_O = 2.7\text{ V}$ | 20 | | | 20 | | | μA |
| I_{OZL} | $V_{CC} = 5.5\text{ V}$, | $V_O = 0.4\text{ V}$ | -20 | | | -20 | | | μA |
| I_I | $V_{CC} = 5.5\text{ V}$, | $V_I = 7\text{ V}$ | 0.1 | | | 0.1 | | | mA |
| I_{IH} | $V_{CC} = 5.5\text{ V}$, | $V_I = 2.7\text{ V}$ | 20 | | | 20 | | | μA |
| I_{IL} | $V_{CC} = 5.5\text{ V}$, | $V_I = 0.4\text{ V}$ | -0.2 | | | -0.2 | | | mA |
| $I_{O\ddagger}$ | $V_{CC} = 5.5\text{ V}$, | $V_O = 2.25\text{ V}$ | -20 | | -112 | -30 | | -112 | mA |
| I_{CC} | $V_{CC} = 5.5\text{ V}$ | Outputs high | | 10 | 18 | | 10 | 18 | mA |
| | | Outputs low | | 15 | 24 | | 15 | 24 | |
| | | Outputs disabled | | 16 | 30 | | 16 | 30 | |

† All typical values are at $V_{CC} = 5\text{ V}$, $T_A = 25^\circ\text{C}$.

‡ The output conditions have been chosen to produce a current that closely approximates one half of the true short-circuit output current, I_{OS} .

switching characteristics (see Figure 1)

| PARAMETER | FROM (INPUT) | TO (OUTPUT) | $V_{CC} = 4.5\text{ V to }5.5\text{ V}$, $C_L = 50\text{ pF}$, $R_1 = 500\ \Omega$, $R_2 = 500\ \Omega$, $T_A = \text{MIN to MAX}\S$ | | | | | | UNIT |
|------------------|------------------------|----------------|--|-----|-------------|-----|-------------|-----|------|
| | | | SN54ALS576B | | SN74ALS576B | | SN74ALS577A | | |
| | | | MIN | MAX | MIN | MAX | MIN | MAX | |
| f_{max} | | | 22 | | 30 | | 30 | | MHz |
| t_{PLH} | CLK | Any \bar{Q} | 4 | 24 | 3 | 14 | 4 | 14 | ns |
| t_{PHL} | | | 4 | 20 | 4 | 14 | 4 | 14 | |
| t_{PZH} | $\overline{\text{OE}}$ | Any \bar{Q} | 4 | 24 | 3 | 18 | 4 | 18 | ns |
| t_{PZL} | | | 3 | 23 | 4 | 18 | 4 | 18 | |
| t_{PHZ} | $\overline{\text{OE}}$ | Any \bar{Q} | 2 | 14 | 1 | 10 | 2 | 10 | ns |
| t_{PLZ} | | | 3 | 29 | 2 | 15 | 3 | 15 | |

§ For conditions shown as MIN or MAX, use the appropriate value specified under recommended operating conditions.



SN54ALS576B, SN54AS576
SN74ALS576B, SN74ALS577A, SN74AS576
OCTAL D-TYPE EDGE-TRIGGERED FLIP-FLOPS WITH 3-STATE OUTPUTS

SDAS065B – DECEMBER 1982 – REVISED JANUARY 1995

absolute maximum ratings over operating free-air temperature range (unless otherwise noted)†

| | |
|---|----------------|
| Supply voltage, V_{CC} | 7 V |
| Input voltage, V_I | 7 V |
| Voltage applied to a disabled 3-state output | 5.5 V |
| Operating free-air temperature range, T_A : SN54AS576 | –55°C to 125°C |
| SN74AS576 | 0°C to 70°C |
| Storage temperature range | –65°C to 150°C |

† Stresses beyond those listed under “absolute maximum ratings” may cause permanent damage to the device. These are stress ratings only, and functional operation of the device at these or any other conditions beyond those indicated under “recommended operating conditions” is not implied. Exposure to absolute-maximum-rated conditions for extended periods may affect device reliability.

recommended operating conditions

| | | SN54AS576 | | | SN74AS576 | | | UNIT |
|---------------|--------------------------------|-----------|-----|-----|-----------|-----|-----|------|
| | | MIN | NOM | MAX | MIN | NOM | MAX | |
| V_{CC} | Supply voltage | 4.5 | 5 | 5.5 | 4.5 | 5 | 5.5 | V |
| V_{IH} | High-level input voltage | 2 | | | 2 | | | V |
| V_{IL} | Low-level input voltage | | | 0.8 | | | 0.8 | V |
| I_{OH} | High-level output current | | | –12 | | | –15 | mA |
| I_{OL} | Low-level output current | | | 32 | | | 48 | mA |
| f_{clock}^* | Clock frequency | 0 | | 100 | 0 | | 125 | MHz |
| t_w^* | Pulse duration | CLK high | | 5 | 4 | | ns | |
| | | CLK low | | 4 | 2 | | | |
| t_{su}^* | Setup time, data before CLK↑ | 3 | | | 2 | | | ns |
| t_h^* | Hold time, data after CLK↑ | 3 | | | 2 | | | ns |
| T_A | Operating free-air temperature | –55 | | 125 | 0 | | 70 | °C |

* On products compliant to MIL-STD-883, Class B, this parameter is based on characterization data but is not production tested.



SN54ALS576B, SN54AS576
SN74ALS576B, SN74ALS577A, SN74AS576
OCTAL D-TYPE EDGE-TRIGGERED FLIP-FLOPS WITH 3-STATE OUTPUTS

SDAS065B – DECEMBER 1982 – REVISED JANUARY 1995

electrical characteristics over recommended operating free-air temperature range (unless otherwise noted)

| PARAMETER | TEST CONDITIONS | | SN54AS576 | | SN74AS576 | | UNIT |
|-----------------|---|--|--------------|------|--------------|------|---------------|
| | | | MIN | TYP† | MAX | MIN | |
| V_{IK} | $V_{CC} = 4.5\text{ V}$, $I_I = -18\text{ mA}$ | | -1.2 | | -1.2 | | V |
| V_{OH} | $V_{CC} = 4.5\text{ V to }5.5\text{ V}$, $I_{OH} = -2\text{ mA}$ | | $V_{CC} - 2$ | | $V_{CC} - 2$ | | V |
| | $V_{CC} = 4.5\text{ V}$ | $I_{OH} = -12\text{ mA}$ | 2.4 | 3.2 | 2.4 | 3.3 | |
| V_{OL} | $V_{CC} = 4.5\text{ V}$ | | 0.29 0.5 | | 0.33 0.5 | | V |
| | | | | | | | |
| I_{OZH} | $V_{CC} = 5.5\text{ V}$, | $V_O = 2.7\text{ V}$ | 50 | | 50 | | μA |
| I_{OZL} | $V_{CC} = 5.5\text{ V}$, | $V_O = 0.4\text{ V}$ | -50 | | -50 | | μA |
| I_I | $V_{CC} = 5.5\text{ V}$, | $V_I = 7\text{ V}$ | 0.1 | | 0.1 | | mA |
| I_{IH} | $V_{CC} = 5.5\text{ V}$, | $V_I = 2.7\text{ V}$ | 20 | | 20 | | μA |
| I_{IL} | D | $V_{CC} = 5.5\text{ V}$, $V_I = 0.4\text{ V}$ | -3 | | -2 | | mA |
| | All others | | -0.5 | | -0.5 | | |
| $I_{O\ddagger}$ | $V_{CC} = 5.5\text{ V}$, | $V_O = 2.25\text{ V}$ | -30 | -112 | -30 | -112 | mA |
| I_{CC} | $V_{CC} = 5.5\text{ V}$ | | 77 125 | | 77 125 | | mA |
| | Outputs high | | | | | | |
| | Outputs low | | 84 135 | | 84 135 | | |
| | | Outputs disabled | 84 135 | | 84 135 | | |

† All typical values are at $V_{CC} = 5\text{ V}$, $T_A = 25^\circ\text{C}$.

‡ The output conditions have been chosen to produce a current that closely approximates one half of the true short-circuit output current, I_{OS} .

switching characteristics (see Figure 1)

| PARAMETER | FROM (INPUT) | TO (OUTPUT) | $V_{CC} = 4.5\text{ V to }5.5\text{ V}$, $C_L = 50\text{ pF}$, $R_1 = 500\ \Omega$, $R_2 = 500\ \Omega$, $T_A = \text{MIN to MAX}\S$ | | | | UNIT |
|--------------------|-----------------|---------------|--|-----|-----------|-----|------|
| | | | SN54AS576 | | SN74AS576 | | |
| | | | MIN | MAX | MIN | MAX | |
| f_{max}^* | | | 100 | | 125 | MHz | |
| t_{PLH} | CLK | Any \bar{Q} | 3 | 11 | 3 | 8 | ns |
| t_{PHL} | | | 4 | 11 | 4 | 9 | |
| t_{PZH} | \overline{OE} | Any \bar{Q} | 2 | 7 | 2 | 6 | ns |
| t_{PZL} | | | 3 | 11 | 3 | 10 | |
| t_{PHZ} | \overline{OE} | Any \bar{Q} | 2 | 7 | 2 | 6 | ns |
| t_{PLZ} | | | 2 | 7 | 2 | 6 | |

* On products compliant to MIL-STD-883, Class B, this parameter is based on characterization data but is not production tested.

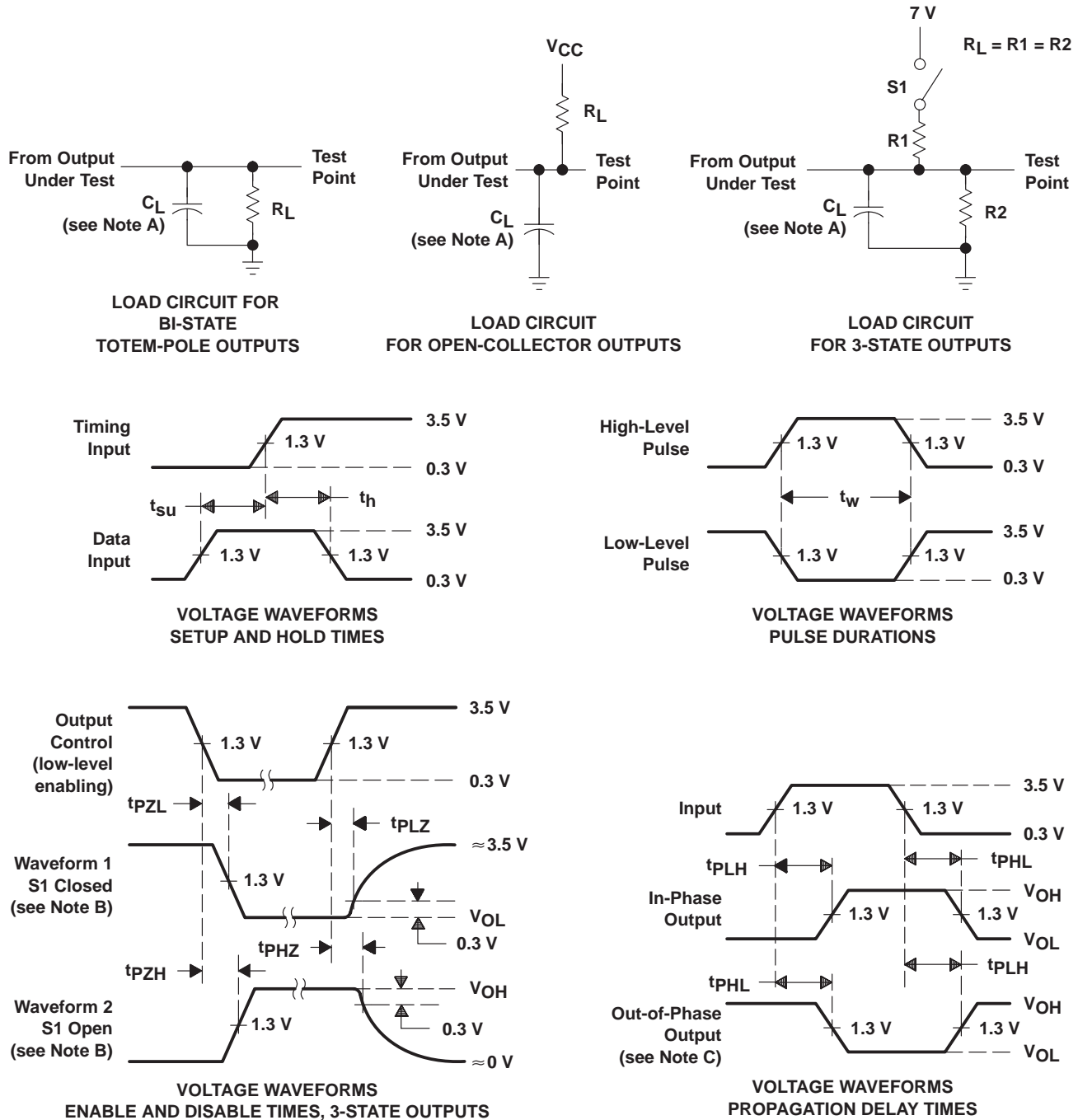
§ For conditions shown as MIN or MAX, use the appropriate value specified under recommended operating conditions.



**SN54ALS576B, SN54AS576
SN74ALS576B, SN74ALS577A, SN74AS576
OCTAL D-TYPE EDGE-TRIGGERED FLIP-FLOPS WITH 3-STATE OUTPUTS**

SDAS065B – DECEMBER 1982 – REVISED JANUARY 1995

**PARAMETER MEASUREMENT INFORMATION
SERIES 54ALS/74ALS AND 54AS/74AS DEVICES**



- NOTES: A. C_L includes probe and jig capacitance.
 B. Waveform 1 is for an output with internal conditions such that the output is low except when disabled by the output control. Waveform 2 is for an output with internal conditions such that the output is high except when disabled by the output control.
 C. When measuring propagation delay items of 3-state outputs, switch S1 is open.
 D. All input pulses have the following characteristics: $PRR \leq 1$ MHz, $t_r = t_f = 2$ ns, duty cycle = 50%.
 E. The outputs are measured one at a time with one transition per measurement.

Figure 1. Load Circuits and Voltage Waveforms

PACKAGING INFORMATION

| Orderable Device | Status (1) | Package Type | Package Drawing | Pins | Package Qty | Eco Plan (2) | Lead/Ball Finish | MSL Peak Temp (3) | Op Temp (°C) | Top-Side Markings (4) | Samples |
|------------------|---------------|--------------|--------------------|------|-------------|----------------------------|------------------|----------------------|--------------|---------------------------------|-------------------------|
| 84001022A | ACTIVE | LCCC | FK | 20 | 1 | TBD | Call TI | Call TI | -55 to 125 | 84001022A SNJ54ALS 576BFK | Samples |
| 8400102RA | ACTIVE | CDIP | J | 20 | 1 | TBD | Call TI | Call TI | -55 to 125 | 8400102RA SNJ54ALS576BJ | Samples |
| 8400102SA | ACTIVE | CFP | W | 20 | 1 | TBD | Call TI | Call TI | -55 to 125 | 8400102SA SNJ54ALS576BW | Samples |
| SN54ALS576BJ | ACTIVE | CDIP | J | 20 | 1 | TBD | A42 | N / A for Pkg Type | -55 to 125 | SN54ALS576BJ | Samples |
| SN74ALS576BDW | ACTIVE | SOIC | DW | 20 | 25 | Green (RoHS & no Sb/Br) | CU NIPDAU | Level-1-260C-UNLIM | 0 to 70 | ALS576B | Samples |
| SN74ALS576BDWE4 | ACTIVE | SOIC | DW | 20 | 25 | Green (RoHS & no Sb/Br) | CU NIPDAU | Level-1-260C-UNLIM | 0 to 70 | ALS576B | Samples |
| SN74ALS576BDWG4 | ACTIVE | SOIC | DW | 20 | 25 | Green (RoHS & no Sb/Br) | CU NIPDAU | Level-1-260C-UNLIM | 0 to 70 | ALS576B | Samples |
| SN74ALS576BDWR | ACTIVE | SOIC | DW | 20 | 2000 | Green (RoHS & no Sb/Br) | CU NIPDAU | Level-1-260C-UNLIM | 0 to 70 | ALS576B | Samples |
| SN74ALS576BDWRE4 | ACTIVE | SOIC | DW | 20 | 2000 | Green (RoHS & no Sb/Br) | CU NIPDAU | Level-1-260C-UNLIM | 0 to 70 | ALS576B | Samples |
| SN74ALS576BDWRG4 | ACTIVE | SOIC | DW | 20 | 2000 | Green (RoHS & no Sb/Br) | CU NIPDAU | Level-1-260C-UNLIM | 0 to 70 | ALS576B | Samples |
| SN74ALS576BN | ACTIVE | PDIP | N | 20 | 20 | Pb-Free (RoHS) | CU NIPDAU | N / A for Pkg Type | 0 to 70 | SN74ALS576BN | Samples |
| SN74ALS576BN3 | OBSOLETE | PDIP | N | 20 | | TBD | Call TI | Call TI | 0 to 70 | | |
| SN74ALS576BNE4 | ACTIVE | PDIP | N | 20 | 20 | Pb-Free (RoHS) | CU NIPDAU | N / A for Pkg Type | 0 to 70 | SN74ALS576BN | Samples |
| SN74ALS576BNSR | ACTIVE | SO | NS | 20 | 2000 | Green (RoHS & no Sb/Br) | CU NIPDAU | Level-1-260C-UNLIM | 0 to 70 | ALS576B | Samples |
| SN74ALS576BNSRE4 | ACTIVE | SO | NS | 20 | 2000 | Green (RoHS & no Sb/Br) | CU NIPDAU | Level-1-260C-UNLIM | 0 to 70 | ALS576B | Samples |
| SN74ALS576BNSRG4 | ACTIVE | SO | NS | 20 | 2000 | Green (RoHS & no Sb/Br) | CU NIPDAU | Level-1-260C-UNLIM | 0 to 70 | ALS576B | Samples |
| SN74ALS577ADW | ACTIVE | SOIC | DW | 24 | 25 | Green (RoHS & no Sb/Br) | CU NIPDAU | Level-1-260C-UNLIM | 0 to 70 | ALS577A | Samples |

| Orderable Device | Status (1) | Package Type | Package Drawing | Pins | Package Qty | Eco Plan (2) | Lead/Ball Finish | MSL Peak Temp (3) | Op Temp (°C) | Top-Side Markings (4) | Samples |
|------------------|---------------|--------------|-----------------|------|-------------|-------------------------|------------------|----------------------|--------------|---------------------------------|-------------------------|
| SN74ALS577ADWE4 | ACTIVE | SOIC | DW | 24 | 25 | Green (RoHS & no Sb/Br) | CU NIPDAU | Level-1-260C-UNLIM | 0 to 70 | ALS577A | Samples |
| SN74ALS577ADWG4 | ACTIVE | SOIC | DW | 24 | 25 | Green (RoHS & no Sb/Br) | CU NIPDAU | Level-1-260C-UNLIM | 0 to 70 | ALS577A | Samples |
| SN74ALS577ADWR | ACTIVE | SOIC | DW | 24 | 2000 | Green (RoHS & no Sb/Br) | CU NIPDAU | Level-1-260C-UNLIM | 0 to 70 | ALS577A | Samples |
| SN74ALS577ADWRE4 | ACTIVE | SOIC | DW | 24 | 2000 | Green (RoHS & no Sb/Br) | CU NIPDAU | Level-1-260C-UNLIM | 0 to 70 | ALS577A | Samples |
| SN74ALS577ADWRG4 | ACTIVE | SOIC | DW | 24 | 2000 | Green (RoHS & no Sb/Br) | CU NIPDAU | Level-1-260C-UNLIM | 0 to 70 | ALS577A | Samples |
| SN74ALS577ANT | ACTIVE | PDIP | NT | 24 | 15 | Pb-Free (RoHS) | CU NIPDAU | N / A for Pkg Type | 0 to 70 | SN74ALS577ANT | Samples |
| SN74ALS577ANT3 | OBSOLETE | PDIP | NT | 24 | | TBD | Call TI | Call TI | 0 to 70 | | |
| SN74ALS577ANTE4 | ACTIVE | PDIP | NT | 24 | 15 | Pb-Free (RoHS) | CU NIPDAU | N / A for Pkg Type | 0 to 70 | SN74ALS577ANT | Samples |
| SN74AS576DW | ACTIVE | SOIC | DW | 20 | 25 | Green (RoHS & no Sb/Br) | CU NIPDAU | Level-1-260C-UNLIM | 0 to 70 | AS576 | Samples |
| SN74AS576DWE4 | ACTIVE | SOIC | DW | 20 | 25 | Green (RoHS & no Sb/Br) | CU NIPDAU | Level-1-260C-UNLIM | 0 to 70 | AS576 | Samples |
| SN74AS576DWG4 | ACTIVE | SOIC | DW | 20 | 25 | Green (RoHS & no Sb/Br) | CU NIPDAU | Level-1-260C-UNLIM | 0 to 70 | AS576 | Samples |
| SN74AS576N | ACTIVE | PDIP | N | 20 | 20 | Pb-Free (RoHS) | CU NIPDAU | N / A for Pkg Type | 0 to 70 | SN74AS576N | Samples |
| SN74AS576NE4 | ACTIVE | PDIP | N | 20 | 20 | Pb-Free (RoHS) | CU NIPDAU | N / A for Pkg Type | 0 to 70 | SN74AS576N | Samples |
| SNJ54ALS576BFK | ACTIVE | LCCC | FK | 20 | 1 | TBD | POST-PLATE | N / A for Pkg Type | -55 to 125 | 84001022A SNJ54ALS 576BFK | Samples |
| SNJ54ALS576BJ | ACTIVE | CDIP | J | 20 | 1 | TBD | A42 | N / A for Pkg Type | -55 to 125 | 8400102RA SNJ54ALS576BJ | Samples |
| SNJ54ALS576BW | ACTIVE | CFP | W | 20 | 1 | TBD | Call TI | N / A for Pkg Type | -55 to 125 | 8400102SA SNJ54ALS576BW | Samples |
| SNJ54AS576FK | ACTIVE | LCCC | FK | 20 | 1 | TBD | POST-PLATE | N / A for Pkg Type | -55 to 125 | SNJ54AS 576FK | Samples |
| SNJ54AS576J | ACTIVE | CDIP | J | 20 | 1 | TBD | A42 | N / A for Pkg Type | -55 to 125 | SNJ54AS576J | Samples |

(1) The marketing status values are defined as follows:

ACTIVE: Product device recommended for new designs.

LIFEBUY: TI has announced that the device will be discontinued, and a lifetime-buy period is in effect.

NRND: Not recommended for new designs. Device is in production to support existing customers, but TI does not recommend using this part in a new design.

PREVIEW: Device has been announced but is not in production. Samples may or may not be available.

OBSOLETE: TI has discontinued the production of the device.

(2) Eco Plan - The planned eco-friendly classification: Pb-Free (RoHS), Pb-Free (RoHS Exempt), or Green (RoHS & no Sb/Br) - please check <http://www.ti.com/productcontent> for the latest availability information and additional product content details.

TBD: The Pb-Free/Green conversion plan has not been defined.

Pb-Free (RoHS): TI's terms "Lead-Free" or "Pb-Free" mean semiconductor products that are compatible with the current RoHS requirements for all 6 substances, including the requirement that lead not exceed 0.1% by weight in homogeneous materials. Where designed to be soldered at high temperatures, TI Pb-Free products are suitable for use in specified lead-free processes.

Pb-Free (RoHS Exempt): This component has a RoHS exemption for either 1) lead-based flip-chip solder bumps used between the die and package, or 2) lead-based die adhesive used between the die and leadframe. The component is otherwise considered Pb-Free (RoHS compatible) as defined above.

Green (RoHS & no Sb/Br): TI defines "Green" to mean Pb-Free (RoHS compatible), and free of Bromine (Br) and Antimony (Sb) based flame retardants (Br or Sb do not exceed 0.1% by weight in homogeneous material)

(3) MSL, Peak Temp. -- The Moisture Sensitivity Level rating according to the JEDEC industry standard classifications, and peak solder temperature.

(4) Only one of markings shown within the brackets will appear on the physical device.

Important Information and Disclaimer: The information provided on this page represents TI's knowledge and belief as of the date that it is provided. TI bases its knowledge and belief on information provided by third parties, and makes no representation or warranty as to the accuracy of such information. Efforts are underway to better integrate information from third parties. TI has taken and continues to take reasonable steps to provide representative and accurate information but may not have conducted destructive testing or chemical analysis on incoming materials and chemicals. TI and TI suppliers consider certain information to be proprietary, and thus CAS numbers and other limited information may not be available for release.

In no event shall TI's liability arising out of such information exceed the total purchase price of the TI part(s) at issue in this document sold by TI to Customer on an annual basis.

OTHER QUALIFIED VERSIONS OF SN54ALS576B, SN54AS576, SN74ALS576B, SN74AS576 :

● Catalog: [SN74ALS576B](#), [SN74AS576](#)

● Military: [SN54ALS576B](#), [SN54AS576](#)

NOTE: Qualified Version Definitions:

● Catalog - TI's standard catalog product

● Military - QML certified for Military and Defense Applications

TAPE AND REEL INFORMATION

QUADRANT ASSIGNMENTS FOR PIN 1 ORIENTATION IN TAPE


*All dimensions are nominal

| Device | Package Type | Package Drawing | Pins | SPQ | Reel Diameter (mm) | Reel Width W1 (mm) | A0 (mm) | B0 (mm) | K0 (mm) | P1 (mm) | W (mm) | Pin1 Quadrant |
|----------------|--------------|-----------------|------|------|--------------------|--------------------|---------|---------|---------|---------|--------|---------------|
| SN74ALS576BDWR | SOIC | DW | 20 | 2000 | 330.0 | 24.4 | 10.8 | 13.0 | 2.7 | 12.0 | 24.0 | Q1 |
| SN74ALS576BNSR | SO | NS | 20 | 2000 | 330.0 | 24.4 | 8.2 | 13.0 | 2.5 | 12.0 | 24.0 | Q1 |
| SN74ALS577ADWR | SOIC | DW | 24 | 2000 | 330.0 | 24.4 | 10.75 | 15.7 | 2.7 | 12.0 | 24.0 | Q1 |

TAPE AND REEL BOX DIMENSIONS



*All dimensions are nominal

| Device | Package Type | Package Drawing | Pins | SPQ | Length (mm) | Width (mm) | Height (mm) |
|----------------|--------------|-----------------|------|------|-------------|------------|-------------|
| SN74ALS576BDWR | SOIC | DW | 20 | 2000 | 367.0 | 367.0 | 45.0 |
| SN74ALS576BNSR | SO | NS | 20 | 2000 | 367.0 | 367.0 | 45.0 |
| SN74ALS577ADWR | SOIC | DW | 24 | 2000 | 367.0 | 367.0 | 45.0 |

J (R-GDIP-T**)

14 LEADS SHOWN

CERAMIC DUAL IN-LINE PACKAGE



| DIM \ PINS ** | 14 | 16 | 18 | 20 |
|---------------|------------------------|------------------------|------------------------|------------------------|
| A | 0.300 (7,62) BSC | 0.300 (7,62) BSC | 0.300 (7,62) BSC | 0.300 (7,62) BSC |
| B MAX | 0.785 (19,94) | .840 (21,34) | 0.960 (24,38) | 1.060 (26,92) |
| B MIN | — | — | — | — |
| C MAX | 0.300 (7,62) | 0.300 (7,62) | 0.310 (7,87) | 0.300 (7,62) |
| C MIN | 0.245 (6,22) | 0.245 (6,22) | 0.220 (5,59) | 0.245 (6,22) |

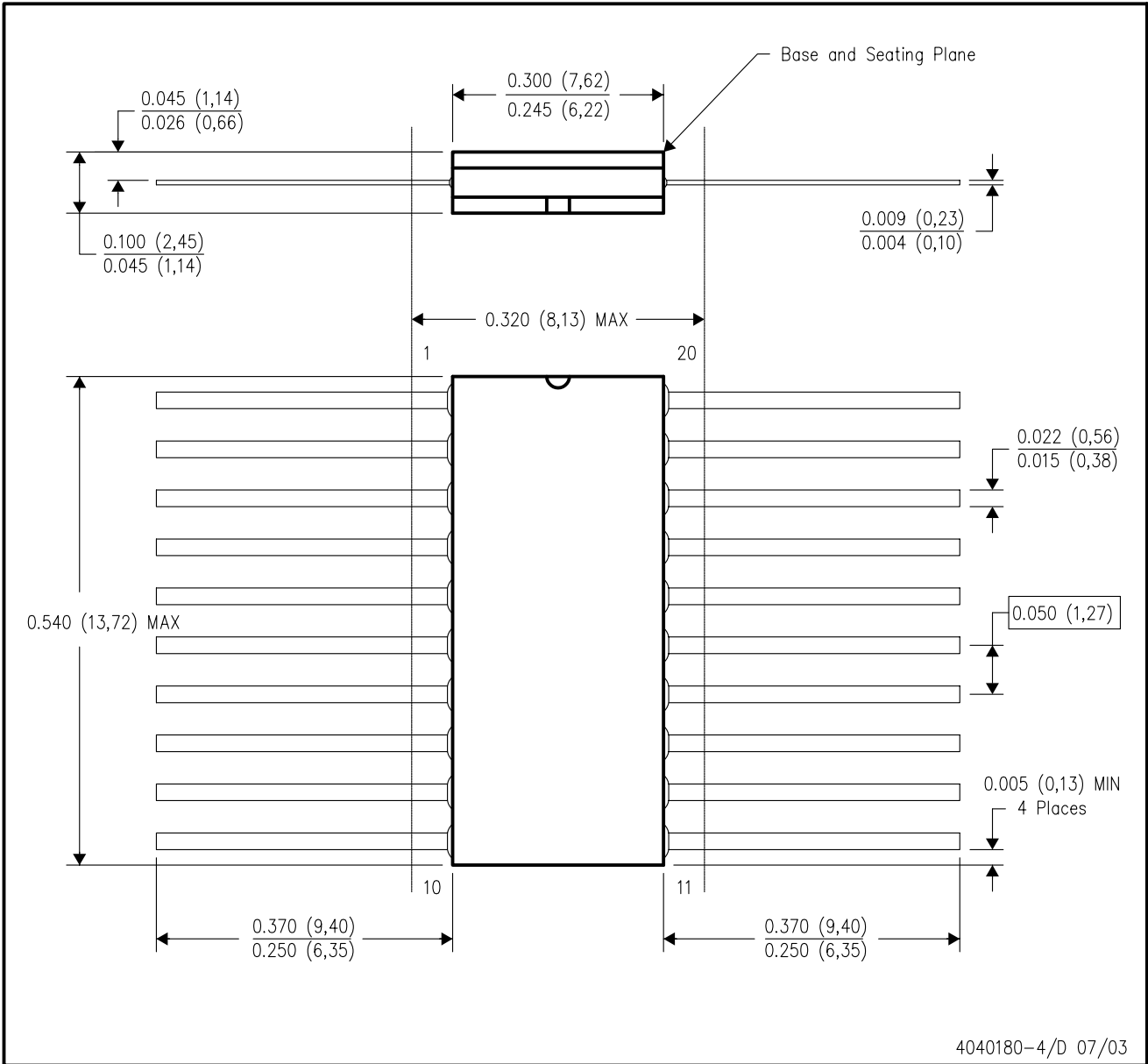


4040083/F 03/03

- NOTES:
- All linear dimensions are in inches (millimeters).
 - This drawing is subject to change without notice.
 - This package is hermetically sealed with a ceramic lid using glass frit.
 - Index point is provided on cap for terminal identification only on press ceramic glass frit seal only.
 - Falls within MIL STD 1835 GDIP1-T14, GDIP1-T16, GDIP1-T18 and GDIP1-T20.

W (R-GDFP-F20)

CERAMIC DUAL FLATPACK



- NOTES:
- A. All linear dimensions are in inches (millimeters).
 - B. This drawing is subject to change without notice.
 - C. This package can be hermetically sealed with a ceramic lid using glass frit.
 - D. Index point is provided on cap for terminal identification only.
 - E. Falls within Mil-Std 1835 GDFP2-F20

N (R-PDIP-T**)

PLASTIC DUAL-IN-LINE PACKAGE

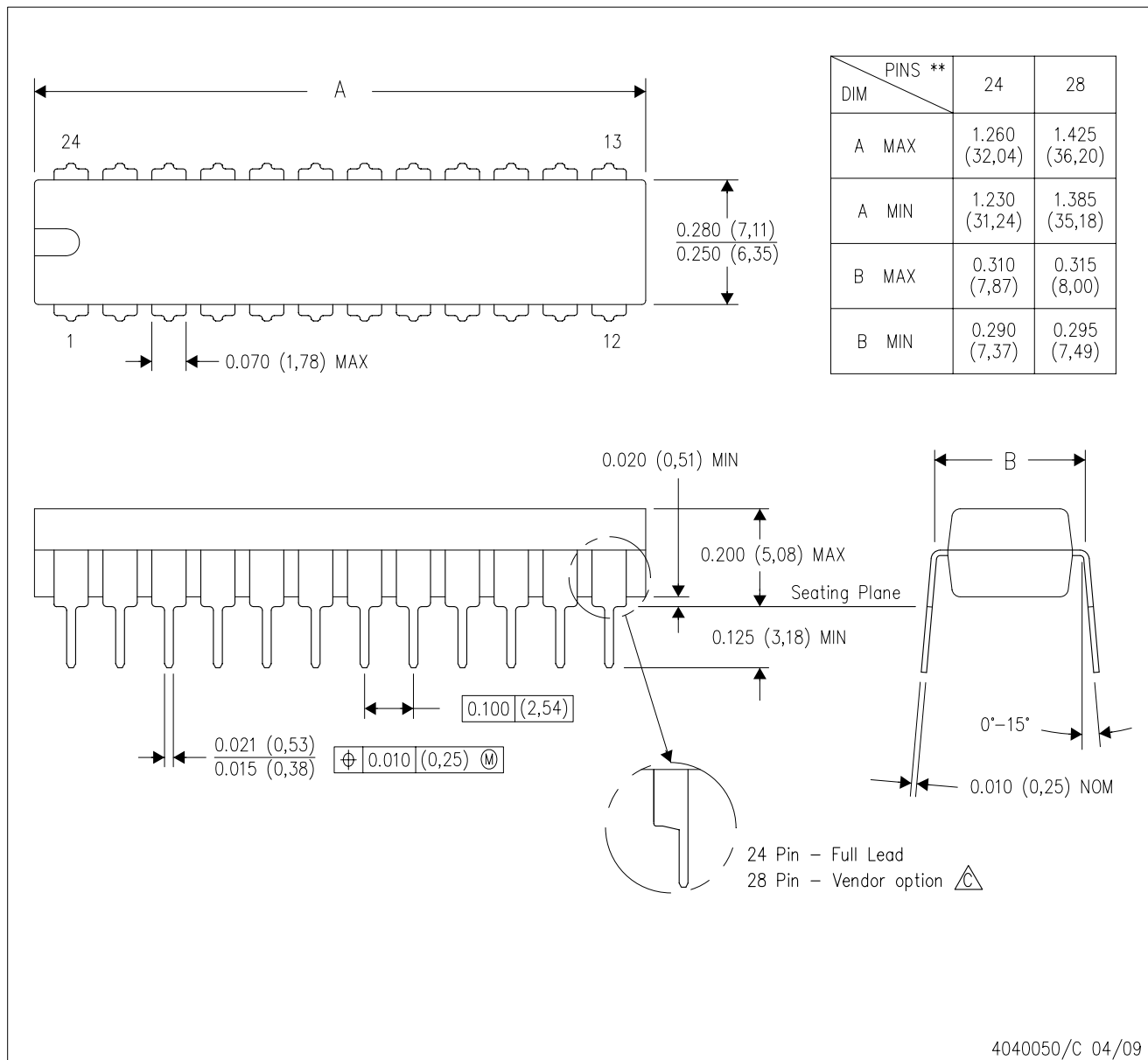
16 PINS SHOWN




MECHANICAL DATA

NT (R-PDIP-T**) 24 PINS SHOWN

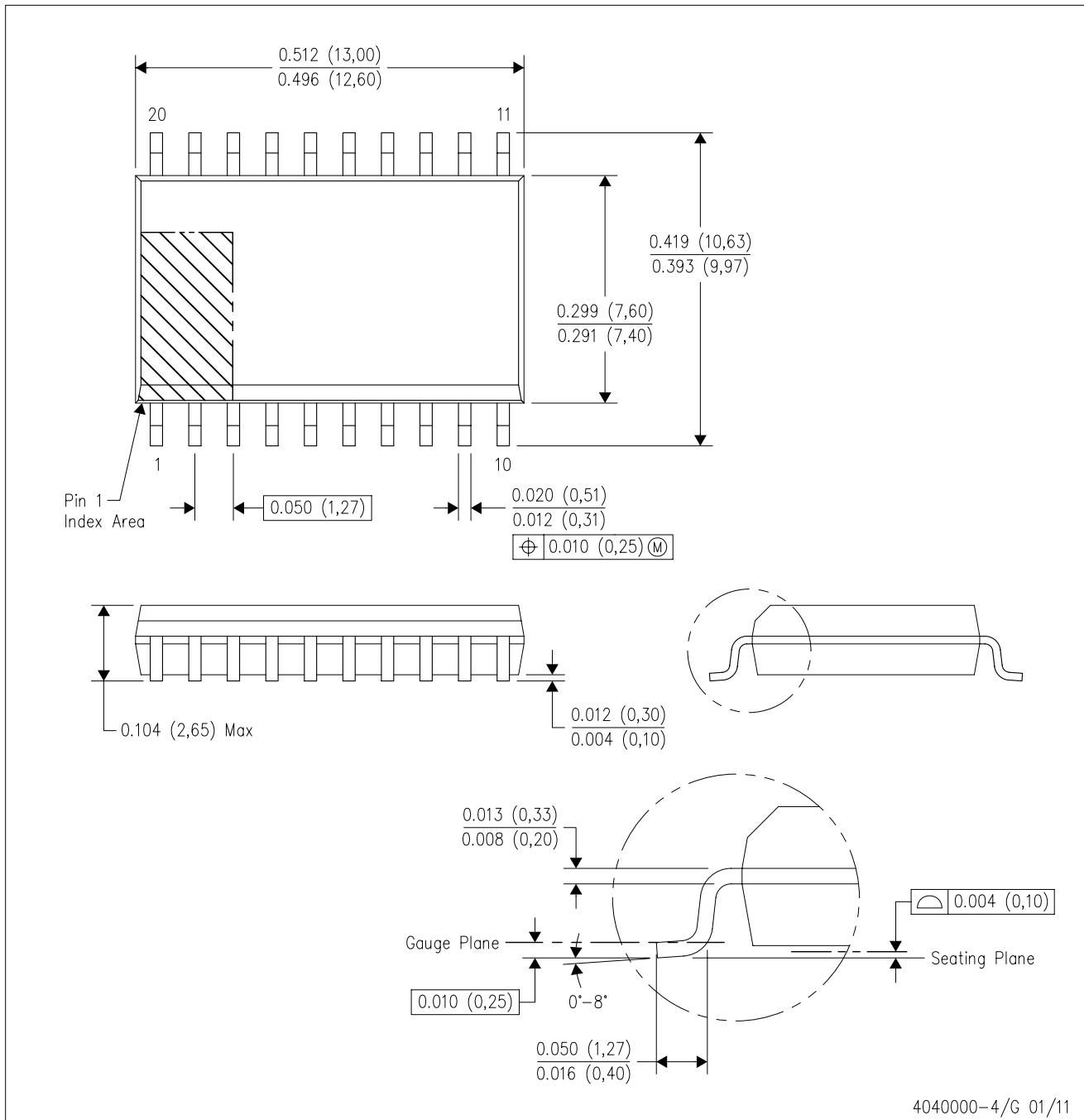
PLASTIC DUAL-IN-LINE PACKAGE



- NOTES:
- A. All linear dimensions are in millimeters. Dimensioning and tolerancing per ASME Y14.5M-1994.
 - B. This drawing is subject to change without notice.
 -  The 28 pin end lead shoulder width is a vendor option, either half or full width.

DW (R-PDSO-G20)

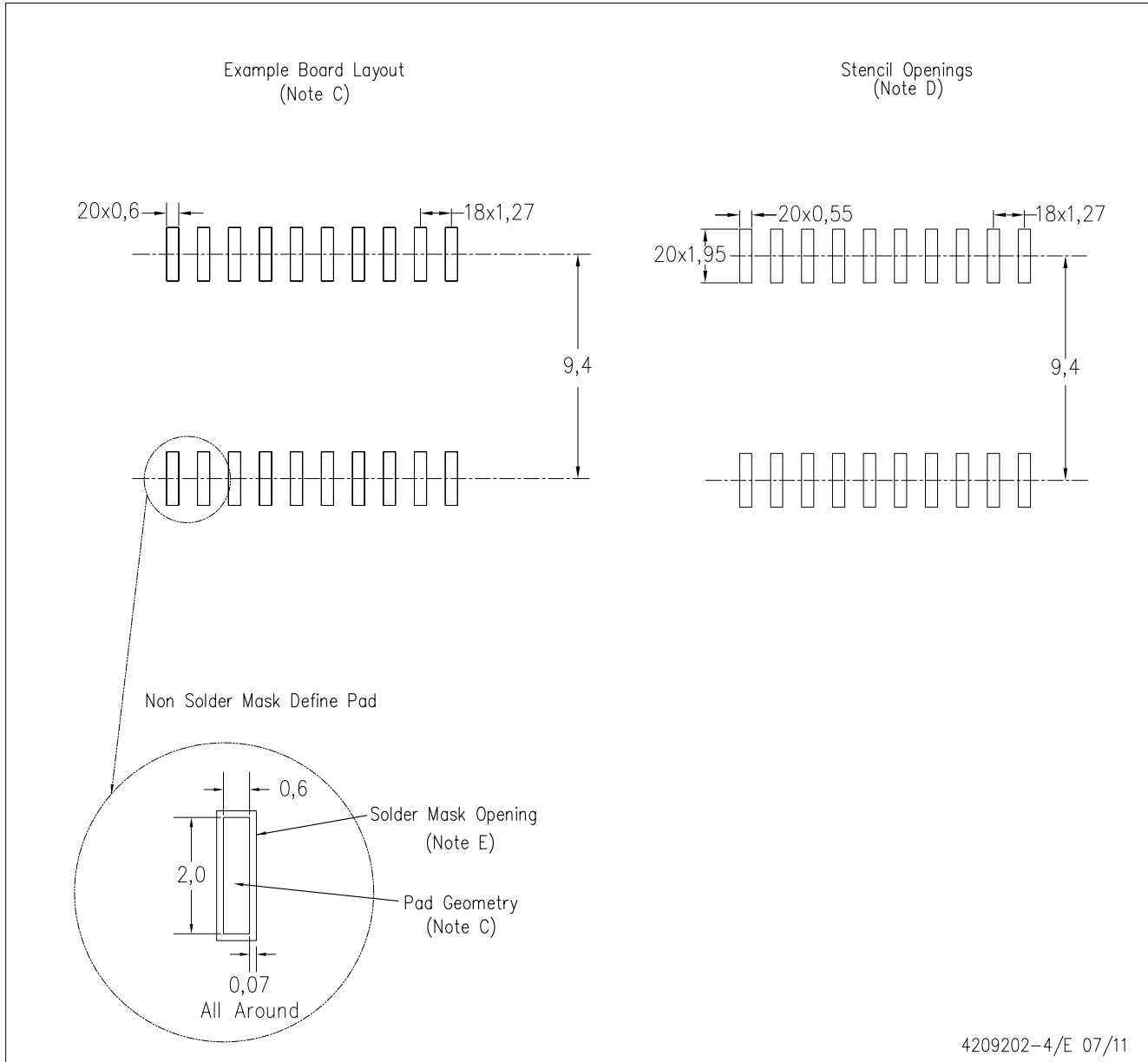
PLASTIC SMALL OUTLINE



- NOTES:
- A. All linear dimensions are in inches (millimeters). Dimensioning and tolerancing per ASME Y14.5M-1994.
 - B. This drawing is subject to change without notice.
 - C. Body dimensions do not include mold flash or protrusion not to exceed 0.006 (0,15).
 - D. Falls within JEDEC MS-013 variation AC.

DW (R-PDSO-G20)

PLASTIC SMALL OUTLINE



4209202-4/E 07/11

- NOTES:
- A. All linear dimensions are in millimeters.
 - B. This drawing is subject to change without notice.
 - C. Refer to IPC7351 for alternate board design.
 - D. Laser cutting apertures with trapezoidal walls and also rounding corners will offer better paste release. Customers should contact their board assembly site for stencil design recommendations. Refer to IPC-7525
 - E. Customers should contact their board fabrication site for solder mask tolerances between and around signal pads.

DW (R-PDSO-G24)

PLASTIC SMALL OUTLINE



- NOTES:
- A. All linear dimensions are in inches (millimeters). Dimensioning and tolerancing per ASME Y14.5M-1994.
 - B. This drawing is subject to change without notice.
 - C. Body dimensions do not include mold flash or protrusion not to exceed 0.006 (0,15).
 - D. Falls within JEDEC MS-013 variation AD.

MECHANICAL DATA

NS (R-PDSO-G**)

PLASTIC SMALL-OUTLINE PACKAGE

14-PINS SHOWN



- NOTES:
- A. All linear dimensions are in millimeters.
 - B. This drawing is subject to change without notice.
 - C. Body dimensions do not include mold flash or protrusion, not to exceed 0,15.

IMPORTANT NOTICE

Texas Instruments Incorporated and its subsidiaries (TI) reserve the right to make corrections, enhancements, improvements and other changes to its semiconductor products and services per JESD46, latest issue, and to discontinue any product or service per JESD48, latest issue. Buyers should obtain the latest relevant information before placing orders and should verify that such information is current and complete. All semiconductor products (also referred to herein as "components") are sold subject to TI's terms and conditions of sale supplied at the time of order acknowledgment.

TI warrants performance of its components to the specifications applicable at the time of sale, in accordance with the warranty in TI's terms and conditions of sale of semiconductor products. Testing and other quality control techniques are used to the extent TI deems necessary to support this warranty. Except where mandated by applicable law, testing of all parameters of each component is not necessarily performed.

TI assumes no liability for applications assistance or the design of Buyers' products. Buyers are responsible for their products and applications using TI components. To minimize the risks associated with Buyers' products and applications, Buyers should provide adequate design and operating safeguards.

TI does not warrant or represent that any license, either express or implied, is granted under any patent right, copyright, mask work right, or other intellectual property right relating to any combination, machine, or process in which TI components or services are used. Information published by TI regarding third-party products or services does not constitute a license to use such products or services or a warranty or endorsement thereof. Use of such information may require a license from a third party under the patents or other intellectual property of the third party, or a license from TI under the patents or other intellectual property of TI.

Reproduction of significant portions of TI information in TI data books or data sheets is permissible only if reproduction is without alteration and is accompanied by all associated warranties, conditions, limitations, and notices. TI is not responsible or liable for such altered documentation. Information of third parties may be subject to additional restrictions.

Resale of TI components or services with statements different from or beyond the parameters stated by TI for that component or service voids all express and any implied warranties for the associated TI component or service and is an unfair and deceptive business practice. TI is not responsible or liable for any such statements.

Buyer acknowledges and agrees that it is solely responsible for compliance with all legal, regulatory and safety-related requirements concerning its products, and any use of TI components in its applications, notwithstanding any applications-related information or support that may be provided by TI. Buyer represents and agrees that it has all the necessary expertise to create and implement safeguards which anticipate dangerous consequences of failures, monitor failures and their consequences, lessen the likelihood of failures that might cause harm and take appropriate remedial actions. Buyer will fully indemnify TI and its representatives against any damages arising out of the use of any TI components in safety-critical applications.

In some cases, TI components may be promoted specifically to facilitate safety-related applications. With such components, TI's goal is to help enable customers to design and create their own end-product solutions that meet applicable functional safety standards and requirements. Nonetheless, such components are subject to these terms.

No TI components are authorized for use in FDA Class III (or similar life-critical medical equipment) unless authorized officers of the parties have executed a special agreement specifically governing such use.

Only those TI components which TI has specifically designated as military grade or "enhanced plastic" are designed and intended for use in military/aerospace applications or environments. Buyer acknowledges and agrees that any military or aerospace use of TI components which have **not** been so designated is solely at the Buyer's risk, and that Buyer is solely responsible for compliance with all legal and regulatory requirements in connection with such use.

TI has specifically designated certain components as meeting ISO/TS16949 requirements, mainly for automotive use. In any case of use of non-designated products, TI will not be responsible for any failure to meet ISO/TS16949.

Products

| | |
|------------------------------|--|
| Audio | www.ti.com/audio |
| Amplifiers | amplifier.ti.com |
| Data Converters | dataconverter.ti.com |
| DLP® Products | www.dlp.com |
| DSP | dsp.ti.com |
| Clocks and Timers | www.ti.com/clocks |
| Interface | interface.ti.com |
| Logic | logic.ti.com |
| Power Mgmt | power.ti.com |
| Microcontrollers | microcontroller.ti.com |
| RFID | www.ti-rfid.com |
| OMAP Applications Processors | www.ti.com/omap |
| Wireless Connectivity | www.ti.com/wirelessconnectivity |

Applications

| | |
|-------------------------------|--|
| Automotive and Transportation | www.ti.com/automotive |
| Communications and Telecom | www.ti.com/communications |
| Computers and Peripherals | www.ti.com/computers |
| Consumer Electronics | www.ti.com/consumer-apps |
| Energy and Lighting | www.ti.com/energy |
| Industrial | www.ti.com/industrial |
| Medical | www.ti.com/medical |
| Security | www.ti.com/security |
| Space, Avionics and Defense | www.ti.com/space-avionics-defense |
| Video and Imaging | www.ti.com/video |

TI E2E Community

e2e.ti.com



Стандарт Электрон Связь

Мы молодая и активно развивающаяся компания в области поставок электронных компонентов. Мы поставляем электронные компоненты отечественного и импортного производства напрямую от производителей и с крупнейших складов мира.

Благодаря сотрудничеству с мировыми поставщиками мы осуществляем комплексные и плановые поставки широчайшего спектра электронных компонентов.

Собственная эффективная логистика и склад в обеспечивает надежную поставку продукции в точно указанные сроки по всей России.

Мы осуществляем техническую поддержку нашим клиентам и предпродажную проверку качества продукции. На все поставляемые продукты мы предоставляем гарантию .

Осуществляем поставки продукции под контролем ВП МО РФ на предприятия военно-промышленного комплекса России , а также работаем в рамках 275 ФЗ с открытием отдельных счетов в уполномоченном банке. Система менеджмента качества компании соответствует требованиям ГОСТ ISO 9001.

Минимальные сроки поставки, гибкие цены, неограниченный ассортимент и индивидуальный подход к клиентам являются основой для выстраивания долгосрочного и эффективного сотрудничества с предприятиями радиоэлектронной промышленности, предприятиями ВПК и научно-исследовательскими институтами России.

С нами вы становитесь еще успешнее!

Наши контакты:

Телефон: +7 812 627 14 35

Электронная почта: sales@st-electron.ru

Адрес: 198099, Санкт-Петербург,
Промышленная ул, дом № 19, литера Н,
помещение 100-Н Офис 331