



DisplayPort to DVI™/HDMI Level Shifter

MAX9406

General Description

The MAX9406 high-speed, low-skew, quad differential input to current-mode logic (CML) translator features high-speed signal conversion of the DisplayPort™ (DP) to High-Definition Multimedia Interface (HDMI™) technology. This device features ultra-low propagation delay of 350ps and channel-to-channel skew of less than 20ps. The MAX9406 supports typical data rates of 2Gbps.

The MAX9406 provides the level shift for HDMI's Display Data Channel (DDC) and hot-plug detection (HPD), which converts the 5V single-ended logic to 3.3V single-ended logic.

The MAX9406 operates from a 3V to 3.6V core supply and is specified over the -40°C to +85°C extended temperature range. This device is available in 48-pin, 7mm x 7mm thin QFN and 32-pin, 5mm x 5mm thin QFN packages.

Applications

- Level Conversion for DP to HDMI
- Data and Clock Driver and Buffer
- Backplane Data and Clock Distribution
- Base Stations
- ATE

DVI is a trademark of Digital Display Working Group (DDWG).
 DisplayPort is a trademark of Video Electronics Standards Association (VESA).
 HDMI is a trademark of HDMI Licensing, LLC.

Features

- ◆ 500mV Differential HDMI Output at 2Gbps Data Rate
- ◆ 350ps Propagation Delay
- ◆ 20ps Channel-to-Channel Skew at 2Gbps
- ◆ Low Jitters: DJ = 11ps_{p-p} and RJ = 0.5ps_{RMS}
- ◆ Bidirectional Level Shifter of 5V to 3.3V for DDC Pins
- ◆ Level Shifter of 5V to 3.3V for I/Os
- ◆ Integrated 50Ω Input Terminations and Biasing
- ◆ -40°C to +85°C Operating Temperature Range

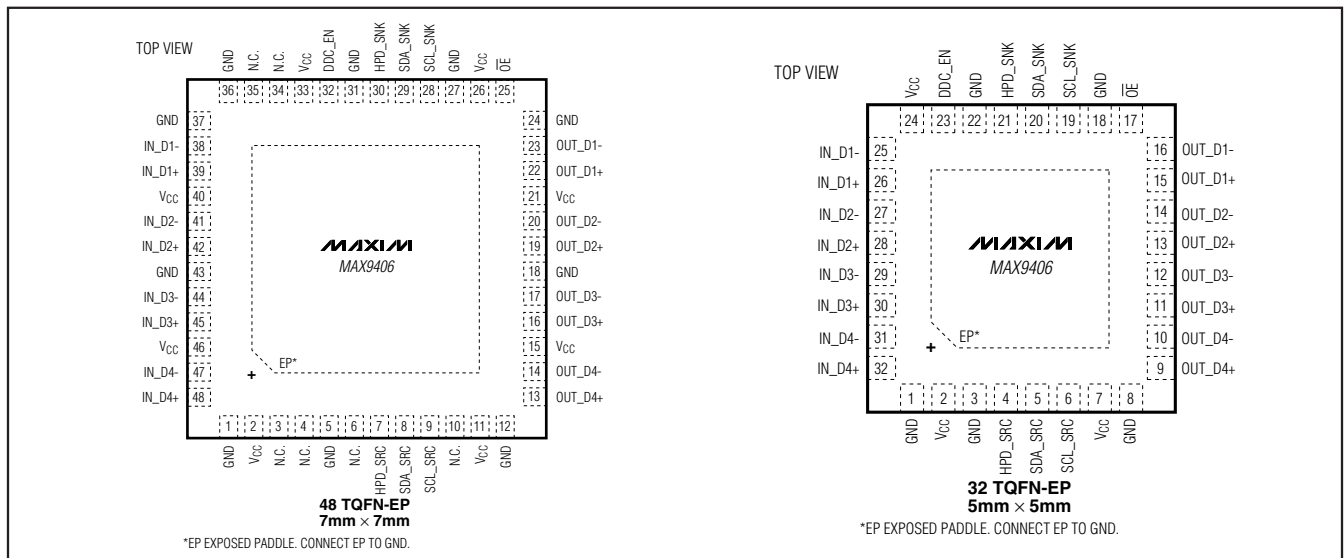
Ordering Information

PART	TEMP RANGE	PIN-PACKAGE	PKG CODE
MAX9406ETJ+	-40°C to +85°C	32 Thin QFN-EP* (5mm x 5mm x 0.8mm)	T3255-4
MAX9406ETM+	-40°C to +85°C	48 Thin QFN-EP* (7mm x 7mm x 0.8mm)	T4877-6

+ Denotes a lead-free package.

*EP = Exposed paddle.

Pin Configurations



DisplayPort to DVI™/HDMI Level Shifter

ABSOLUTE MAXIMUM RATINGS

V _{CC} to GND	-0.3V to +4V
All Pins to GND	-0.3V to (V _{CC} + 0.3V)
Short-Circuit Duration (all outputs)	Continuous
Continuous Power Dissipation (T _A = +70°C)	
32-Pin Thin QFN (derate 21.3mW/°C above +70°C)	.1702mW
48-Pin Thin QFN (derate 27.8mW/°C above +70°C)	.2222mW
Junction-to-Case Thermal Resistance (θ _{JC}) (Note 1)	
32-Pin Thin QFN	+1.7°C/W
48-Pin Thin QFN	+0.8°C/W
Junction-to-Ambient Thermal Resistance (θ _{JA}) (Note 1)	
32-Pin Thin QFN	+29°C/W
48-Pin Thin QFN	+25°C/W

Operating Temperature Range	-40°C to +85°C
Junction Temperature	+150°C
Storage Temperature Range	-65°C to +150°C
ESD Protection	
Human Body Model (R _D = 1.5kΩ, C _S = 100pF)	
IN_D_ and OUT_D_ to GND	±1.5kV
Lead Temperature (soldering, 10s)	+300°C

Note 1: Package thermal resistances were obtained using the method described in JEDEC specification JESD51-7, using a 4-layer board. For detailed information on package thermal considerations, refer to *Application Note 4083* at www.maxim-ic.com/thermal-tutorial.

Stresses beyond those listed under "Absolute Maximum Ratings" may cause permanent damage to the device. These are stress ratings only, and functional operation of the device at these or any other conditions beyond those indicated in the operational sections of the specifications is not implied. Exposure to absolute maximum rating conditions for extended periods may affect device reliability.

DC ELECTRICAL CHARACTERISTICS

(V_{CC} = 3V to 3.6V, T_A = -40°C to +85°C, unless otherwise noted. Typical values are at V_{CC} = 3.3V, T_A = +25°C.)

PARAMETER	SYMBOL	CONDITIONS	MIN	TYP	MAX	UNITS
OE INPUT						
Input High Level	V _{IH1}		2.4			V
Input Low Level	V _{IL1}				0.5	V
Input Current	I _{IN-EN}	V _{IN} = 0 to V _{CC}		24		μA
DDC_EN INPUT						
Input High Level	V _{IH1}		2.4			V
Input Low Level	V _{IL1}				0.5	V
Input Current	I _{IN-DDC}	V _{IN} = 0 to V _{CC}		100		μA
HPD INPUT AND OUTPUT						
Input High Level	V _{IH2}		2.4		5.3	V
Input Low Level	V _{IL2}				0.8	V
Input Current	I _{IN2}	V _{IN} = 0 to V _{CC}		80		μA
HPD_SNK Pulldown Resistance	R _{HDPD}		40	60		kΩ
Output High Level	V _{OH-HPDB}		2.5		V _{CC}	V
Output Low Level	V _{OL-HPDB}		0	0.18	0.4	V
DIFFERENTIAL INPUTS (IN_)						
Differential Input High Threshold	V _{IDH}	V _{ID} = V _{IN+} - V _{IN-}			50	mV
Differential Input Low Threshold	V _{IDL}	V _{ID} = V _{IN+} - V _{IN-}	-50			mV
Common Input Voltage	V _{COM}	V _{COD} = DC Avg [(V _{IN+} + V _{IN-}) / 2]	0	1.43	2	V
Common-Mode AC Tolerance	V _{CM-AC-P-P}	V _{CM-AC-P-P} = (V _{IN+} + V _{IN-}) / 2 - V _{COD}			100	mV
Differential Input Termination	R _{IIN}		40		60	Ω

DisplayPort to DVI™/HDMI Level Shifter

MAX9406

DC ELECTRICAL CHARACTERISTICS (continued)

(V_{CC} = 3V to 3.6V, T_A = -40°C to +85°C, unless otherwise noted. Typical values are at V_{CC} = 3.3V, T_A = +25°C.)

PARAMETER	SYMBOL	CONDITIONS	MIN	TYP	MAX	UNITS
DIFFERENTIAL OUTPUTS (OUT₋)						
Single-Ended Output Swing	V _{OSW}	With a 50Ω load to V _{CC} at both pins	450		600	mV
Single-Ended Output High	V _{OH3}	With a 50Ω load to V _{CC} at both pins	V _{CC} - 10mV		V _{CC} + 10mV	mV
Single-Ended Output Low	V _{OL3}	With a 50Ω load to V _{CC} at both pins	V _{CC} - 600mV		V _{CC} - 400mV	V
Single-Ended Output Current in High-Z	I _{OFF}		-10		+10	μA
Output Short-Circuit Current	I _{OS}	Output pins connected to V _{CC} or GND	-20		+20	mA
POWER CONSUMPTION						
Supply Current	I _{CC}	Includes 4 channels CML termination supply current, $\overline{OE} = 0$		77	90	mA
	I _{PD}	$\overline{OE} = 1$		5		

AC ELECTRICAL CHARACTERISTICS

(V_{CC} = 3V to 3.6V, T_A = -40°C to +85°C, unless otherwise noted. Typical values are at V_{CC} = 3.3V, T_A = +25°C.) (Note 2)

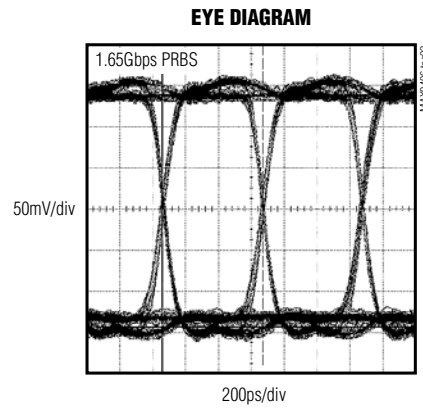
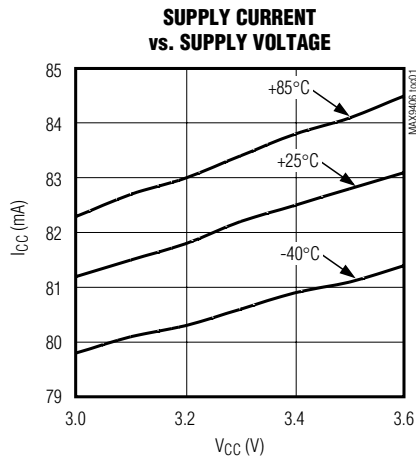
PARAMETER	SYMBOL	CONDITIONS	MIN	TYP	MAX	UNITS
DIFFERENTIAL SIGNAL						
Maximum Data Rate	r _D		1.85			Gbps
Differential Propagation Delay	t _{PD}			350	500	ps
Channel-to-Channel Skew	t _{SK}			20	50	ps
Output Rise/Fall Time	t _{R/F}		180		515	ps
Added Random Jitter	t _{RJ}	1GHz clock input		0.5	1	ps _{RMS}
Added Deterministic Jitter	t _{DJ}	r _D = 2Gbps, 2 ²³ - 1 PRBS pattern		11	30	ps _{P-P}
SINGLE-ENDED SIGNAL						
CLK Frequency	f _{SCK}	Supports I ² C fast mode			400	kHz
HPD_SRC Rise/Fall Time	t _{RF-HPDB}		1		20	ns
HPD Propagation Delay	t _{HPD}				200	ns

Note 2: AC parameters are guaranteed by design and characterization.

DisplayPort to DVI™/HDMI Level Shifter

Typical Operating Characteristics

(V_{CC} = 3.3V, outputs terminated with 50Ω, T_A = +25°C, unless otherwise noted.)



DisplayPort to DVI™/HDMI Level Shifter

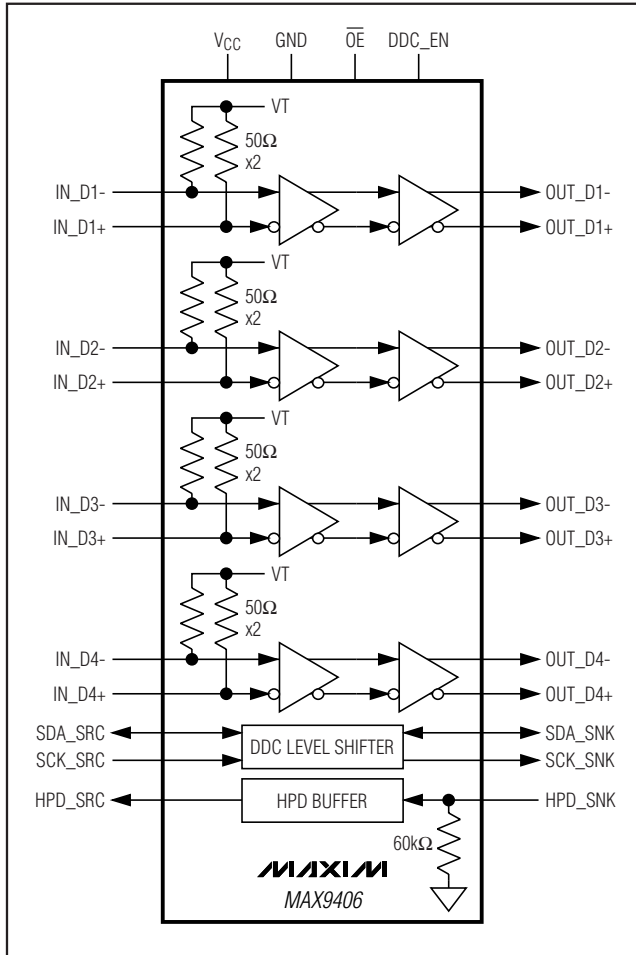
Pin Description

MAX9406

PIN		NAME	FUNCTION
32-PIN TQFN	48-PIN TQFN		
1, 3, 8, 18, 22	1, 5, 12, 18, 24, 27, 31, 36, 37, 43	GND	Ground
2, 7, 24	2, 11, 15, 21, 26, 33, 40, 46	VCC	Power-Supply Input. Bypass VCC to GND with 0.1μF and 0.01μF capacitors as close to the supply pins as possible.
—	3, 4, 6, 10, 34, 35	N.C.	No Connection. Not internally connected; leave unconnected.
4	7	HPD_SRC	Hot-Plug Detection at 3.3V Logic
5	8	SDA_SRC	Serial Data Line. I ² C data line at 3.3V logic.
6	9	SCL_SRC	Serial Clock Line. I ² C clock line at 3.3V logic.
9	13	OUT_D4+	Differential Output Port 4+
10	14	OUT_D4-	Differential Output Port 4-
11	16	OUT_D3+	Differential Output Port 3+
12	17	OUT_D3-	Differential Output Port 3-
13	19	OUT_D2+	Differential Output Port 2+
14	20	OUT_D2-	Differential Output Port 2-
15	22	OUT_D1+	Differential Output Port 1+
16	23	OUT_D1-	Differential Output Port 1-
17	25	\overline{OE}	Output Enable. Drive \overline{OE} low to enable the outputs. Drive \overline{OE} high to disable the outputs.
19	28	SCL_SNK	Serial Clock Line. I ² C clock line at 5V logic.
20	29	SDA_SNK	Serial Data Line. I ² C data line at 5V logic.
21	30	HPD_SNK	Hot-Plug Detection at +5V Logic
23	32	DDC_EN	DDC Link Enable
25	38	IN_D1-	Differential Input Port 1-
26	39	IN_D1+	Differential Input Port 1+
27	41	IN_D2-	Differential Input Port 2-
28	42	IN_D2+	Differential Input Port 2+
29	44	IN_D3-	Differential Input Port 3-
30	45	IN_D3+	Differential Input Port 3+
31	47	IN_D4-	Differential Input Port 4-
32	48	IN_D4+	Differential Input Port 4+
—	—	EP	Exposed Paddle. Connect EP to ground.

DisplayPort to DVI™/HDMI Level Shifter

Functional Diagram



Detailed Description

The MAX9406 high-speed, low-skew, quad differential input to CML translator is designed for high-speed signal conversion of the DP to HDMI technology. This device features ultra-low propagation delay of 350ps and channel-to-channel skew of less than 20ps. The MAX9406 supports typical data rates of 2Gbps.

The MAX9406 provides the level shift for HDMI's DDC and HPD, which converts the 5V single-ended logic to 3.3V single-ended logic.

High-Speed Signal Enables

\overline{OE} controls the power through the entire length of the four high-speed signal paths. Setting \overline{OE} low enables all of the high-speed signal paths. Setting \overline{OE} high disables all high-speed links and disconnects the internal biasing supply and brings the device to the low-power state. In the low-power state, however, the DDC and HPD ports are still functioning.

Display Data Channel (DDC)

The MAX9406 allows the translation between 5V and 3V of the lower speed DDC lines. Whenever one side is pulled to GND, the other side follows and vice versa. DDC_EN controls the gating to the DDC link. Setting DDC_EN high enables data to pass through the DDC, while setting DDC_EN low disables the DDC link.

Hot-Plug Detection (HPD)

The MAX9406 translates the HPD 5V logic into 3V logic.

Applications Information

DVI/HDMI Driver

The MAX9406 can be used as the driver for the HDMI signal on the motherboard. The MAX9406 CML output provides a > 400mV differential HDMI output and supports 3.3V pullup at the differential outputs. The level shifter boosts the differential signal from the graphics chip to the HDMI connector, located on the edge of the motherboard.

High-Speed Signal Line Enable/Disable

The MAX9406 allows use of the DDC lines independent of the state of the high-speed signal lines and the \overline{OE} pin. This allows communication through DDC without any high-speed signals.

Output Termination

Terminate CML outputs through 50Ω to VCC or use an equivalent Thevinin termination. Terminate both outputs and use identical terminations on each for the lowest output-to-output skew.

Power-Supply Bypassing

Adequate power-supply bypassing is necessary to maximize the performance and noise immunity. Bypass VCC to GND with high-frequency surface-mount 0.01μF ceramic capacitors as close to the device as possible. Use multiple bypass vias for connection to minimize inductance.

DisplayPort to DVI™/HDMI Level Shifter

Printed-Circuit Board (PCB) Traces

Input and output trace characteristics affect the performance of the MAX9406. Connect each of the inputs and outputs to a 50Ω characteristic impedance trace. Avoid discontinuities in differential impedance and maximize common-mode noise immunity by maintaining the distance between differential traces, avoiding sharp corners. Minimize the number of vias to prevent impedance discontinuities. Reduce reflections by maintaining the 50Ω characteristic impedance through connectors and across cables. Minimize skew by matching the electrical length of the traces.

Exposed Paddle

The thin QFN packages used for the MAX9406 have exposed paddles on the bottom. Connect the exposed paddle to ground using a landing pad large enough to accommodate the entire exposed paddle. Add vias from the exposed paddle's land area to a copper polygon on the other side of the PCB to provide lower thermal impedance from the MAX9406 to the ambient air.

Chip Information

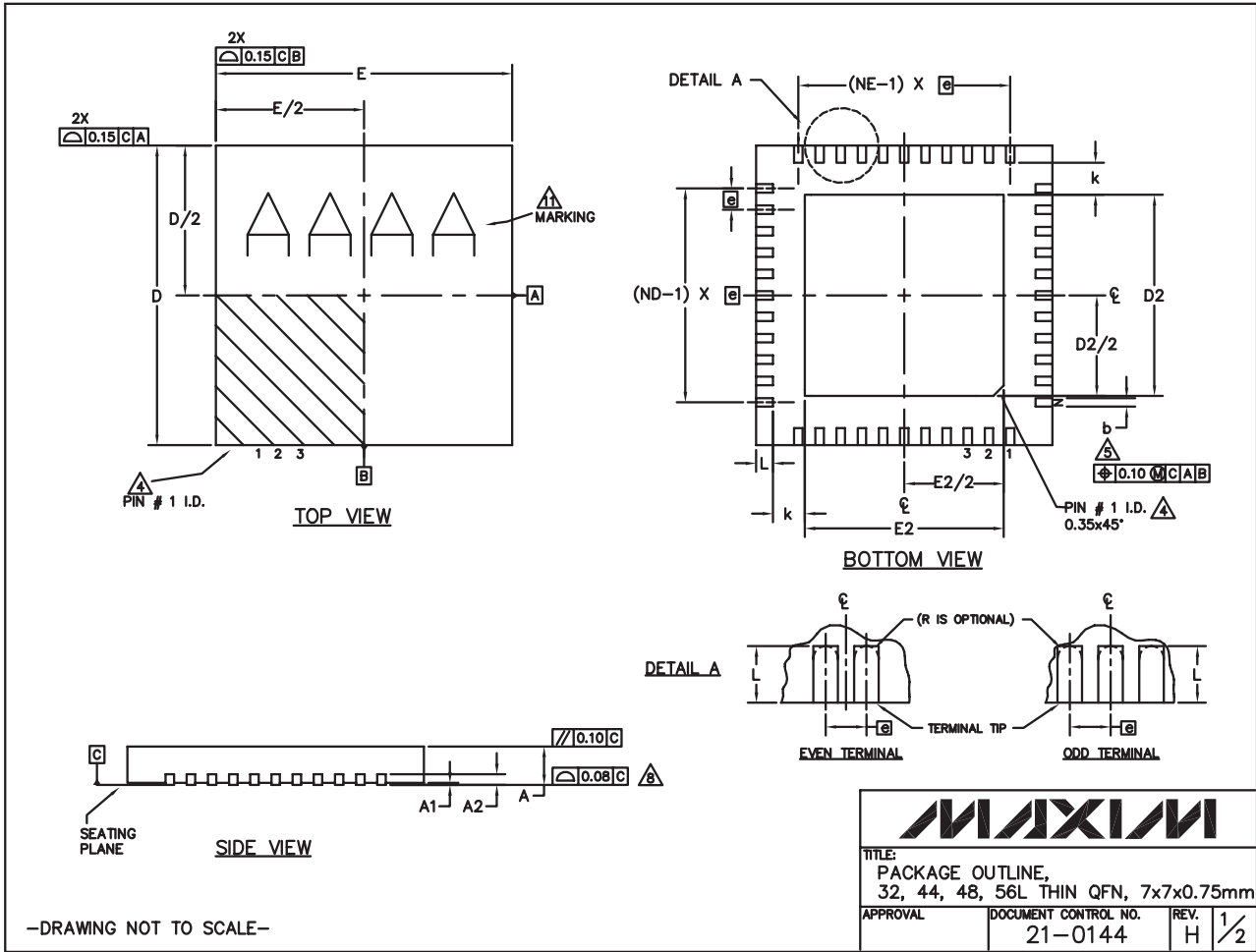
PROCESS: BiPolar

MAX9406

DisplayPort to DVI™/HDMI Level Shifter

Package Information

(The package drawing(s) in this data sheet may not reflect the most current specifications. For the latest package outline information go to www.maxim-ic.com/packages.)



32, 44, 48L QFN.EPS

DisplayPort to DVI™/HDMI Level Shifter

Package Information (continued)

(The package drawing(s) in this data sheet may not reflect the most current specifications. For the latest package outline information go to www.maxim-ic.com/packages.)

MAX9406


COMMON DIMENSIONS														EXPOSED PAD VARIATIONS										
PKG	32L 7x7			44L 7x7			48L 7x7			CUSTOM PKG. (T4877-1) 48L 7x7			56L 7x7			PKG. CODES	DEPOPULATED LEADS	D2			E2			JEDEC MO220 REV. C
	SYMBOL	MIN.	NOM.	MAX.	MIN.	NOM.	MAX.	MIN.	NOM.	MAX.	MIN.	NOM.	MAX.	MIN.	NOM.			MAX.	MIN.	NOM.	MAX.			
A	0.70	0.75	0.80	0.70	0.75	0.80	0.70	0.75	0.80	0.70	0.75	0.80	0.70	0.75	0.80	T3277-2	-	4.55	4.70	4.85	4.55	4.70	4.85	-
A1	0	0.02	0.05	0	0.02	0.05	0	0.02	0.05	0	0.02	0.05	0	0.02	0.05	T3277-3	-	4.55	4.70	4.85	4.55	4.70	4.85	-
A2	0.20 REF.			0.20 REF.			0.20 REF.			0.20 REF.			0.20 REF.			T4477-2	-	4.55	4.70	4.85	4.55	4.70	4.85	WKKD-1
b	0.25	0.30	0.35	0.20	0.25	0.30	0.20	0.25	0.30	0.20	0.25	0.30	0.15	0.20	0.25	T4477-3	-	4.55	4.70	4.85	4.55	4.70	4.85	WKKD-1
D	6.90	7.00	7.10	6.90	7.00	7.10	6.90	7.00	7.10	6.90	7.00	7.10	6.90	7.00	7.10	T4877-1**	13,24,37,48	4.20	4.30	4.40	4.20	4.30	4.40	-
E	6.90	7.00	7.10	6.90	7.00	7.10	6.90	7.00	7.10	6.90	7.00	7.10	6.90	7.00	7.10	T4877-3	-	4.95	5.10	5.25	4.95	5.10	5.25	-
e	0.65 BSC.			0.50 BSC.			0.50 BSC.			0.50 BSC.			0.40 BSC.			T4877-4	-	5.40	5.50	5.60	5.40	5.50	5.60	-
k	0.25	-	-	0.25	-	-	0.25	-	-	0.25	-	-	0.25	-	-	T4877-5	-	2.40	2.50	2.60	2.40	2.50	2.60	-
L	0.45	0.55	0.65	0.45	0.55	0.65	0.30	0.40	0.50	0.45	0.55	0.65	0.30	0.40	0.50	T4877-6	-	5.40	5.50	5.60	5.40	5.50	5.60	-
N	32			44			48			44			56			T4877-7	-	4.95	5.10	5.25	4.95	5.10	5.25	-
ND	8			11			12			10			14			T4877M-1	-	5.40	5.50	5.60	5.40	5.50	5.60	-
NE	8			11			12			12			14			T4877M-6	-	5.40	5.50	5.60	5.40	5.50	5.60	-
																T4877MN-8	-	5.40	5.50	5.60	5.40	5.50	5.60	-
																T4877N-8	-	5.40	5.50	5.60	5.40	5.50	5.60	-
																T5677-1	-	5.40	5.50	5.60	5.40	5.50	5.60	-
																T5677MN-1	-	5.40	5.50	5.60	5.40	5.50	5.60	-
																T5677-2	-	5.40	5.50	5.60	5.40	5.50	5.60	-

NOTES:

- DIMENSIONING & TOLERANCING CONFORM TO ASME Y14.5M-1994.
- ALL DIMENSIONS ARE IN MILLIMETERS. ANGLES ARE IN DEGREES.
- N IS THE TOTAL NUMBER OF TERMINALS.
- THE TERMINAL #1 IDENTIFIER AND TERMINAL NUMBERING CONVENTION SHALL CONFORM TO JESD 95-1 SPP-012. DETAILS OF TERMINAL #1 IDENTIFIER ARE OPTIONAL, BUT MUST BE LOCATED WITHIN THE ZONE INDICATED. THE TERMINAL #1 IDENTIFIER MAY BE EITHER A MOLD OR MARKED FEATURE.
- DIMENSION b APPLIES TO METALLIZED TERMINAL AND IS MEASURED BETWEEN 0.25 mm AND 0.30 mm FROM TERMINAL TIP.
- ND AND NE REFER TO THE NUMBER OF TERMINALS ON EACH D AND E SIDE RESPECTIVELY.
- DEPOPULATION IS POSSIBLE IN A SYMMETRICAL FASHION.
- COPLANARITY APPLIES TO THE EXPOSED HEAT SINK SLUG AS WELL AS THE TERMINALS.
- DRAWING CONFORMS TO JEDEC MO220 EXCEPT THE EXPOSED PAD DIMENSIONS OF T4877-1/-3/-4/-5/-6 & T5677-1.
- WARPAGE SHALL NOT EXCEED 0.10 mm.
- MARKING IS FOR PACKAGE ORIENTATION REFERENCE ONLY.
- NUMBER OF LEADS SHOWN ARE FOR REFERENCE ONLY.
- ALL DIMENSIONS APPLY TO BOTH LEADED (-) AND PbFREE (+) PKG. CODES.

** NOTE: T4877-1 IS A CUSTOM 48L PKG. WITH 4 LEADS DEPOPULATED. TOTAL NUMBER OF LEADS ARE 44.

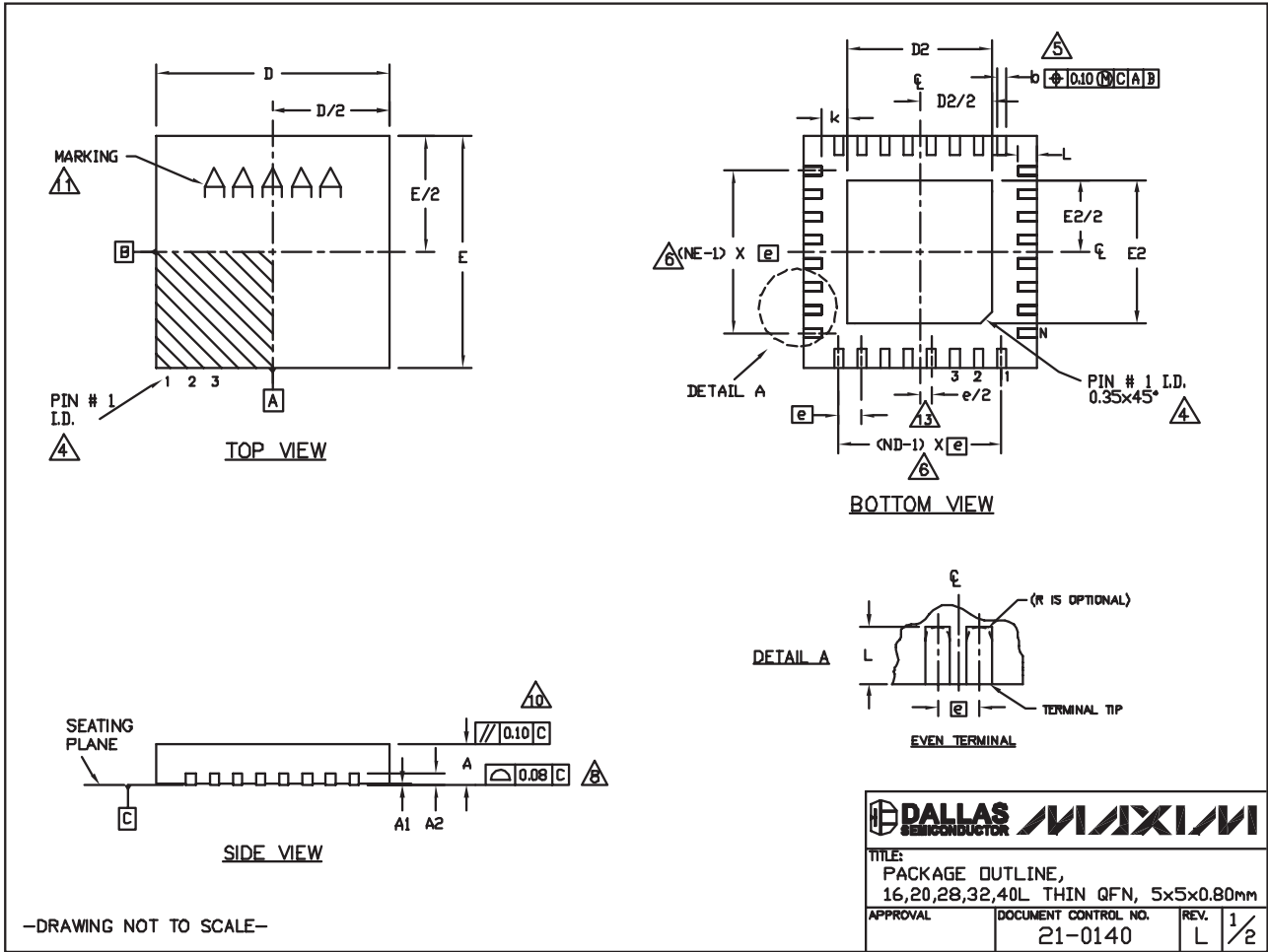
-DRAWING NOT TO SCALE-

		
TITLE: PACKAGE OUTLINE, 32, 44, 48, 56L THIN QFN, 7x7x0.75mm		
APPROVAL	DOCUMENT CONTROL NO. 21-0144	REV. H 2/2

DisplayPort to DVI™/HDMI Level Shifter

Package Information (continued)

(The package drawing(s) in this data sheet may not reflect the most current specifications. For the latest package outline information go to www.maxim-ic.com/packages.)



DisplayPort to DVI™/HDMI Level Shifter

MAX9406

Package Information (continued)

(The package drawing(s) in this data sheet may not reflect the most current specifications. For the latest package outline information go to www.maxim-ic.com/packages.)


COMMON DIMENSIONS															
PKG	16L 5x5			20L 5x5			28L 5x5			32L 5x5			40L 5x5		
SYMBOL	MIN.	NOM.	MAX.	MIN.	NOM.	MAX.	MIN.	NOM.	MAX.	MIN.	NOM.	MAX.	MIN.	NOM.	MAX.
A	0.70	0.75	0.80	0.70	0.75	0.80	0.70	0.75	0.80	0.70	0.75	0.80	0.70	0.75	0.80
A1	0	0.02	0.05	0	0.02	0.05	0	0.02	0.05	0	0.02	0.05	0	0.02	0.05
A2	0.20 REF.			0.20 REF.			0.20 REF.			0.20 REF.			0.20 REF.		
b	0.25	0.30	0.35	0.25	0.30	0.35	0.20	0.25	0.30	0.20	0.25	0.30	0.15	0.20	0.25
D	4.90	5.00	5.10	4.90	5.00	5.10	4.90	5.00	5.10	4.90	5.00	5.10	4.90	5.00	5.10
E	4.90	5.00	5.10	4.90	5.00	5.10	4.90	5.00	5.10	4.90	5.00	5.10	4.90	5.00	5.10
e	0.80 BSC.			0.65 BSC.			0.50 BSC.			0.50 BSC.			0.40 BSC.		
k	0.25	-	-	0.25	-	-	0.25	-	-	0.25	-	-	0.25	-	-
L	0.30	0.40	0.50	0.45	0.55	0.65	0.45	0.55	0.65	0.30	0.40	0.50	0.30	0.40	0.50
N	16			20			28			32			40		
ND	4			5			7			8			10		
NE	4			5			7			8			10		
JEDEC	WHHB			WHHC			WHHD-1			WHHD-2			-----		

EXPOSED PAD VARIATIONS						
PKG CODES	D2			E2		
	MIN.	NOM.	MAX.	MIN.	NOM.	MAX.
T1655-2	3.00	3.10	3.20	3.00	3.10	3.20
T1655-3	3.00	3.10	3.20	3.00	3.10	3.20
T1655N-1	3.00	3.10	3.20	3.00	3.10	3.20
T2055-3	3.00	3.10	3.20	3.00	3.10	3.20
T2055-4	3.00	3.10	3.20	3.00	3.10	3.20
T2055-5	3.15	3.25	3.35	3.15	3.25	3.35
T2055MN-5	3.15	3.25	3.35	3.15	3.25	3.35
T2855-3	3.15	3.25	3.35	3.15	3.25	3.35
T2855-4	2.60	2.70	2.80	2.60	2.70	2.80
T2855-5	2.60	2.70	2.80	2.60	2.70	2.80
T2855-6	3.15	3.25	3.35	3.15	3.25	3.35
T2855-7	2.60	2.70	2.80	2.60	2.70	2.80
T2855-8	3.15	3.25	3.35	3.15	3.25	3.35
T2855N-1	3.15	3.25	3.35	3.15	3.25	3.35
T3255-3	3.00	3.10	3.20	3.00	3.10	3.20
T3255-4	3.00	3.10	3.20	3.00	3.10	3.20
T3255M-4	3.00	3.10	3.20	3.00	3.10	3.20
T3255-5	3.00	3.10	3.20	3.00	3.10	3.20
T3255N-1	3.00	3.10	3.20	3.00	3.10	3.20
T4055-1	3.40	3.50	3.60	3.40	3.50	3.60
T4055-2	3.40	3.50	3.60	3.40	3.50	3.60
T4055MN-1	3.40	3.50	3.60	3.40	3.50	3.60

NOTES:

- DIMENSIONING & TOLERANCING CONFORM TO ASME Y14.5M-1994.
- ALL DIMENSIONS ARE IN MILLIMETERS. ANGLES ARE IN DEGREES.
- N IS THE TOTAL NUMBER OF TERMINALS.
- THE TERMINAL #1 IDENTIFIER AND TERMINAL NUMBERING CONVENTION SHALL CONFORM TO JEDEC 95-1 SPP-012. DETAILS OF TERMINAL #1 IDENTIFIER ARE OPTIONAL, BUT MUST BE LOCATED WITHIN THE ZONE INDICATED. THE TERMINAL #1 IDENTIFIER MAY BE EITHER A MOLD OR MARKED FEATURE.
- DIMENSION b APPLIES TO METALLIZED TERMINAL AND IS MEASURED BETWEEN 0.25 mm AND 0.30 mm FROM TERMINAL TIP.
- ND AND NE REFER TO THE NUMBER OF TERMINALS ON EACH D AND E SIDE RESPECTIVELY.
- DEPOPULATION IS POSSIBLE IN A SYMMETRICAL FASHION.
- COPLANARITY APPLIES TO THE EXPOSED HEAT SINK SLUG AS WELL AS THE TERMINALS.
- DRAWING CONFORMS TO JEDEC MO220, EXCEPT EXPOSED PAD DIMENSION FOR T2855-3, T2855-6, T4055-1 AND T4055-2.
- WARPAGE SHALL NOT EXCEED 0.10 mm.
- MARKING IS FOR PACKAGE ORIENTATION REFERENCE ONLY.
- NUMBER OF LEADS SHOWN ARE FOR REFERENCE ONLY.
- LEAD CENTERLINES TO BE AT TRUE POSITION AS DEFINED BY BASIC DIMENSION 'e', ±0.05.
- ALL DIMENSIONS APPLY TO BOTH LEADED AND PkgFREE PARTS.

—DRAWING NOT TO SCALE—

	
TITLE: PACKAGE OUTLINE, 16,20,28,32,40L THIN QFN, 5x5x0.80mm	
APPROVAL	DOCUMENT CONTROL NO. 21-0140
REV. L	2/2

Maxim cannot assume responsibility for use of any circuitry other than circuitry entirely embodied in a Maxim product. No circuit patent licenses are implied. Maxim reserves the right to change the circuitry and specifications without notice at any time.

Maxim Integrated Products, 120 San Gabriel Drive, Sunnyvale, CA 94086 408-737-7600 11



Стандарт Электрон Связь

Мы молодая и активно развивающаяся компания в области поставок электронных компонентов. Мы поставляем электронные компоненты отечественного и импортного производства напрямую от производителей и с крупнейших складов мира.

Благодаря сотрудничеству с мировыми поставщиками мы осуществляем комплексные и плановые поставки широчайшего спектра электронных компонентов.

Собственная эффективная логистика и склад в обеспечивает надежную поставку продукции в точно указанные сроки по всей России.

Мы осуществляем техническую поддержку нашим клиентам и предпродажную проверку качества продукции. На все поставляемые продукты мы предоставляем гарантию .

Осуществляем поставки продукции под контролем ВП МО РФ на предприятия военно-промышленного комплекса России , а также работаем в рамках 275 ФЗ с открытием отдельных счетов в уполномоченном банке. Система менеджмента качества компании соответствует требованиям ГОСТ ISO 9001.

Минимальные сроки поставки, гибкие цены, неограниченный ассортимент и индивидуальный подход к клиентам являются основой для выстраивания долгосрочного и эффективного сотрудничества с предприятиями радиоэлектронной промышленности, предприятиями ВПК и научно-исследовательскими институтами России.

С нами вы становитесь еще успешнее!

Наши контакты:

Телефон: +7 812 627 14 35

Электронная почта: sales@st-electron.ru

Адрес: 198099, Санкт-Петербург,
Промышленная ул, дом № 19, литера Н,
помещение 100-Н Офис 331