

Digilent PmodSSD™ Peripheral Module Board Reference Manual

Revision: March 6, 2007



www.digilentinc.com

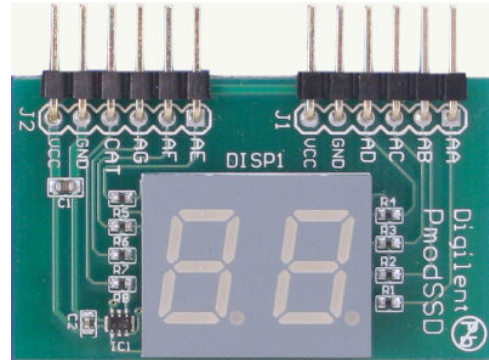
215 E Main Suite D | Pullman, WA 99163
(509) 334 6306 Voice and Fax

Overview

The PmodSSD offers a single two-digit seven-segment display device (7sd) that can attach directly to any Digilent system board. The 7sd uses high-bright LEDs that can be easily readable with less than 5mA of current, so they can be driven directly from most system boards.

Features include:

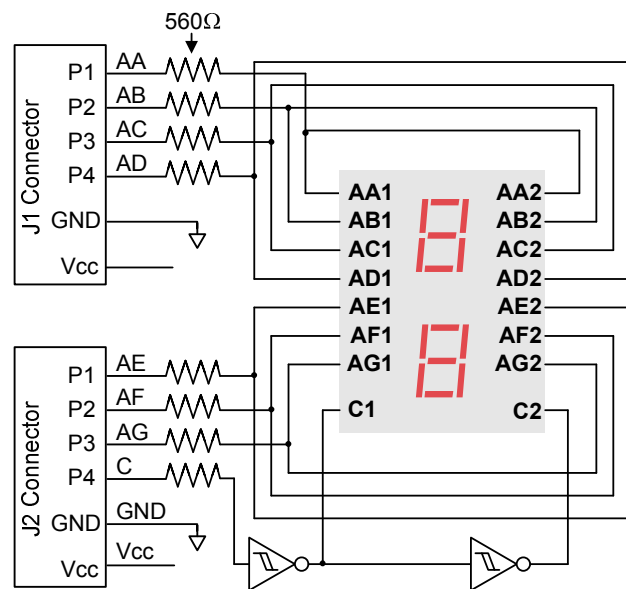
- two high bright seven-segment displays
- a 6-pin system connector
- small form factor (0.80" x 0.80").



Functional Description

The two digits on the common cathode seven-segment LED display are each composed of seven segments arranged in a “figure 8” pattern, with an LED embedded in each segment. Segment LEDs can be individually illuminated, so any one of 128 patterns can be displayed on a digit by illuminating certain LED segments and leaving the others dark. Of these 128 possible patterns, the ten corresponding to the decimal digits are the most useful.

The cathodes of the seven LEDs forming each digit are tied together into one “common cathode” circuit node, but the LED anodes remain separate. The common cathode signals are available as two “digit enable” input signals to the display. The anodes of similar segments on both digits are connected into seven circuit nodes that are available from the Pmod connector pins (so, for example, the two “D” anode signals from the two digits are connected to the P4 pin on J1). These seven anode signals are available as inputs to the 2-digit display. This signal connection scheme



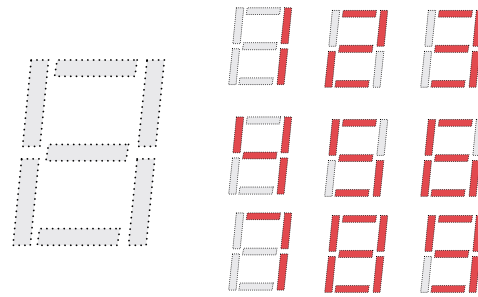
Seven-Segment Display Connection Diagram

creates a multiplexed display, where the anode signals are common to both digits but they can only illuminate the segments of the digit whose corresponding cathode signal is asserted.

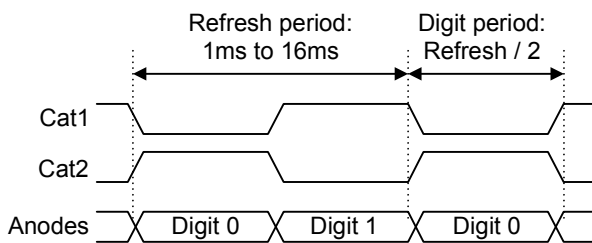
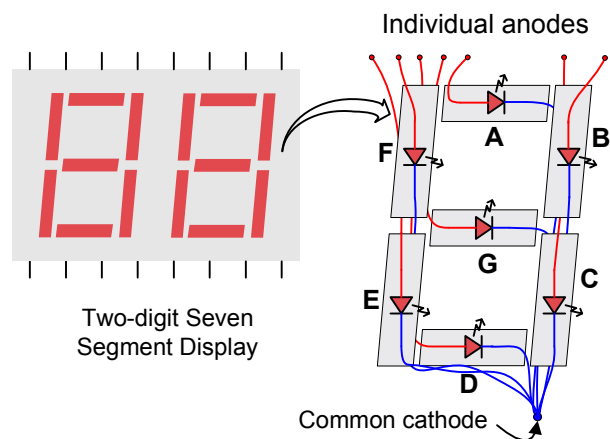
A scanning display controller circuit can be used to show a two-digit number on the display. This circuit drives the anode signals and corresponding cathode patterns of each

digit in a repeating, continuous succession, at an update rate that is faster than the human eye can respond. Each digit is illuminated one-half of the time, but because the eye cannot perceive the darkening of a digit before it is illuminated again, the digit appears continuously illuminated. If the update or “refresh” rate is slowed to a given point (around 45 hertz), then most people will begin to see the display flicker.

In order for each of the four digits to appear bright and continuously illuminated, both digits should be driven once every 1 to 16ms (for a refresh frequency of 1KHz to 60Hz). For example, in a 60Hz refresh scheme, the entire display would be refreshed once every 16ms, and each digit would be illuminated for 1/2 of the refresh cycle, or 8ms. The controller must assure that the correct anode pattern is present when the corresponding cathode signal is driven. To illustrate the process, if Cat1 is asserted while AB and AC are asserted, then a “1” will be displayed in digit position 1. Then, if Cat2 is asserted while AA, AB and AC are asserted, then a “7” will be displayed in digit position 2. If Cat1 and AB, AC are driven for 8ms, and then Cat2 and AA, AB, AC are driven for 8ms in an endless succession, the display will show “17”. An example timing diagram for a two-digit controller is shown below.



An un-illuminated seven-segment display, and nine illumination patterns corresponding to decimal digits





**Стандарт
Электрон
Связь**

Мы молодая и активно развивающаяся компания в области поставок электронных компонентов. Мы поставляем электронные компоненты отечественного и импортного производства напрямую от производителей и с крупнейших складов мира.

Благодаря сотрудничеству с мировыми поставщиками мы осуществляем комплексные и плановые поставки широчайшего спектра электронных компонентов.

Собственная эффективная логистика и склад в обеспечивает надежную поставку продукции в точно указанные сроки по всей России.

Мы осуществляем техническую поддержку нашим клиентам и предпродажную проверку качества продукции. На все поставляемые продукты мы предоставляем гарантию .

Осуществляем поставки продукции под контролем ВП МО РФ на предприятия военно-промышленного комплекса России , а также работаем в рамках 275 ФЗ с открытием отдельных счетов в уполномоченном банке. Система менеджмента качества компании соответствует требованиям ГОСТ ISO 9001.

Минимальные сроки поставки, гибкие цены, неограниченный ассортимент и индивидуальный подход к клиентам являются основой для выстраивания долгосрочного и эффективного сотрудничества с предприятиями радиоэлектронной промышленности, предприятиями ВПК и научно-исследовательскими институтами России.

С нами вы становитесь еще успешнее!

Наши контакты:

Телефон: +7 812 627 14 35

Электронная почта: sales@st-electron.ru

Адрес: 198099, Санкт-Петербург,
Промышленная ул, дом № 19, литера Н,
помещение 100-Н Офис 331