



Photocoupler

Product Data Sheet

6N135 / 6N136 series

Spec No.: DS70-2008-0032

Effective Date: 12/15/2009

Revision: -

LITE-ON DCC

RELEASE

BNS-OD-FC001/A4

6N135, 6N136 Single Channel, High Speed Optocouplers



Jan.2009



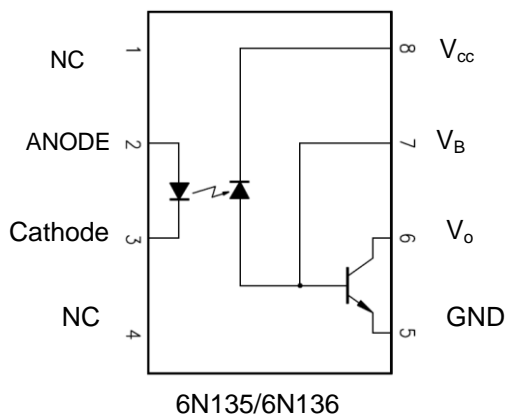
Description

The 6N135/6 consists of a high efficient AlGaAs Light Emitting Diode and a high speed optical detector. This design provides excellent AC and DC isolation between the input and output sides of the Optocoupler. Connection for the bias of the photodiode improves the speed that of a conventional phototransistor coupler by reducing the base-collector capacitances. The internal shield ensures high common mode transient immunity. A guaranteed common mode transient immunity is up to $1KV/\mu sec$.

Features

- High speed – 1MBd typical
- Available in Dual-in-line, Wide lead spacing, Surface mounting package.
- Storable output.
- UL, CSA approval

Functional Diagram



Truth Table (Positive Logic)

| LED | OUT |
|-----|-----|
| ON | L |
| OFF | H |

A 0.1 μ F bypass Capacitor must be connected between Pin8 and Pin5

Application

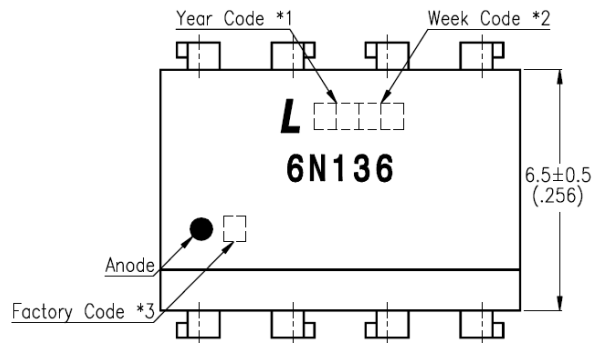
- High Voltage Isolation
- Isolation in line receivers
- Feedback element in switching mode power supplier
- Power transistor isolation in motor drives
- Interface between Microprocessor system, computer and their peripheral
- Replace pulse transformers.
- Replace slower optocoupler isolators.

Ordering Information

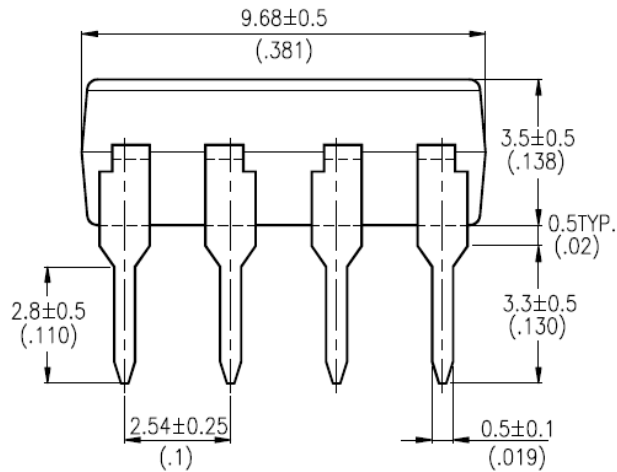
| Part | Option | Minimum CMR | | CTR | Remarks |
|-------|--------|-----------------------|------------------------|-----|-----------------------------------|
| | | dV/dt (V/ μ s) | V _{CM} (V) | | |
| 6N135 | M | 1000 | 10 | 7 | Single Channel, DIP-8 |
| | S | | | | Single Channel, Wide Lead Spacing |
| 6N136 | M | 1000 | 10 | 19 | Single Channel, SMD-8 |
| | S | | | | Single Channel, DIP-8 |
| | | | | | Single Channel, Wide Lead Spacing |
| | | | | | Single Channel, SMD-8 |

Package Dimensions

8-pin DIP Package (6N135 / 6N136)

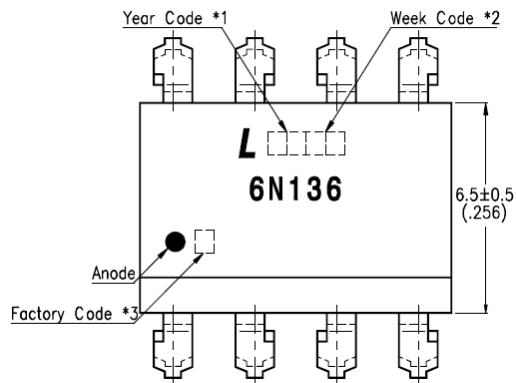


- *1. Year date code.
 - *2. 2-digit work week.
 - *3. Factory identification mark
(Z : Taiwan, Y : Thailand).
- Dimensions are in Millimeters and (Inches).



Package Dimensions

8-pin DIP Wide Lead Spacing Package (6N135M / 6N136M)



- *1. Year date code.
- *2. 2-digit work week.
- *3. Factory identification mark
(Z : Taiwan, Y : Thailand).

Dimensions are in Millimeters and (Inches).

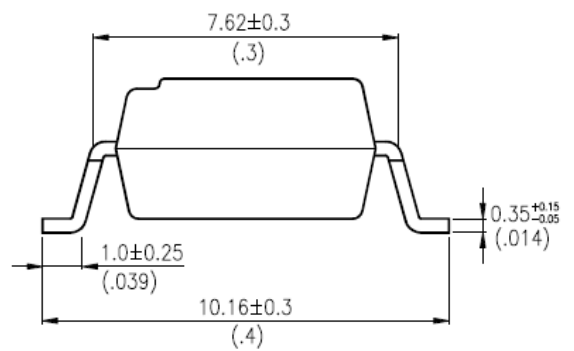
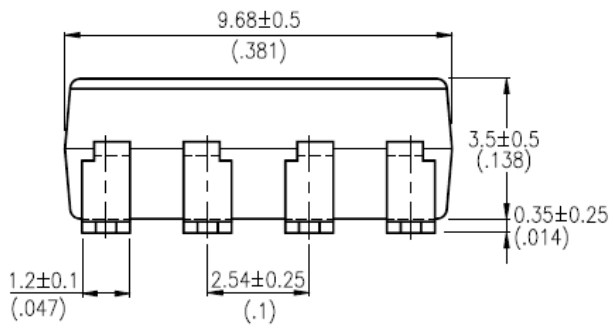


Package Dimensions

8-pin DIP Surface Mount Package (6N135S / 6N136S)



- *1. Year date code.
 - *2. 2-digit work week.
 - *3. Factory identification mark
(Z : Taiwan, Y : Thailand).
- Dimensions are in Millimeters and (Inches).



Taping Dimensions

6N135S/136S-TA



6N135S/136S-TA1



| Description | Symbol | Dimensions in millimeters (inches) |
|--|--------|--------------------------------------|
| Tape wide | W | 16 ± 0.3 (.63) |
| Pitch of sprocket holes | P0 | 4 ± 0.1 (.15) |
| Distance of compartment | F | 7.5 ± 0.1 (.295) |
| Distance of compartment to compartment | P1 | 2 ± 0.1 (.079) |

Recommended Lead Free Reflow Profile



Absolute Maximum Ratings*1

| Parameter | Symbol | Min | Max | Units | Note |
|------------------------------------|-----------|------|-----|-----------|------|
| Storage Temperature | T_{ST} | -55 | 125 | °C | |
| Operating Temperature | T_A | -40 | 85 | °C | |
| Isolation Voltage | V_{ISO} | 5000 | | V_{RMS} | |
| Supply Voltage | V_{CC} | | 15 | V | |
| Lead Solder Temperature * 2 | | | 260 | °C | 2 |
| Input | | | | | |
| Average Forward Input Current | I_F | | 25 | mA | |
| Reverse Input Voltage | V_R | | 5 | V | |
| Input Power Dissipation | P_I | | 45 | mW | |
| Output | | | | | |
| Output Collector Current | I_O | | 8 | mA | |
| Output Collector Voltage | V_O | -0.5 | 20 | V | |
| Output Collector Power Dissipation | P_O | | 100 | mW | |

1. Ambient temperature = 25°C, unless otherwise specified. Stresses exceeding the absolute maximum ratings can cause permanent damage to the device. Exposure to absolute maximum ratings for long periods of time can adversely affect reliability.

2. 260°C for 10 seconds. Refer to Lead Free Reflow Profile.

Electrical Specifications

| Parameters | Test Condition | Symbol | Device | Min | Typ | Max | Units |
|--|---|-----------|----------------|-----|------|-----|---------------|
| Input | | | | | | | |
| Input Forward Voltage | $I_F=16\text{mA}$, $T_A=25^\circ\text{C}$ | V_F | 6N135 | | 1.4 | 1.7 | V |
| Input Reverse Voltage | $I_R=10\mu\text{A}$ | BV_R | 6N136 | 5 | | | V |
| Detector | | | | | | | |
| Current transfer ratio | $I_F=16\text{mA}$; $V_{CC}=4.5\text{V}$; $T_A=25^\circ\text{C}$; $V_o=0.4\text{V}$ | CTR | 6N135 | 7 | 18 | 50 | % |
| | | | 6N136 | 19 | 24 | 50 | |
| Logic low output voltage output voltage | $I_F=16\text{mA}$; $V_{CC}=4.5\text{V}$; $I_o=1.1\text{mA}$; $T_A=25^\circ\text{C}$ | V_{OL} | 6N135 | | 0.18 | 0.4 | V |
| | $I_F=16\text{mA}$; $V_{CC}=4.5\text{V}$; $I_o=3\text{mA}$; $T_A=25^\circ\text{C}$ | | 6N136 | | 0.25 | 0.4 | |
| Logic high output current | $I_F=0\text{mA}$, $V_o=V_{CC}=5.5\text{V}$ $T_A=25^\circ\text{C}$ | I_{OH} | 6N135 | | | 0.5 | μA |
| | $I_F=0\text{mA}$, $V_o=V_{CC}=15\text{V}$ $T_A=25^\circ\text{C}$ | | 6N136 | | | 1 | |
| Logic low supply current | $I_F=16\text{mA}$, $V_o=\text{open}$ ($V_{CC}=15\text{V}$) | I_{ccl} | 6N135 6N136 | | 400 | | μA |
| Logic high supply current | $I_F=0\text{mA}$, $V_o=\text{open}$; $T_A=25^\circ\text{C}$ ($V_{CC}=15\text{V}$) | I_{cch} | 6N135 6N136 | | | 1 | μA |

*All Typical at $T_A=25^\circ\text{C}$

Property of Lite-on Only

Switching Specifications

$T_A=0\sim 70^{\circ}\text{C}$, $V_{CC}=5\text{V}$, unless otherwise specified.

| Parameter | Test Condition | Symbol | Device | Min | Typ | Max | Units |
|---|--|------------------|--------|-----|------|-----|-------------------------|
| Propagation Delay Time to Low Output Level | $T_A=25^{\circ}\text{C}$ ($R_L=4.1\text{K}\Omega$, $I_F=16\text{mA}$) | t_{PHL} | 6N135 | | 0.09 | 1.5 | μs |
| | $T_A=25^{\circ}\text{C}$ ($R_L=1.9\text{K}\Omega$, $I_F=16\text{mA}$) | | 6N136 | | 0.1 | 0.8 | μs |
| Propagation Delay Time to High Output Level | $T_A=25^{\circ}\text{C}$ ($R_L=4.1\text{K}\Omega$, $I_F=16\text{mA}$) | t_{PLH} | 6N135 | | 0.8 | 1.5 | μs |
| | $T_A=25^{\circ}\text{C}$ ($R_L=1.9\text{K}\Omega$, $I_F=16\text{mA}$) | | 6N136 | | 0.4 | 0.8 | μs |
| Logic High Common Mode Transient Immunity | $I_F=0\text{mA}$; $V_{\text{CM}}=10\text{Vp-p}$; $R_L=4.1\text{K}\Omega$; $T_A=25^{\circ}\text{C}$ | $ CM_H $ | 6N135 | 1 | | | $\text{KV}/\mu\text{s}$ |
| | $I_F=0\text{mA}$; $V_{\text{CM}}=10\text{Vp-p}$; $R_L=1.9\text{K}\Omega$; $T_A=25^{\circ}\text{C}$ | | 6N136 | 1 | | | $\text{KV}/\mu\text{s}$ |
| Logic Low Common Mode Transient Immunity | $I_F=0\text{mA}$; $V_{\text{CM}}=10\text{Vp-p}$; $R_L=4.1\text{K}\Omega$; $T_A=25^{\circ}\text{C}$ | $ CM_L $ | 6N135 | 1 | | | $\text{KV}/\mu\text{s}$ |
| | $I_F=0\text{mA}$; $V_{\text{CM}}=10\text{Vp-p}$; $R_L=1.9\text{K}\Omega$; $T_A=25^{\circ}\text{C}$ | | 6N136 | 1 | | | $\text{KV}/\mu\text{s}$ |

*All Typical at $T_A=25^{\circ}\text{C}$

Isolation Characteristics

| Parameter | Test Condition | Symbol | Min | Typ | Max | Units |
|---|--|-----------|------|-----------|-----|-----------|
| Input-Output Insulation Leakage Current | 45% RH, t = 5s, $V_{I-O} = 3kV$ DC, $T_A = 25^{\circ}C$ | I_{I-O} | | | 1.0 | μA |
| Withstand Insulation Test Voltage | $RH \leq 50\%$, t = 1min, $T_A = 25^{\circ}C$ | V_{ISO} | 5000 | | | V_{RMS} |
| Input-Output Resistance | $V_{I-O} = 500V$ DC | R_{I-O} | | 10^{12} | | Ω |

*All Typical at $T_A = 25^{\circ}C$

Notes

1. A $0.1\mu F$ or bigger bypass capacitor for V_{CC} is needed as shown in Fig.1
2. Current Transfer Ratio is defined as the ratio of output collector current I_o , to the forward LED input current I_F , times 100.
3. The $1.9K\Omega$ load represents 1TTL unit load of 1.6mA and the $5.6K\Omega$ pull-up resistor.
4. The $4.1K\Omega$ load represents 1LSTTL unit load of 0.36mA and the $6.1K\Omega$ pull-up resistor.

Switching Time Test Circuit



Figure 1: Single Channel Test Circuit for t_{PHL} and t_{PLH}

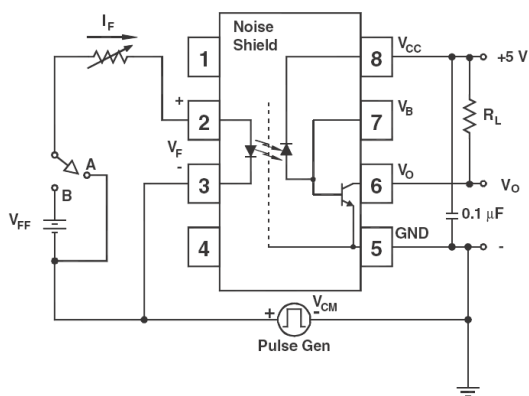


Figure 2: Single Channel Test Circuit for Common Mode Transient Immunity

Characteristics Curves

Figure 3: DC and pulsed transfer characteristics



Figure 6: Current transfer ratio vs. input

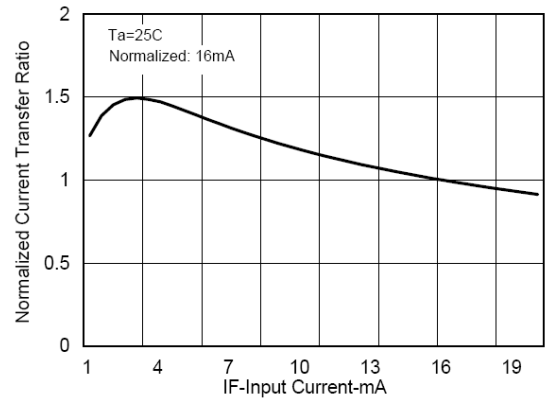


Figure 4: Input current vs. forward voltage



Figure 7: Current transfer ratio vs. temperature

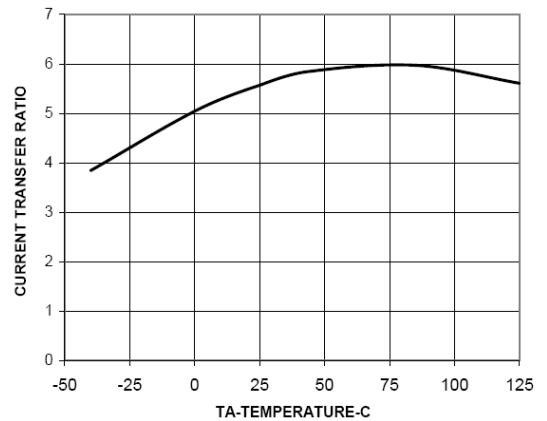
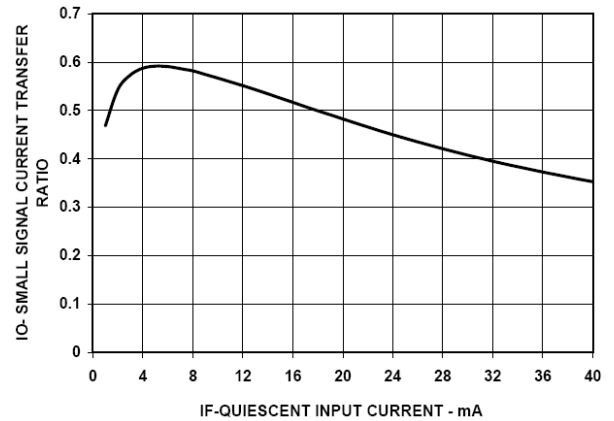


Figure 5: Logic high output current vs. temperature



Figure 8: Small-signal current transfer ratio vs. quiescent current



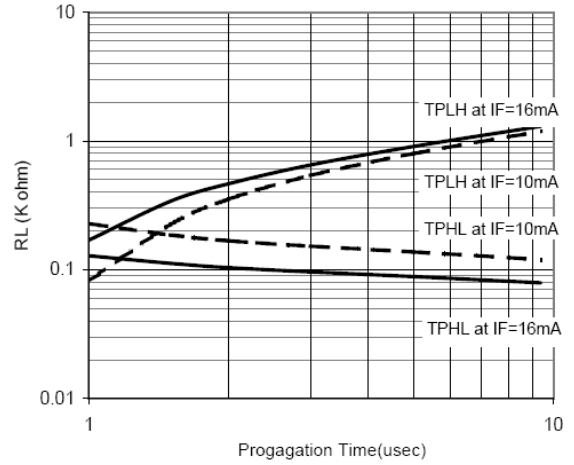
Property of Lite-on Only

Characteristics Curves

Figure 9: Propagation delay time vs. temperature



Figure 10: Propagation delay time vs. load resistance



Notice

Specifications of the products displayed herein are subject to change without notice.

The products shown in this publication are designed for the general use in electronic applications such as office automation equipment, communications devices, audio/visual equipment, electrical instrumentation and application. For equipment/devices where high reliability or safety is required, such as space applications, nuclear power control equipment, medical equipment, etc, please contact our sales representatives.

Mouser Electronics

Authorized Distributor

Click to View Pricing, Inventory, Delivery & Lifecycle Information:

[Lite-On:](#)

[6N135S-TA1](#) [6N135M](#) [6N135S](#) [6N136M](#) [6N136](#) [6N136S-TA1](#) [6N136S](#) [6N135](#)



Стандарт Электрон Связь

Мы молодая и активно развивающаяся компания в области поставок электронных компонентов. Мы поставляем электронные компоненты отечественного и импортного производства напрямую от производителей и с крупнейших складов мира.

Благодаря сотрудничеству с мировыми поставщиками мы осуществляем комплексные и плановые поставки широчайшего спектра электронных компонентов.

Собственная эффективная логистика и склад в обеспечивает надежную поставку продукции в точно указанные сроки по всей России.

Мы осуществляем техническую поддержку нашим клиентам и предпродажную проверку качества продукции. На все поставляемые продукты мы предоставляем гарантию .

Осуществляем поставки продукции под контролем ВП МО РФ на предприятия военно-промышленного комплекса России , а также работаем в рамках 275 ФЗ с открытием отдельных счетов в уполномоченном банке. Система менеджмента качества компании соответствует требованиям ГОСТ ISO 9001.

Минимальные сроки поставки, гибкие цены, неограниченный ассортимент и индивидуальный подход к клиентам являются основой для выстраивания долгосрочного и эффективного сотрудничества с предприятиями радиоэлектронной промышленности, предприятиями ВПК и научно-исследовательскими институтами России.

С нами вы становитесь еще успешнее!

Наши контакты:

Телефон: +7 812 627 14 35

Электронная почта: sales@st-electron.ru

Адрес: 198099, Санкт-Петербург,
Промышленная ул, дом № 19, литера Н,
помещение 100-Н Офис 331