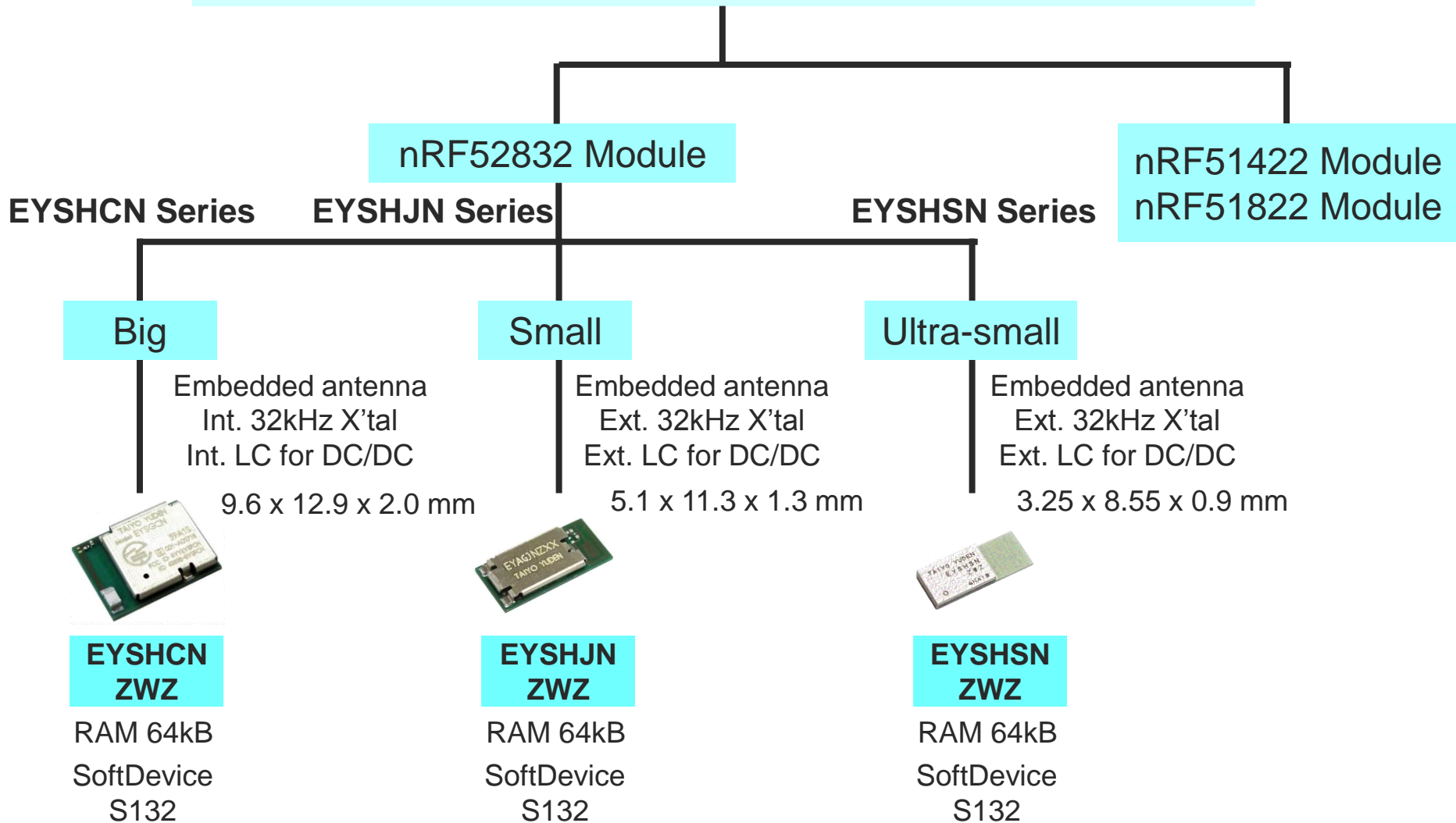


Wireless Module *Bluetooth[®] low energy* Module Overview

Sep. 25, 2017 Version 1.7

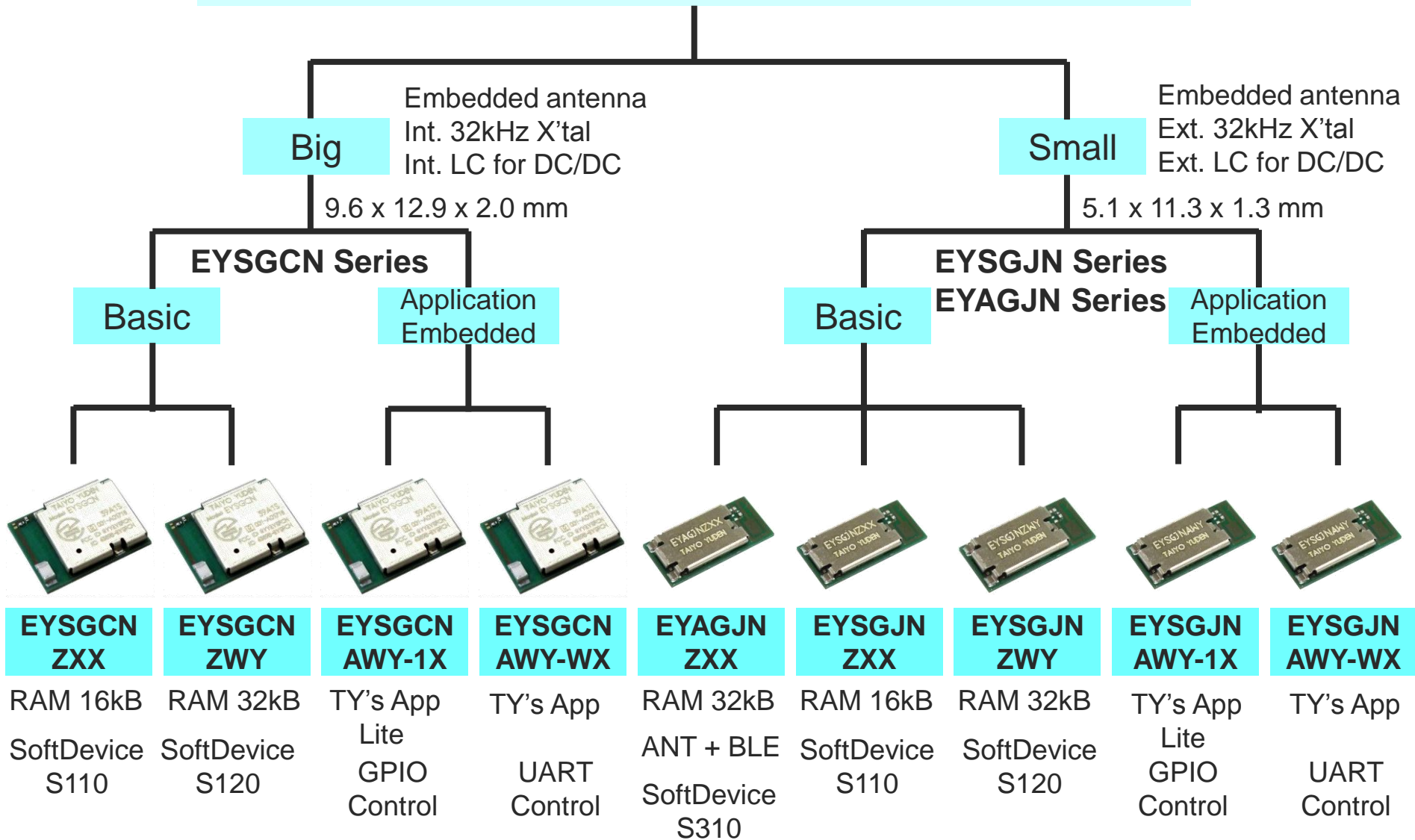
TAIYO YUDEN Bluetooth® low energy Module Line-Up

Taiyo Yuden Bluetooth® low energy Module



TAIYO YUDEN Bluetooth® low energy Module Line-Up

nRF51x22 Bluetooth® low energy Module



Latest Documents for Bluetooth® low energy Module

EYSHSNZWZ	http://www.yuden.co.jp/or/product/category/module/EYSHSNZWZ.html
EYSHCNZWZ	http://www.yuden.co.jp/or/product/category/module/EYSHCNZWZ.html
EYSHJNZWZ	http://www.yuden.co.jp/or/product/category/module/EYSHJNZWZ.html
EYSGCNZXX	http://www.yuden.co.jp/or/product/category/module/EYSGCNZXX.html
EYSGCNZWY	http://www.yuden.co.jp/or/product/category/module/EYSGCNZWY.html
EYSGJNZXX	http://www.yuden.co.jp/or/product/category/module/EYSGJNZXX.html
EYSGJNZWY	http://www.yuden.co.jp/or/product/category/module/EYSGJNZWY.html
EYAGJNZXX	http://www.yuden.co.jp/or/product/category/module/EYAGJNZXX.html
EYSGCNAWY-1X	http://www.yuden.co.jp/or/product/category/module/EYSGCNAWY-1X.html
EYSGJNAWY-1X	http://www.yuden.co.jp/or/product/category/module/EYSGJNAWY-1X.html
EYSGCNAWY-WX	http://www.yuden.co.jp/or/product/category/module/EYSGCNAWY-WX.html
EYSGJNAWY-WX	http://www.yuden.co.jp/or/product/category/module/EYSGJNAWY-WX.html
EYSHCNZXZ	http://www.yuden.co.jp/or/product/category/module/EYSHCNZXZ.html
EYSHJNZXZ	http://www.yuden.co.jp/or/product/category/module/EYSHJNZXZ.html
EYSFCNZXX	http://www.yuden.co.jp/or/product/category/module/EYSFCNZXX.html

-The documents for the evaluation board and evaluation kit are also available on the above page.

- The Japanese documents are available on the following page.

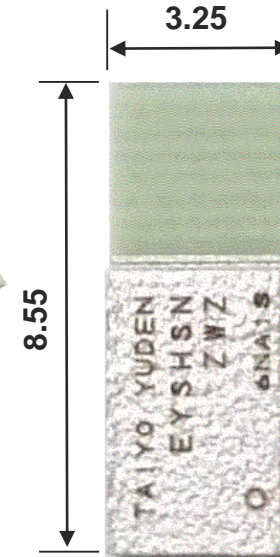
<http://www.yuden.co.jp/jp/product/category/module/lineup.html#Bluetooth>

2Mbps Bluetooth® 5.0 low energy Module: EYSHSNZWZ

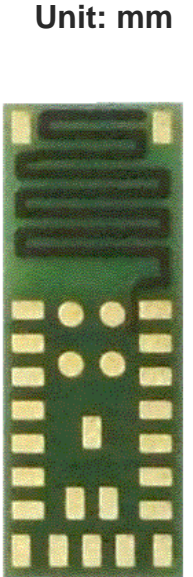
Features

- Frequency: 2402 to 2480 MHz with +4dBm Output power
- Single power supply: 1.7– 3.6V
- Single Mode Bluetooth low energy (ANT™ Available)
- Chip: **nRF52832** (Nordic) with Bluetooth low energy **2Mbps** mode
- Integrated System Clock
- ARM Cortex M4F** 32bit processor
- 512kB Flash and 64kB RAM**
- Interface: SPI, UART, I2C, I2S, PDM and 12bit ADC
- Support **NFC-A Type-2** for Touch-to-Pair
- Integrated high performance PCB antenna
- Outline: **3.25 x 8.55 x 0.9**mm MAX
- Operating Temperature range: -40 to 85 deg-C
- Bluetooth and Japan, FCC, IC qualified
- CE Conducted Test Report Available
- RoHS compliant / Complete Lead Free

Outline



Top View



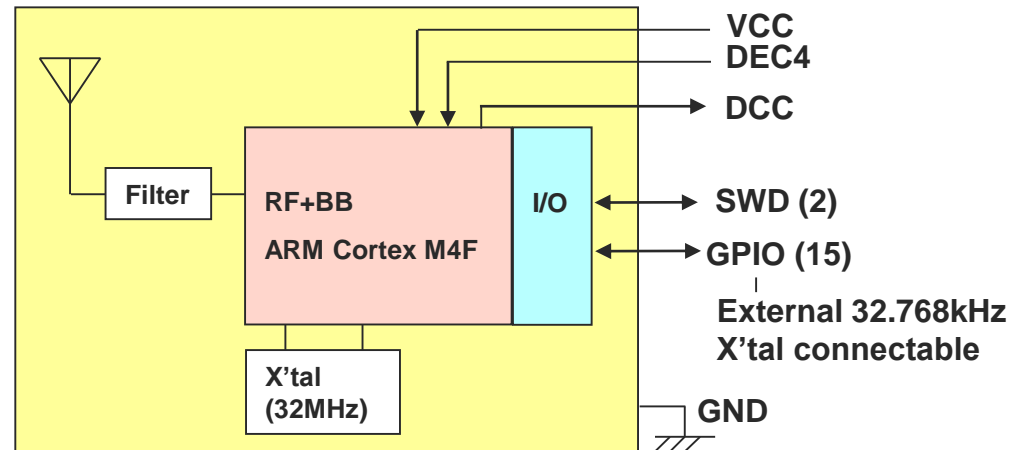
Bottom View

Unit: mm

Applications

- Smart wristband
- Smart glasses
- Remote control ring
- Smart pen
- Heart rate monitor
- pressure monitor
- Blood glucose meter
- Thermometer
- Mobile accessories

Block Diagram



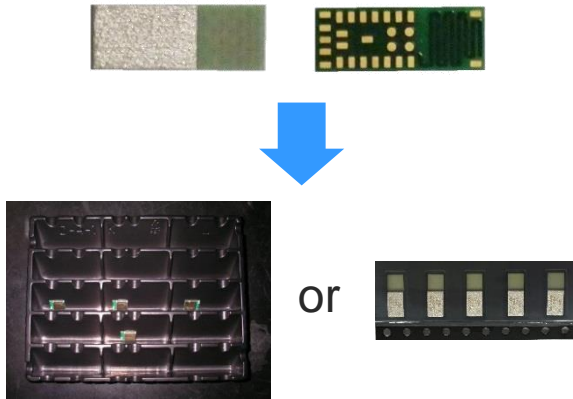
All specifications are subject to change without notice.

The *Bluetooth*® word mark and logos are owned by the *Bluetooth* SIG, Inc. and any use of such marks by TAIYO YUDEN CO., LTD. is under license.

Bluetooth® low energy Module Sample, Evaluation Board / Kit

EYSHSNZWZ (Module)

Module samples



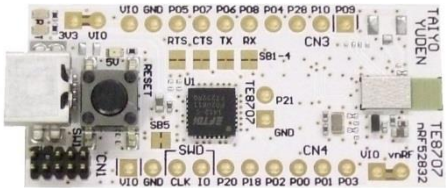
Tray

Tape



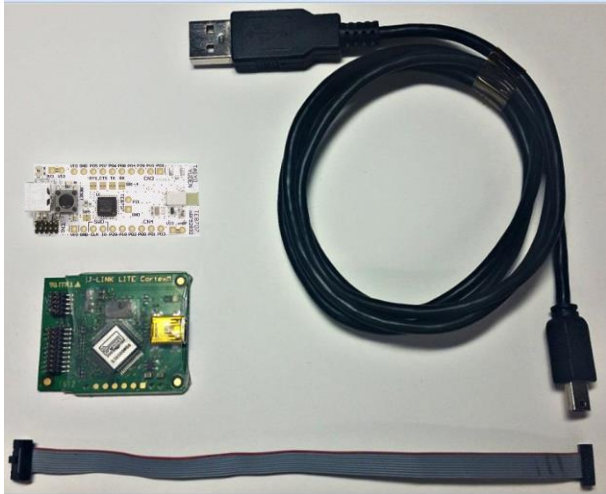
EBSHSNZWZ (EV-B)

Evaluation board



EKSHSNZWZ (EV-K)

Evaluation kit



2Mbps Bluetooth® 5.0 low energy Module: EYSHCNZWZ

Features

- Frequency: 2402 to 2480 MHz with +4dBm Output power
- Single power supply: 1.7 – 3.6V
- Single Mode Bluetooth low energy Slave/Master (ANT™ Available)
- Chip: nRF52832 (Nordic) with Bluetooth low energy 2Mbps mode
- Integrated System/Sleep Clock, LC for DC/DC
- Integrated high performance ceramic chip antenna
- ARM Cortex M4F 32bit processor
- 512kB Flash and 64kB RAM
- Interface: SPI, UART, I2C, I2S, PDM and 12bit ADC
- Support NFC-A Type-2 for Touch-to-Pair
- Outline: 9.6 x 12.9 x 2.0 mm with 1mm pad pitch
- Operating Temperature range: -40 to 85 deg-C
- Bluetooth and Japan, FCC, IC qualified
- CE Conducted Test Report Available
- RoHS compliant / Complete Lead Free

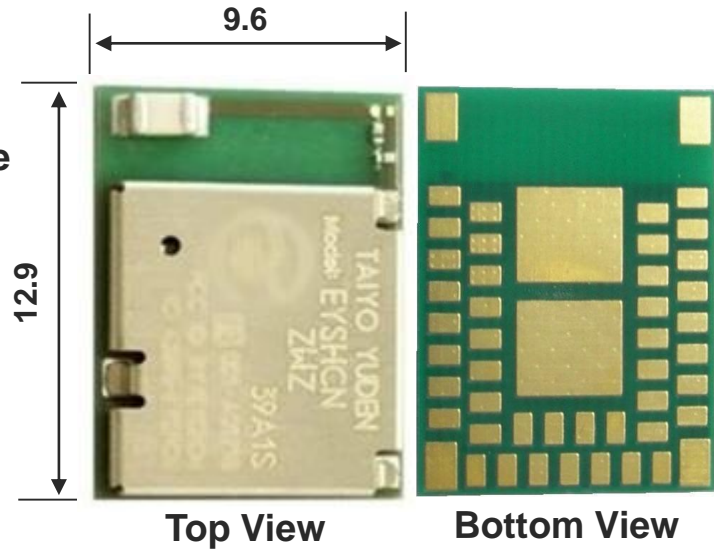
Applications

- Cycle computer
- Heart rate monitor
- Blood pressure monitor
- Blood glucose meter
- Weighing machine
- Thermometer
- Mobile accessories
- Sports and fitness sensors
- Remote controllers / Toys

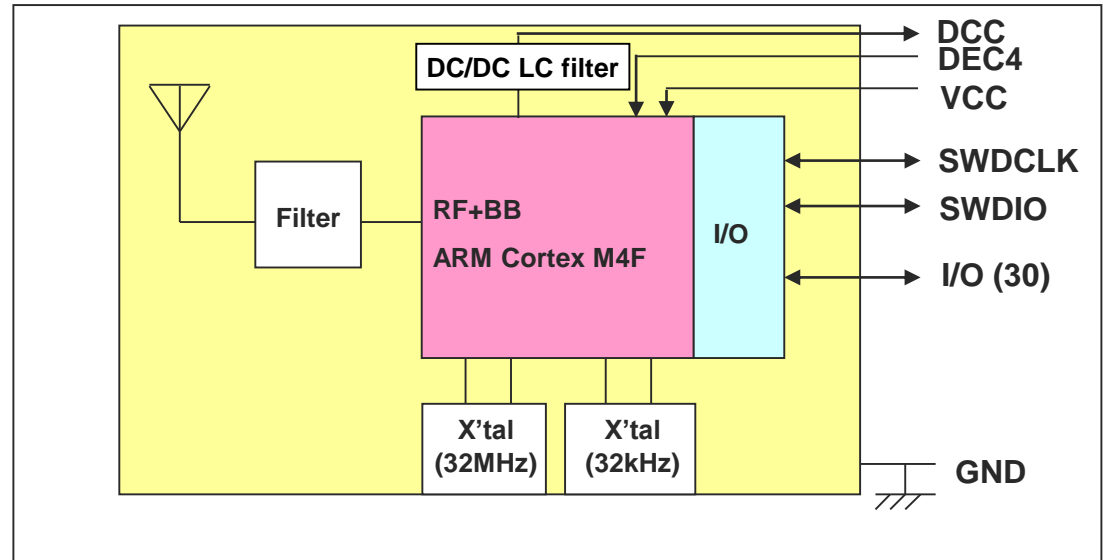
All specifications are subject to change without notice.

The Bluetooth® word mark and logos are owned by the Bluetooth SIG, Inc. and any use of such marks by TAIYO YUDEN CO., LTD. is under license.

Outline



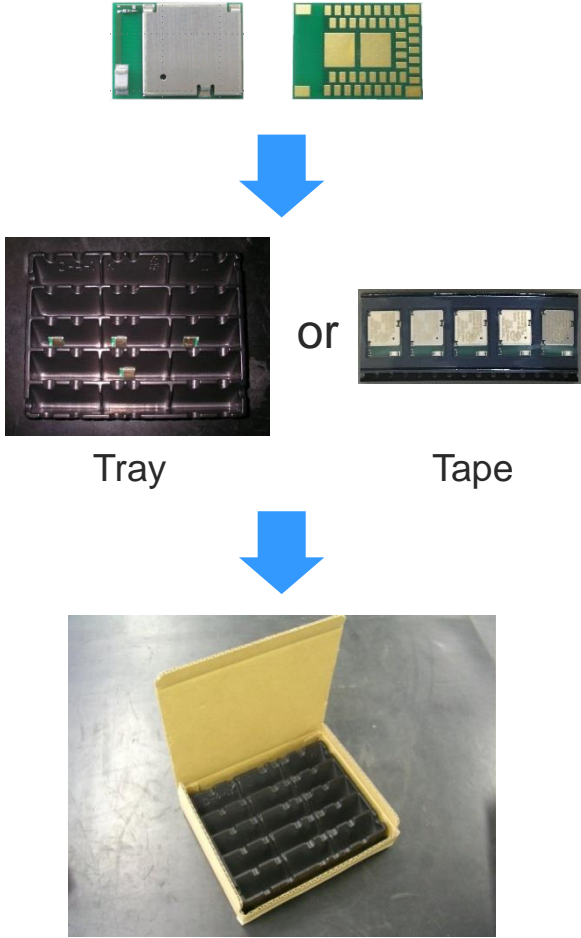
Block Diagram



Bluetooth® low energy Module Sample, Evaluation Board / Kit

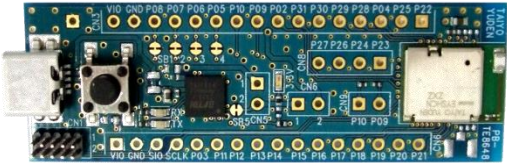
EYSHCNZWZ (Module)

Module samples



EBSHCNZWZ (EV-B)

Evaluation board



EKSHCNZWZ (EV-K)

Evaluation kit



2Mbps Bluetooth® 5.0 low energy Module: EYSHJNZWZ

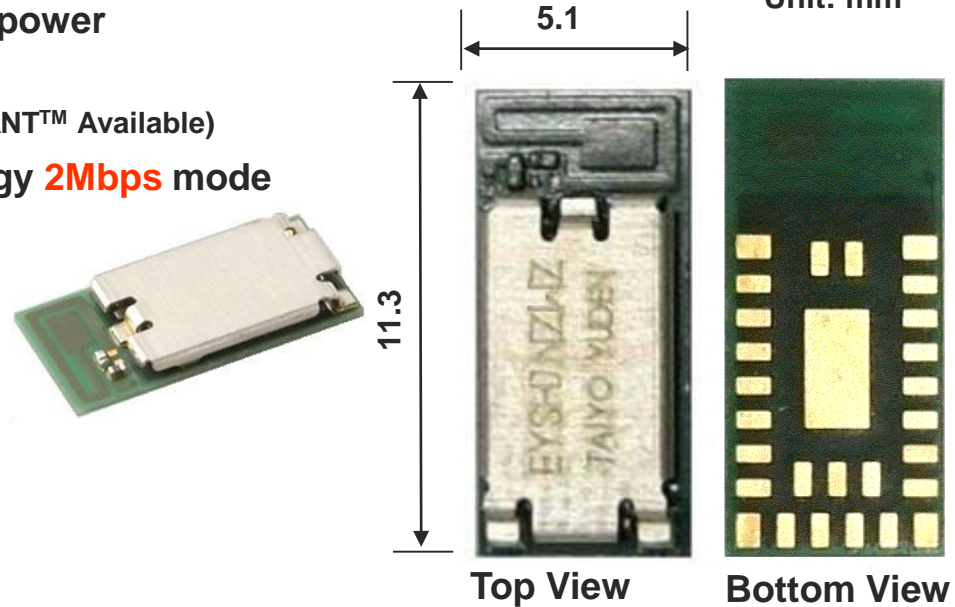
Features

- Frequency: 2402 to 2480 MHz with +4dBm Output power
- Single power supply: 1.7– 3.6V
- Single Mode Bluetooth low energy Slave/Master (ANT™ Available)
- Chip: **nRF52832** (Nordic) with Bluetooth low energy **2Mbps** mode
- Integrated System Clock
- ARM Cortex M4F** 32bit processor
- 512kB Flash and 64kB RAM**
- Interface: SPI, UART, I2C, I2S, PDM and 12bit ADC
- Support **NFC-A Type-2** for Touch-to-Pair
- Integrated high performance pattern antenna
- Outline: **5.1 x 11.3 x 1.3**mm MAX
- Operating Temperature range: -40 to 85 deg-C
- Bluetooth and Japan, FCC, IC qualified
- CE Conducted Test Report Available
- RoHS compliant / Complete Lead Free

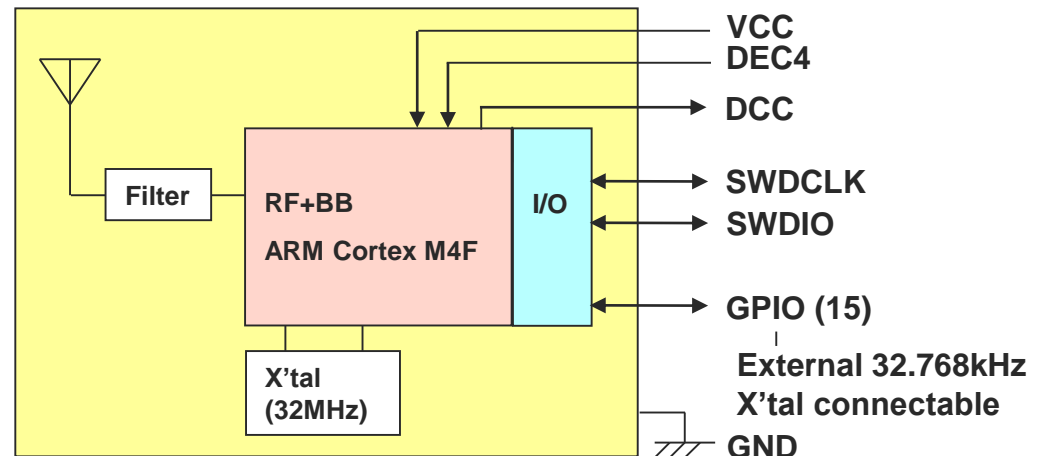
Applications

- Cycle computer
- Heart rate monitor
- Blood pressure monitor
- Blood glucose meter
- Weighing machine
- Thermometer
- Mobile accessories
- Sports and fitness sensors
- Remote controllers / Toys

Outline



Block Diagram



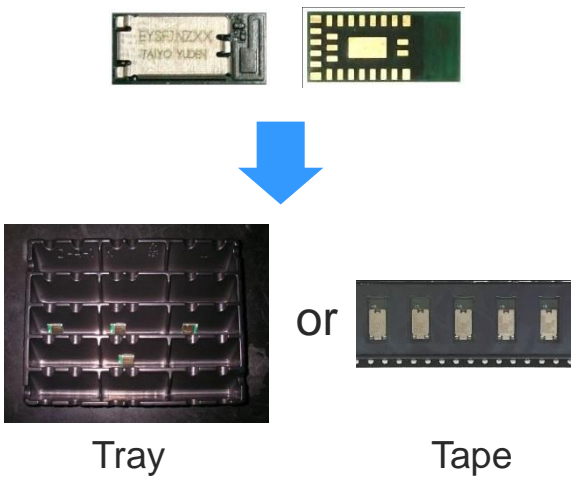
All specifications are subject to change without notice.

The Bluetooth® word mark and logos are owned by the Bluetooth SIG, Inc. and any use of such marks by TAIYO YUDEN CO., LTD. is under license.

Bluetooth® low energy Module Sample, Evaluation Board / Kit

EYSHJNZWZ (Module)

Module samples



EBSHJNZWZ (EV-B)

Evaluation board



EKSHJNZWZ (EV-K)

Evaluation kit



Bluetooth® low energy Module: **EYSGCNZXX**

Features

- Frequency: 2402 to 2480 MHz
- Output power: +4dBm typ.
- Single power supply: 1.8 – 3.6V
- Single Mode Bluetooth low energy Slave
- Chip: nRF51822 **Rev.3** (Nordic)
- Integrated System/Sleep Clock
- Integrated high performance ceramic chip antenna
- ARM Cortex M0** 32bit processor
- 256kB Flash** and **16kB RAM**
- Interface: SPI, UART, I2C and 8/9/10bit ADC
- Outline: **9.6 x 12.9 x 2.0** mm with **1mm** pad pitch
- Operating Temperature range: -40 to 85 deg-C**
- Bluetooth and Japan, FCC, IC qualified
- CE Conducted Test Report Available
- RoHS compliant / Complete Lead Free

Applications

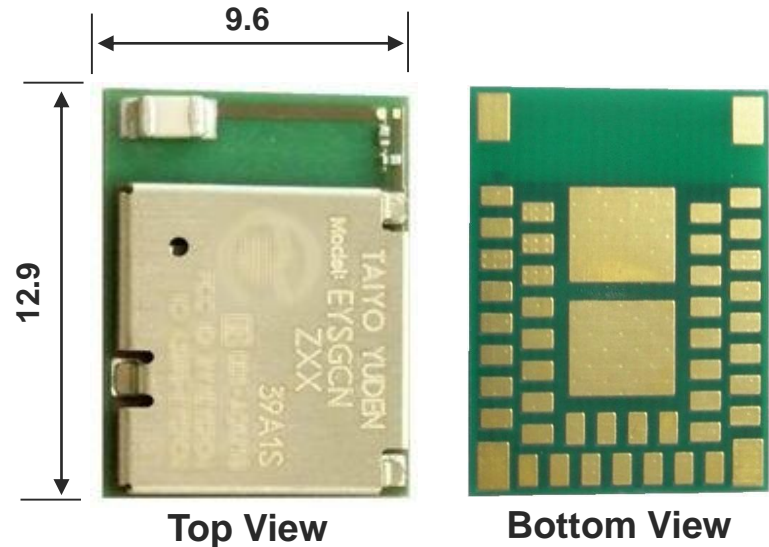
- Cycle computer
- Heart rate monitor
- Blood pressure monitor
- Blood glucose meter
- Weighing machine
- Thermometer
- Mobile accessories
- Sports and fitness sensors
- Remote controllers / Toys

All specifications are subject to change without notice.

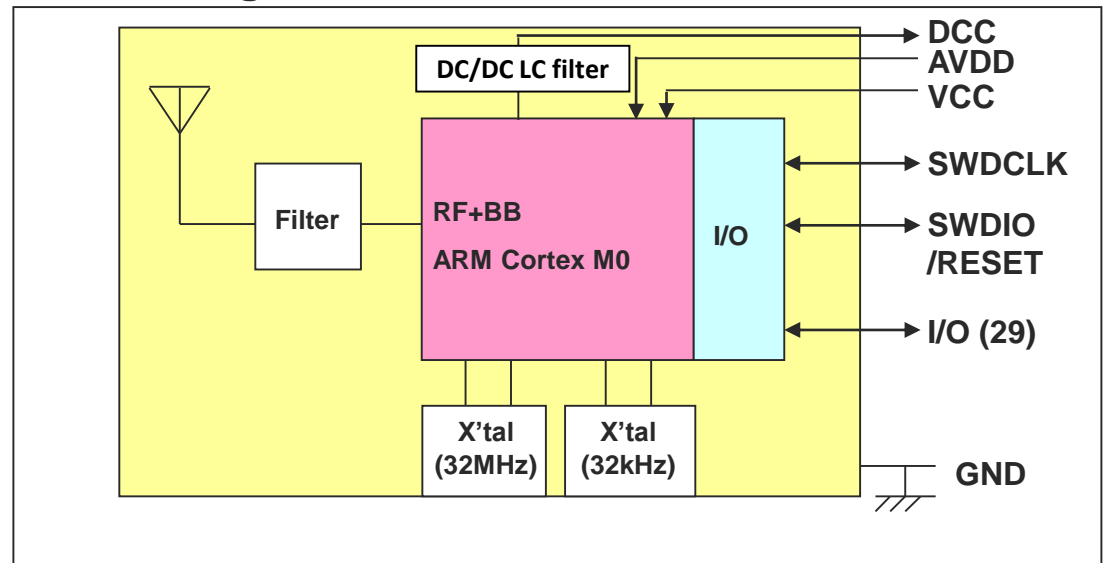
The *Bluetooth*® word mark and logos are owned by the *Bluetooth* SIG, Inc. and any use of such marks by TAIYO YUDEN CO., LTD. is under license.

Outline

Unit: mm



Block Diagram



Bluetooth® low energy Module: **EYSGCNZWY**

Features

- Frequency: 2402 to 2480 MHz
- Output power: +4dBm typ.
- Single power supply: 1.8 – 3.6V
- Single Mode Bluetooth low energy **Slave / Master**
- Chip: nRF51822 **Rev.3** (Nordic)
- Integrated System/**Sleep Clock**
- Integrated high performance ceramic chip antenna
- ARM Cortex M0** 32bit processor
- 256kB Flash** and **32kB RAM**
- Interface: SPI, UART, I2C and 8/9/10bit ADC
- Outline: **9.6 x 12.9 x 2.0** mm with **1mm** pad pitch
- Operating Temperature range: -25 to 85 deg-C**
- Bluetooth and Japan, FCC, IC qualified
- CE Conducted Test Report Available
- RoHS compliant / Complete Lead Free

Applications

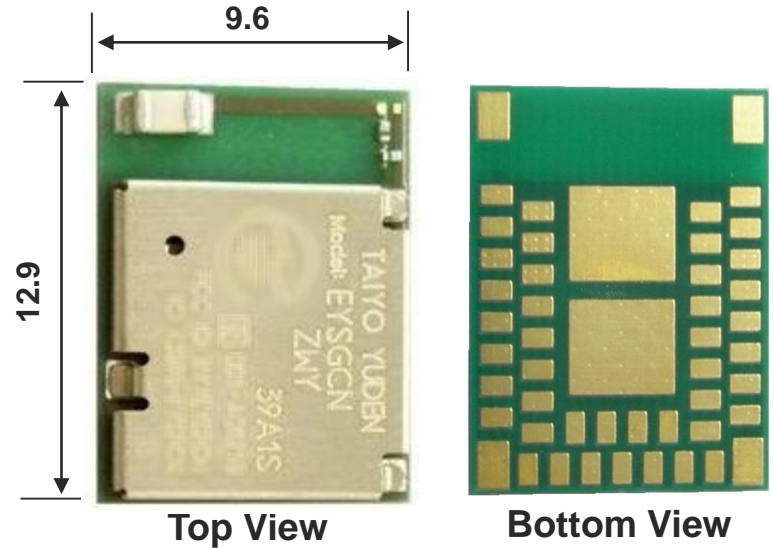
- Cycle computer
- Heart rate monitor
- Blood pressure monitor
- Blood glucose meter
- Weighing machine
- Thermometer
- Mobile accessories
- Sports and fitness sensors
- Remote controllers / Toys

All specifications are subject to change without notice.

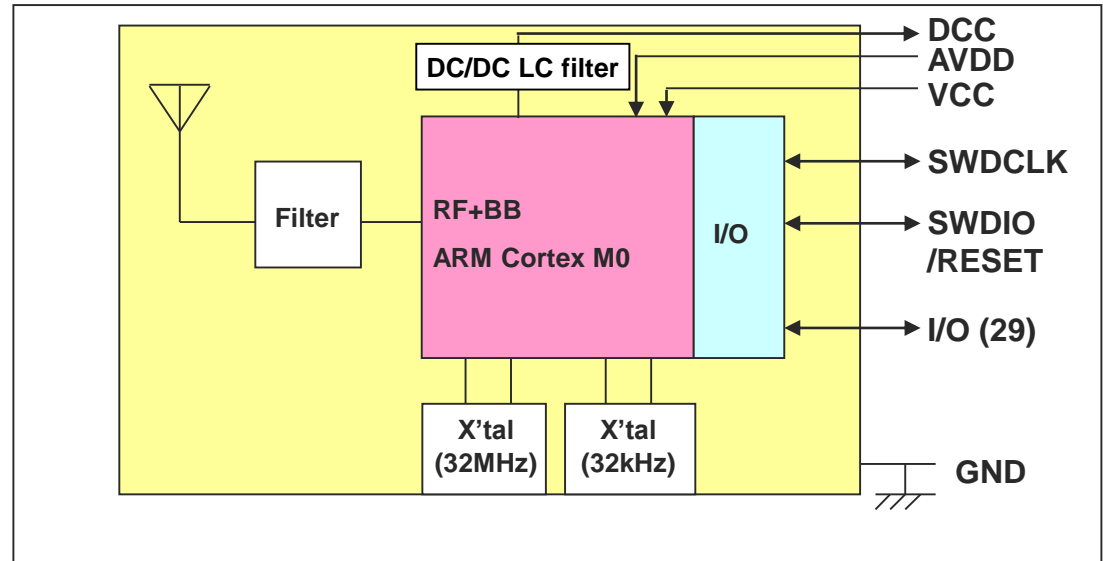
The *Bluetooth*® word mark and logos are owned by the *Bluetooth* SIG, Inc. and any use of such marks by TAIYO YUDEN CO., LTD. is under license.

Outline

Unit: mm



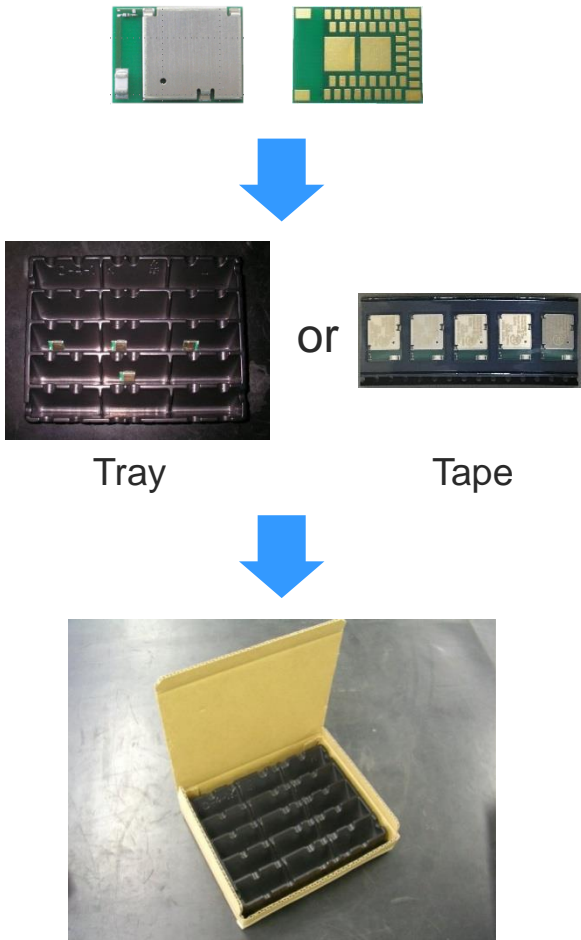
Block Diagram



Bluetooth® low energy Module Sample, Evaluation Board / Kit

EYSGCNZXX, EYSGCNZWY (Module)

Module samples



EBSGCMZWY (EV-B)

Evaluation board



EKSGCMZWY (EV-K)

Evaluation kit



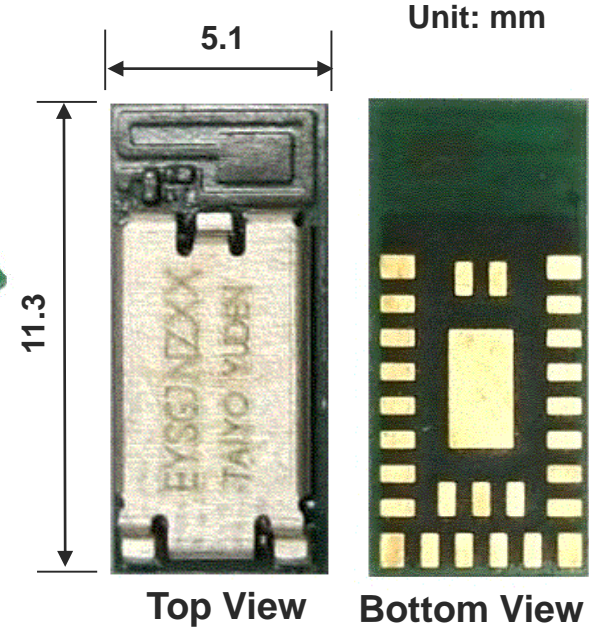
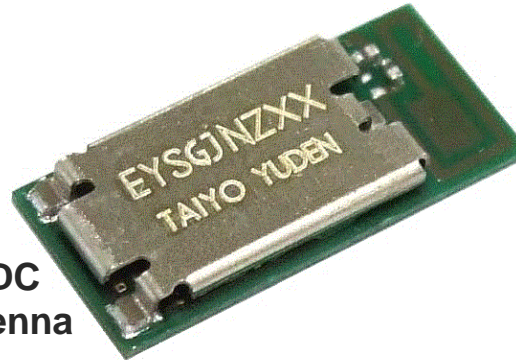
**SEGGER
J-Link LITE
Attached**

Bluetooth® low energy Module **EYSGJNZXX**

Features

- Frequency: 2402 to 2480 MHz
- Output power: +4dBm typ.
- Single power supply: 1.8 – 3.6V
- Single Mode Bluetooth low energy Slave
- Chip: nRF51822 **Rev.3** (Nordic)
- Integrated System Clock
- ARM Cortex M0** 32bit processor
- 256kB Flash** and **16kB RAM**
- Interface: SPI, UART, I2C and 8/9/10bit ADC
- Integrated high performance pattern antenna
- Outline: **5.1 x 11.3 x 1.3mm** MAX
- Operating Temperature range: -40 to 85 deg-C**
- Bluetooth and Japan, FCC, IC qualified
- CE Conducted Test Report Available
- RoHS compliant / Complete Lead Free

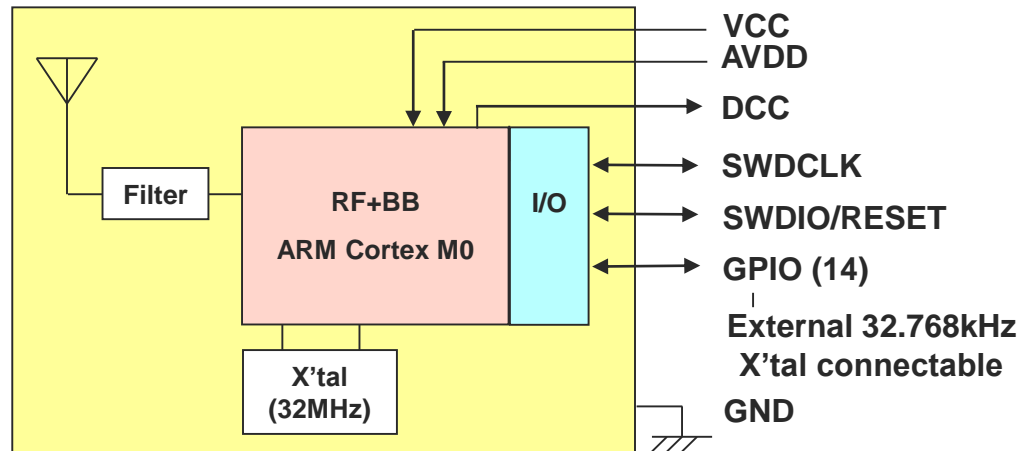
Outline



Applications

- Cycle computer
- Heart rate monitor
- Blood pressure monitor
- Blood glucose meter
- Weighing machine
- Thermometer
- Mobile accessories
- Sports and fitness sensors
- Remote controllers / Toys

Block Diagram



All specifications are subject to change without notice.

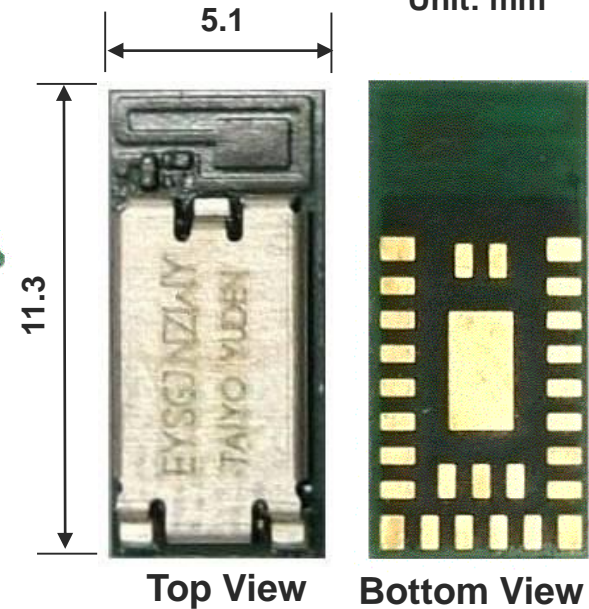
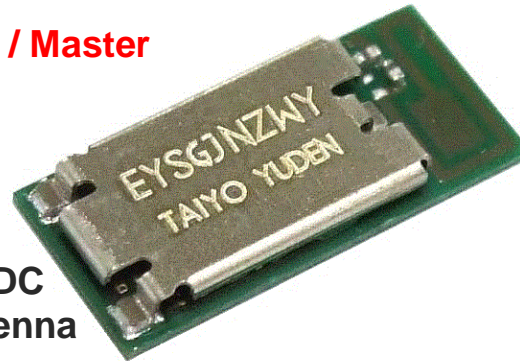
The Bluetooth® word mark and logos are owned by the Bluetooth SIG, Inc. and any use of such marks by TAIYO YUDEN CO., LTD. is under license.

Bluetooth® low energy Module **EYSGJNZWY**

Features

- Frequency: 2402 to 2480 MHz
- Output power: +4dBm typ.
- Single power supply: 1.8 – 3.6V
- Single Mode Bluetooth low energy **Slave / Master**
- Chip: nRF51822 **Rev3** (Nordic)
- Integrated System Clock
- ARM Cortex M0** 32bit processor
- 256kB Flash** and **32kB RAM**
- Interface: SPI, UART, I2C and 8/9/10bit ADC
- Integrated high performance pattern antenna
- Outline: **5.1 x 11.3 x 1.3mm** MAX
- Operating Temperature range: -25 to 85 deg-C**
- Bluetooth and Japan, FCC, IC qualified
- CE Conducted Test Report Available
- RoHS compliant / Complete Lead Free

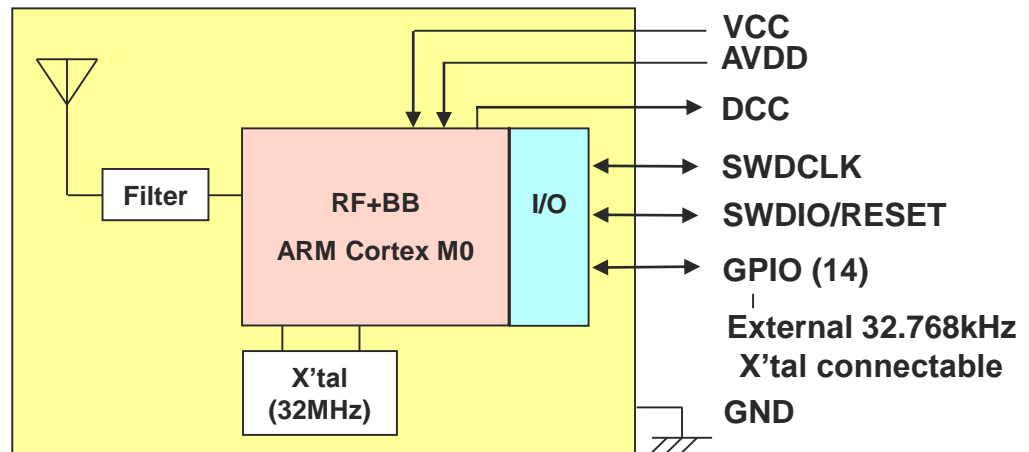
Outline



Applications

- Cycle computer
- Heart rate monitor
- Blood pressure monitor
- Blood glucose meter
- Weighing machine
- Thermometer
- Mobile accessories
- Sports and fitness sensors
- Remote controllers / Toys

Block Diagram



All specifications are subject to change without notice.

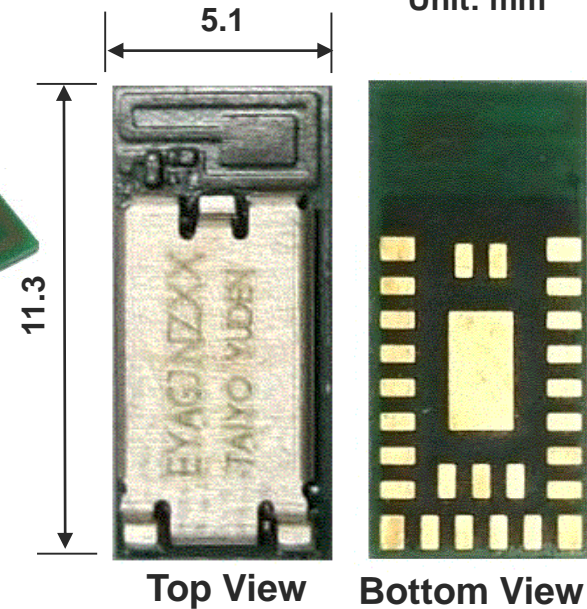
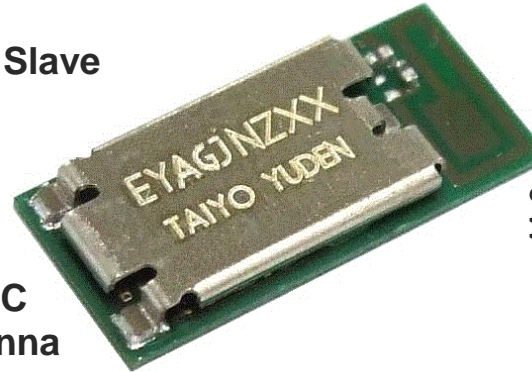
The *Bluetooth*® word mark and logos are owned by the *Bluetooth* SIG, Inc. and any use of such marks by TAIYO YUDEN CO., LTD. is under license.

ANT + Bluetooth® low energy Module **EYAGJNZXX**

Features

- Frequency: 2402 to 2480 MHz
- Output power: +4dBm typ.
- Single power supply: 1.8 – 3.6V
- ANT** + Single Mode Bluetooth low energy Slave
- Chip: **nRF51422 Rev 3** (Nordic)
- Integrated System Clock
- ARM Cortex M0** 32bit processor
- 256kB Flash and 32kB RAM**
- Interface: SPI, UART, I2C and 8/9/10bit ADC
- Integrated high performance pattern antenna
- Outline: **5.1 x 11.3 x 1.3mm** MAX
- Operating Temperature range: -25 to 85 deg-C**
- Bluetooth and Japan, FCC, IC qualified
- CE Conducted Test Report Available
- RoHS compliant / Complete Lead Free

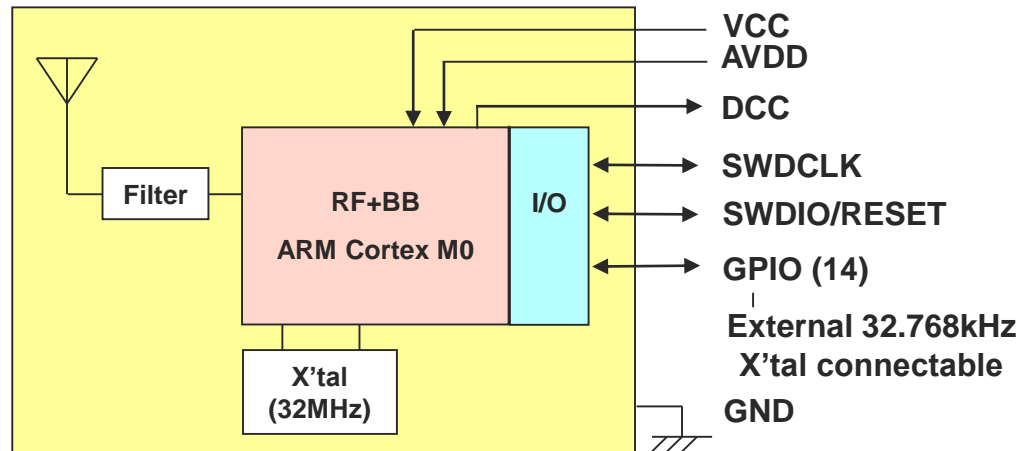
Outline



Applications

- Cycle computer
- Heart rate monitor
- Blood pressure monitor
- Blood glucose meter
- Weighing machine
- Thermometer
- Mobile accessories
- Sports and fitness sensors
- Remote controllers / Toys

Block Diagram



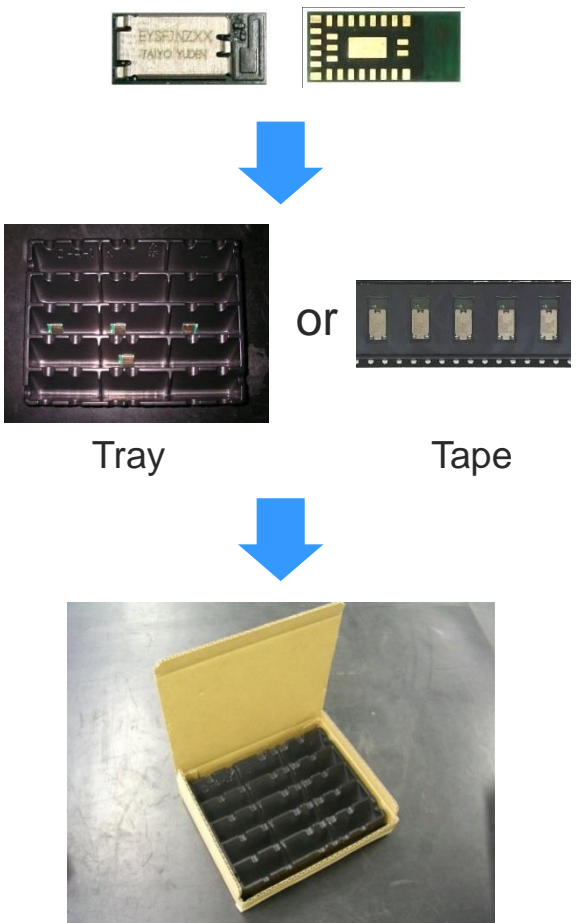
All specifications are subject to change without notice.

The *Bluetooth*® word mark and logos are owned by the *Bluetooth* SIG, Inc. and any use of such marks by TAIYO YUDEN CO., LTD. is under license.

Bluetooth® low energy Module Sample, Evaluation Board / Kit

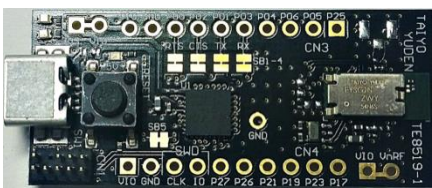
EYSGJNZXX, EYSGJNZWY,
EYAGJNZXX (Module)

Module samples



EBSGJNZWY, EBAGJNZXX
(EV-B)

Evaluation board

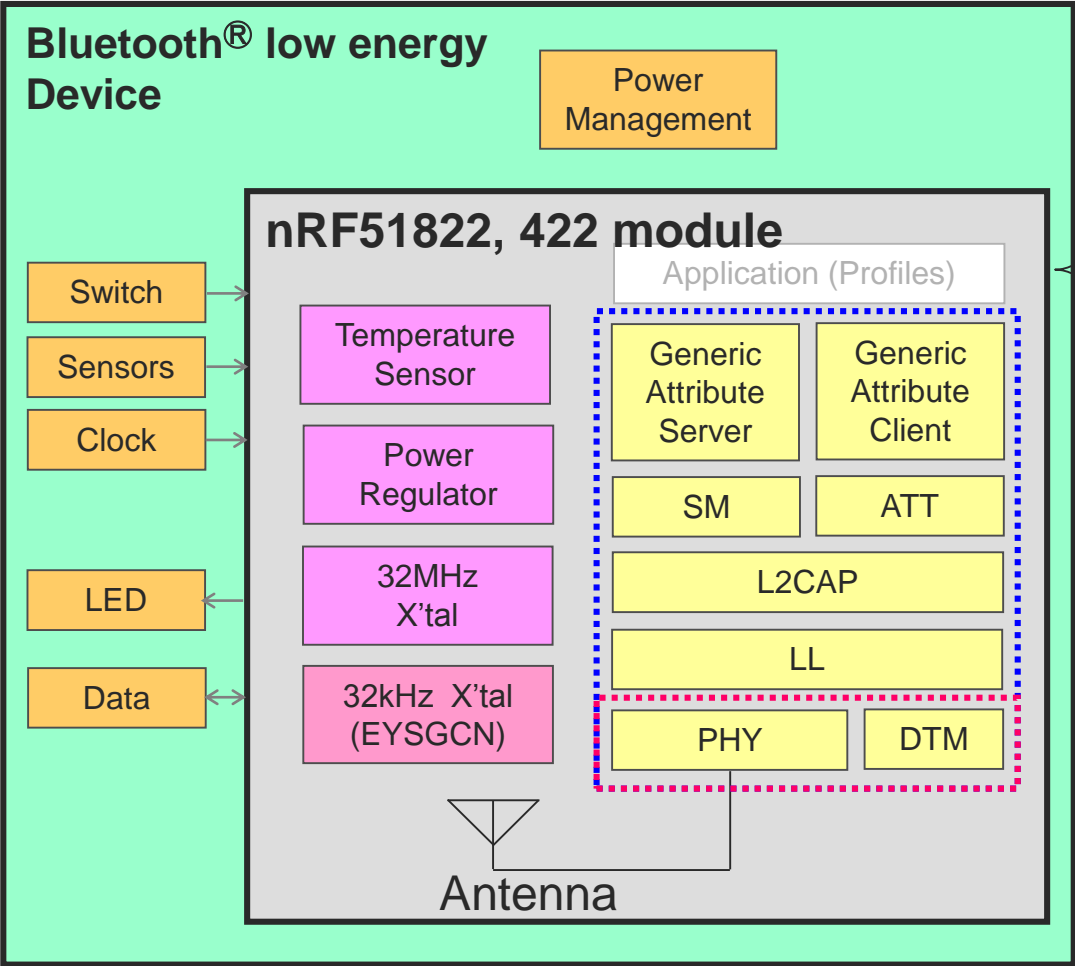


EKSGJNZWY, EKAGJNZXX
(EV-K)

Evaluation kit



Application Layer image for Basic Module



- Alert Notification **Nordic SDK**
- Blood Pressure
- Cycling Speed and Cadence
- Glucose
- HID Mouse
- Heart Rate
- Phone Alert Status
- Proximity
- Running Speed and Cadence
- Time

Basic module will be written under GATT.

Softdevice

- GAP:** Generic Access Profile
- SM:** Security Manager
- ATT:** Attribute Protocol
- L2CAP:** Logical Link Control and Adaptation Protocol
- LL:** Link Layer
- PHY:** Physical Layer
- DTM:** Direct Test Mode

EYSGCN, EYSGJN, EYAGJN Basic Module

Bluetooth® low energy Module: **EYSGCNAWY-1X**

Features

- Frequency: 2402 to 2480 MHz
- Output power: +4dBm typ.
- Single power supply: 1.8 – 3.6V
- Single Mode Bluetooth low energy **Slave / Master**
- Chip: nRF51822 (Nordic)
- Integrated System/Sleep Clock
- Integrated high performance ceramic chip antenna
- ARM Cortex M0** 32bit processor
- Application Embedded by Taiyo Yuden**
- (TY's App Lite: Generic Data transfer, Battery Service)**
- Interface: UART
- Outline: **9.6 x 12.9 x 2.0** mm with **1mm** pad pitch
- Operating Temperature range: -25 to 85 deg-C
- Bluetooth and Japan, FCC, IC qualified
- CE Conducted Test Report Available
- RoHS compliant / Complete Lead Free

Applications

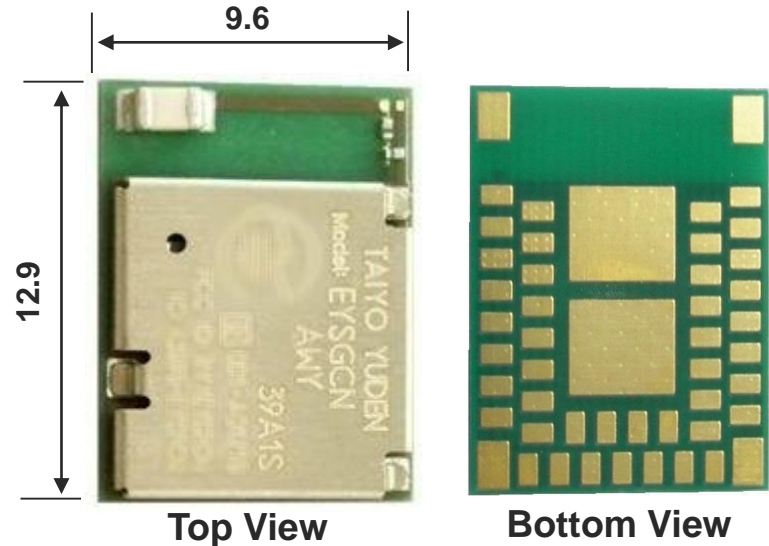
- Cycle computer
- Heart rate monitor
- Blood pressure monitor
- Blood glucose meter
- Weighing machine
- Thermometer
- Mobile accessories
- Sports and fitness sensors
- Remote controllers / Toys

All specifications are subject to change without notice.

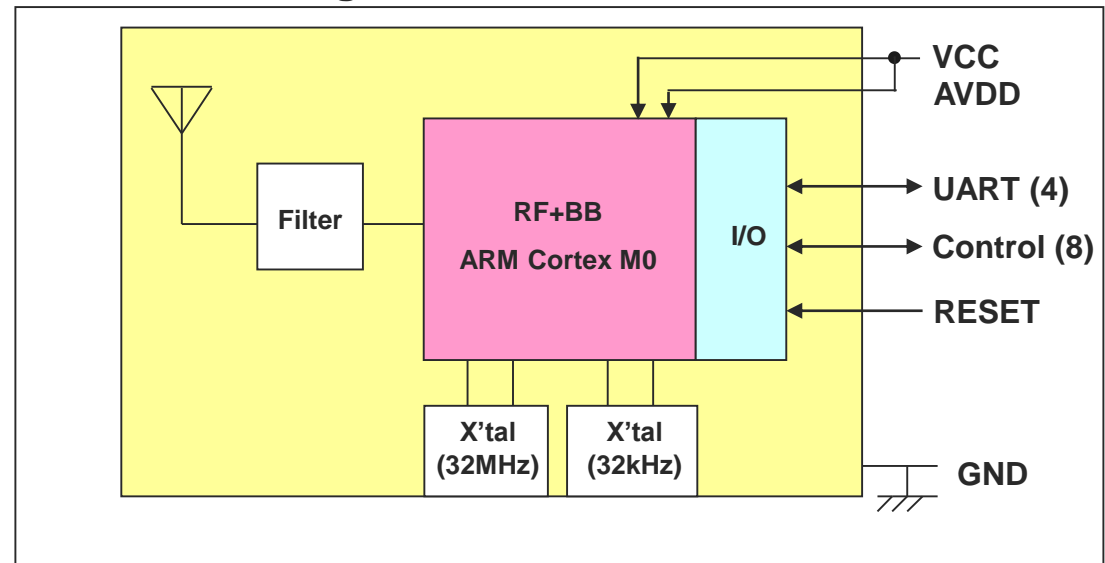
The *Bluetooth*® word mark and logos are owned by the *Bluetooth* SIG, Inc. and any use of such marks by TAIYO YUDEN CO., LTD. is under license.

Outline

Unit: mm



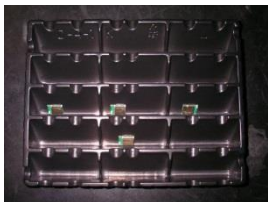
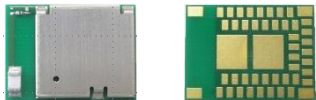
Block Diagram



Bluetooth low energy Module Sample, Evaluation Board

EYSGCNAWY-1X (Module)

Module samples



Tray

or



Tape



EBSGCNAWY-1X (EV-B)

Evaluation board



Bluetooth® low energy Module **EYSGJNAWY-1X**

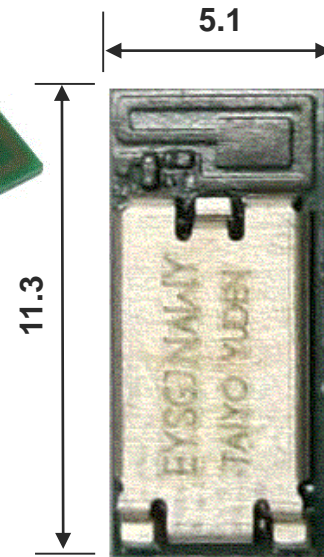
Features

- Frequency: 2402 to 2480 MHz
- Output power: +4dBm typ.
- Single power supply: 1.8 – 3.6V
- Single Mode Bluetooth low energy **Slave / Master**
- Chip: nRF51822 **Rev3** (Nordic)
- Integrated System Clock
- ARM Cortex M0** 32bit processor
- Application Embedded by Taiyo Yuden**
- (TY's App Lite : Generic Data transfer, Battery Service)**
- Interface: UART
- Integrated high performance pattern antenna
- Outline: **5.1 x 11.3 x 1.3**mm MAX
- Operating Temperature range: -25 to 85 deg-C
- Bluetooth and Japan, FCC, IC qualified
- CE Conducted Test Report Available
- RoHS compliant / Complete Lead Free

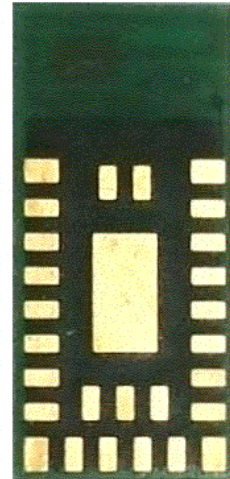
Applications

- Cycle computer
- Heart rate monitor
- Blood pressure monitor
- Blood glucose meter
- Weighing machine
- Thermometer
- Mobile accessories
- Sports and fitness sensors
- Remote controllers / Toys

Outline



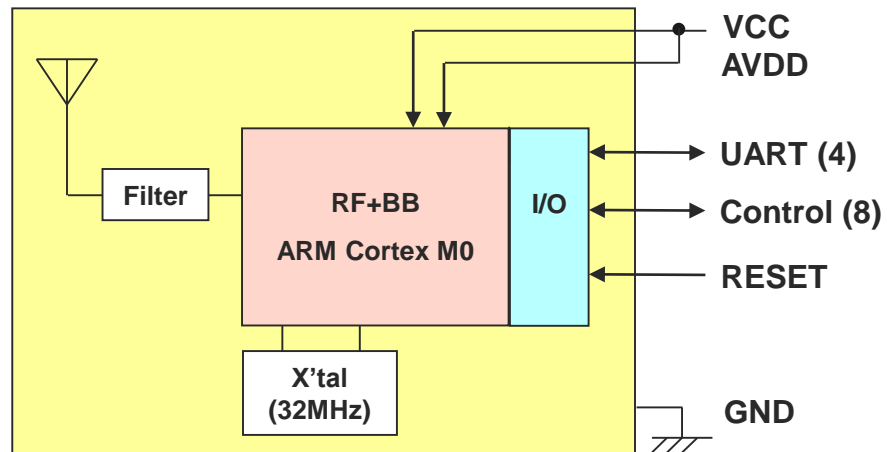
Unit: mm



Top View

Bottom View

Block Diagram

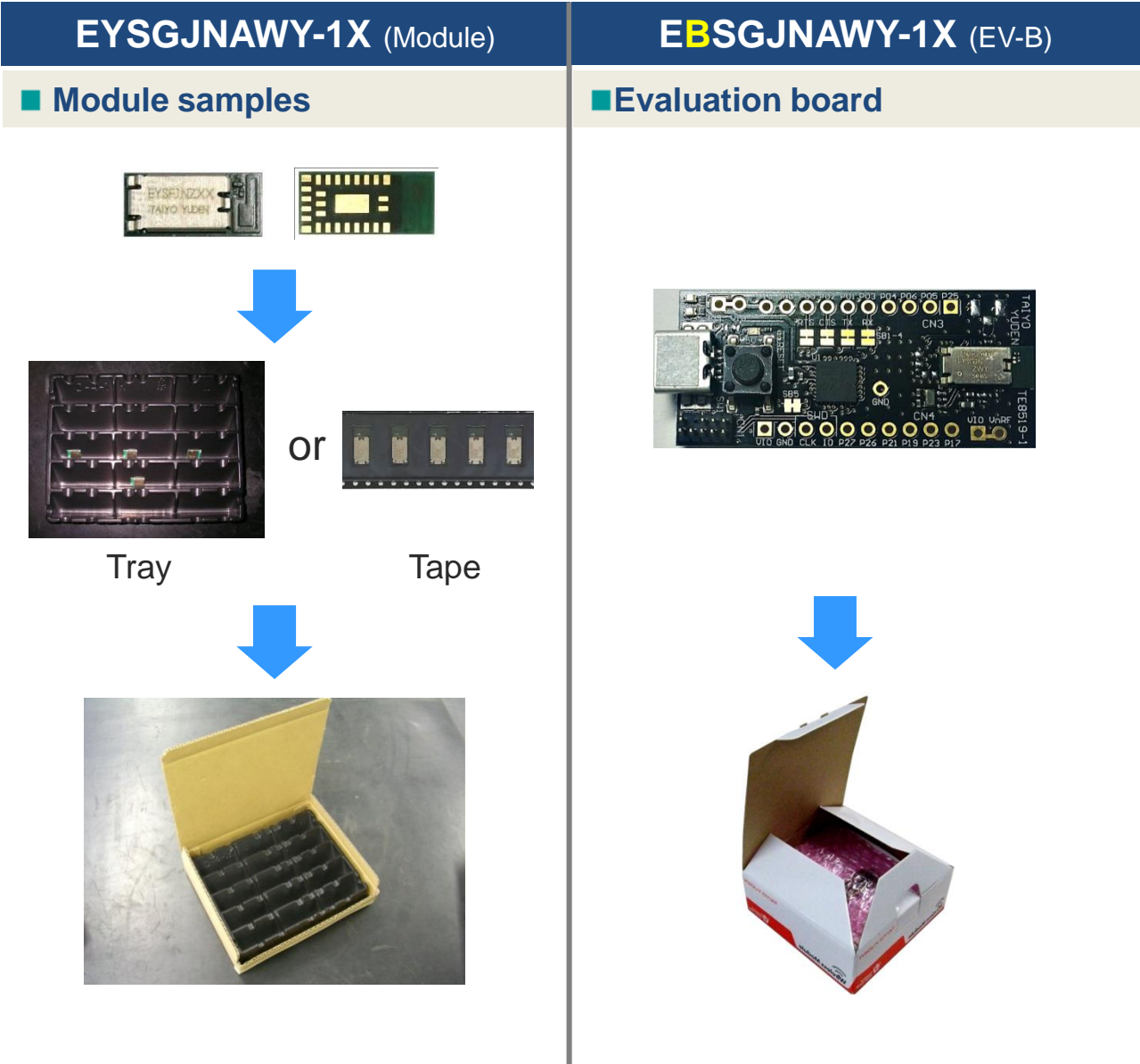


All specifications are subject to change without notice.

The *Bluetooth*® word mark and logos are owned by the *Bluetooth* SIG, Inc. and any use of such marks by TAIYO YUDEN CO., LTD. is under license.

TAIYO YUDEN

Bluetooth low energy Module Sample, Evaluation Board



Bluetooth® low energy Module: **EYSGCNAWY-WX**

Features

- Frequency: 2402 to 2480 MHz
- Output power: +4dBm typ.
- Single power supply: 1.8 – 3.6V
- Single Mode Bluetooth low energy **Slave / Master**
- Chip: nRF51822 (Nordic)
- Integrated System/Sleep Clock
- Integrated high performance ceramic chip antenna
- ARM Cortex M0** 32bit processor
- Application Embedded by Taiyo Yuden**
- (TY's App : Generic Data transfer, Battery Service)**
- Interface: UART
- Outline: **9.6 x 12.9 x 2.0** mm with **1mm** pad pitch
- Operating Temperature range: -25 to 85 deg-C
- Bluetooth and Japan, FCC, IC qualified
- CE Conducted Test Report Available
- RoHS compliant / Complete Lead Free

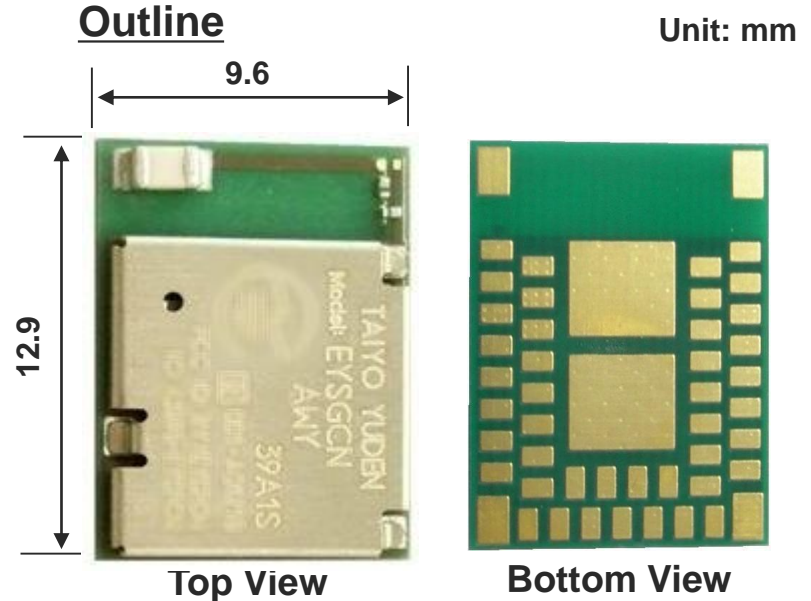
Applications

- Cycle computer
- Heart rate monitor
- Blood pressure monitor
- Blood glucose meter
- Weighing machine
- Thermometer
- Mobile accessories
- Sports and fitness sensors
- Remote controllers / Toys

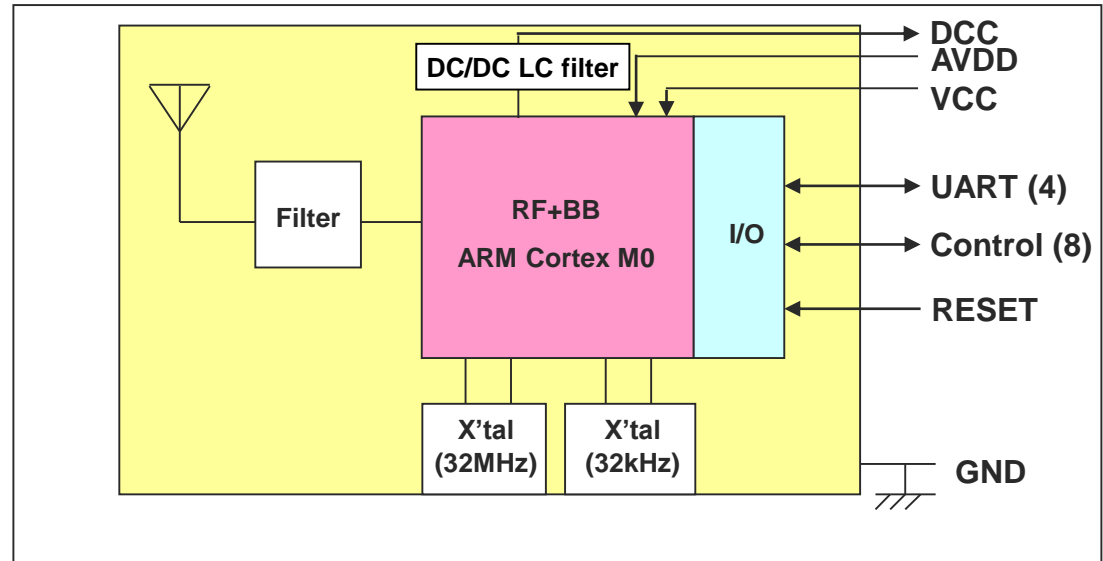
All specifications are subject to change without notice.

The *Bluetooth*® word mark and logos are owned by the *Bluetooth* SIG, Inc. and any use of such marks by TAIYO YUDEN CO., LTD. is under license.

TAIYO YUDEN



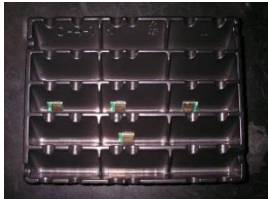
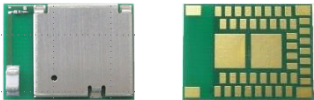
Block Diagram



Bluetooth low energy Module Sample, Evaluation Board

EYSGCNAWY-WX (Module)

Module samples



Tray

or



Tape



EBSGCNAWY-WX (EV-B)

Evaluation board



Bluetooth® low energy Module **EYSGJNAWY-WX**

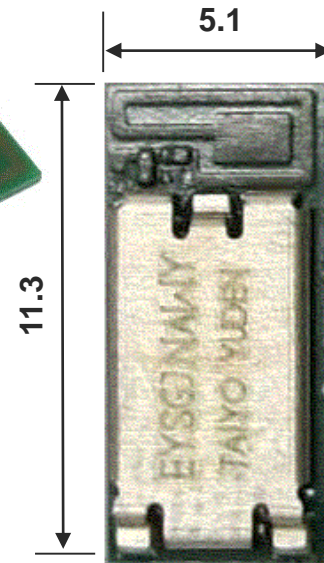
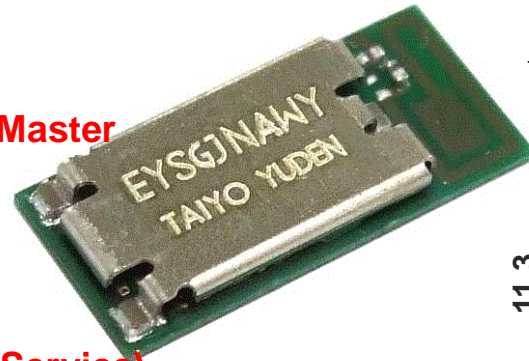
Features

- Frequency: 2402 to 2480 MHz
- Output power: +4dBm typ.
- Single power supply: 1.8 – 3.6V
- Single Mode Bluetooth low energy **Slave / Master**
- Chip: nRF51822 Rev3 (Nordic)
- Integrated System Clock
- ARM Cortex M0** 32bit processor
- Application Embedded by Taiyo Yuden**
- (TY's App : Generic Data transfer, Battery Service)**
- Interface: UART
- Integrated high performance pattern antenna
- Outline: **5.1 x 11.3 x 1.3**mm MAX
- Operating Temperature range: -25 to 85 deg-C
- Bluetooth and Japan, FCC, IC qualified
- CE Conducted Test Report Available
- RoHS compliant / Complete Lead Free

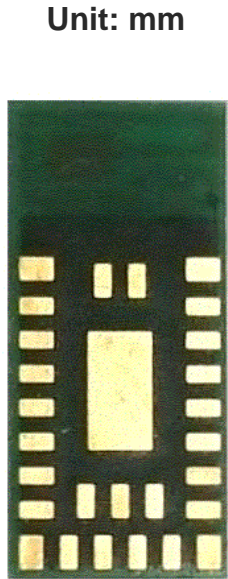
Applications

- Cycle computer
- Heart rate monitor
- Blood pressure monitor
- Blood glucose meter
- Weighing machine
- Thermometer
- Mobile accessories
- Sports and fitness sensors
- Remote controllers / Toys

Outline



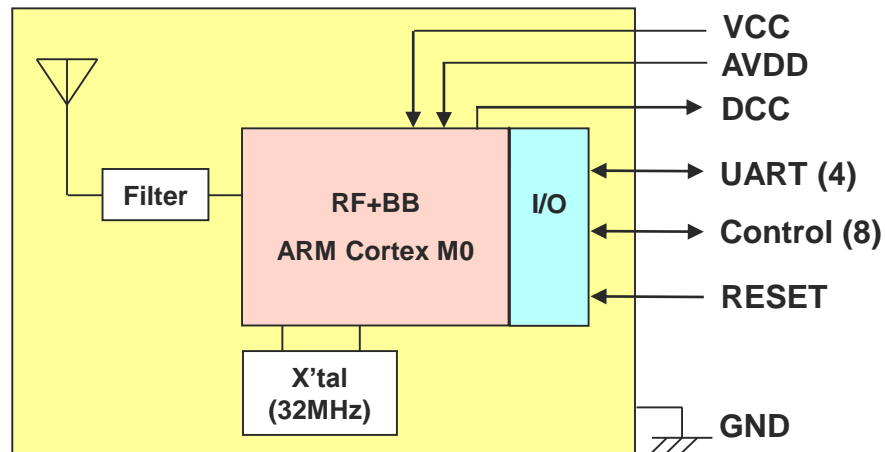
Top View



Bottom View

Unit: mm

Block Diagram

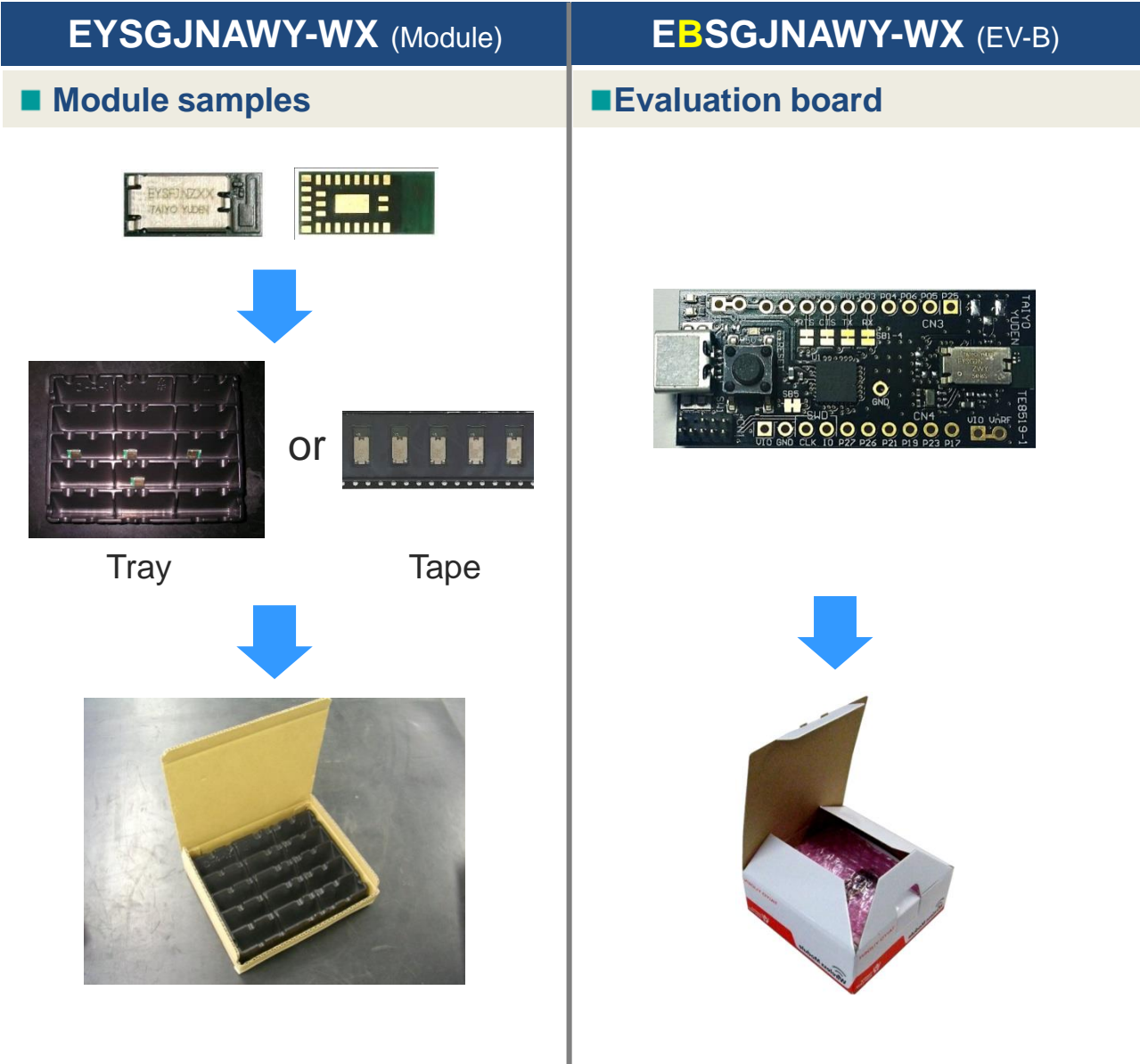


All specifications are subject to change without notice.

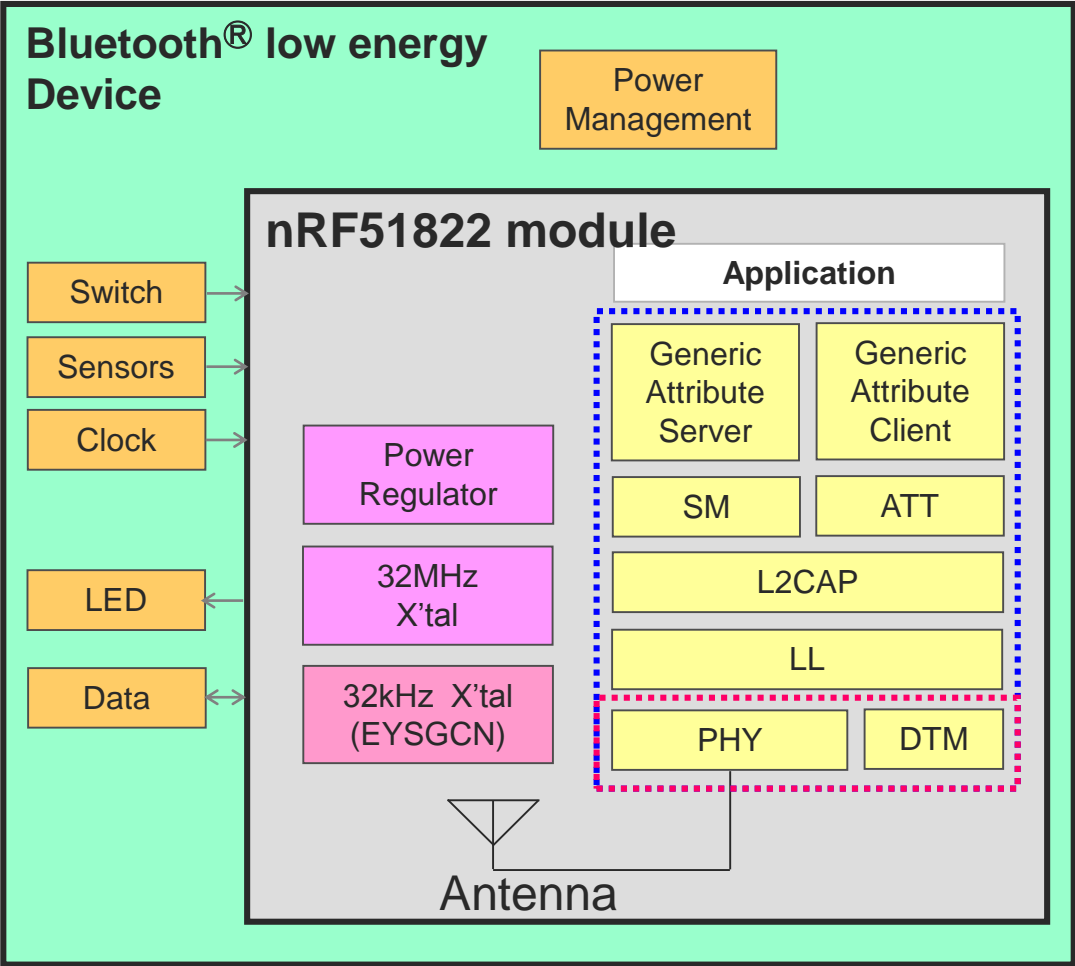
The Bluetooth® word mark and logos are owned by the Bluetooth SIG, Inc. and any use of such marks by TAIYO YUDEN CO., LTD. is under license.

TAIYO YUDEN

Bluetooth low energy Module Sample, Evaluation Board



Application Layer image for Application Embedded Module



Connection option

-1X module for Module - Module only

-WX module for Module - Module - Smart phone

Softdevice

- GAP:** Generic Access Profile
- SM:** Security Manager
- ATT:** Attribute Protocol
- L2CAP:** Logical Link Control and Adaptation Protocol
- LL:** Link Layer
- PHY:** Physical Layer
- DTM:** Direct Test Mode

EYSGCN, EYSGJN
Application Embedded Module

Bluetooth® low energy standard module

Type	Part No.	Size (LxWxH)	Specification	ANT™ Support	I/F	RAM	Certification	Temperature	
High Performance Basic (Software Support : Nordic)	EYSHSNZWZ	3.25x8.55 X0.9mm	Bluetooth V5.0 BLE Single Slave/ Master	✓	UART SPI I2C	64kB	Japan FCC IC (CE) ^{※2}	-40~+85 deg-C	
	EYSHCNZWZ	9.6x12.9 X2.0mm		✓		64kB			
	EYSHJNZWZ	5.1x11.3 X1.3mm		✓		64kB			
Basic (Software Support : Nordic)	EYSGCNZXX	9.6x12.9x 2.0mm	Bluetooth V4.2 ^{※1} BLE Single Slave/ Master			16kB		Japan FCC IC (CE) ^{※2}	-40~+85 deg-C (EYSGCN ZXX, EYSGJN ZXX)
	EYSGCNZWY					32kB			
	EYSGJNZXX	5.1x11.3x 1.3mm				16kB			
	EYSGJNZWY				32kB				
	EYAGJNZXX			✓	32kB				
Application Embedded – Module (Software Support : TAIYO YUDEN)	EYSGCNAWY-1X	9.6x12.9x 2.0mm	Bluetooth V4.1 BLE Single Slave/ Master		UART	N/A	-25~+85 deg-C (other than the above)		
	EYSGJNAWY-1X	5.1x11.3x 1.3mm							
Application Embedded – Smart phone (Software Support : TAIYO YUDEN)	EYSGCNAWY-WX	9.6x12.9x 2.0mm							
	EYSGJNAWY-WX	5.1x11.3x 1.3mm							

※1 Supported by S130 SoftDevice

※2 CE conducted test report available

TAIYO YUDEN



**Стандарт
Электрон
Связь**

Мы молодая и активно развивающаяся компания в области поставок электронных компонентов. Мы поставляем электронные компоненты отечественного и импортного производства напрямую от производителей и с крупнейших складов мира.

Благодаря сотрудничеству с мировыми поставщиками мы осуществляем комплексные и плановые поставки широчайшего спектра электронных компонентов.

Собственная эффективная логистика и склад в обеспечивает надежную поставку продукции в точно указанные сроки по всей России.

Мы осуществляем техническую поддержку нашим клиентам и предпродажную проверку качества продукции. На все поставляемые продукты мы предоставляем гарантию .

Осуществляем поставки продукции под контролем ВП МО РФ на предприятия военно-промышленного комплекса России , а также работаем в рамках 275 ФЗ с открытием отдельных счетов в уполномоченном банке. Система менеджмента качества компании соответствует требованиям ГОСТ ISO 9001.

Минимальные сроки поставки, гибкие цены, неограниченный ассортимент и индивидуальный подход к клиентам являются основой для выстраивания долгосрочного и эффективного сотрудничества с предприятиями радиоэлектронной промышленности, предприятиями ВПК и научно-исследовательскими институтами России.

С нами вы становитесь еще успешнее!

Наши контакты:

Телефон: +7 812 627 14 35

Электронная почта: sales@st-electron.ru

Адрес: 198099, Санкт-Петербург,
Промышленная ул, дом № 19, литера Н,
помещение 100-Н Офис 331