

# U37F <sup>New!</sup> Series



- Large Can
- Screw Terminals
- General Purpose U37 Grade
- High Ripple
- 350 to 500VDC Ratings
- RoHS Compliant
- 5,000 Hours Lifetime at +85°C
- Up to 150,000 Hours Useful Life



The U37F series is a general purpose, screw mount U37 grade series specifically designed to provide the ripple current capability and long life required for high reliability inverter applications. The U37F has an endurance rating of 5,000 hours at +85°C with the rated ripple current applied. The useful life can exceed 150,000 hours at +40°C and 1.5x the ripple current. These capacitors are available in a variety of high current English or Metric thread terminals. Mounting options include a three-footed clamp or bottom threaded stud. Custom designs are also available.

## Summary of Specifications

- Screw terminals: high and low post, English and Metric thread.
- Capacitance range: 1,500 to 22,000µF.
- Voltage range: 350 to 500VDC.
- Category temperature range: -40°C to +85°C.
- Leakage current: 0.02CV(µA) or 5mA, whichever is smaller, after 5 minutes at +25°C.
- Standard capacitance tolerance: ±20%
- Nominal case size (D×L): D = 50mm (2.000") to 89mm (3.500"); L = 92mm (3.625") to 219mm (8.625").
- Rated lifetime: 5,000 hours at +85°C with rated ripple current applied.



# U37F New! Series

## U37F Specifications - Screw Terminals

| Item                             | Characteristics   |   |                  |   |       |                   |       |                    |      |             |             |           |      |              |          |         |       |                   |                      |      |      |                      |    |    |       |                   |                      |   |   |                      |   |   |       |    |    |    |    |    |    |    |       |    |    |    |    |    |    |    |
|----------------------------------|---|---|------------------|---|-------|-------------------|-------|--------------------|------|-------------|-------------|-----------|------|--------------|----------|---------|-------|-------------------|----------------------|------|------|----------------------|----|----|-------|-------------------|----------------------|---|---|----------------------|---|---|-------|----|----|----|----|----|----|----|-------|----|----|----|----|----|----|----|
| Category Temperature Range       | -40 to +85°C  |   |                  |   |       |                   |       |                    |      |             |             |           |      |              |          |         |       |                   |                      |      |      |                      |    |    |       |                   |                      |   |   |                      |   |   |       |    |    |    |    |    |    |    |       |    |    |    |    |    |    |    |
| Rated Voltage Range              | 350 to 500VDC   |   |                  |   |       |                   |       |                    |      |             |             |           |      |              |          |         |       |                   |                      |      |      |                      |    |    |       |                   |                      |   |   |                      |   |   |       |    |    |    |    |    |    |    |       |    |    |    |    |    |    |    |
| Capacitance Range                | 1,500 to 22,000µF at +25°C, 120Hz   |   |                  |   |       |                   |       |                    |      |             |             |           |      |              |          |         |       |                   |                      |      |      |                      |    |    |       |                   |                      |   |   |                      |   |   |       |    |    |    |    |    |    |    |       |    |    |    |    |    |    |    |
| Capacitance Tolerance            | ±20% (M) at +25°C, 120Hz  |   |                  |   |       |                   |       |                    |      |             |             |           |      |              |          |         |       |                   |                      |      |      |                      |    |    |       |                   |                      |   |   |                      |   |   |       |    |    |    |    |    |    |    |       |    |    |    |    |    |    |    |
| Leakage Current                  | $I = 0.02CV$ (µA) or 5mA, whichever is smaller, after 5 minutes at +25°C.<br>Where I = Max. leakage current (µA), C = Nominal capacitance (µF) and V = Rated voltage (V)  |   |                  |   |       |                   |       |                    |      |             |             |           |      |              |          |         |       |                   |                      |      |      |                      |    |    |       |                   |                      |   |   |                      |   |   |       |    |    |    |    |    |    |    |       |    |    |    |    |    |    |    |
| Rated Ripple Current Multipliers | <p>Ambient Temperature (°C)</p> <table border="1"> <tr> <td>+45°C</td> <td>+65°C</td> <td>+85°C</td> </tr> <tr> <td>2.82</td> <td>1.73</td> <td>1.00</td> </tr> </table> <p>Frequency (Hz)</p> <table border="1"> <tr> <td>DC Rated Voltage</td> <td>50Hz</td> <td>120Hz</td> <td>300Hz</td> <td>1kHz</td> <td>3kHz</td> <td>10kHz</td> </tr> <tr> <td>350-500V</td> <td>0.80</td> <td>1.00</td> <td>1.20</td> <td>1.30</td> <td>1.40</td> <td>1.41</td> </tr> </table> <p>To determine maximum ripple current at a specified temperature and frequency, use the appropriate multiplier shown.</p>  | +45°C   | +65°C            | +85°C   | 2.82  | 1.73              | 1.00  | DC Rated Voltage   | 50Hz | 120Hz       | 300Hz       | 1kHz      | 3kHz | 10kHz        | 350-500V | 0.80    | 1.00  | 1.20              | 1.30                 | 1.40 | 1.41 |                      |    |    |       |                   |                      |   |   |                      |   |   |       |    |    |    |    |    |    |    |       |    |    |    |    |    |    |    |
| +45°C                            | +65°C   | +85°C   |                  |   |       |                   |       |                    |      |             |             |           |      |              |          |         |       |                   |                      |      |      |                      |    |    |       |                   |                      |   |   |                      |   |   |       |    |    |    |    |    |    |    |       |    |    |    |    |    |    |    |
| 2.82                             | 1.73  | 1.00  |                  |   |       |                   |       |                    |      |             |             |           |      |              |          |         |       |                   |                      |      |      |                      |    |    |       |                   |                      |   |   |                      |   |   |       |    |    |    |    |    |    |    |       |    |    |    |    |    |    |    |
| DC Rated Voltage                 | 50Hz  | 120Hz   | 300Hz            | 1kHz  | 3kHz  | 10kHz             |       |                    |      |             |             |           |      |              |          |         |       |                   |                      |      |      |                      |    |    |       |                   |                      |   |   |                      |   |   |       |    |    |    |    |    |    |    |       |    |    |    |    |    |    |    |
| 350-500V                         | 0.80  | 1.00  | 1.20             | 1.30  | 1.40  | 1.41              |       |                    |      |             |             |           |      |              |          |         |       |                   |                      |      |      |                      |    |    |       |                   |                      |   |   |                      |   |   |       |    |    |    |    |    |    |    |       |    |    |    |    |    |    |    |
| Endurance (Load Life)            | <p>The following specifications shall be satisfied when the capacitors are restored to +25°C after subjecting them to DC voltage for 5,000 hours at +85°C with the rated ripple current applied. The sum of the DC voltage and peak AC voltage must not exceed the full rated voltage of the capacitors.</p> <p>Capacitance change: ≤ 20% from initial measurement<br/>           ESR change : ≤ 200% of initial specified limit<br/>           Leakage current : ≤ initial specified limit</p>   |   |                  |   |       |                   |       |                    |      |             |             |           |      |              |          |         |       |                   |                      |      |      |                      |    |    |       |                   |                      |   |   |                      |   |   |       |    |    |    |    |    |    |    |       |    |    |    |    |    |    |    |
| Useful Life                      | <p>With specified standard voltage and ripple current applied, typical life as function of ambient temperature is listed below.</p> <table border="1"> <tr> <td>+85°C</td> <td>6,500 hours max.</td> <td rowspan="3">           Capacitance change: ≤ 30% from initial measurement<br/>           ESR change : ≤ 300% of initial specified limit<br/>           Leakage current : ≤ initial specified limit         </td> </tr> <tr> <td>+65°C</td> <td>23,800 hours max.</td> </tr> <tr> <td>+45°C</td> <td>124,700 hours max.</td> </tr> </table>   | +85°C   | 6,500 hours max. | Capacitance change: ≤ 30% from initial measurement<br>ESR change : ≤ 300% of initial specified limit<br>Leakage current : ≤ initial specified limit | +65°C | 23,800 hours max. | +45°C | 124,700 hours max. |      |             |             |           |      |              |          |         |       |                   |                      |      |      |                      |    |    |       |                   |                      |   |   |                      |   |   |       |    |    |    |    |    |    |    |       |    |    |    |    |    |    |    |
| +85°C                            | 6,500 hours max.  | Capacitance change: ≤ 30% from initial measurement<br>ESR change : ≤ 300% of initial specified limit<br>Leakage current : ≤ initial specified limit |                  |   |       |                   |       |                    |      |             |             |           |      |              |          |         |       |                   |                      |      |      |                      |    |    |       |                   |                      |   |   |                      |   |   |       |    |    |    |    |    |    |    |       |    |    |    |    |    |    |    |
| +65°C                            | 23,800 hours max.   |   |                  |   |       |                   |       |                    |      |             |             |           |      |              |          |         |       |                   |                      |      |      |                      |    |    |       |                   |                      |   |   |                      |   |   |       |    |    |    |    |    |    |    |       |    |    |    |    |    |    |    |
| +45°C                            | 124,700 hours max.  |   |                  |   |       |                   |       |                    |      |             |             |           |      |              |          |         |       |                   |                      |      |      |                      |    |    |       |                   |                      |   |   |                      |   |   |       |    |    |    |    |    |    |    |       |    |    |    |    |    |    |    |
| Shelf Life                       | <p>The following specifications shall be satisfied when the capacitors are restored to +25°C after exposing them for 500 hours at +85°C without voltage applied. The rated voltage shall be applied to the capacitors for a minimum of 30 minutes, at least 24 hours and not more than 48 hours before the measurements.</p> <p>Capacitance change: ≤ 20% from initial measurement<br/>           ESR change : ≤ 200% of initial specified limit<br/>           Leakage current : ≤ initial specified limit</p>   |   |                  |   |       |                   |       |                    |      |             |             |           |      |              |          |         |       |                   |                      |      |      |                      |    |    |       |                   |                      |   |   |                      |   |   |       |    |    |    |    |    |    |    |       |    |    |    |    |    |    |    |
| Vibration Rating                 | 10-55Hz, 10g sinusoidal in three axes, 2 hours per axis.  |   |                  |   |       |                   |       |                    |      |             |             |           |      |              |          |         |       |                   |                      |      |      |                      |    |    |       |                   |                      |   |   |                      |   |   |       |    |    |    |    |    |    |    |       |    |    |    |    |    |    |    |
| Maximum Tightening Torque        | <table border="1"> <tr> <td>Terminal Code</td> <td>HP</td> <td>HL</td> <td>CD</td> <td>CP</td> <td>CH</td> <td>CA</td> <td>CS</td> </tr> <tr> <td>Thread Size</td> <td>10-32 NF-2B</td> <td>M5x0.8-6H</td> <td></td> <td>1/4-28 NF-2B</td> <td></td> <td>M6x1-6H</td> <td></td> </tr> <tr> <td>3 Threads Engaged</td> <td colspan="3">2.0 N·m (18.0 in·lb)</td> <td colspan="4">4.0 N·m (35.0 in·lb)</td> </tr> <tr> <td>6 Threads Engaged</td> <td colspan="3">2.8 N·m (25.0 in·lb)</td> <td colspan="4">6.2 N·m (55.0 in·lb)</td> </tr> </table>  | Terminal Code   | HP               | HL  | CD    | CP                | CH    | CA                 | CS   | Thread Size | 10-32 NF-2B | M5x0.8-6H |      | 1/4-28 NF-2B |          | M6x1-6H |       | 3 Threads Engaged | 2.0 N·m (18.0 in·lb) |      |      | 4.0 N·m (35.0 in·lb) |    |    |       | 6 Threads Engaged | 2.8 N·m (25.0 in·lb) |   |   | 6.2 N·m (55.0 in·lb) |   |   |       |    |    |    |    |    |    |    |       |    |    |    |    |    |    |    |
| Terminal Code                    | HP  | HL  | CD               | CP  | CH    | CA                | CS    |                    |      |             |             |           |      |              |          |         |       |                   |                      |      |      |                      |    |    |       |                   |                      |   |   |                      |   |   |       |    |    |    |    |    |    |    |       |    |    |    |    |    |    |    |
| Thread Size                      | 10-32 NF-2B   | M5x0.8-6H   |                  | 1/4-28 NF-2B  |       | M6x1-6H           |       |                    |      |             |             |           |      |              |          |         |       |                   |                      |      |      |                      |    |    |       |                   |                      |   |   |                      |   |   |       |    |    |    |    |    |    |    |       |    |    |    |    |    |    |    |
| 3 Threads Engaged                | 2.0 N·m (18.0 in·lb)  |   |                  | 4.0 N·m (35.0 in·lb)  |       |                   |       |                    |      |             |             |           |      |              |          |         |       |                   |                      |      |      |                      |    |    |       |                   |                      |   |   |                      |   |   |       |    |    |    |    |    |    |    |       |    |    |    |    |    |    |    |
| 6 Threads Engaged                | 2.8 N·m (25.0 in·lb)  |   |                  | 6.2 N·m (55.0 in·lb)  |       |                   |       |                    |      |             |             |           |      |              |          |         |       |                   |                      |      |      |                      |    |    |       |                   |                      |   |   |                      |   |   |       |    |    |    |    |    |    |    |       |    |    |    |    |    |    |    |
| Typical Inductance (nH) at 1MHz  | <table border="1"> <tr> <td rowspan="2">Case Diameter (mm)</td> <td colspan="7">Terminal Code</td> </tr> <tr> <td>HP</td> <td>HL</td> <td>CD</td> <td>CP</td> <td>CH</td> <td>CA</td> <td>CS</td> </tr> <tr> <td>∅50.8</td> <td>—</td> <td>—</td> <td>NA</td> <td>NA</td> <td>NA</td> <td>NA</td> <td>NA</td> </tr> <tr> <td>∅63.5</td> <td>—</td> <td>—</td> <td>—</td> <td>—</td> <td>—</td> <td>—</td> <td>—</td> </tr> <tr> <td>∅76.2</td> <td>30</td> <td>30</td> <td>25</td> <td>20</td> <td>25</td> <td>20</td> <td>25</td> </tr> <tr> <td>∅89.0</td> <td>30</td> <td>30</td> <td>25</td> <td>20</td> <td>25</td> <td>20</td> <td>25</td> </tr> </table> | Case Diameter (mm)  | Terminal Code    |   |       |                   |       |                    |      | HP          | HL          | CD        | CP   | CH           | CA       | CS      | ∅50.8 | —                 | —                    | NA   | NA   | NA                   | NA | NA | ∅63.5 | —                 | —                    | — | — | —                    | — | — | ∅76.2 | 30 | 30 | 25 | 20 | 25 | 20 | 25 | ∅89.0 | 30 | 30 | 25 | 20 | 25 | 20 | 25 |
| Case Diameter (mm)               | Terminal Code   |   |                  |   |       |                   |       |                    |      |             |             |           |      |              |          |         |       |                   |                      |      |      |                      |    |    |       |                   |                      |   |   |                      |   |   |       |    |    |    |    |    |    |    |       |    |    |    |    |    |    |    |
|                                  | HP  | HL  | CD               | CP  | CH    | CA                | CS    |                    |      |             |             |           |      |              |          |         |       |                   |                      |      |      |                      |    |    |       |                   |                      |   |   |                      |   |   |       |    |    |    |    |    |    |    |       |    |    |    |    |    |    |    |
| ∅50.8                            | —   | —   | NA               | NA  | NA    | NA                | NA    |                    |      |             |             |           |      |              |          |         |       |                   |                      |      |      |                      |    |    |       |                   |                      |   |   |                      |   |   |       |    |    |    |    |    |    |    |       |    |    |    |    |    |    |    |
| ∅63.5                            | —   | —   | —                | —   | —     | —                 | —     |                    |      |             |             |           |      |              |          |         |       |                   |                      |      |      |                      |    |    |       |                   |                      |   |   |                      |   |   |       |    |    |    |    |    |    |    |       |    |    |    |    |    |    |    |
| ∅76.2                            | 30  | 30  | 25               | 20  | 25    | 20                | 25    |                    |      |             |             |           |      |              |          |         |       |                   |                      |      |      |                      |    |    |       |                   |                      |   |   |                      |   |   |       |    |    |    |    |    |    |    |       |    |    |    |    |    |    |    |
| ∅89.0                            | 30  | 30  | 25               | 20  | 25    | 20                | 25    |                    |      |             |             |           |      |              |          |         |       |                   |                      |      |      |                      |    |    |       |                   |                      |   |   |                      |   |   |       |    |    |    |    |    |    |    |       |    |    |    |    |    |    |    |
| Custom Designs                   | Custom CV values per case size and termination type may be available upon request. Contact appropriate representative with specific requirements.   |   |                  |   |       |                   |       |                    |      |             |             |           |      |              |          |         |       |                   |                      |      |      |                      |    |    |       |                   |                      |   |   |                      |   |   |       |    |    |    |    |    |    |    |       |    |    |    |    |    |    |    |

# U37F New! Series

## U37F Useful Life

### Useful Life: 6,500 Hours at +85°C

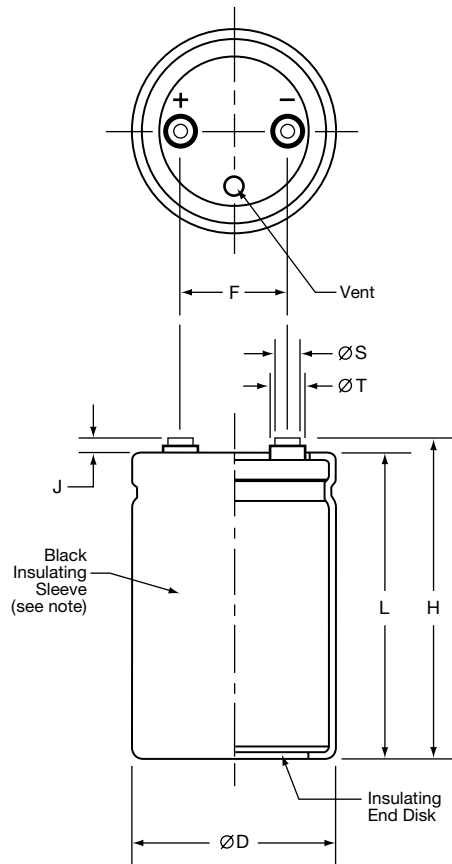
The life expectancy of a capacitor is shown as a function of ambient temperature and ripple current load.



## Diagram of Dimensions - Screw Terminals

### Large Can/Screw Terminals

Unit: mm (inches)



### Case Dimensions and Standard Box Quantities

| Case Size Code                                | $\varnothing D$<br>+2.0 (0.080) | L<br>$\pm 1.0$ (0.040)   | F<br>$\pm 0.25$ (0.010) | Standard Box Quantity |
|---|---------------------------------|--|-------------------------|-----------------------|
| CB7<br>CD0                                    | 50.8 (2.000)                    | 117 (4.625)<br>130 (5.125)   | 22.2 (0.875)            | 49                    |
| D92<br>DA5<br>DB7<br>DD0<br>DE3               | 63.5 (2.500)                    | 92 (3.625)<br>105 (4.125)<br>117 (4.625)<br>130 (5.125)<br>143 (5.625)                               | 28.6 (1.125)            | 20                    |
| E92<br>EA5<br>EB7<br>EE3<br>EJ1<br>EM9        | 76.2 (3.000)                    | 92 (3.625)<br>105 (4.125)<br>117 (4.625)<br>143 (5.625)<br>181 (7.125)<br>219 (8.625)                | 31.8 (1.250)            | 16<br>9               |
| F92<br>FA5<br>FB7<br>FE3<br>FF5<br>FK0<br>FM9 | 89.0 (3.500)                    | 92 (3.625)<br>105 (4.125)<br>117 (4.625)<br>143 (5.625)<br>155 (6.125)<br>190 (7.500)<br>219 (8.625) | 31.8 (1.250)            | 5                     |

Note:  
In some cases, the color of the sleeve may change slightly due to the operating conditions, however, the discoloration will not impair capacitor function.

### Terminal Specifications

| Terminal Code | Available Case Diameter |                             | Thread Size  | Minimum Thread Depth | J<br>$\pm 0.5$ (0.020) | H<br>$\pm 2.0$ (0.080) | $\varnothing S$<br>$\pm 0.25$ (0.010) | $\varnothing T$<br>$\pm 0.25$ (0.010) |
|---------------|-------------------------|-----------------------------|--------------|----------------------|------------------------|------------------------|---------------------------------------|---------------------------------------|
|               | $\varnothing D$ Code    | $\varnothing D$ mm (inches) |              |                      |                        |                        |                                       |                                       |
| HP            | C                       | 50.8 (2.000)                | 10-32 NF-2B  | 9.5 (0.375)          | 6.4 (0.250)            | L+J                    | 8.0 (0.313)                           | 11.1 (0.438)                          |
| HL            | C                       | 50.8 (2.000)                | M5x0.8-6H    | 9.5 (0.375)          | 6.4 (0.250)            | L+J                    | 8.0 (0.313)                           | 11.1 (0.438)                          |
| CD            | D-E                     | 63.5 - 76.2 (2.500 - 3.000) | M5x0.8-6H    | 8.5 (0.335)          | 5.0 (0.200)            | L+J                    | 13.0 (0.512)                          | 18.8 (0.740)                          |
| CP            | D-F                     | 63.5 - 89.0 (2.500 - 3.500) | 1/4-28 NF-2B | 8.7 (0.344)          | 2.4 (0.093)            | L+J                    | 17.5 (0.689)                          | —                                     |
| CH            | D-F                     | 63.5 - 89.0 (2.500 - 3.500) | 1/4-28 NF-2B | 11.9 (0.468)         | 6.4 (0.250)            | L+J                    | 17.5 (0.689)                          | —                                     |
| CA            | D-F                     | 63.5 - 89.0 (2.500 - 3.500) | M6x1-6H      | 8.7 (0.344)          | 2.4 (0.093)            | L+J                    | 17.5 (0.689)                          | —                                     |
| CS            | D-F                     | 63.5 - 89.0 (2.500 - 3.500) | M6x1-6H      | 11.9 (0.468)         | 6.4 (0.250)            | L+J                    | 17.5 (0.689)                          | —                                     |

Mounting Hardware is optional. Refer to hardware specifications on the following page.

**U37F** New!  
Series

Mounting Hardware - Screw Terminals

Type C: Three-Footed Clamp

Unit: mm (inches)



Clamp: Zinc with silver trivalent chromate post treatment.  
Hardware: Screw, washer and hexagon nut included with each clamp.

Type C: Clamp Dimensions

| Mounting Code | Case ØD      | A<br>±1.0 (0.040) | B<br>±1.0 (0.040) | G<br>±1.0 (0.040) | J<br>±0.5 (0.020) | K<br>±0.5 (0.020) | R<br>±1.0 (0.040) | S<br>±1.0 (0.040) | T<br>±0.5 (0.020) |
|---------------|--------------|-------------------|-------------------|-------------------|-------------------|-------------------|-------------------|-------------------|-------------------|
| C             | 50.8 (2.000) | 31.8 (1.250)      | 36.5 (1.437)      | 13.3 (0.524)      | 4.5 (0.177)       | 7.1 (0.280)       | 19.1 (0.751)      | 9.5 (0.374)       | 0.8 (0.032)       |
| C             | 63.5 (2.500) | 38.1 (1.500)      | 42.9 (1.689)      | 13.3 (0.524)      | 4.5 (0.177)       | 7.1 (0.280)       | 19.1 (0.751)      | 9.5 (0.374)       | 0.8 (0.032)       |
| C             | 76.2 (3.000) | 44.5 (1.750)      | 49.2 (1.937)      | 13.3 (0.524)      | 4.5 (0.177)       | 7.1 (0.280)       | 19.1 (0.751)      | 9.5 (0.374)       | 1.0 (0.040)       |
| C             | 89.0 (3.500) | 50.8 (2.000)      | 56.5 (2.224)      | 16.0 (0.630)      | 4.5 (0.177)       | 8.0 (0.313)       | 21.0 (0.827)      | 9.0 (0.354)       | 1.0 (0.040)       |

Type S: Stud Mounting



Mounting Nut - Order Separately

The insulated plastic mounting nut is not included with stud mount capacitor orders. It must be ordered separately. See available part numbers below.

Type S: Stud Dimensions

| Mounting Code | P<br>±1.0 (0.040) | T<br>Thread Size |
|---------------|-------------------|------------------|
| S             | 16.0 (0.630)      | M12              |

Mounting Nut Dimensions

| Part Number | ØK<br>±2.0 (0.080) | M<br>±1.0 (0.040) | N<br>±1.0 (0.040) | ØQ<br>±1.0 (0.040) | R<br>±1.0 (0.040) |
|-------------|--------------------|-------------------|-------------------|--------------------|-------------------|
| 50-8D       | 30.0 (1.181)       | 19.0 (0.748)      | 18.0 (0.709)      | 22.0 (0.866)       | 1.40 (0.055)      |
| 50-8E       | 38.0 (1.496)       | 19.0 (0.748)      | 18.0 (0.709)      | 30.0 (1.181)       | 1.40 (0.055)      |

# U37F New! Series

**Part Numbering System for U37F Series** When ordering, always specify complete 18-field global part number.



# U37F (New!) Series

## Standard Voltage Ratings - Screw Terminals

| Rated Voltage (WVDC)                 | Capacitance (μF)   | Global Part Number† | Nominal Case Size* D × L (mm) | Case Size Code | Maximum ESR (mΩ) at +25°C, 120Hz | Rated Ripple Current (A rms) at +85°C |       |       |
|--------------------------------------|--------------------|---------------------|-------------------------------|----------------|----------------------------------|---------------------------------------|-------|-------|
|                                      |                    |                     |                               |                |                                  | 120Hz                                 | 300Hz | >3kHz |
| <b>350 Volts<br/>400 Volts Surge</b> | 3,300              | E37F351HPN332MCB7M  | 50 × 117                      | CB7            | 28                               | 10.8                                  | 12.9  | 15.1  |
|                                      | 3,900              | E37F351HPN392MCD0M  | 50 × 130                      | CD0            | 23                               | 12.2                                  | 14.6  | 17.0  |
|                                      | 3,300              | E37F351CPN332MD92M  | 63.5 × 92                     | D92            | 28                               | 11.2                                  | 13.4  | 15.6  |
|                                      | 3,900              | E37F351CPN392MDA5M  | 63.5 × 105                    | DA5            | 23                               | 12.7                                  | 15.2  | 17.7  |
|                                      | 4,700              | E37F351CPN472MDB7M  | 63.5 × 117                    | DB7            | 19                               | 14.5                                  | 17.4  | 20.3  |
|                                      | 5,600              | E37F351CPN562MDD0M  | 63.5 × 130                    | DD0            | 16                               | 16.4                                  | 19.7  | 22.9  |
|                                      | 5,600              | E37F351CPN562MDE3M  | 63.5 × 143                    | DE3            | 16                               | 17.0                                  | 20.4  | 23.7  |
|                                      | 4,700              | E37F351CPN472ME92M  | 76.2 × 92                     | E92            | 20                               | 14.5                                  | 17.4  | 20.2  |
|                                      | 5,600              | E37F351CPN562MEA5M  | 76.2 × 105                    | EA5            | 17                               | 16.5                                  | 19.8  | 23.1  |
|                                      | 6,800              | E37F351CPN682MEB7M  | 76.2 × 117                    | EB7            | 14                               | 18.9                                  | 22.6  | 26.4  |
|                                      | 8,200              | E37F351CPN822MEE3M  | 76.2 × 143                    | EE3            | 12                               | 22.2                                  | 26.7  | 31.1  |
|                                      | 12,000             | E37F351CPN123MEJ1M  | 76.2 × 181                    | EJ1            | 8                                | 29.4                                  | 35.2  | 41.1  |
|                                      | 15,000             | E37F351CPN153MEM9M  | 76.2 × 219                    | EM9            | 6                                | 35.4                                  | 42.5  | 49.6  |
|                                      | 6,800              | E37F351CPN682MF92M  | 89 × 92                       | F92            | 14                               | 19.1                                  | 22.9  | 26.7  |
|                                      | 8,200              | E37F351CPN822MFA5M  | 89 × 105                      | FA5            | 12                               | 21.8                                  | 26.2  | 30.5  |
|                                      | 10,000             | E37F351CPN103MFB7M  | 89 × 117                      | FB7            | 10                               | 25.0                                  | 30.0  | 35.0  |
|                                      | 12,000             | E37F351CPN123MFE3M  | 89 × 143                      | FE3            | 8                                | 29.3                                  | 35.2  | 41.1  |
|                                      | 15,000             | E37F351CPN153MFF5M  | 89 × 155                      | FF5            | 6                                | 33.8                                  | 40.5  | 47.3  |
| 18,000                               | E37F351CPN183MFK0M | 89 × 190            | FK0                           | 5              | 40.0                             | 47.9                                  | 55.9  |       |
| 22,000                               | E37F351CPN223MFM9M | 89 × 219            | FM9                           | 4              | 46.7                             | 56.0                                  | 65.4  |       |
| <b>400 Volts<br/>450 Volts Surge</b> | 2,700              | E37F401HPN272MCB7M  | 50 × 117                      | CB7            | 30                               | 10.4                                  | 12.5  | 14.6  |
|                                      | 3,300              | E37F401HPN332MCD0M  | 50 × 130                      | CD0            | 26                               | 11.6                                  | 13.9  | 16.2  |
|                                      | 2,700              | E37F401CPN272MD92M  | 63.5 × 92                     | D92            | 30                               | 10.7                                  | 12.9  | 15.0  |
|                                      | 3,300              | E37F401CPN332MDA5M  | 63.5 × 105                    | DA5            | 25                               | 12.3                                  | 14.7  | 17.2  |
|                                      | 3,900              | E37F401CPN392MDB7M  | 63.5 × 117                    | DB7            | 21                               | 13.8                                  | 16.5  | 19.3  |
|                                      | 4,700              | E37F401CPN472MDD0M  | 63.5 × 130                    | DD0            | 19                               | 15.3                                  | 18.3  | 21.4  |
|                                      | 4,700              | E37F401CPN472MDE3M  | 63.5 × 143                    | DE3            | 17                               | 16.8                                  | 20.1  | 23.5  |
|                                      | 3,900              | E37F401CPN392ME92M  | 76.2 × 92                     | E92            | 21                               | 14.3                                  | 17.2  | 20.0  |
|                                      | 5,600              | E37F401CPN562MEA5M  | 76.2 × 105                    | EA5            | 17                               | 16.4                                  | 19.6  | 22.9  |
|                                      | 5,600              | E37F401CPN562MEB7M  | 76.2 × 117                    | EB7            | 15                               | 18.4                                  | 22.0  | 25.7  |
|                                      | 8,200              | E37F401CPN822MEE3M  | 76.2 × 143                    | EE3            | 12                               | 22.3                                  | 26.8  | 31.3  |
|                                      | 10,000             | E37F401CPN103MEJ1M  | 76.2 × 181                    | EJ1            | 9                                | 28.2                                  | 33.8  | 39.5  |
|                                      | 12,000             | E37F401CPN123MEM9M  | 76.2 × 219                    | EM9            | 7                                | 34.0                                  | 40.8  | 47.6  |
|                                      | 5,600              | E37F401CPN562MF92M  | 89 × 92                       | F92            | 15                               | 18.6                                  | 22.3  | 26.1  |
|                                      | 6,800              | E37F401CPN682MFA5M  | 89 × 105                      | FA5            | 12                               | 21.2                                  | 25.5  | 29.7  |
|                                      | 8,200              | E37F401CPN822MFB7M  | 89 × 117                      | FB7            | 11                               | 23.8                                  | 28.6  | 33.4  |
|                                      | 10,000             | E37F401CPN103MFE3M  | 89 × 143                      | FE3            | 8                                | 28.9                                  | 34.7  | 40.5  |
|                                      | 12,000             | E37F401CPN123MFF5M  | 89 × 155                      | FF5            | 7                                | 31.4                                  | 37.7  | 44.0  |
| 15,000                               | E37F401CPN153MFK0M | 89 × 190            | FK0                           | 6              | 38.3                             | 45.9                                  | 53.6  |       |
| 18,000                               | E37F401CPN183MFM9M | 89 × 219            | FM9                           | 5              | 43.9                             | 52.7                                  | 61.5  |       |
| <b>420 Volts<br/>470 Volts Surge</b> | 2,700              | E37F421HPN272MCB7M  | 50 × 117                      | CB7            | 34                               | 9.8                                   | 11.7  | 13.7  |
|                                      | 3,300              | E37F421HPN332MCD0M  | 50 × 130                      | CD0            | 28                               | 11.2                                  | 13.4  | 15.7  |
|                                      | 2,700              | E37F421CPN272MD92M  | 63.5 × 92                     | D92            | 34                               | 10.1                                  | 12.1  | 14.1  |
|                                      | 3,300              | E37F421CPN332MDA5M  | 63.5 × 105                    | DA5            | 28                               | 11.7                                  | 14.0  | 16.3  |
|                                      | 3,900              | E37F421CPN392MDB7M  | 63.5 × 117                    | DB7            | 23                               | 13.2                                  | 15.8  | 18.5  |
|                                      | 3,900              | E37F421CPN392MDD0M  | 63.5 × 130                    | DD0            | 23                               | 13.7                                  | 16.4  | 19.1  |
|                                      | 4,700              | E37F421CPN472MDE3M  | 63.5 × 143                    | DE3            | 19                               | 15.5                                  | 18.6  | 21.8  |
|                                      | 3,900              | E37F421CPN392ME92M  | 76.2 × 92                     | E92            | 24                               | 13.2                                  | 15.8  | 18.4  |
|                                      | 4,700              | E37F421CPN472MEA5M  | 76.2 × 105                    | EA5            | 20                               | 15.1                                  | 18.1  | 21.1  |
|                                      | 5,600              | E37F421CPN562MEB7M  | 76.2 × 117                    | EB7            | 17                               | 17.1                                  | 20.5  | 24.0  |
|                                      | 6,800              | E37F421CPN682MEE3M  | 76.2 × 143                    | EE3            | 14                               | 20.2                                  | 24.3  | 28.3  |
|                                      | 10,000             | E37F421CPN103MEJ1M  | 76.2 × 181                    | EJ1            | 10                               | 26.8                                  | 32.2  | 37.5  |
|                                      | 12,000             | E37F421CPN123MEM9M  | 76.2 × 219                    | EM9            | 8                                | 31.7                                  | 38.0  | 44.4  |
|                                      | 5,600              | E37F421CPN562MF92M  | 89 × 92                       | F92            | 17                               | 17.3                                  | 20.8  | 24.2  |
|                                      | 6,800              | E37F421CPN682MFA5M  | 89 × 105                      | FA5            | 14                               | 19.9                                  | 23.8  | 27.8  |

† For terminal, mounting and construction options, refer to the part numbering system for descriptions and codes.

\* Refer to diagram of dimensions for detailed case size specifications.

# U37F New! Series

## Standard Voltage Ratings - Screw Terminals

| Rated Voltage (WVDC)                 | Capacitance (μF) | Global Part Number† | Nominal Case Size* D × L (mm) | Case Size Code | Maximum ESR (mΩ) at +25°C, 120Hz | Rated Ripple Current (A rms) at +85°C |       |       |
|--------------------------------------|------------------|---------------------|-------------------------------|----------------|----------------------------------|---------------------------------------|-------|-------|
|                                      |                  |                     |                               |                |                                  | 120Hz                                 | 300Hz | >3kHz |
| <b>420 Volts<br/>470 Volts Surge</b> | 8,200            | E37F421CPN822MFB7M  | 89 × 117                      | FB7            | 12                               | 22.7                                  | 27.2  | 31.7  |
|                                      | 10,000           | E37F421CPN103MFE3M  | 89 × 143                      | FE3            | 10                               | 26.8                                  | 32.1  | 37.5  |
|                                      | 12,000           | E37F421CPN123MFF5M  | 89 × 155                      | FF5            | 8                                | 30.3                                  | 36.3  | 42.4  |
|                                      | 15,000           | E37F421CPN153MFK0M  | 89 × 190                      | FK0            | 6                                | 36.5                                  | 43.8  | 51.1  |
|                                      | 18,000           | E37F421CPN183MFM9M  | 89 × 219                      | FM9            | 5                                | 42.2                                  | 50.7  | 59.1  |
| <b>450 Volts<br/>500 Volts Surge</b> | 2,700            | E37F451HPN272MCB7M  | 50 × 117                      | CB7            | 34                               | 9.8                                   | 11.7  | 13.7  |
|                                      | 2,700            | E37F451HPN272MCD0M  | 50 × 130                      | CD0            | 34                               | 10.1                                  | 12.1  | 14.2  |
|                                      | 2,200            | E37F451CPN222MD92M  | 63.5 × 92                     | D92            | 42                               | 9.1                                   | 10.9  | 12.8  |
|                                      | 2,700            | E37F451CPN272MDA5M  | 63.5 × 105                    | DA5            | 34                               | 10.5                                  | 12.7  | 14.8  |
|                                      | 3,300            | E37F451CPN332MDB7M  | 63.5 × 117                    | DB7            | 28                               | 12.1                                  | 14.6  | 17.0  |
|                                      | 3,900            | E37F451CPN392MDD0M  | 63.5 × 130                    | DD0            | 23                               | 13.7                                  | 16.4  | 19.1  |
|                                      | 4,700            | E37F451CPN472MDE3M  | 63.5 × 143                    | DE3            | 19                               | 15.5                                  | 18.6  | 21.8  |
|                                      | 3,900            | E37F451CPN392ME92M  | 76.2 × 92                     | E92            | 24                               | 13.2                                  | 15.8  | 18.4  |
|                                      | 4,700            | E37F451CPN472MEA5M  | 76.2 × 105                    | EA5            | 20                               | 15.1                                  | 18.1  | 21.1  |
|                                      | 5,600            | E37F451CPN562MEB7M  | 76.2 × 117                    | EB7            | 17                               | 17.1                                  | 20.5  | 24.0  |
|                                      | 6,800            | E37F451CPN682MEE3M  | 76.2 × 143                    | EE3            | 14                               | 20.2                                  | 24.3  | 28.3  |
|                                      | 8,200            | E37F451CPN822MEJ1M  | 76.2 × 181                    | EJ1            | 12                               | 24.3                                  | 29.1  | 34.0  |
|                                      | 12,000           | E37F451CPN123MEM9M  | 76.2 × 219                    | EM9            | 8                                | 31.7                                  | 38.0  | 44.4  |
|                                      | 5,600            | E37F451CPN562MF92M  | 89 × 92                       | F92            | 17                               | 17.3                                  | 20.8  | 24.2  |
|                                      | 6,800            | E37F451CPN682MFA5M  | 89 × 105                      | FA5            | 14                               | 19.9                                  | 23.8  | 27.8  |
|                                      | 6,800            | E37F451CPN682MFB7M  | 89 × 117                      | FB7            | 14                               | 20.6                                  | 24.8  | 28.9  |
|                                      | 8,200            | E37F451CPN822MFE3M  | 89 × 143                      | FE3            | 12                               | 24.3                                  | 29.1  | 34.0  |
|                                      | 12,000           | E37F451CPN123MFF5M  | 89 × 155                      | FF5            | 8                                | 30.2                                  | 36.3  | 42.3  |
|                                      | 15,000           | E37F451CPN153MFK0M  | 89 × 190                      | FK0            | 6                                | 36.5                                  | 43.8  | 51.1  |
|                                      | 15,000           | E37F451CPN153MFM9M  | 89 × 219                      | FM9            | 6                                | 38.6                                  | 46.3  | 54.0  |
| <b>500 Volts<br/>550 Volts Surge</b> | 1,500            | E37F501HPN152MCB7M  | 50 × 117                      | CB7            | 63                               | 7.2                                   | 8.6   | 10.1  |
|                                      | 1,800            | E37F501HPN182MCD0M  | 50 × 130                      | CD0            | 55                               | 8.0                                   | 9.6   | 11.2  |
|                                      | 1,800            | E37F501CPN182MD92M  | 63.5 × 92                     | D92            | 52                               | 8.2                                   | 9.8   | 11.5  |
|                                      | 2,200            | E37F501CPN222MDA5M  | 63.5 × 105                    | DA5            | 43                               | 9.4                                   | 11.2  | 13.1  |
|                                      | 2,700            | E37F501CPN272MDB7M  | 63.5 × 117                    | DB7            | 37                               | 10.5                                  | 12.6  | 14.7  |
|                                      | 3,300            | E37F501CPN332MDD0M  | 63.5 × 130                    | DD0            | 32                               | 11.7                                  | 14.0  | 16.3  |
|                                      | 3,300            | E37F501CPN332MDE3M  | 63.5 × 143                    | DE3            | 29                               | 12.8                                  | 15.4  | 17.9  |
|                                      | 2,700            | E37F501CPN272ME92M  | 76.2 × 92                     | E92            | 36                               | 10.9                                  | 13.1  | 15.3  |
|                                      | 3,300            | E37F501CPN332MEA5M  | 76.2 × 105                    | EA5            | 30                               | 12.5                                  | 15.0  | 17.5  |
|                                      | 3,900            | E37F501CPN392MEB7M  | 76.2 × 117                    | EB7            | 25                               | 14.0                                  | 16.8  | 19.6  |
|                                      | 5,600            | E37F501CPN562MEE3M  | 76.2 × 143                    | EE3            | 20                               | 17.1                                  | 20.5  | 23.9  |
|                                      | 6,800            | E37F501CPN682MEJ1M  | 76.2 × 181                    | EJ1            | 15                               | 21.5                                  | 25.8  | 30.1  |
|                                      | 8,200            | E37F501CPN822MEM9M  | 76.2 × 219                    | EM9            | 12                               | 26.0                                  | 31.2  | 36.3  |
|                                      | 3,900            | E37F501CPN392MF92M  | 89 × 92                       | F92            | 25                               | 14.2                                  | 17.1  | 19.9  |
|                                      | 4,700            | E37F501CPN472MFA5M  | 89 × 105                      | FA5            | 21                               | 16.2                                  | 19.5  | 22.7  |
|                                      | 5,600            | E37F501CPN562MFB7M  | 89 × 117                      | FB7            | 18                               | 18.2                                  | 21.8  | 25.5  |
|                                      | 6,800            | E37F501CPN682MFE3M  | 89 × 143                      | FE3            | 14                               | 22.1                                  | 26.5  | 30.9  |
|                                      | 8,200            | E37F501CPN822MFF5M  | 89 × 155                      | FF5            | 13                               | 24.0                                  | 28.8  | 33.6  |
|                                      | 10,000           | E37F501CPN103MFK0M  | 89 × 190                      | FK0            | 10                               | 29.2                                  | 35.1  | 40.9  |
|                                      | 12,000           | E37F501CPN123MFM9M  | 89 × 219                      | FM9            | 8                                | 33.5                                  | 40.2  | 46.9  |

†For terminal, mounting and construction options, refer to the part numbering system for descriptions and codes.

\*Refer to diagram of dimensions for detailed case size specifications.



## Стандарт Электрон Связь

Мы молодая и активно развивающаяся компания в области поставок электронных компонентов. Мы поставляем электронные компоненты отечественного и импортного производства напрямую от производителей и с крупнейших складов мира.

Благодаря сотрудничеству с мировыми поставщиками мы осуществляем комплексные и плановые поставки широчайшего спектра электронных компонентов.

Собственная эффективная логистика и склад в обеспечивает надежную поставку продукции в точно указанные сроки по всей России.

Мы осуществляем техническую поддержку нашим клиентам и предпродажную проверку качества продукции. На все поставляемые продукты мы предоставляем гарантию .

Осуществляем поставки продукции под контролем ВП МО РФ на предприятия военно-промышленного комплекса России , а также работаем в рамках 275 ФЗ с открытием отдельных счетов в уполномоченном банке. Система менеджмента качества компании соответствует требованиям ГОСТ ISO 9001.

Минимальные сроки поставки, гибкие цены, неограниченный ассортимент и индивидуальный подход к клиентам являются основой для выстраивания долгосрочного и эффективного сотрудничества с предприятиями радиоэлектронной промышленности, предприятиями ВПК и научно-исследовательскими институтами России.

С нами вы становитесь еще успешнее!

### Наши контакты:

**Телефон:** +7 812 627 14 35

**Электронная почта:** [sales@st-electron.ru](mailto:sales@st-electron.ru)

**Адрес:** 198099, Санкт-Петербург,  
Промышленная ул, дом № 19, литера Н,  
помещение 100-Н Офис 331