

N-channel 1050 V, 1  $\Omega$  typ., 6 A MDmesh™ K5  
Power MOSFETs in TO-220, TO-220FP and TO-247 packages

Datasheet - production data

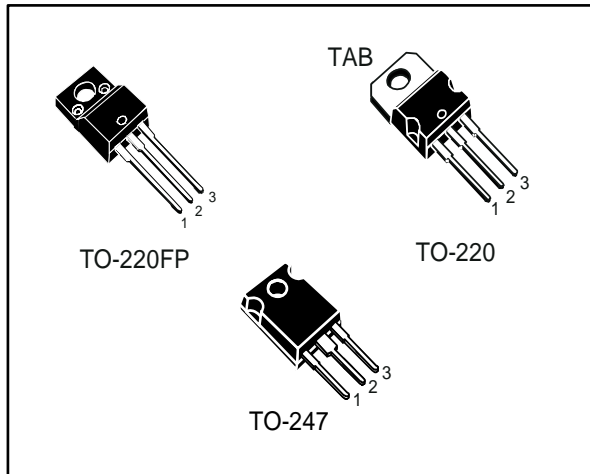
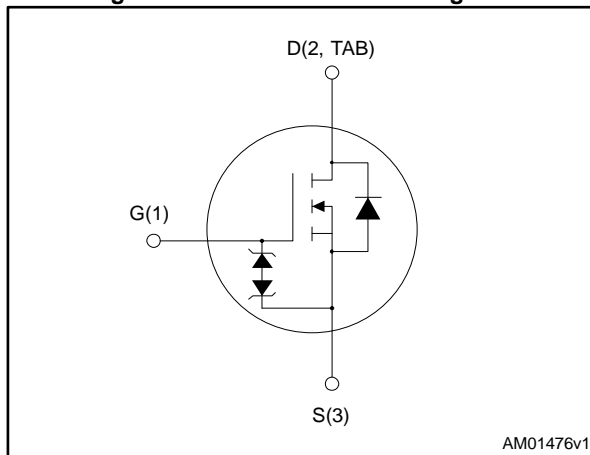


Figure 1: Internal schematic diagram



## Features

Order codes	V <sub>DS</sub>	R <sub>DS(on)</sub> max.	I <sub>D</sub>	P <sub>TOT</sub>
STF10N105K5	1050 V	1.3 $\Omega$	6 A	30 W
STP10N105K5				130 W
STW10N105K5				130 W

- Industry's lowest R<sub>DS(on)</sub>
- Industry's best figure of merit (FoM)
- Ultra low gate charge
- 100% avalanche tested
- Zener-protected

## Applications

- Switching applications

## Description

These very high voltage N-channel Power MOSFETs are designed using MDmesh™ K5 technology based on an innovative proprietary vertical structure. The result is a dramatic reduction in on-resistance and ultra-low gate charge for applications requiring superior power density and high efficiency.

Table 1: Device summary

Order codes	Marking	Package	Packaging
STF10N105K5	10N105K5	TO-220FP	Tube
STP10N105K5	10N105K5	TO-220	Tube
STW10N105K5	10N105K5	TO-247	Tube

---

**Contents**

<b>1</b>	<b>Electrical ratings .....</b>	<b>3</b>
<b>2</b>	<b>Electrical characteristics .....</b>	<b>4</b>
	2.1 Electrical characteristics (curves).....	6
<b>3</b>	<b>Test circuits .....</b>	<b>9</b>
<b>4</b>	<b>Package mechanical data .....</b>	<b>10</b>
	4.1 TO-220 package mechanical data .....	11
	4.2 TO-247 package mechanical data .....	13
	4.3 TO-220FP package mechanical data.....	15
<b>5</b>	<b>Revision history .....</b>	<b>17</b>

# 1 Electrical ratings

**Table 2: Absolute maximum ratings**

Symbol	Parameter	Value			Unit
		TO-220	TO-247	TO-220FP	
$V_{GS}$	Gate- source voltage	30			V
$I_D$	Drain current (continuous) at $T_C = 25\text{ °C}$	6			A
$I_D$	Drain current (continuous) at $T_C = 100\text{ °C}$	3.78			A
$I_{DM}^{(1)}$	Drain current (pulsed)	24			A
$P_{TOT}$	Total dissipation at $T_C = 25\text{ °C}$	130		30	W
$I_{AR}$	Max. current during repetitive or single pulse avalanche	2			A
$E_{AS}$	Single pulse avalanche energy (starting $T_J = 25\text{ °C}$ , $I_D = I_{AS}$ , $V_{DD} = 50\text{ V}$ )	140			mJ
$dv/dt^{(2)}$	Peak diode recovery voltage slope	4.5			V/ns
$dv/dt^{(3)}$	MOSFET $dv/dt$ ruggedness	50			V/ns
$V_{ISO}$	Insulation withstand voltage (RMS) from all three leads to external heatsink ( $t = 1\text{ s}$ ; $T_C = 25\text{ °C}$ )			2500	V
$T_j$ $T_{stg}$	Operating junction temperature Storage temperature	-55 to 150			°C

**Notes:**

<sup>(1)</sup>Pulse width limited by safe operating area.

<sup>(2)</sup> $I_{SD} \leq 6\text{ A}$ ,  $di/dt \leq 100\text{ A}/\mu\text{s}$ ,  $V_{peak} \leq V_{(BR)DSS}$ .

<sup>(3)</sup> $V_{SD} \leq 840$ .

**Table 3: Thermal data**

Symbol	Parameter	Value			Unit
		TO-220	TO-247	TO-220FP	
$R_{thj-case}$	Thermal resistance junction-case max.	0.96			°C/W
	Thermal resistance junction-case max.			4.2	
$R_{thj-amb}$	Thermal resistance junction-ambient max.	62.50			°C/W

## 2 Electrical characteristics

( $T_{\text{case}} = 25\text{ °C}$  unless otherwise specified)

**Table 4: On /off states**

Symbol	Parameter	Test conditions	Min.	Typ.	Max.	Unit
$V_{(BR)DSS}$	Drain-source breakdown voltage	$I_D = 1\text{ mA}$ , $V_{GS} = 0$	1050			V
$I_{DSS}$	Zero gate voltage, drain current ( $V_{GS} = 0$ )	$V_{DS} = 1050\text{ V}$			1	$\mu\text{A}$
		$V_{DS} = 1050\text{ V}$ , $T_C = 125\text{ °C}$			50	$\mu\text{A}$
$I_{GSS}$	Gate-body leakage current	$V_{GS} = \pm 20\text{ V}$ ; $V_{DS} = 0$			10	$\mu\text{A}$
$V_{GS(th)}$	Gate threshold voltage	$V_{DS} = V_{GS}$ , $I_D = 100\text{ }\mu\text{A}$	3	4	5	V
$R_{DS(on)}$	Static drain-source on- resistance	$V_{GS} = 10\text{ V}$ , $I_D = 3\text{ A}$		1	1.3	$\Omega$

**Table 5: Dynamic**

Symbol	Parameter	Test conditions	Min.	Typ.	Max.	Unit
$C_{iss}$	Input capacitance	$V_{DS} = 100\text{ V}$ , $f = 1\text{ MHz}$ , $V_{GS} = 0$		545		$\mu\text{F}$
$C_{oss}$	Output capacitance			30		$\mu\text{F}$
$C_{riss}$	Reverse transfer capacitance			1.3		$\mu\text{F}$
$C_{o(tr)}^{(1)}$	Equivalent capacitance time related	$V_{GS} = 0$ , $V_{DS} = 0$ to $840\text{ V}$	-	65	-	$\mu\text{F}$
$C_{o(er)}^{(2)}$	Equivalent capacitance energy related			22		$\mu\text{F}$
$R_G$	Intrinsic gate resistance			$f = 1\text{ MHz}$ open drain		7
$Q_g$	Total gate charge	$V_{DD} = 840\text{ V}$ , $I_D = 6\text{ A}$ $V_{GS} = 10\text{ V}$		21.5		nC
$Q_{gs}$	Gate-source charge			3.3		nC
$Q_{gd}$	Gate-drain charge			15.5		nC

**Notes:**

<sup>(1)</sup>Time related is defined as a constant equivalent capacitance giving the same charging time as  $C_{oss}$  when  $V_{DS}$  increases from 0 to 80%  $V_{DSS}$ .

<sup>(2)</sup>Energy related is defined as a constant equivalent capacitance giving the same stored energy as  $C_{oss}$  when  $V_{DS}$  increases from 0 to 80%  $V_{DSS}$ .

**Table 6: Switching times**

Symbol	Parameter	Test conditions	Min.	Typ.	Max.	Unit
$t_{d(on)}$	Turn-on delay time	$V_{DD} = 525\text{ V}$ , $I_D = 3\text{ A}$ , $R_G = 4.7\text{ }\Omega$ , $V_{GS} = 10\text{ V}$	-	19	-	ns
$t_r$	Rise time			8		ns
$t_{d(off)}$	Turn-off-delay time			50		ns
$t_f$	Fall time			21.5		ns

Table 7: Source-drain diode

Symbol	Parameter	Test conditions	Min.	Typ.	Max.	Unit
$I_{SD}$	Source-drain current				6	A
$I_{SDM}^{(1)}$	Source-drain current (pulsed)				24	A
$V_{SD}^{(2)}$	Forward on voltage	$I_{SD} = 6 \text{ A}, V_{GS} = 0$			1.5	V
$t_{rr}$	Reverse recovery time	$I_{SD} = 6 \text{ A}, di/dt = 100 \text{ A}/\mu\text{s}$ $V_{DD} = 60 \text{ V}$	-	345		ns
$Q_{rr}$	Reverse recovery charge			3.53		$\mu\text{C}$
$I_{RRM}$	Reverse recovery current			20.5		A
$t_{rr}$	Reverse recovery time	$I_{SD} = 6 \text{ A}, di/dt = 100 \text{ A}/\mu\text{s}$ $V_{DD} = 60 \text{ V } T_J = 150 \text{ }^\circ\text{C}$		540		ns
$Q_{rr}$	Reverse recovery charge			5.05		$\mu\text{C}$
$I_{RRM}$	Reverse recovery current			18.5		A

**Notes:**

<sup>(1)</sup>Pulse width limited by safe operating area.

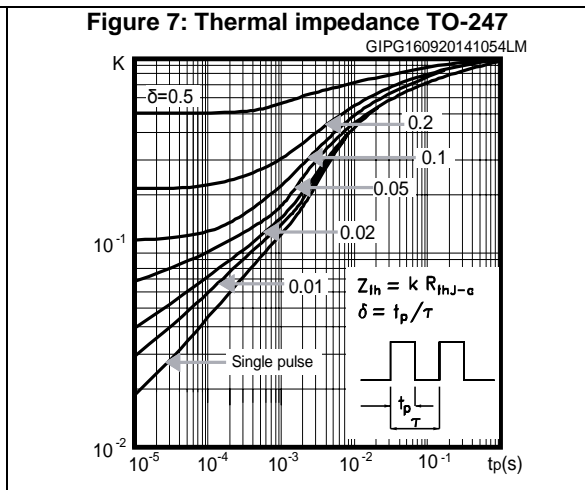
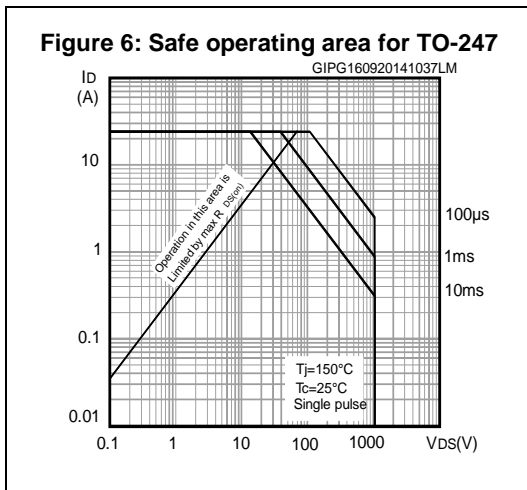
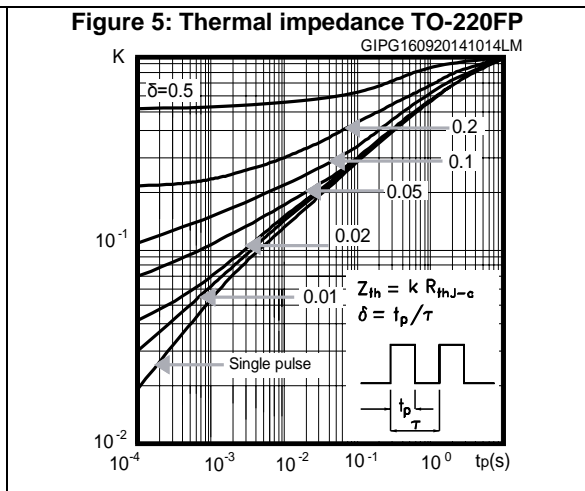
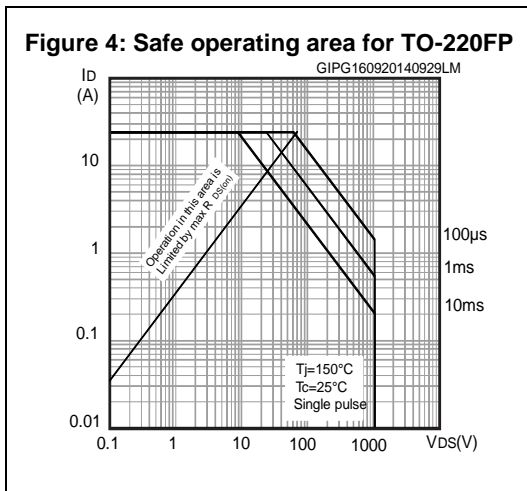
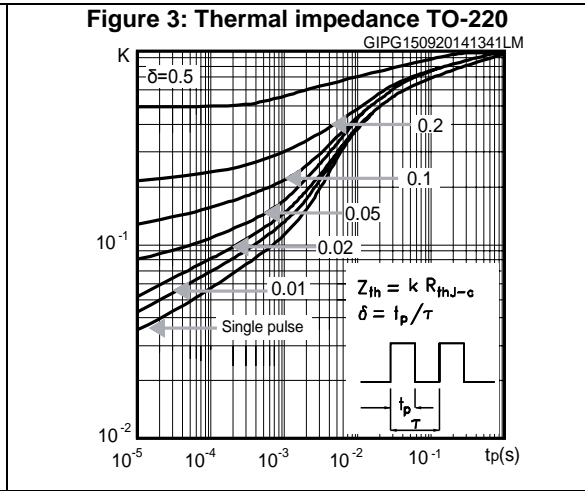
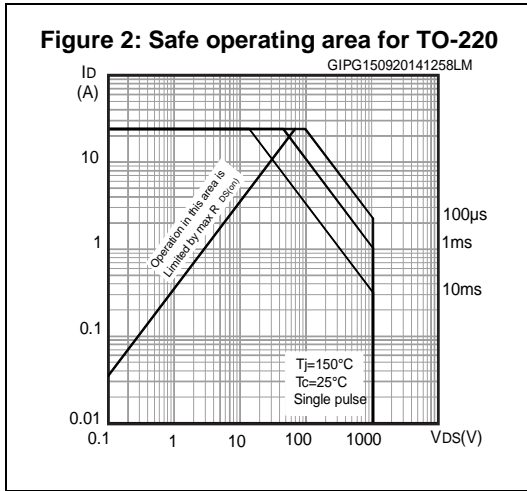
<sup>(2)</sup>Pulsed: pulse duration = 300  $\mu\text{s}$ , duty cycle 1.5%.

Table 8: Gate-source Zener diode

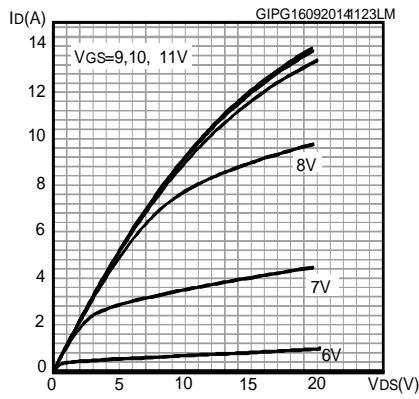
Symbol	Parameter	Test conditions	Min.	Typ.	Max.	Unit
$V_{(BR)GSO}$	Gate-source breakdown voltage	$I_{GS} = \pm 1 \text{ mA}, I_D = 0$	30	-	-	V

The built-in back-to-back Zener diodes have been specifically designed to enhance the ESD capability of the device. The Zener voltage is appropriate for efficient and cost-effective intervention to protect the device integrity. These integrated Zener diodes thus eliminate the need for external components.

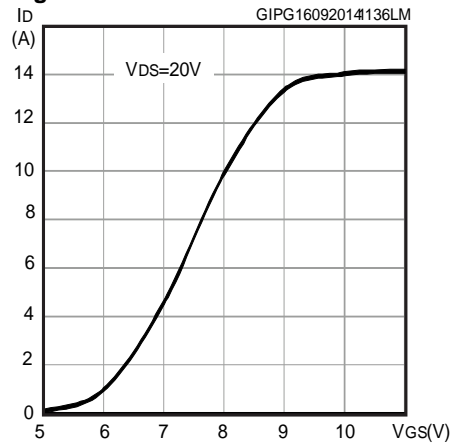
2.1 Electrical characteristics (curves)



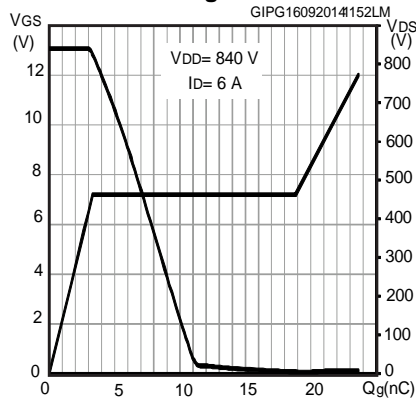
**Figure 8: Output characteristics**



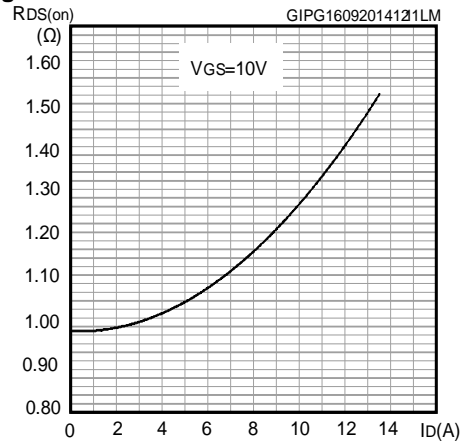
**Figure 9: Transfer characteristics**



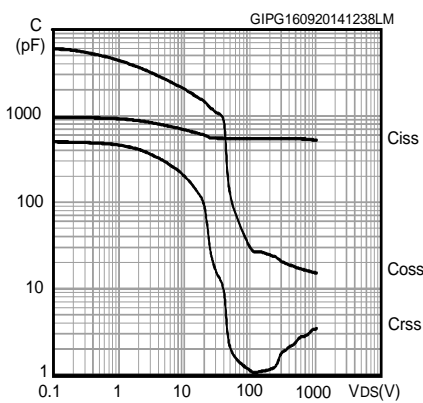
**Figure 10: Gate charge vs gate-source voltage**



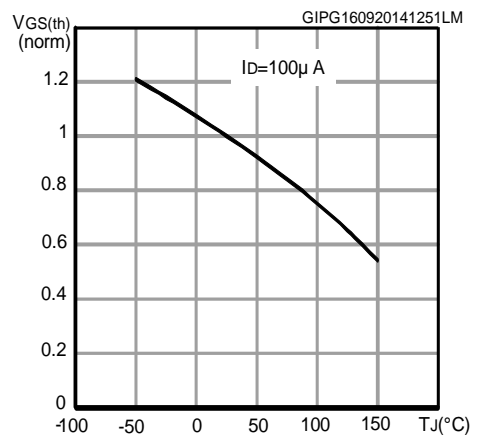
**Figure 11: Static drain-source on-resistance**



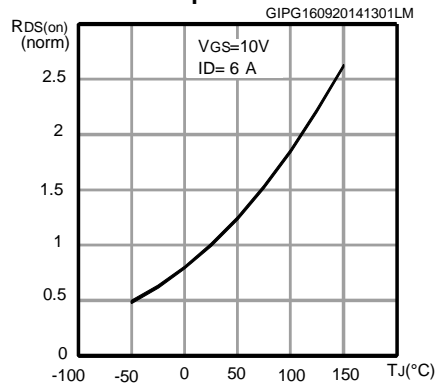
**Figure 12: Capacitance variation**



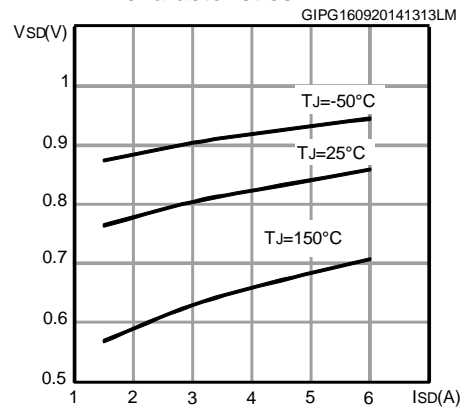
**Figure 13: Normalized gate threshold voltage vs temperature**



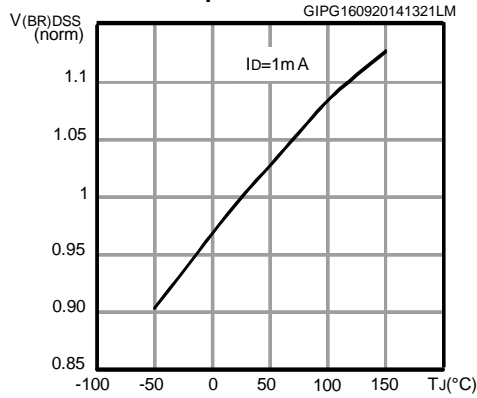
**Figure 14: Normalized on-resistance vs temperature**



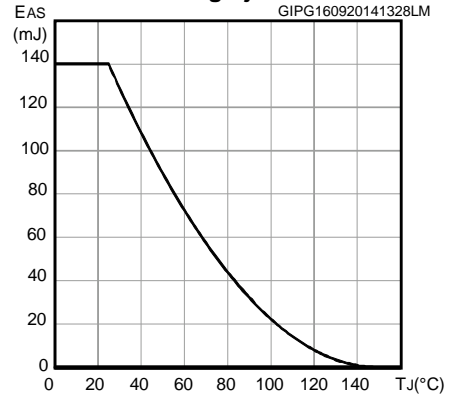
**Figure 15: Source-drain diode forward characteristics**



**Figure 16: Normalized VBR(DSS) vs temperature**

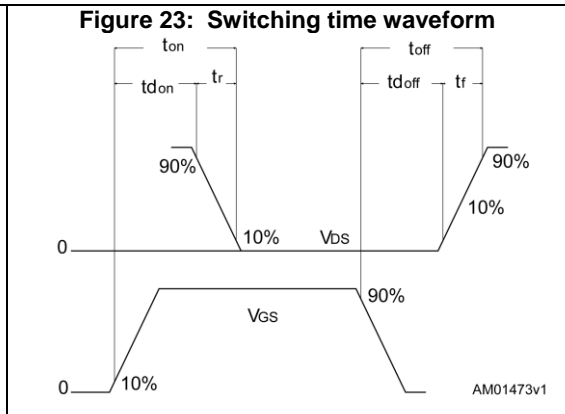
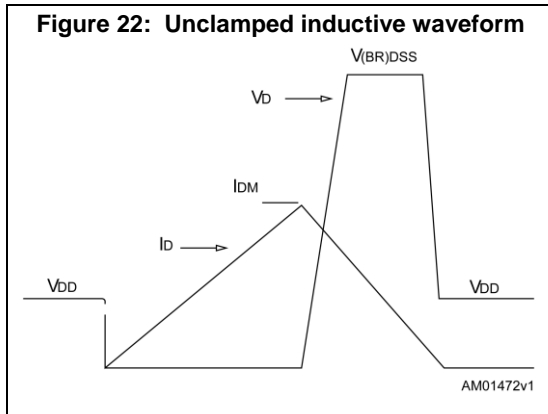
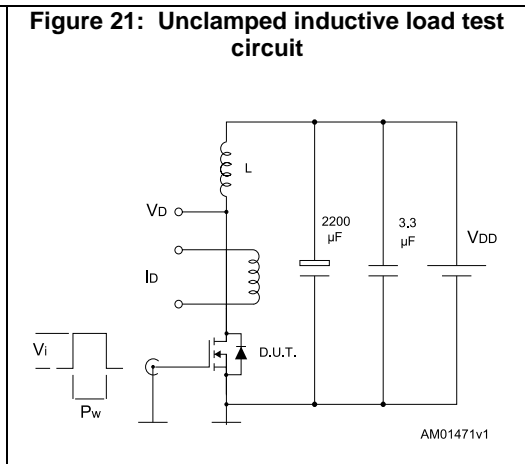
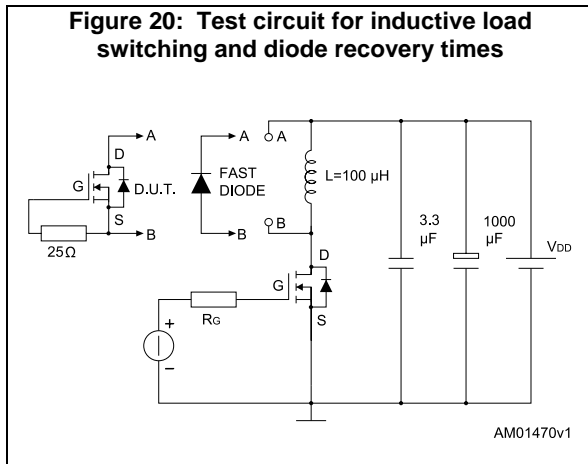
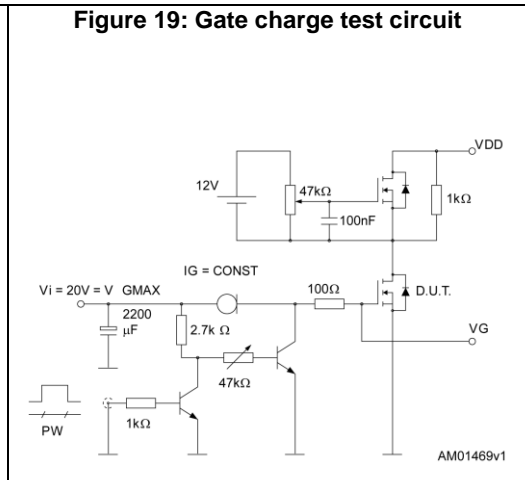
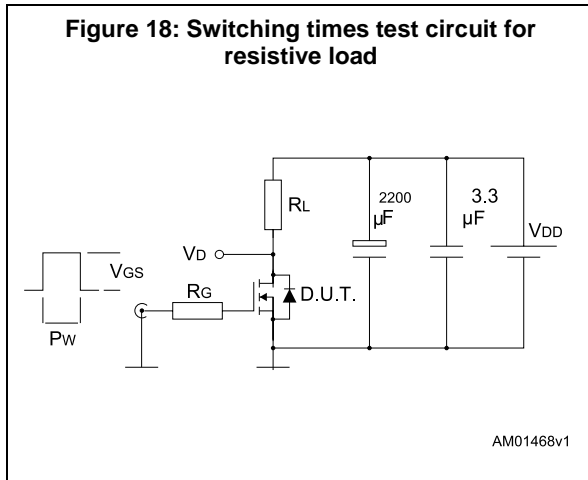


**Figure 17: Maximum avalanche energy vs starting Tj**





### 3 Test circuits



## 4 Package mechanical data

In order to meet environmental requirements, ST offers these devices in different grades of ECOPACK<sup>®</sup> packages, depending on their level of environmental compliance. ECOPACK<sup>®</sup> specifications, grade definitions and product status are available at: [www.st.com](http://www.st.com). ECOPACK<sup>®</sup> is an ST trademark.

### 4.1 TO-220 package mechanical data

Figure 24: TO-220 type A drawings

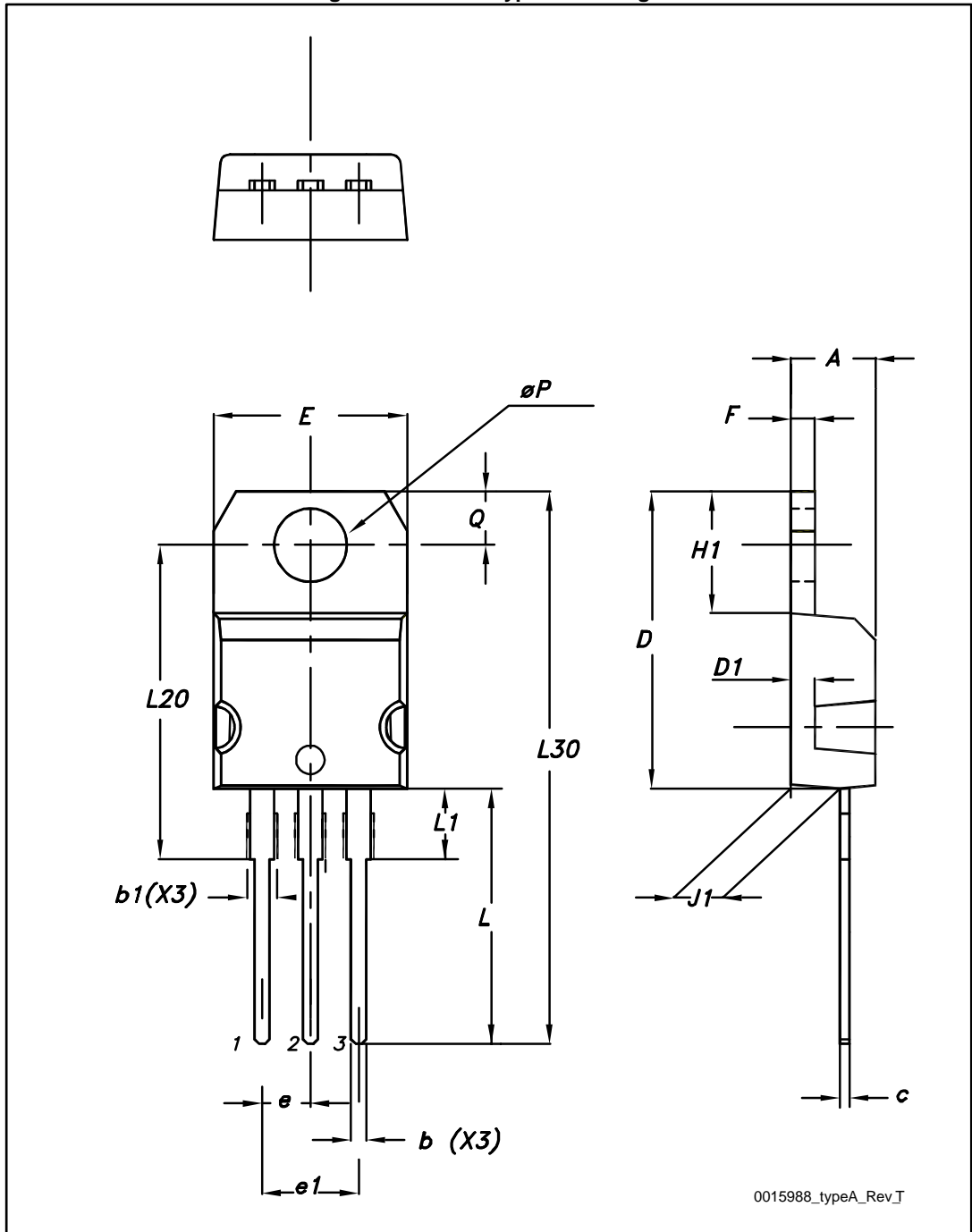
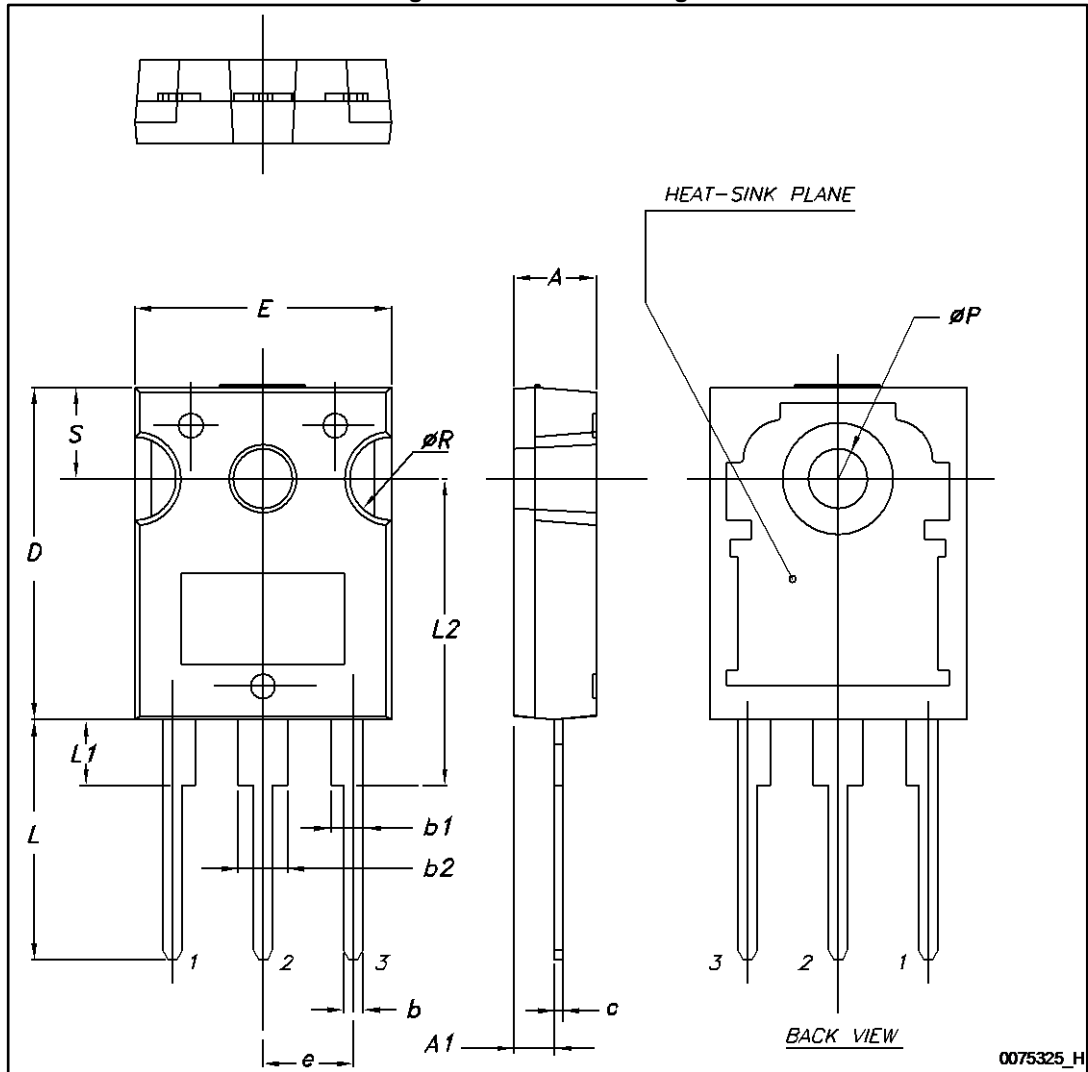


Table 9: TO-220 type A mechanical data

Dim.	mm		
	Min.	Typ.	Max.
A	4.40		4.60
b	0.61		0.88
b1	1.14		1.70
c	0.48		0.70
D	15.25		15.75
D1		1.27	
E	10		10.40
e	2.40		2.70
e1	4.95		5.15
F	1.23		1.32
H1	6.20		6.60
J1	2.40		2.72
L	13		14
L1	3.50		3.93
L20		16.40	
L30		28.90	
øP	3.75		3.85
Q	2.65		2.95

4.2 TO-247 package mechanical data

Figure 25: TO-247 drawings



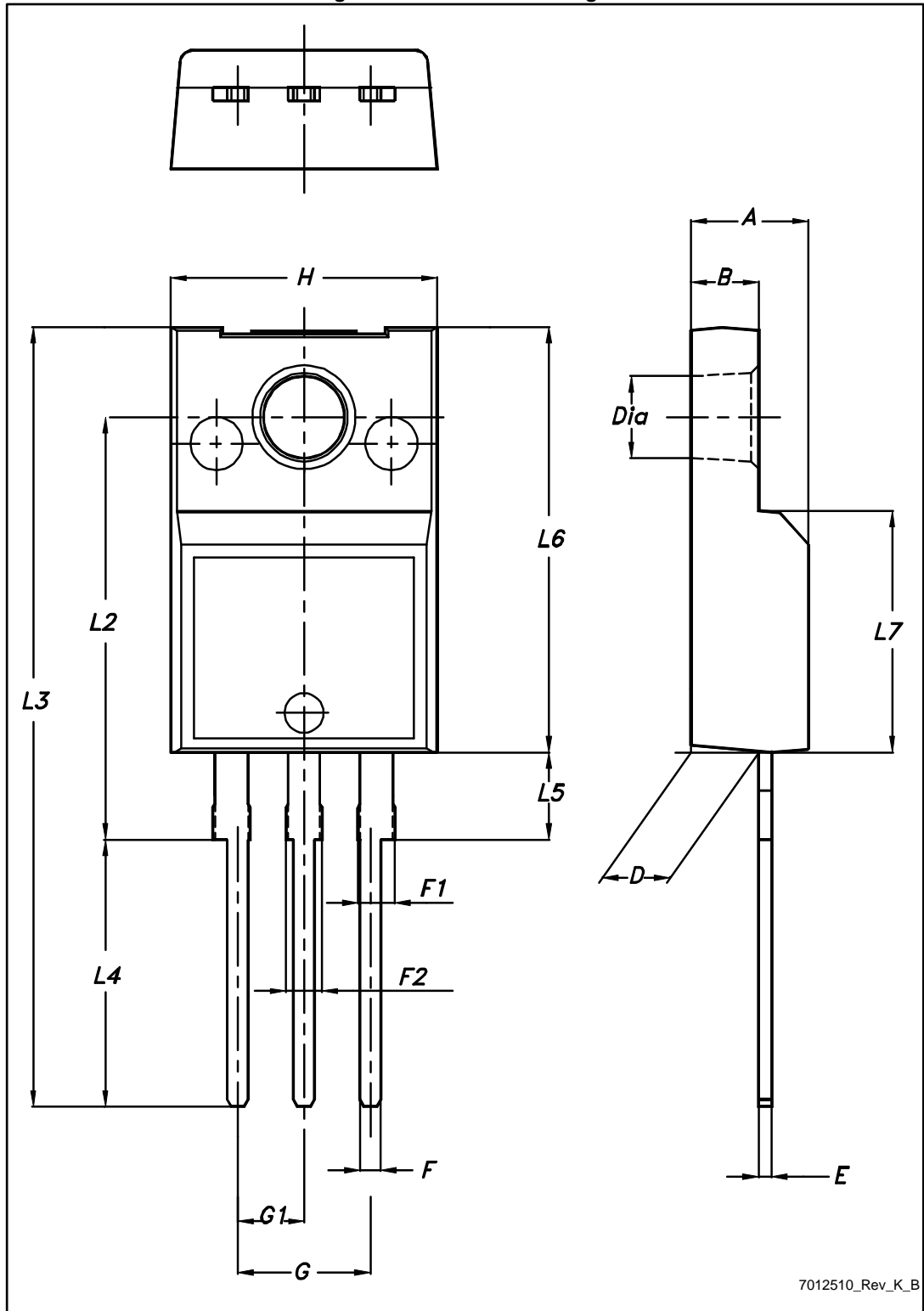
0075325\_H

Table 10: TO-247 mechanical data

Dim.	mm		
	Min.	Typ.	Max.
A	4.85		5.15
A1	2.20		2.60
b	1.0		1.40
b1	2.0		2.40
b2	3.0		3.40
c	0.40		0.80
D	19.85		20.15
E	15.45		15.75
e	5.30	5.45	5.60
L	14.20		14.80
L1	3.70		4.30
L2		18.50	
øP	3.55		3.65
øR	4.50		5.50
S	5.30	5.50	5.70

### 4.3 TO-220FP package mechanical data

Figure 26: TO-220FP drawings



7012510\_Rev\_K\_B

Table 11: TO-220FP mechanical data

Dim.	mm		
	Min.	Typ.	Max.
A	4.4		4.6
B	2.5		2.7
D	2.5		2.75
E	0.45		0.7
F	0.75		1
F1	1.15		1.70
F2	1.15		1.70
G	4.95		5.2
G1	2.4		2.7
H	10		10.4
L2		16	
L3	28.6		30.6
L4	9.8		10.6
L5	2.9		3.6
L6	15.9		16.4
L7	9		9.3
Ø	3		3.2



## 5 Revision history

Table 12: Document revision history

Date	Revision	Changes
07-Oct-2014	1	First release.
14-Oct-2014	2	Document status promoted from preliminary to production data.

**IMPORTANT NOTICE – PLEASE READ CAREFULLY**

STMicroelectronics NV and its subsidiaries ("ST") reserve the right to make changes, corrections, enhancements, modifications, and improvements to ST products and/or to this document at any time without notice. Purchasers should obtain the latest relevant information on ST products before placing orders. ST products are sold pursuant to ST's terms and conditions of sale in place at the time of order acknowledgement.

Purchasers are solely responsible for the choice, selection, and use of ST products and ST assumes no liability for application assistance or the design of Purchasers' products.

No license, express or implied, to any intellectual property right is granted by ST herein.

Resale of ST products with provisions different from the information set forth herein shall void any warranty granted by ST for such product.

ST and the ST logo are trademarks of ST. All other product or service names are the property of their respective owners.

Information in this document supersedes and replaces information previously supplied in any prior versions of this document.

© 2014 STMicroelectronics – All rights reserved



## Стандарт Электрон Связь

Мы молодая и активно развивающаяся компания в области поставок электронных компонентов. Мы поставляем электронные компоненты отечественного и импортного производства напрямую от производителей и с крупнейших складов мира.

Благодаря сотрудничеству с мировыми поставщиками мы осуществляем комплексные и плановые поставки широчайшего спектра электронных компонентов.

Собственная эффективная логистика и склад в обеспечивает надежную поставку продукции в точно указанные сроки по всей России.

Мы осуществляем техническую поддержку нашим клиентам и предпродажную проверку качества продукции. На все поставляемые продукты мы предоставляем гарантию .

Осуществляем поставки продукции под контролем ВП МО РФ на предприятия военно-промышленного комплекса России , а также работаем в рамках 275 ФЗ с открытием отдельных счетов в уполномоченном банке. Система менеджмента качества компании соответствует требованиям ГОСТ ISO 9001.

Минимальные сроки поставки, гибкие цены, неограниченный ассортимент и индивидуальный подход к клиентам являются основой для выстраивания долгосрочного и эффективного сотрудничества с предприятиями радиоэлектронной промышленности, предприятиями ВПК и научно-исследовательскими институтами России.

С нами вы становитесь еще успешнее!

### Наши контакты:

**Телефон:** +7 812 627 14 35

**Электронная почта:** [sales@st-electron.ru](mailto:sales@st-electron.ru)

**Адрес:** 198099, Санкт-Петербург,  
Промышленная ул, дом № 19, литера Н,  
помещение 100-Н Офис 331