



## Precision, 200- $\mu$ A Supply Current, 2.7-V to 36-V Supply Instrumentation Amplifier with Rail-to-Rail Output

Check for Samples: [INA826](#)

### FEATURES

- **Input Common-Mode Range:** Includes  $V^-$
- **Common-Mode Rejection:**
  - 104 dB, min ( $G = 10$ )
  - 100 dB, min at 5 kHz ( $G = 10$ )
- **Power-Supply Rejection:** 100 dB, min ( $G = 1$ )
- **Low Offset Voltage:** 150  $\mu$ V, max
- **Gain Drift:** 1 ppm/ $^{\circ}$ C ( $G = 1$ ), 35 ppm/ $^{\circ}$ C ( $G > 1$ )
- **Noise:** 18 nV/ $\sqrt{\text{Hz}}$ ,  $G \geq 100$
- **Bandwidth:** 1 MHz ( $G = 1$ ), 60 kHz ( $G = 100$ )
- **Inputs Protected up to  $\pm 40$  V**
- **Rail-to-Rail Output**
- **Supply Current:** 200  $\mu$ A
- **Supply Range:**
  - **Single Supply:** +2.7 V to +36 V
  - **Dual Supply:**  $\pm 1.35$  V to  $\pm 18$  V
- **Specified Temperature Range:**  $-40^{\circ}$ C to  $+125^{\circ}$ C
- **Packages:** MSOP-8, SO-8 and DFN-8

### APPLICATIONS

- Industrial Process Controls
- Circuit Breakers
- Battery Testers
- ECG Amplifiers
- Power Automation
- Medical Instrumentation
- Portable Instrumentation

### DESCRIPTION

The INA826 is a low-cost instrumentation amplifier that offers extremely low power consumption and operates over a very wide single or dual supply range. A single external resistor sets any gain from 1 to 1000. It offers excellent stability over temperature, even at  $G > 1$ , as a result of the low gain drift of only 35 ppm/ $^{\circ}$ C (max).

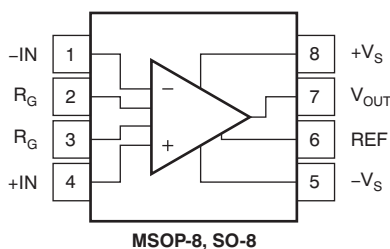
The INA826 is optimized to provide excellent common-mode rejection ratio of over 100 dB ( $G = 10$ ) over frequencies up to 5 kHz. In  $G = 1$ , the common-mode rejection ratio exceeds 84 dB across the full input common-mode range from the negative supply all the way up to 1 V of the positive supply. Using a rail-to-rail output, the INA826 is well-suited for low voltage operation from a 2.7 V single supply as well as dual supplies up to  $\pm 18$  V.

Additional circuitry protects the inputs against overvoltage of up to  $\pm 40$  V beyond the power supplies by limiting the input currents to less than 8 mA.

The INA826 is available in SO-8, MSOP-8, and tiny 3-mm  $\times$  3-mm DFN-8 surface-mount packages. All versions are specified for the  $-40^{\circ}$ C to  $+125^{\circ}$ C temperature range.

### RELATED PRODUCTS

DEVICE	DESCRIPTION
<a href="#">INA333</a>	25- $\mu$ V $V_{OS}$ , 0.1 $\mu$ V/ $^{\circ}$ C $V_{OS}$ drift, 1.8-V to 5-V, RRO, 50- $\mu$ A $I_Q$ , chopper-stabilized INA
<a href="#">PGA280</a>	20-mV to $\pm 10$ -V programmable gain IA with 3-V or 5-V differential output; analog supply up to $\pm 18$ V
<a href="#">INA159</a>	$G = 0.2$ V differential amplifier for $\pm 10$ -V to 3-V and 5-V conversion
<a href="#">PGA112</a>	Precision programmable gain op amp with SPI <sup>™</sup> interface



Please be aware that an important notice concerning availability, standard warranty, and use in critical applications of Texas Instruments semiconductor products and disclaimers thereto appears at the end of this data sheet.

SPI is a trademark of Motorola.

PhotoMOS is a registered trademark of Panasonic Electric Works Europe AG.

All other trademarks are the property of their respective owners.



This integrated circuit can be damaged by ESD. Texas Instruments recommends that all integrated circuits be handled with appropriate precautions. Failure to observe proper handling and installation procedures can cause damage.

ESD damage can range from subtle performance degradation to complete device failure. Precision integrated circuits may be more susceptible to damage because very small parametric changes could cause the device not to meet its published specifications.

### PACKAGE/ORDERING INFORMATION<sup>(1)</sup>

PRODUCT	PACKAGE-LEAD	PACKAGE DESIGNATOR	PACKAGE MARKING
INA826	MSOP-8	DGK	IPDI
	SO-8	D	I826
	DFN-8	DRG	IPEI

(1) For the most current package and ordering information, see the Package Option Addendum at the end of this document, or visit the device product folder at [www.ti.com](http://www.ti.com).

### ABSOLUTE MAXIMUM RATINGS<sup>(1)</sup>

		INA826	UNIT
Supply voltage		±20	V
Input voltage range		$(-V_S) - 40$ to $(+V_S) + 40$	V
REF input		±20	V
Output short-circuit <sup>(2)</sup>		Continuous	
Operating temperature range, $T_A$		-50 to +150	°C
Storage temperature range, $T_A$		-65 to +150	°C
Junction temperature, $T_J$		+175	°C
ESD rating	Human body model (HBM)	2500	V
	Charged device model (CDM)	1500	V
	Machine model (MM)	150	V

(1) Stresses above these ratings may cause permanent damage. Exposure to absolute maximum conditions for extended periods may degrade device reliability. These are stress ratings only, and functional operation of the device at these or any other conditions beyond those specified is not implied.

(2) Short-circuit to  $V_S/2$ .

## ELECTRICAL CHARACTERISTICS

At  $T_A = +25^\circ\text{C}$ ,  $V_S = \pm 15\text{ V}$ ,  $R_L = 10\text{ k}\Omega$ ,  $V_{REF} = 0\text{ V}$ , and  $G = 1$ , unless otherwise noted.

PARAMETER	TEST CONDITIONS	INA826			UNIT
		MIN	TYP	MAX	
<b>INPUT</b>					
$V_{OSI}$ Input stage offset voltage <sup>(1)</sup>	RTI		40	150	$\mu\text{V}$
	vs temperature, $T_A = -40^\circ\text{C}$ to $+125^\circ\text{C}$		0.4	2	$\mu\text{V}/^\circ\text{C}$
$V_{OSO}$ Output stage offset voltage <sup>(1)</sup>	RTI		200	700	$\mu\text{V}$
	vs temperature, $T_A = -40^\circ\text{C}$ to $+125^\circ\text{C}$		2	10	$\mu\text{V}/^\circ\text{C}$
PSRR Power supply rejection	$G = 1$ , RTI	100	124		dB
	$G = 10$ , RTI	115	130		dB
	$G = 100$ , RTI	120	140		dB
	$G = 1000$ , RTI	120	140		dB
$Z_{IN}$ Differential impedance			20    1		$\text{G}\Omega$    $\text{pF}$
$Z_{IN}$ Common-mode impedance			10    5		$\text{G}\Omega$    $\text{pF}$
	RFI filter, -3-dB frequency		20		MHz
$V_{CM}$ Operating input range <sup>(2)</sup>	$V_S = \pm 1.35\text{ V}$ to $\pm 18\text{ V}$ , $T_A = -40^\circ\text{C}$ to $+125^\circ\text{C}$		V-	(V+) - 1	V
	Input overvoltage range	$T_A = -40^\circ\text{C}$ to $+125^\circ\text{C}$			$\pm 40$
CMRR Common-mode rejection	DC to 60 Hz, RTI	$G = 1$ , $V_{CM} = (V-) \text{ to } (V+) - 1\text{ V}$	84	95	dB
		$G = 10$ , $V_{CM} = (V-) \text{ to } (V+) - 1\text{ V}$	104	115	dB
		$G = 100$ , $V_{CM} = (V-) \text{ to } (V+) - 1\text{ V}$	120	130	dB
		$G = 1000$ , $V_{CM} = (V-) \text{ to } (V+) - 1\text{ V}$	120	130	dB
	At 5 kHz, RTI	$G = 1$ , $V_{CM} = (V-) \text{ to } (V+) - 1\text{ V}$ , $T_A = -40^\circ\text{C}$ to $+125^\circ\text{C}$	80		dB
		$G = 1$ , $V_{CM} = (V-) \text{ to } (V+) - 1\text{ V}$	84		dB
		$G = 10$ , $V_{CM} = (V-) \text{ to } (V+) - 1\text{ V}$	100		dB
		$G = 100$ , $V_{CM} = (V-) \text{ to } (V+) - 1\text{ V}$	105		dB
	$G = 1000$ , $V_{CM} = (V-) \text{ to } (V+) - 1\text{ V}$	105		dB	
<b>BIAS CURRENT</b>					
$I_B$ Input bias current	$V_{CM} = V_S/2$		35	65	nA
	$T_A = -40^\circ\text{C}$ to $+125^\circ\text{C}$			95	nA
$I_{OS}$ Input offset current	$V_{CM} = V_S/2$		0.7	5	nA
	$T_A = -40^\circ\text{C}$ to $+125^\circ\text{C}$			10	nA
<b>NOISE VOLTAGE</b>					
$e_{NI}$ Input stage voltage noise <sup>(3)</sup>	$f = 1\text{ kHz}$ , $G = 100$ , $R_S = 0\ \Omega$		18	20	$\text{nV}/\sqrt{\text{Hz}}$
	$f_B = 0.1\text{ Hz}$ to $10\text{ Hz}$ , $G = 100$ , $R_S = 0\ \Omega$		0.52		$\mu\text{V}_{PP}$
$e_{NO}$ Output stage voltage noise <sup>(3)</sup>	$f = 1\text{ kHz}$ , $G = 1$ , $R_S = 0\ \Omega$		110	115	$\text{nV}/\sqrt{\text{Hz}}$
	$f_B = 0.1\text{ Hz}$ to $10\text{ Hz}$ , $G = 1$ , $R_S = 0\ \Omega$		3.3		$\mu\text{V}_{PP}$
$i_N$ Noise current	$f = 1\text{ kHz}$		100		$\text{fA}/\sqrt{\text{Hz}}$
	$f_B = 0.1\text{ Hz}$ to $10\text{ Hz}$		5		$\text{pA}_{PP}$

(1) Total offset, referred-to-input (RTI):  $V_{OS} = (V_{OSI}) + (V_{OSO}/G)$ .

(2) Input voltage range of the INA826 input stage. The input range depends on the common-mode voltage, differential voltage, gain, and reference voltage. See Typical Characteristic curves [Figure 9](#) through [Figure 16](#) and [Figure 41](#) through [Figure 44](#) for more information.

(3)

$$\text{Total RTI voltage noise} = \sqrt{(e_{NI})^2 + \left[ \frac{e_{NO}}{G} \right]^2}$$

## ELECTRICAL CHARACTERISTICS (continued)

At  $T_A = +25^\circ\text{C}$ ,  $V_S = \pm 15\text{ V}$ ,  $R_L = 10\text{ k}\Omega$ ,  $V_{\text{REF}} = 0\text{ V}$ , and  $G = 1$ , unless otherwise noted.

PARAMETER	TEST CONDITIONS	INA826			UNIT
		MIN	TYP	MAX	
<b>GAIN</b>					
G	Gain equation	$1 + \left[ \frac{49.4\text{ k}\Omega}{R_G} \right]$			V/V
G	Range of gain	1		1000	V/V
GE	Gain error	$G = 1, V_O = \pm 10\text{ V}$	$\pm 0.003$	$\pm 0.015$	%
		$G = 10, V_O = \pm 10\text{ V}$	$\pm 0.03$	$\pm 0.15$	%
		$G = 100, V_O = \pm 10\text{ V}$	$\pm 0.04$	$\pm 0.15$	%
		$G = 1000, V_O = \pm 10\text{ V}$	$\pm 0.04$	$\pm 0.15$	%
	Gain vs temperature <sup>(4)</sup>	$G = 1, T_A = -40^\circ\text{C to } +125^\circ\text{C}$	$\pm 0.1$	$\pm 1$	ppm/ $^\circ\text{C}$
		$G > 1, T_A = -40^\circ\text{C to } +125^\circ\text{C}$	$\pm 10$	$\pm 35$	ppm/ $^\circ\text{C}$
	Gain nonlinearity	$G = 1\text{ to } 100, V_O = -10\text{ V to } +10\text{ V}$	1	5	ppm
		$G = 1000, V_O = -10\text{ V to } +10\text{ V}$	5	20	ppm
<b>OUTPUT</b>					
	Voltage swing	$R_L = 10\text{ k}\Omega$	$(V-) + 0.1$	$(V+) - 0.15$	V
	Load capacitance stability		1000		pF
	Open loop output impedance		See <a href="#">Figure 56</a>		
	Short-circuit current	Continuous to $V_S/2$	$\pm 16$		mA
<b>FREQUENCY RESPONSE</b>					
BW	Bandwidth, -3 dB	$G = 1$	1		MHz
		$G = 10$	500		kHz
		$G = 100$	60		kHz
		$G = 1000$	6		kHz
SR	Slew rate	$G = 1, V_O = \pm 14.5\text{ V}$	1		V/ $\mu\text{s}$
		$G = 100, V_O = \pm 14.5\text{ V}$	1		V/ $\mu\text{s}$
$t_s$	Settling time to 0.01%	$G = 1, V_{\text{STEP}} = 10\text{ V}$	12		$\mu\text{s}$
		$G = 10, V_{\text{STEP}} = 10\text{ V}$	12		$\mu\text{s}$
		$G = 100, V_{\text{STEP}} = 10\text{ V}$	24		$\mu\text{s}$
		$G = 1000, V_{\text{STEP}} = 10\text{ V}$	224		$\mu\text{s}$
$t_s$	Settling time to 0.001%	$G = 1, V_{\text{STEP}} = 10\text{ V}$	14		$\mu\text{s}$
		$G = 10, V_{\text{STEP}} = 10\text{ V}$	14		$\mu\text{s}$
		$G = 100, V_{\text{STEP}} = 10\text{ V}$	31		$\mu\text{s}$
		$G = 1000, V_{\text{STEP}} = 10\text{ V}$	278		$\mu\text{s}$

(4) The values specified for  $G > 1$  do not include the effects of the external gain-setting resistor,  $R_G$ .

## ELECTRICAL CHARACTERISTICS (continued)

At  $T_A = +25^\circ\text{C}$ ,  $V_S = \pm 15\text{ V}$ ,  $R_L = 10\text{ k}\Omega$ ,  $V_{\text{REF}} = 0\text{ V}$ , and  $G = 1$ , unless otherwise noted.

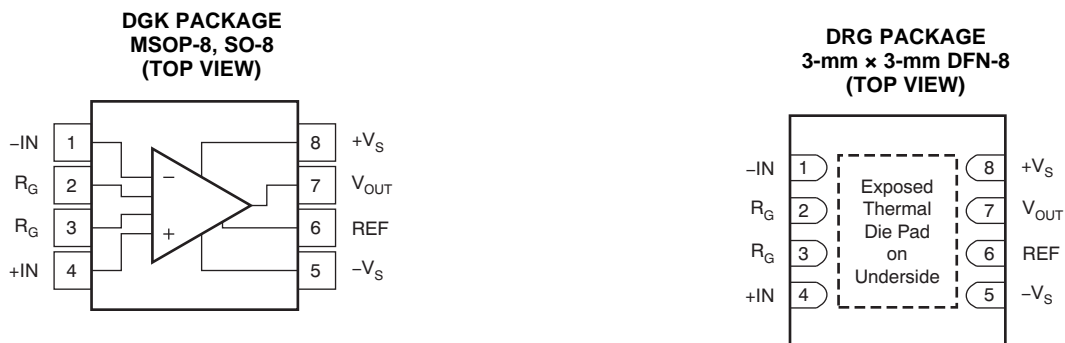
PARAMETER	TEST CONDITIONS	INA826			UNIT
		MIN	TYP	MAX	
<b>REFERENCE INPUT</b>					
$R_{\text{IN}}$	Input impedance		100		k $\Omega$
	Voltage range	(V–)		(V+)	V
	Gain to output		1		V/V
	Reference gain error		0.01		%
<b>POWER SUPPLY</b>					
$V_S$	Power-supply voltage	Single	+2.7	+36	V
		Dual	$\pm 1.35$	$\pm 18$	V
$I_Q$	Quiescent current	$V_{\text{IN}} = 0\text{ V}$	200	250	$\mu\text{A}$
		vs temperature, $T_A = -40^\circ\text{C}$ to $+125^\circ\text{C}$	250	300	$\mu\text{A}$
<b>TEMPERATURE RANGE</b>					
	Specified		–40	+125	$^\circ\text{C}$
	Operating		–50	+150	$^\circ\text{C}$

## THERMAL INFORMATION

THERMAL METRIC <sup>(1)</sup>		INA826	INA826	INA826	UNITS
		D (SOIC)	DGK (MSOP)	DRG (DFN)	
		8 PINS	8 PINS	8 PINS	
$\theta_{\text{JA}}$	Junction-to-ambient thermal resistance	141.4	215.4	50.9	$^\circ\text{C}/\text{W}$
$\theta_{\text{JCTop}}$	Junction-to-case (top) thermal resistance	75.4	66.3	60.0	
$\theta_{\text{JB}}$	Junction-to-board thermal resistance	59.6	97.8	25.4	
$\psi_{\text{JT}}$	Junction-to-top characterization parameter	27.4	10.5	1.2	
$\psi_{\text{JB}}$	Junction-to-board characterization parameter	59.1	96.1	25.5	
$\theta_{\text{JCbott}}$	Junction-to-case (bottom) thermal resistance	N/A	N/A	7.2	

(1) For more information about traditional and new thermal metrics, see the *IC Package Thermal Metrics* application report, [SPRA953](#).

### PIN CONFIGURATIONS

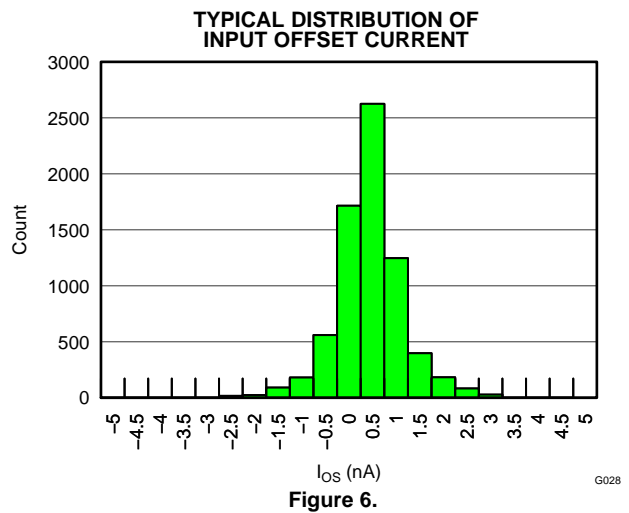
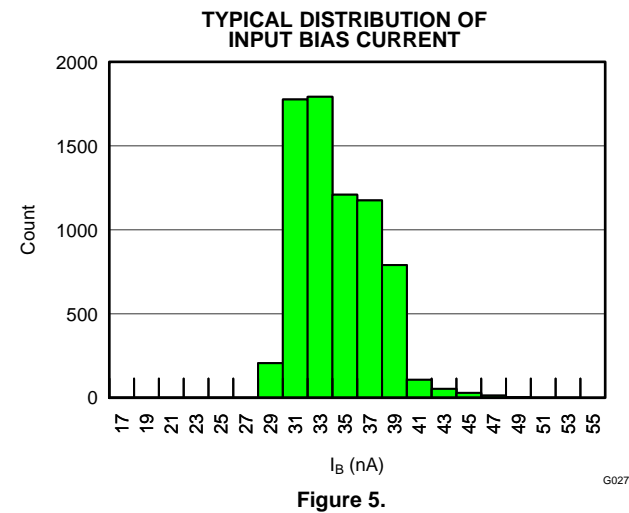
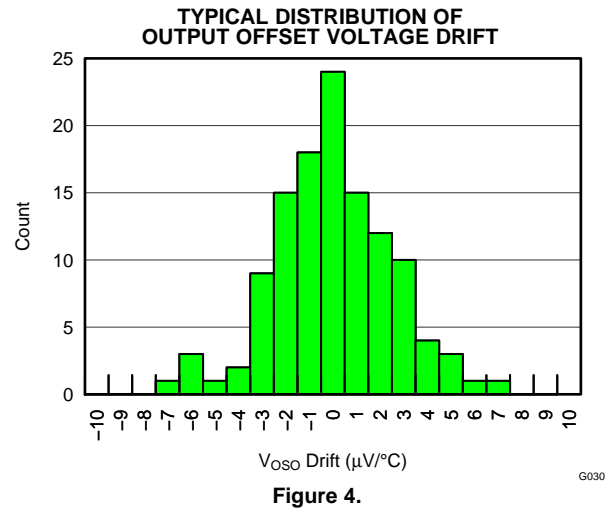
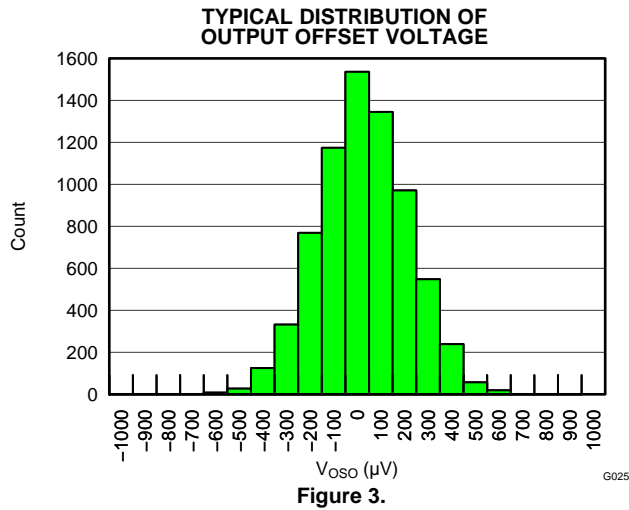
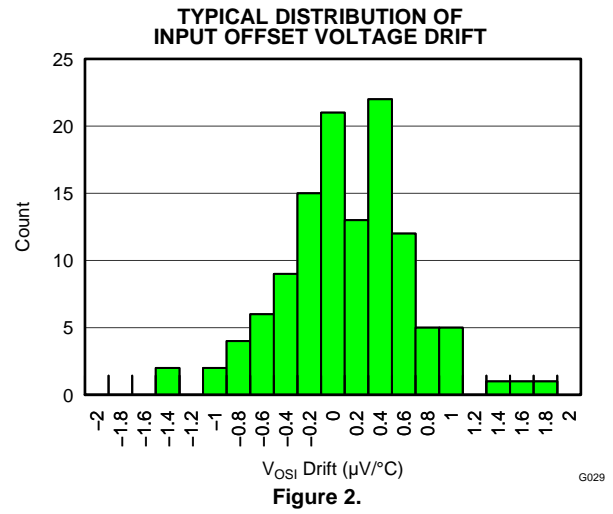
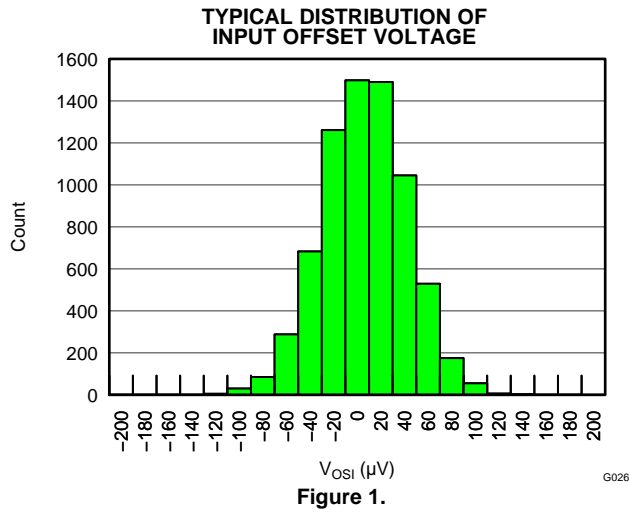


### PIN DESCRIPTIONS

NAME	NO.	DESCRIPTION
-IN	1	Negative input
R <sub>G</sub>	2	Gain setting pin. Place a gain resistor between pin 2 and pin 3.
R <sub>G</sub>	3	Gain setting pin. Place a gain resistor between pin 2 and pin 3.
+IN	4	Positive input
-V <sub>S</sub>	5	Negative supply
REF	6	Reference input. This pin must be driven by low impedance.
V <sub>OUT</sub>	7	Output
+V <sub>S</sub>	8	Positive supply

**TYPICAL CHARACTERISTICS**

At  $T_A = +25^\circ\text{C}$ ,  $V_S = \pm 15\text{ V}$ ,  $R_L = 10\text{ k}\Omega$ ,  $V_{REF} = 0\text{ V}$ , and  $G = 1$ , unless otherwise noted.



**TYPICAL CHARACTERISTICS (continued)**

At  $T_A = +25^\circ\text{C}$ ,  $V_S = \pm 15\text{ V}$ ,  $R_L = 10\text{ k}\Omega$ ,  $V_{REF} = 0\text{ V}$ , and  $G = 1$ , unless otherwise noted.

**TYPICAL GAIN ERROR DRIFT DISTRIBUTION (G = 1)**

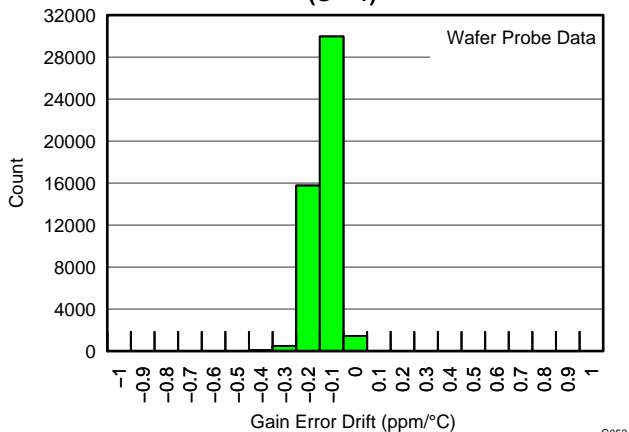


Figure 7.

G052

**TYPICAL GAIN ERROR DRIFT DISTRIBUTION (G > 1)**

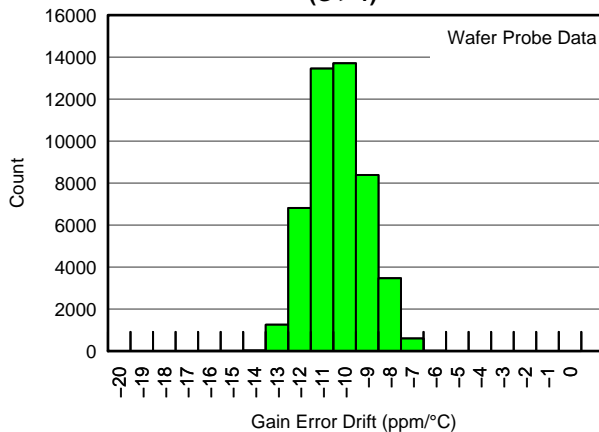


Figure 8.

G051

**INPUT COMMON-MODE VOLTAGE vs OUTPUT VOLTAGE (Single Supply,  $V_S = +2.7\text{ V}$ ,  $G = 1$ )**

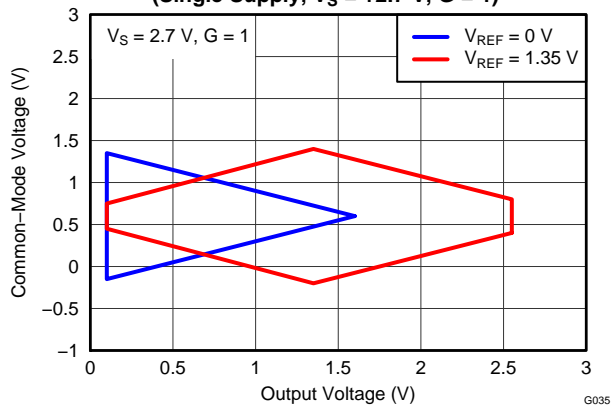


Figure 9.

G035

**INPUT COMMON-MODE VOLTAGE vs OUTPUT VOLTAGE (Single Supply,  $V_S = +2.7\text{ V}$ ,  $G = 100$ )**

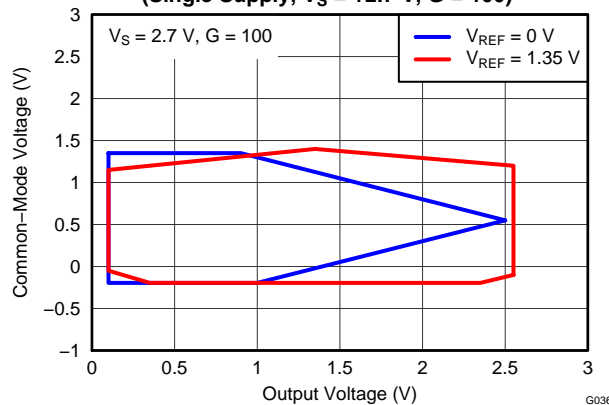


Figure 10.

G036

**INPUT COMMON-MODE VOLTAGE vs OUTPUT VOLTAGE (Single Supply,  $V_S = +5\text{ V}$ ,  $G = 1$ )**

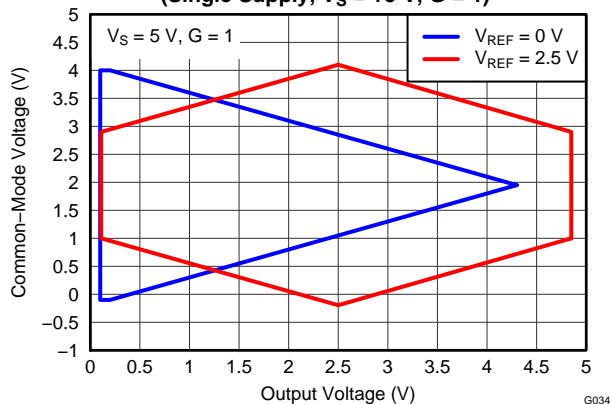


Figure 11.

G034

**INPUT COMMON-MODE VOLTAGE vs OUTPUT VOLTAGE (Single Supply,  $V_S = +5\text{ V}$ ,  $G = 100$ )**

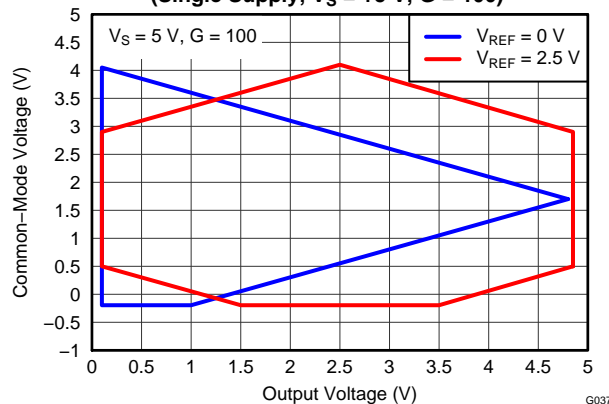


Figure 12.

G037



**TYPICAL CHARACTERISTICS (continued)**

At  $T_A = +25^\circ\text{C}$ ,  $V_S = \pm 15\text{ V}$ ,  $R_L = 10\text{ k}\Omega$ ,  $V_{REF} = 0\text{ V}$ , and  $G = 1$ , unless otherwise noted.

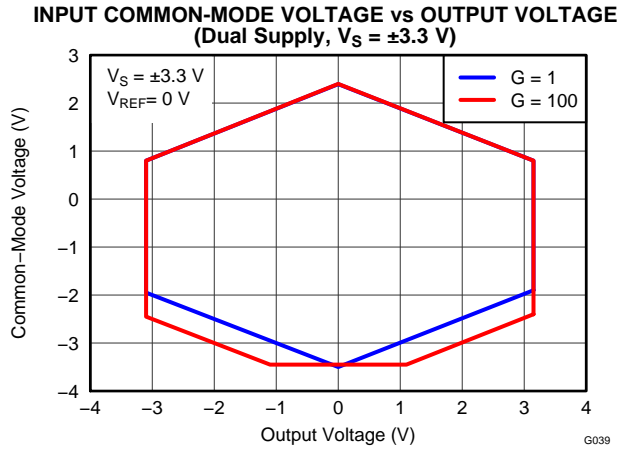


Figure 13.

G039

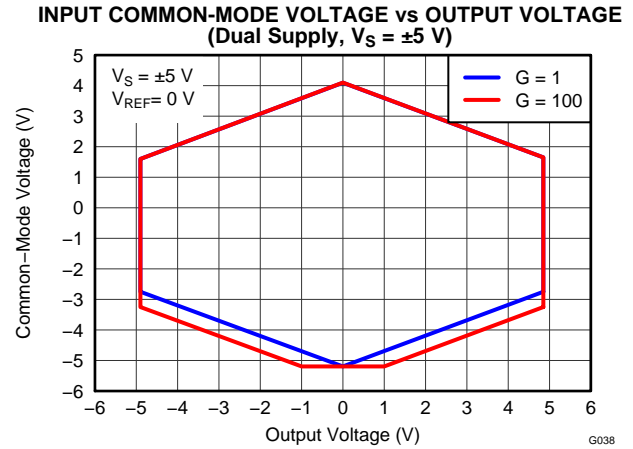


Figure 14.

G038

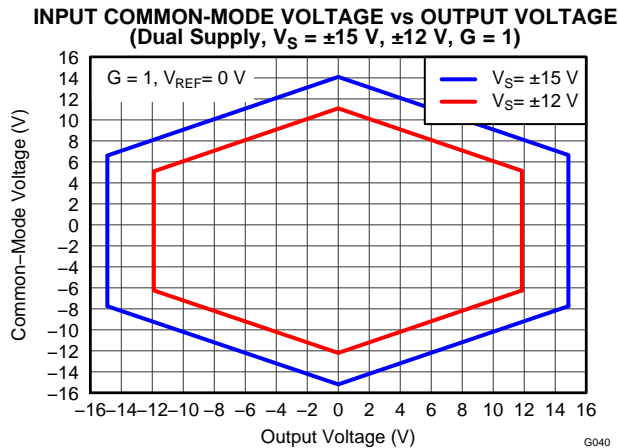


Figure 15.

G040

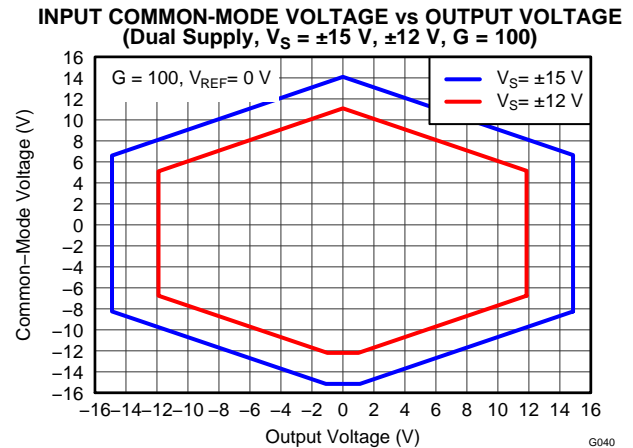


Figure 16.

G040

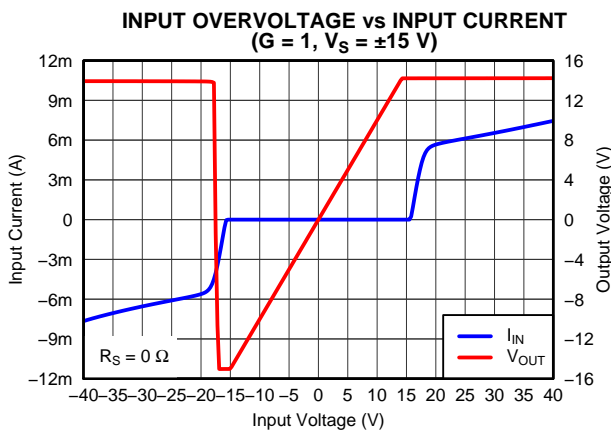


Figure 17.

G065

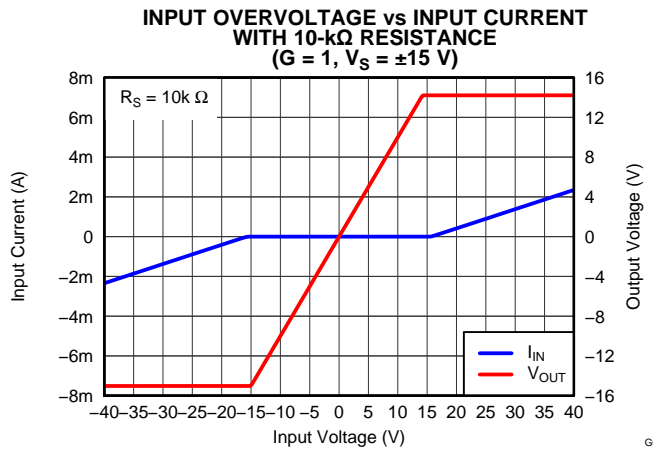


Figure 18.

G064

**TYPICAL CHARACTERISTICS (continued)**

At  $T_A = +25^\circ\text{C}$ ,  $V_S = \pm 15\text{ V}$ ,  $R_L = 10\text{ k}\Omega$ ,  $V_{REF} = 0\text{ V}$ , and  $G = 1$ , unless otherwise noted.

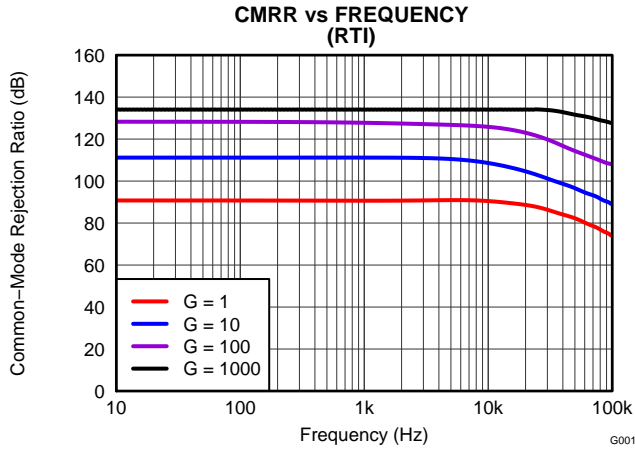


Figure 19.

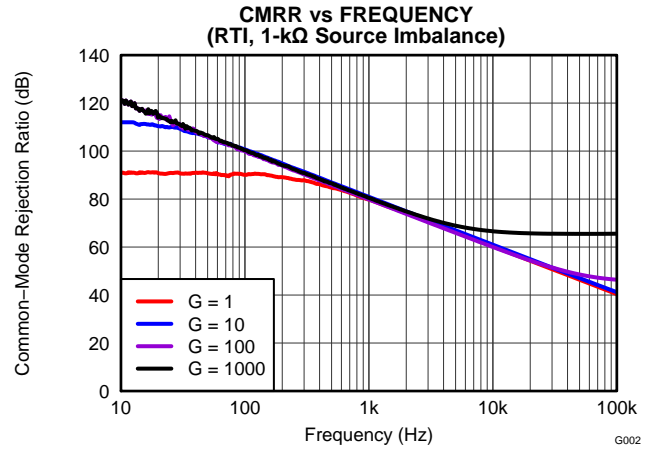


Figure 20.

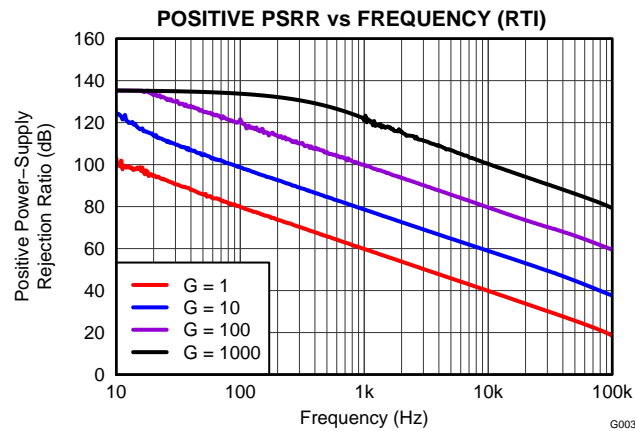


Figure 21.

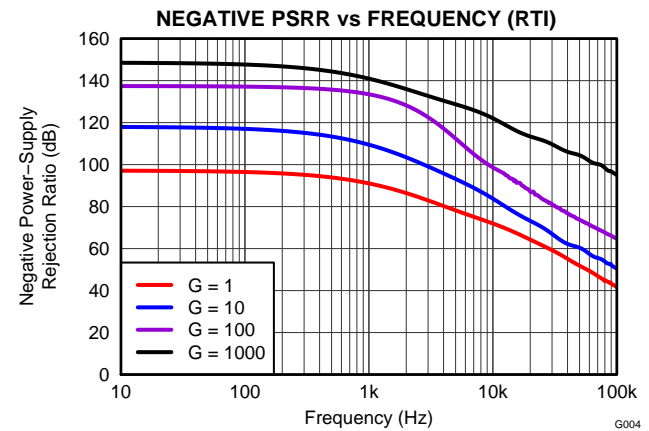


Figure 22.

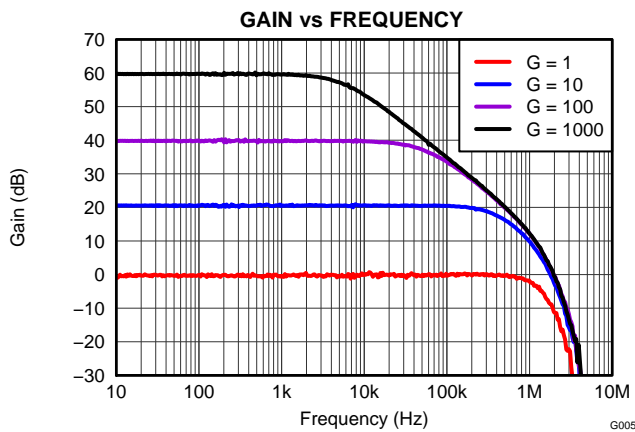


Figure 23.

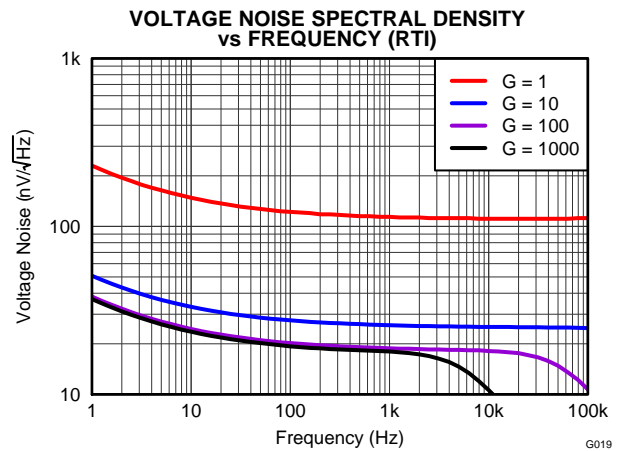


Figure 24.

**TYPICAL CHARACTERISTICS (continued)**

At  $T_A = +25^\circ\text{C}$ ,  $V_S = \pm 15\text{ V}$ ,  $R_L = 10\text{ k}\Omega$ ,  $V_{REF} = 0\text{ V}$ , and  $G = 1$ , unless otherwise noted.

**CURRENT NOISE SPECTRAL DENSITY vs FREQUENCY (RTI)**

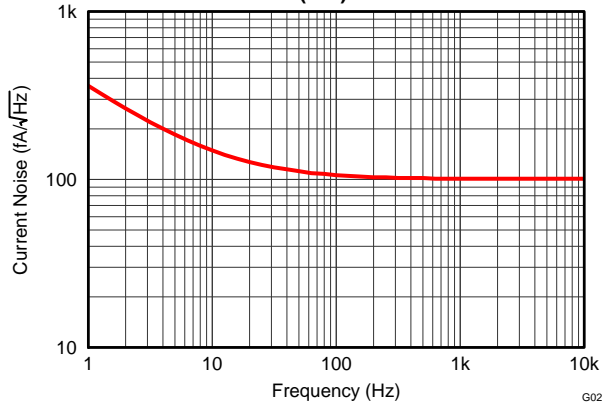


Figure 25.

**0.1-Hz TO 10-Hz RTI VOLTAGE NOISE (G = 1)**

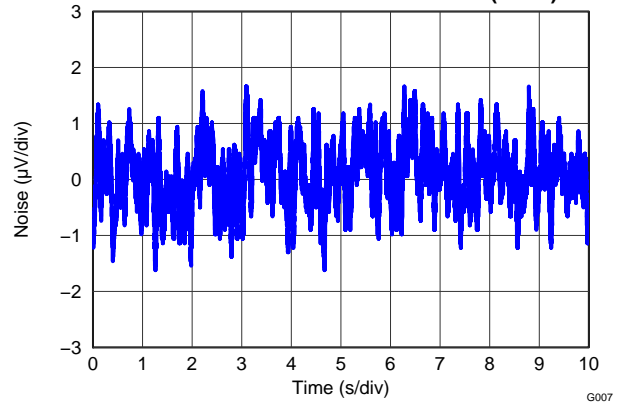


Figure 26.

**0.1-Hz TO 10-Hz RTI VOLTAGE NOISE (G = 1000)**

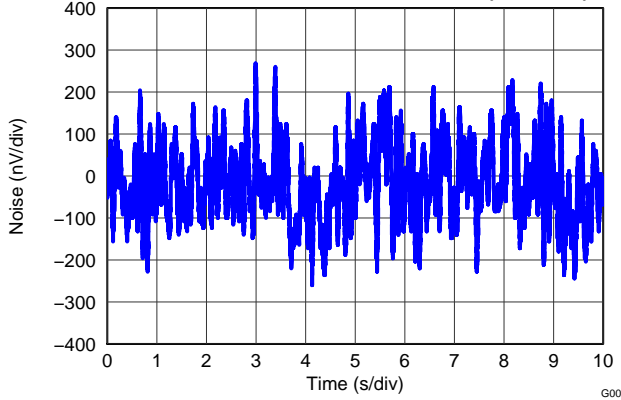


Figure 27.

**0.1-Hz TO 10-Hz RTI CURRENT NOISE**

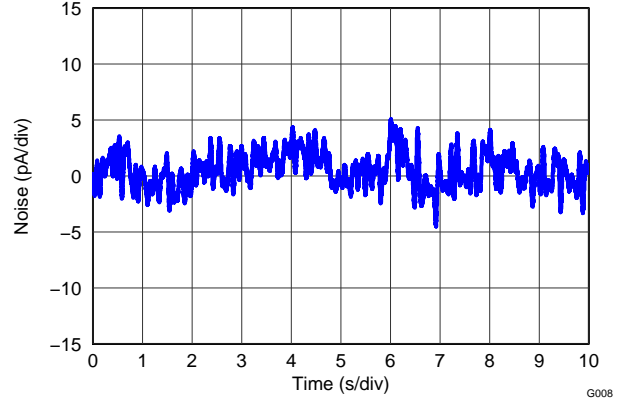


Figure 28.

**INPUT BIAS CURRENT vs COMMON-MODE VOLTAGE ( $V_S = +2.7\text{ V}$ )**

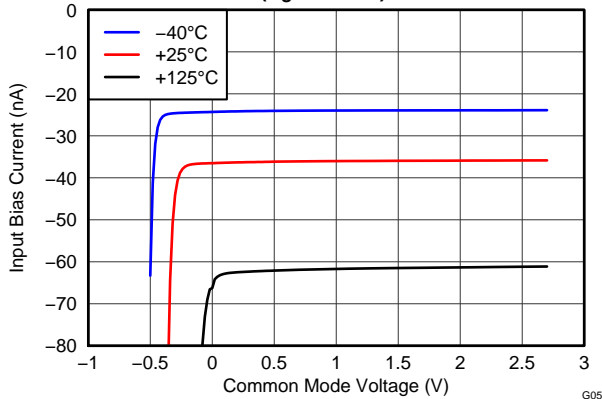


Figure 29.

**INPUT BIAS CURRENT vs COMMON-MODE VOLTAGE ( $V_S = \pm 15\text{ V}$ )**

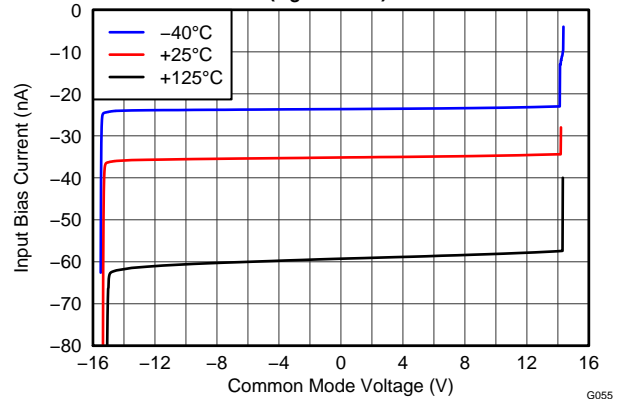


Figure 30.

**TYPICAL CHARACTERISTICS (continued)**

At  $T_A = +25^\circ\text{C}$ ,  $V_S = \pm 15\text{ V}$ ,  $R_L = 10\text{ k}\Omega$ ,  $V_{REF} = 0\text{ V}$ , and  $G = 1$ , unless otherwise noted.

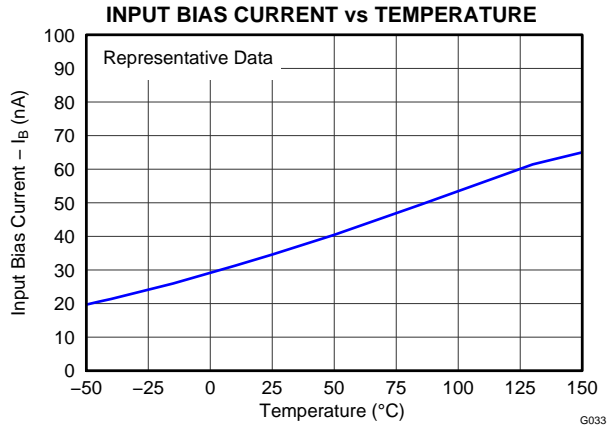


Figure 31.

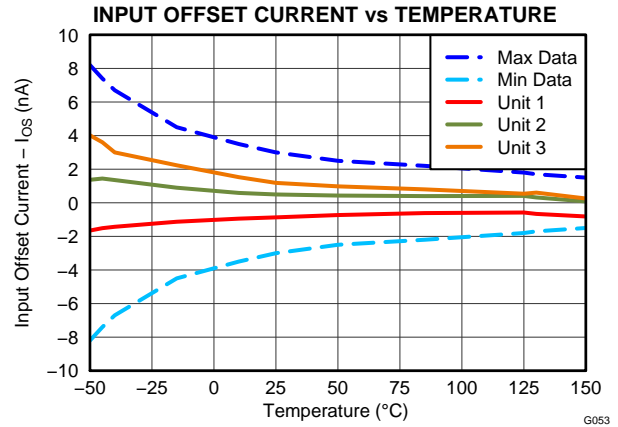


Figure 32.

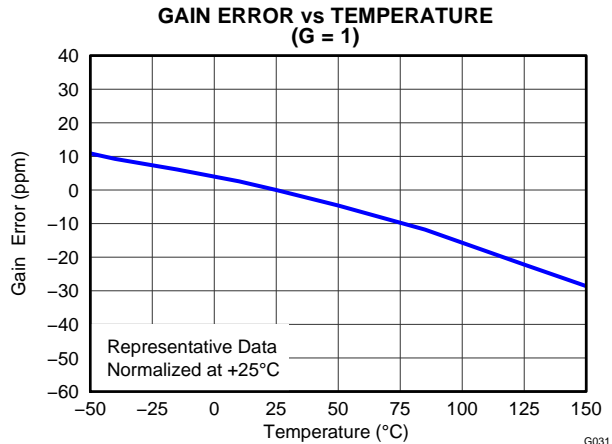


Figure 33.

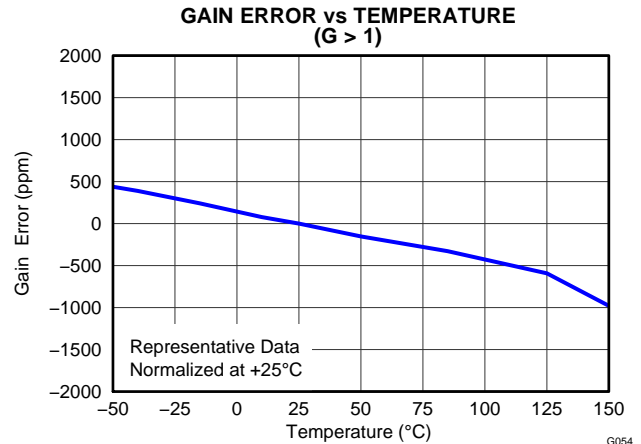


Figure 34.

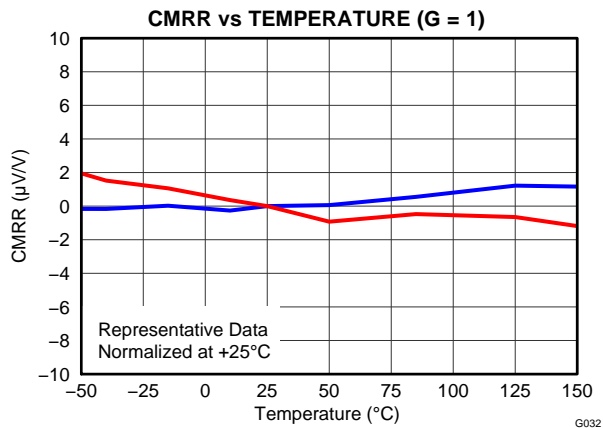


Figure 35.

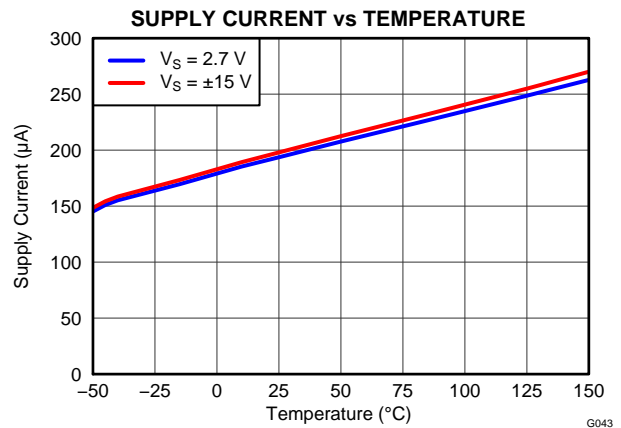


Figure 36.

**TYPICAL CHARACTERISTICS (continued)**

At  $T_A = +25^\circ\text{C}$ ,  $V_S = \pm 15\text{ V}$ ,  $R_L = 10\text{ k}\Omega$ ,  $V_{REF} = 0\text{ V}$ , and  $G = 1$ , unless otherwise noted.

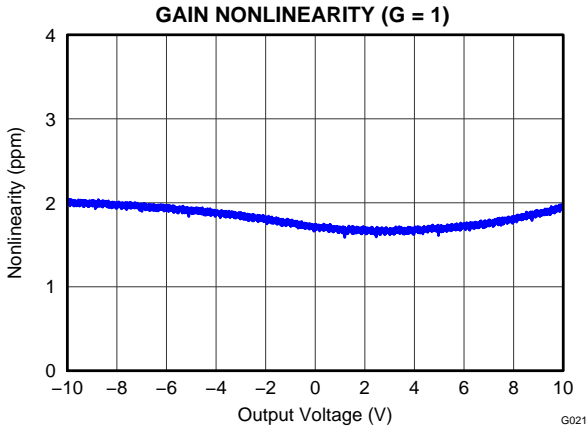


Figure 37.

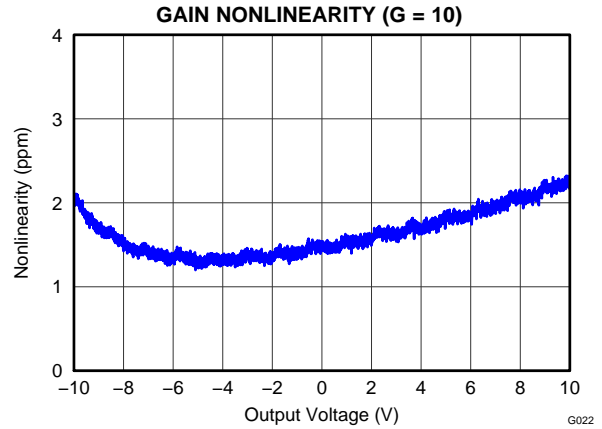


Figure 38.

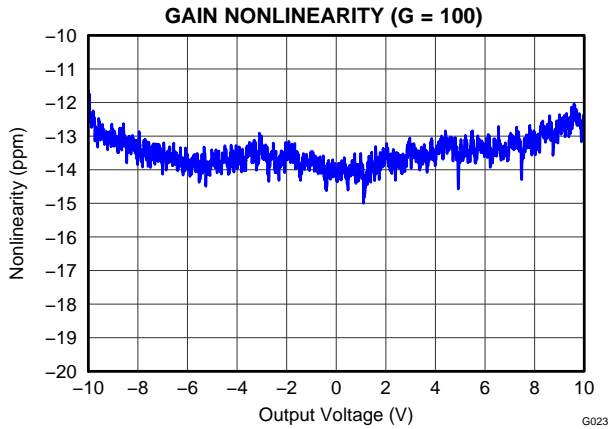


Figure 39.

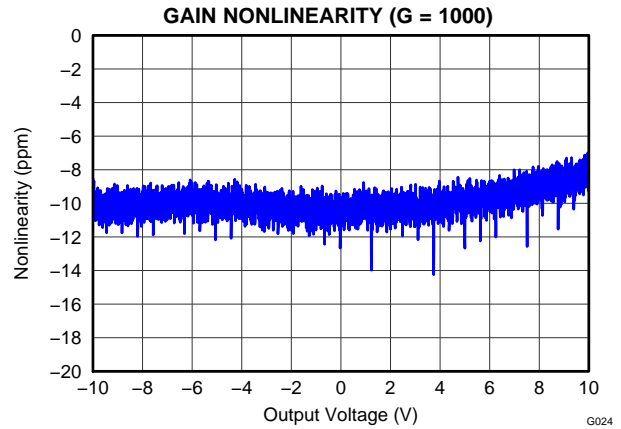


Figure 40.

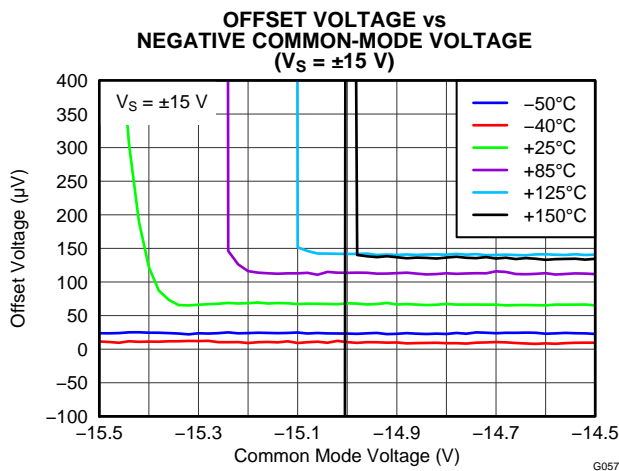


Figure 41.

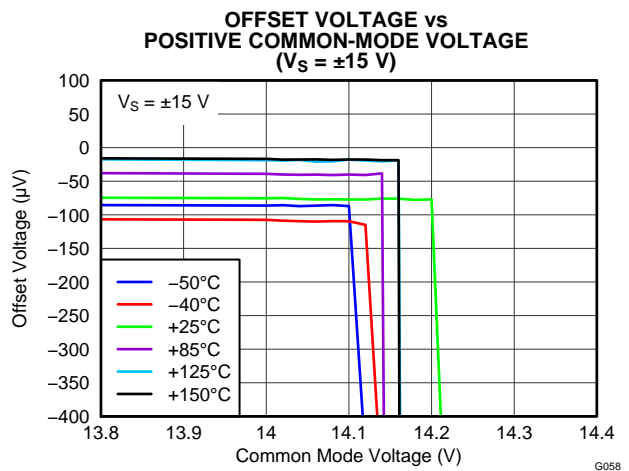


Figure 42.

**TYPICAL CHARACTERISTICS (continued)**

At  $T_A = +25^\circ\text{C}$ ,  $V_S = \pm 15\text{ V}$ ,  $R_L = 10\text{ k}\Omega$ ,  $V_{REF} = 0\text{ V}$ , and  $G = 1$ , unless otherwise noted.

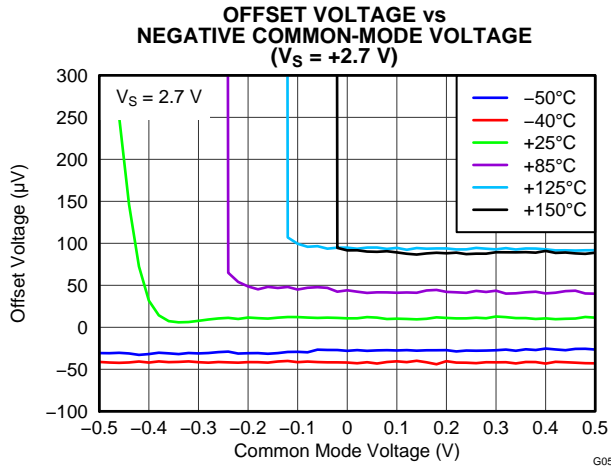


Figure 43.

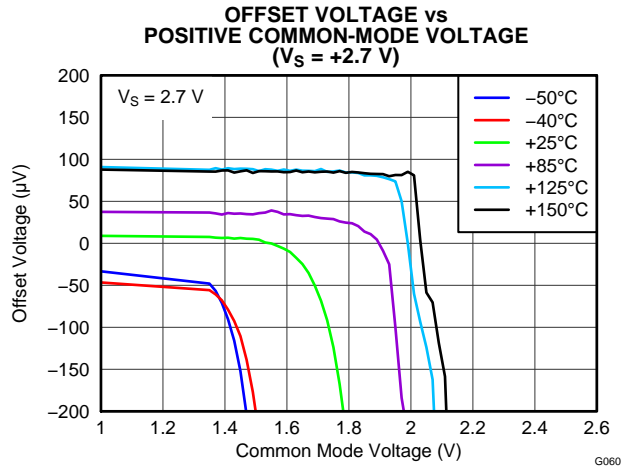


Figure 44.

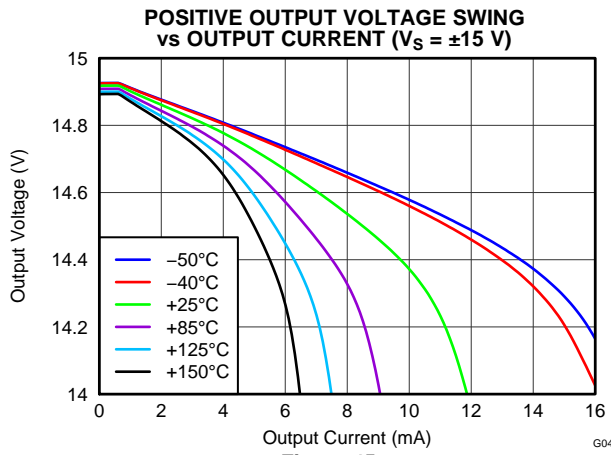


Figure 45.

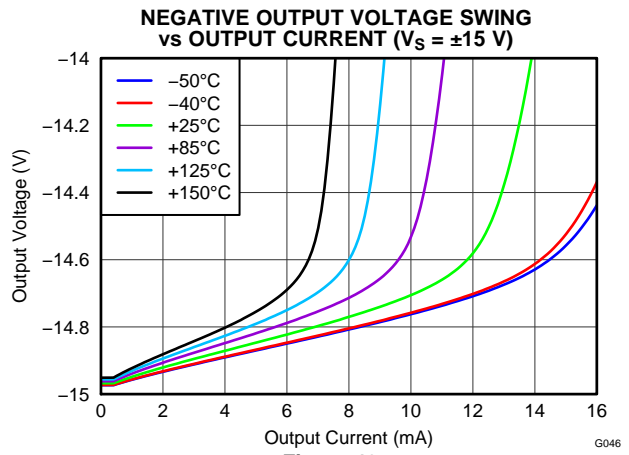


Figure 46.

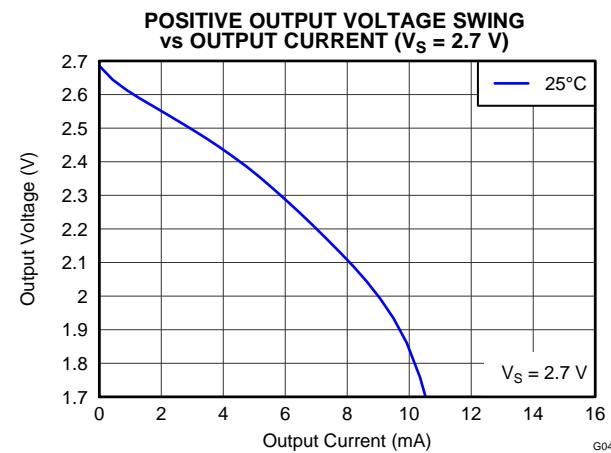


Figure 47.

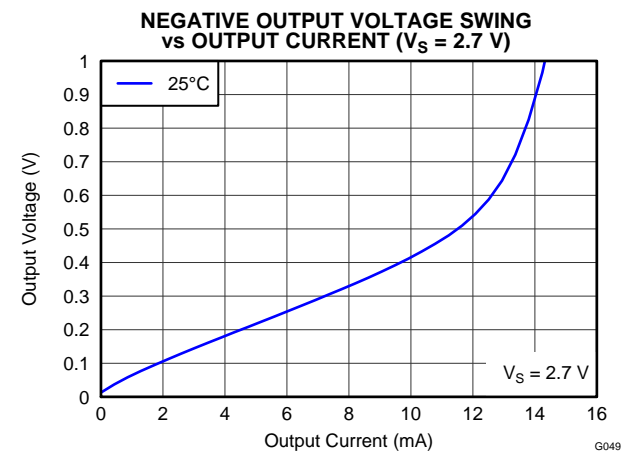


Figure 48.

**TYPICAL CHARACTERISTICS (continued)**

At  $T_A = +25^\circ\text{C}$ ,  $V_S = \pm 15\text{ V}$ ,  $R_L = 10\text{ k}\Omega$ ,  $V_{REF} = 0\text{ V}$ , and  $G = 1$ , unless otherwise noted.

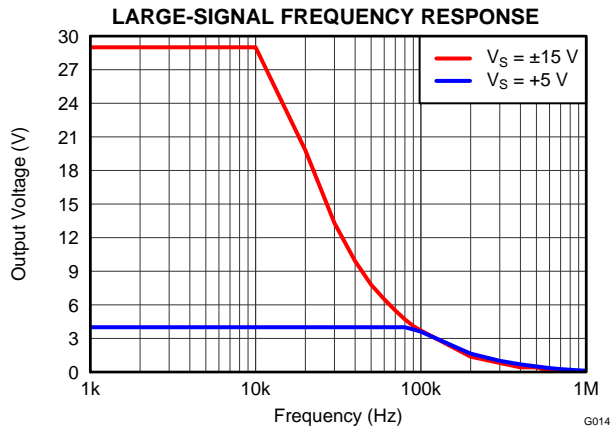


Figure 49.

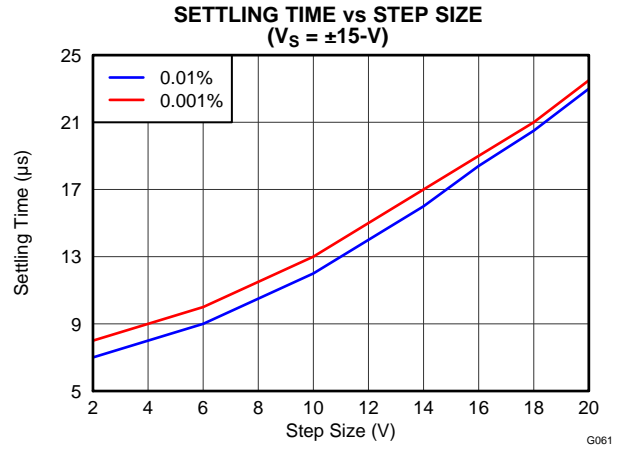


Figure 50.

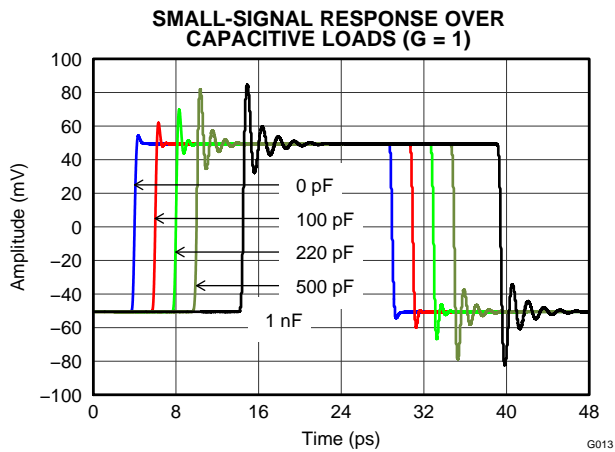


Figure 51.

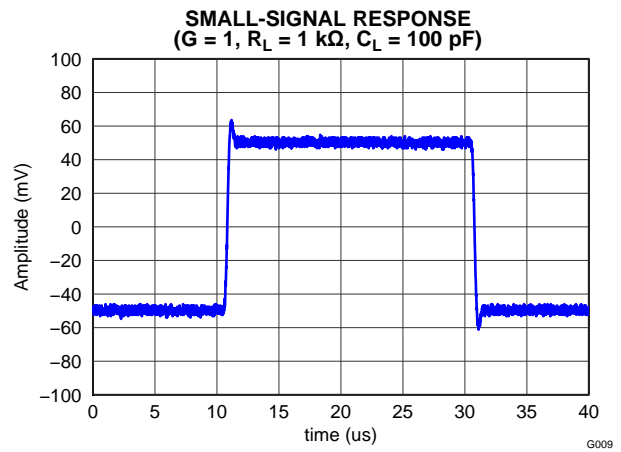


Figure 52.

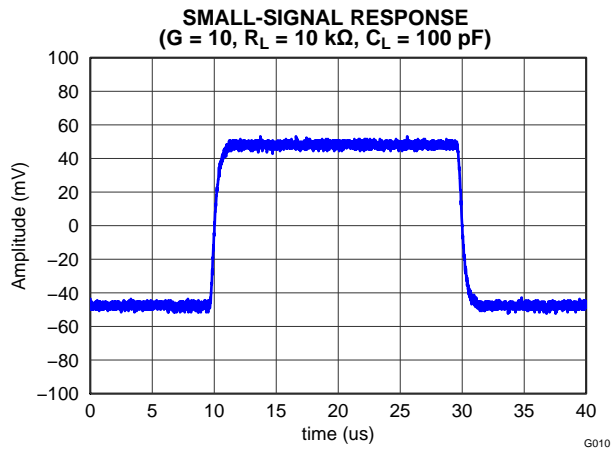


Figure 53.

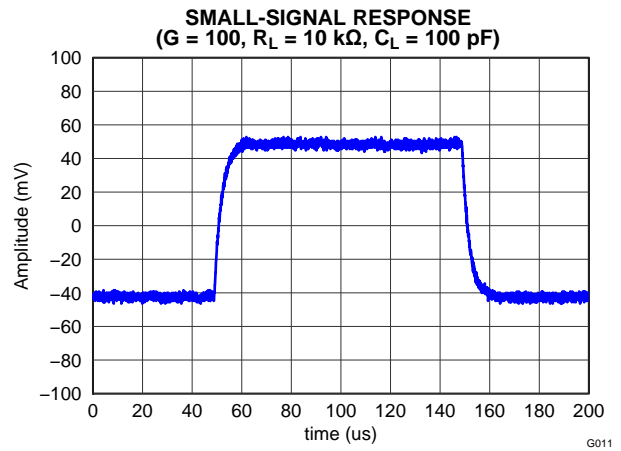


Figure 54.

**TYPICAL CHARACTERISTICS (continued)**

At  $T_A = +25^\circ\text{C}$ ,  $V_S = \pm 15\text{ V}$ ,  $R_L = 10\text{ k}\Omega$ ,  $V_{REF} = 0\text{ V}$ , and  $G = 1$ , unless otherwise noted.

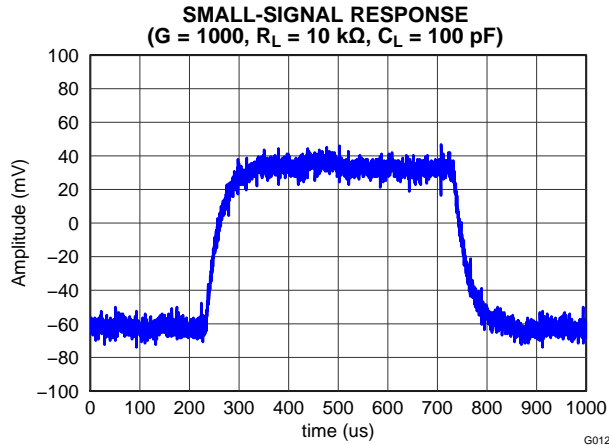


Figure 55.

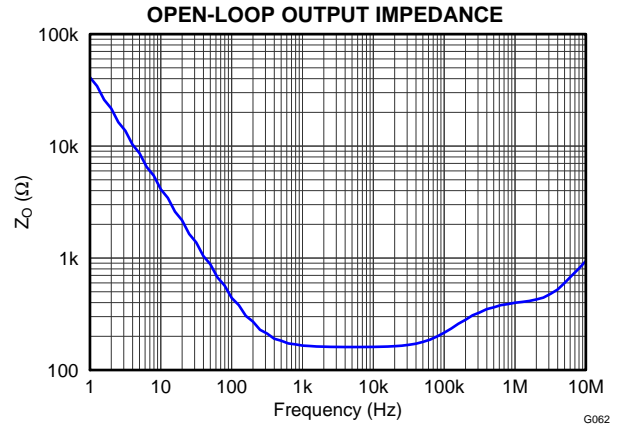


Figure 56.

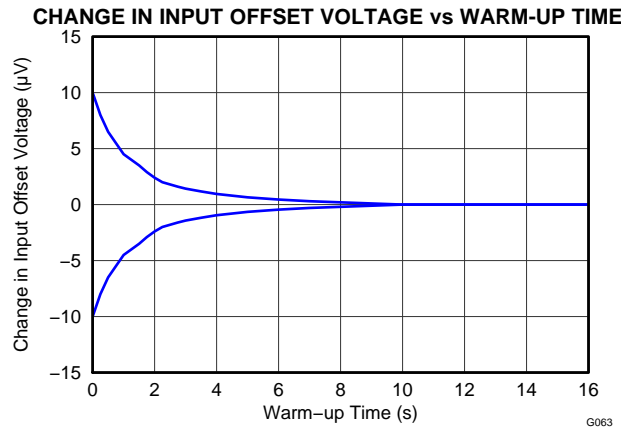


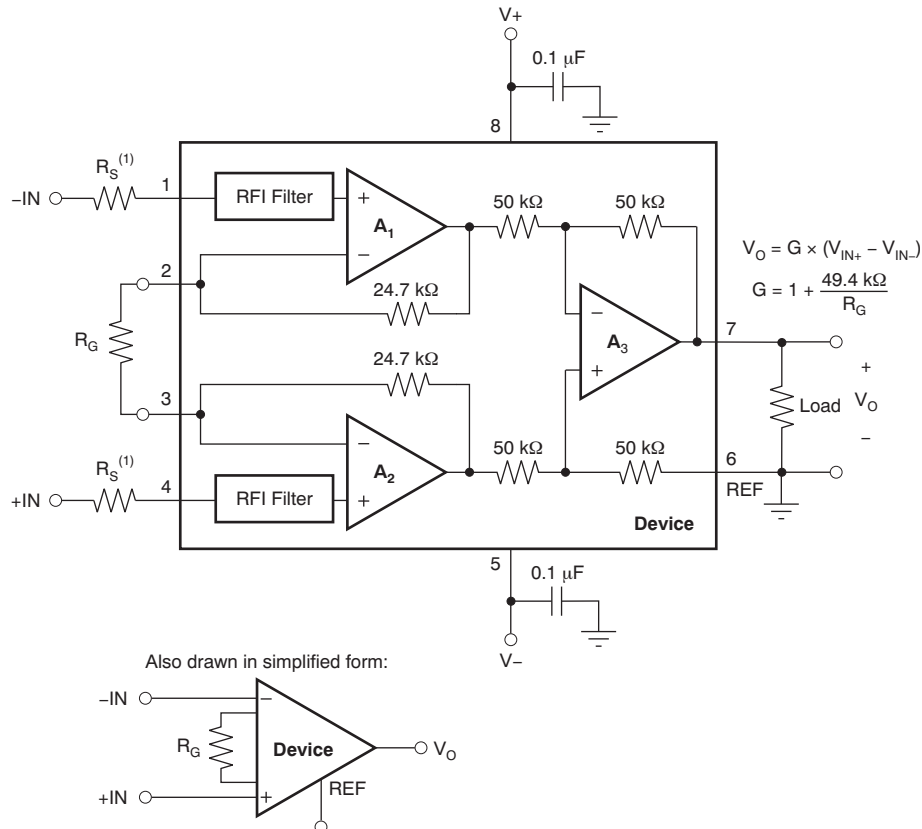
Figure 57.



## APPLICATION INFORMATION

Figure 58 shows the basic connections required for operation of the INA826. Good layout practice mandates the use of bypass capacitors placed as close to the device pins as possible.

The output of the INA826 is referred to the output reference (REF) terminal, which is normally grounded. This connection must be low-impedance to assure good common-mode rejection. Although 5 Ω or less of stray resistance can be tolerated while maintaining specified CMRR, small stray resistances of tens of ohms in series with the REF pin can cause noticeable degradation in CMRR.



(1) This resistor is optional if the input voltage stays above  $[(V-) - 2 V]$  or the signal source current drive capability is limited to less than 3.5 mA. See the [Input Protection](#) section for more details.

**Figure 58. Basic Connections**

## SETTING THE GAIN

Gain of the INA826 is set by a single external resistor,  $R_G$ , connected between pins 2 and 3. The value of  $R_G$  is selected according to [Equation 1](#):

$$G = 1 + \left[ \frac{49.4 \text{ k}\Omega}{R_G} \right] \quad (1)$$

[Table 1](#) lists several commonly-used gains and resistor values. The 49.4-k $\Omega$  term in [Equation 1](#) comes from the sum of the two internal 24.7-k $\Omega$  feedback resistors. These on-chip resistors are laser-trimmed to accurate absolute values. The accuracy and temperature coefficients of these resistors are included in the gain accuracy and drift specifications of the INA826.

**Table 1. Commonly-Used Gains and Resistor Values**

DESIRED GAIN (V/V)	$R_G$ ( $\Omega$ )	NEAREST 1% $R_G$ ( $\Omega$ )
1	—	—
2	49.4k	49.9k
5	12.35k	12.4k
10	5.489k	5.49k
20	2.600k	2.61k
50	1.008k	1k
100	499	499
200	248	249
500	99	100
1000	49.5	49.9

### Gain Drift

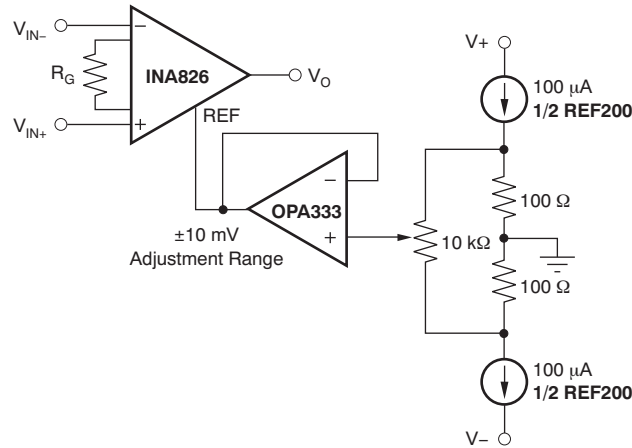
The stability and temperature drift of the external gain setting resistor,  $R_G$ , also affects gain. The contribution of  $R_G$  to gain accuracy and drift can be directly inferred from the gain of [Equation 1](#).

The best gain drift of 1 ppm/ $^{\circ}\text{C}$  can be achieved when the INA826 uses  $G = 1$  without  $R_G$  connected. In this case, the gain drift is limited only by the slight mismatch of the temperature coefficient of the integrated 50-k $\Omega$  resistors in the differential amplifier ( $A_3$ ). At  $G$  greater than 1, the gain drift increases as a result of the individual drift of the 24.7-k $\Omega$  resistors in the feedback of  $A_1$  and  $A_2$ , relative to the drift of the external gain resistor  $R_G$ . Process improvements of the temperature coefficient of the feedback resistors now make it possible to specify a maximum gain drift of the feedback resistors of 35 ppm/ $^{\circ}\text{C}$ , thus significantly improving the overall temperature stability of applications using gains greater than 1.

Low resistor values required for high gain can make wiring resistance important. Sockets add to the wiring resistance and contribute additional gain error (such as a possible unstable gain error) at gains of approximately 100 or greater. To ensure stability, avoid parasitic capacitance of more than a few picofarads at  $R_G$  connections. Careful matching of any parasitics on both  $R_G$  pins maintains optimal CMRR over frequency; see Typical Characteristics curves ([Figure 19](#) and [Figure 20](#)).

## OFFSET TRIMMING

Most applications require no external offset adjustment; however, if necessary, adjustments can be made by applying a voltage to the REF terminal. Figure 59 shows an optional circuit for trimming the output offset voltage. The voltage applied to the REF terminal is summed at the output. The op amp buffer provides low impedance at the REF terminal to preserve good common-mode rejection.



**Figure 59. Optional Trimming of Output Offset Voltage**

## INPUT COMMON-MODE RANGE

The linear input voltage range of the INA826 input circuitry extends from the negative supply voltage to 1 V below the positive supply, while maintaining 84-dB (minimum) common-mode rejection throughout this range. The common-mode range for most common operating conditions is described in the typical characteristic curves (*Input Common-Mode Voltage vs Output Voltage*, Figure 9 through Figure 16) and *Offset Voltage vs Common-Mode Voltage* (Figure 41 through Figure 44). The INA826 can operate over a wide range of power supplies and  $V_{REF}$  configurations, making it impractical to provide a comprehensive guide to common-mode range limits for all possible conditions.

The most commonly overlooked overload condition occurs when a circuit exceeds the output swing of  $A_1$  and  $A_2$ , which are internal circuit nodes that cannot be measured. Calculating the expected voltages at the output of  $A_1$  and  $A_2$  (see Figure 60) provides a check for the most common overload conditions. The designs of  $A_1$  and  $A_2$  are identical and the outputs can swing to within approximately 100 mV of the power-supply rails. For example, when the  $A_2$  output is saturated,  $A_1$  may continue to be in linear operation, responding to changes in the noninverting input voltage. This difference may give the appearance of linear operation but the output voltage is invalid.

A single-supply instrumentation amplifier has special design considerations. To achieve a common-mode range that extends to single-supply ground, the INA826 employs a current-feedback topology with PNP input transistors; see Figure 60. The matched PNP transistors  $Q_1$  and  $Q_2$  shift the input voltages of both inputs up by a diode drop, and through the feedback network, shift the output of  $A_1$  and  $A_2$  by approximately +0.8 V. With both inputs and  $V_{REF}$  at single-supply ground (negative power supply), the output of  $A_1$  and  $A_2$  is well within the linear range, allowing users to make differential measurements at the GND level. As a result of this input level-shifting, the voltages at pin 2 and pin 3 are not equal to the respective input terminal voltages (pin 1 and pin 4). For most applications, this inequality is not important because only the gain-setting resistor connects to these pins.

### INSIDE THE INA826

See [Figure 58](#) for a simplified representation of the INA826. A more detailed diagram (shown in [Figure 60](#)) provides additional insight into the INA826 operation.

Each input is protected by two field-effect transistors (FETs) that provide a low series resistance under normal signal conditions, and preserve excellent noise performance. When excessive voltage is applied, these transistors limit input current to approximately 8 mA.

The differential input voltage is buffered by  $Q_1$  and  $Q_2$  and is impressed across  $R_G$ , causing a signal current to flow through  $R_G$ ,  $R_1$ , and  $R_2$ . The output difference amp,  $A_3$ , removes the common-mode component of the input signal and refers the output signal to the REF terminal.

The equations shown in [Figure 60](#) describe the output voltages of  $A_1$  and  $A_2$ . The  $V_{BE}$  and voltage drop across  $R_1$  and  $R_2$  produce output voltages on  $A_1$  and  $A_2$  that are approximately 0.8 V higher than the input voltages.

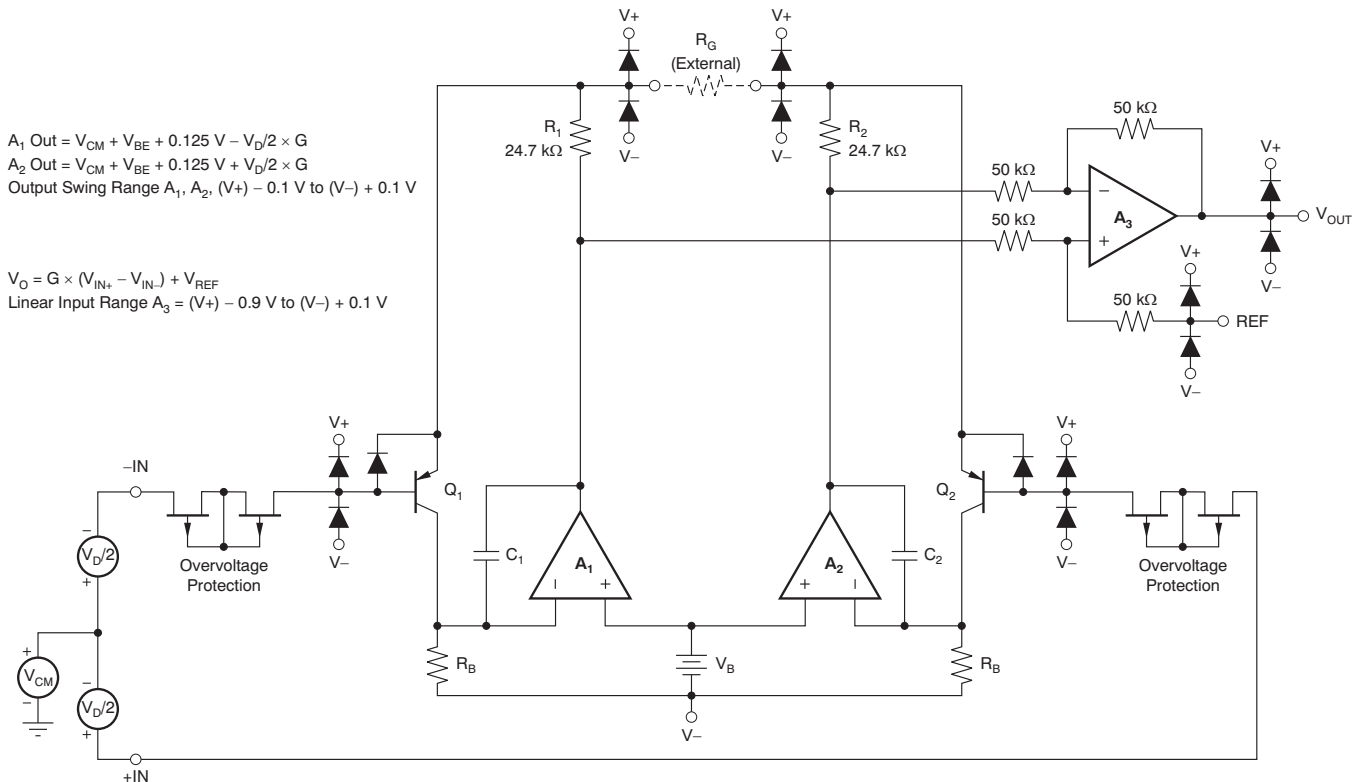


Figure 60. INA826 Simplified Circuit Diagram

### INPUT PROTECTION

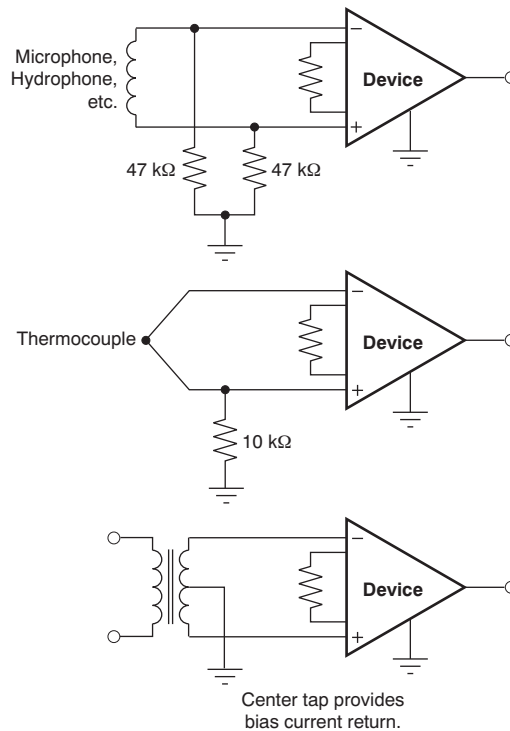
The inputs of the INA826 are individually protected for voltages up to  $\pm 40 \text{ V}$ . For example, a condition of  $-40 \text{ V}$  on one input and  $+40 \text{ V}$  on the other input does not cause damage. However, if the input voltage exceeds  $(V-) - 2 \text{ V}$  and the signal source current drive capability exceeds  $3.5 \text{ mA}$ , the output voltage switches to the opposite polarity; see typical characteristic curve *Input Overvoltage vs Input Current* ([Figure 17](#)). This polarity reversal can easily be avoided by adding resistance of  $10 \text{ k}\Omega$  in series with both inputs.

Internal circuitry on each input provides low series impedance under normal signal conditions. If the input is overloaded, the protection circuitry limits the input current to a safe value of approximately  $8 \text{ mA}$ . The typical characteristic curves *Input Current vs Input Overvoltage* ([Figure 17](#) and [Figure 18](#)) illustrate this input current limit behavior. The inputs are protected even if the power supplies are disconnected or turned off.

## INPUT BIAS CURRENT RETURN PATH

The input impedance of the INA826 is extremely high—approximately 20 GΩ. However, a path must be provided for the input bias current of both inputs. This input bias current is typically 35 nA. High input impedance means that this input bias current changes very little with varying input voltage.

Input circuitry must provide a path for this input bias current for proper operation. [Figure 61](#) shows various provisions for an input bias current path. Without a bias current path, the inputs float to a potential that exceeds the common-mode range of the INA826, and the input amplifiers saturate. If the differential source resistance is low, the bias current return path can be connected to one input (as shown in the thermocouple example in [Figure 61](#)). With higher source impedance, using two equal resistors provides a balanced input with possible advantages of lower input offset voltage as a result of bias current and better high-frequency common-mode rejection.



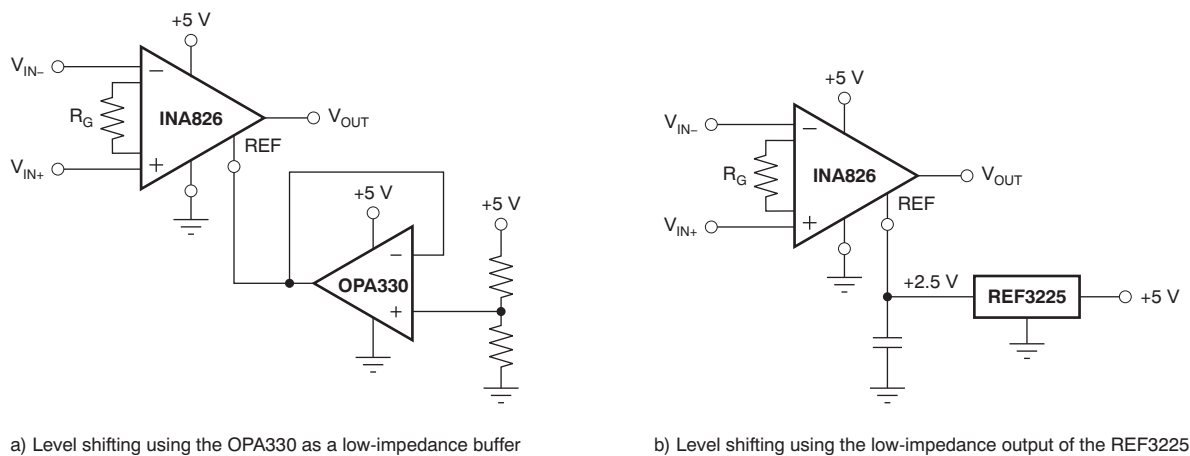
**Figure 61. Providing an Input Common-Mode Current Path**

## REFERENCE TERMINAL

The output voltage of the INA826 is developed with respect to the voltage on the reference terminal. Often, in dual-supply operation, the reference pin (pin 6) is connected to the low-impedance system ground. In single-supply operation, it can be useful to offset the output signal to a precise mid-supply level (for example, 2.5 V in a 5-V supply environment). To accomplish this, a voltage source can be tied to the REF pin to level-shift the output so that the INA826 can drive a single-supply ADC, for example.

For the best performance, source impedance to the REF terminal should be kept below 5  $\Omega$ . As can be seen in [Figure 58](#), the reference resistor is at one end of a 50-k $\Omega$  resistor. Additional impedance at the REF pin adds to this 50-k $\Omega$  resistor. The imbalance in the resistor ratios results in degraded common-mode rejection ratio (CMRR).

[Figure 62](#) shows two different methods of driving the reference pin with low impedance. The [OPA330](#) is a low-power, chopper-stabilized amplifier, and therefore offers excellent stability over temperature. It is available in the space-saving SC70 and even smaller chip-scale package. The [REF3225](#) is a precision reference in the small SOT23-6 package.



**Figure 62. Options for Low-Impedance Level Shifting**

## DYNAMIC PERFORMANCE

The typical characteristic curve *Gain vs Frequency* ([Figure 23](#)) illustrates that, despite its low quiescent current of only 200  $\mu\text{A}$ , the INA826 achieves much wider bandwidth than other INAs in its class. This achievement is a result of using TI's proprietary high-speed precision bipolar process technology. The current-feedback topology provides the INA826 with wide bandwidth even at high gains. Settling time also remains excellent at high gain because of a high slew rate of 1 V/ $\mu\text{s}$ .

## OPERATING VOLTAGE

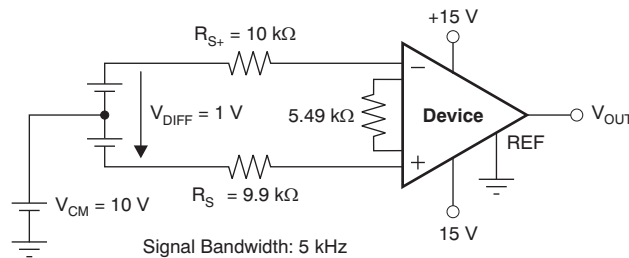
The INA826 operates over a power-supply range of +2.7 V to +36 V ( $\pm 1.35$  V to  $\pm 18$  V). Supply voltages higher than 40 V ( $\pm 20$  V) can permanently damage the device. Parameters that vary over supply voltage or temperature are shown in the [Typical Characteristics](#) section of this data sheet.

## Low-Voltage Operation

The INA826 can operate on power supplies as low as  $\pm 1.35$  V. Most parameters vary only slightly throughout this supply voltage range; see the [Typical Characteristics](#) section. Operation at very low supply voltage requires careful attention to assure that the input voltages remain within the linear range. Voltage swing requirements of internal nodes limit the input common-mode range with low power-supply voltage. The typical characteristic curves *Typical Common-Mode Range vs Output Voltage* (Figure 9 to Figure 16) and *Offset Voltage vs Common-Mode Voltage* (Figure 41 to Figure 44) describe the range of linear operation for various supply voltages, reference connections, and gains.

## ERROR SOURCES

Most modern signal conditioning systems calibrate errors at room temperature. However, calibration of errors that result from a change in temperature is normally difficult and costly. Therefore, it is important to minimize these errors by choosing high-precision components such as the INA826 that have improved specifications in critical areas that impact the precision of the overall system. [Figure 63](#) shows an example application.



**Figure 63. Example Application with  $G = 10$  V/V and 1-V Differential Voltage**

Resistor-adjustable INAs such as the INA826 show the lowest gain error in  $G = 1$  because of the inherently well-matched drift of the internal resistors of the differential amplifier. At gains greater than 1 (for instance,  $G = 10$  V/V or  $G = 100$  V/V) the gain error becomes a significant error source because of the contribution of the resistor drift of the 24.7-k $\Omega$  feedback resistors in conjunction with the external gain resistor. Except for very high gain applications, the gain drift is by far the largest error contributor compared to other drift errors, such as offset drift. The INA826 offers the lowest gain error over temperature in the marketplace for both  $G > 1$  and  $G = 1$  (no external gain resistor). Table 2 summarizes the major error sources in common INA applications and compares the two cases of  $G = 1$  (no external resistor) and  $G = 10$  (5.49-k $\Omega$  external resistor). As can be seen in Table 2, while the static errors (absolute accuracy errors) in  $G = 1$  are almost twice as great as compared to  $G = 10$ , there are much fewer drift errors because of the much lower gain error drift. In most applications, these static errors can readily be removed during calibration in production. All calculations refer the error to the input for easy comparison and system evaluation.

**Table 2. Error Calculation**

ERROR SOURCE	ERROR CALCULATION	INA826		
		SPEC	G = 10 ERROR (ppm)	G = 1 ERROR (ppm)
<b>ABSOLUTE ACCURACY AT +25°C</b>				
Input offset voltage ( $\mu$ V)	$V_{OSI}/V_{DIFF}$	150	150	150
Output offset voltage ( $\mu$ V)	$V_{OSO}/(G \times V_{DIFF})$	700	70	700
Input offset current (nA)	$I_{OS} \times \text{maximum}(R_{S+}, R_{S-})/V_{DIFF}$	5	50	50
CMRR (dB)	$V_{CM}/(10^{CMRR/20} \times V_{DIFF})$	104 (G = 10), 84 (G = 1)	63	631
Total absolute accuracy error (ppm)			333	1531
<b>DRIFT TO +105°C</b>				
Gain drift (ppm/°C)	$GTC \times (T_A - 25)$	35 (G = 10), 1 (G = 1)	2800	80
Input offset voltage drift ( $\mu$ V/°C)	$(V_{OSI\_TC}/V_{DIFF}) \times (T_A - 25)$	2	160	160
Output offset voltage drift ( $\mu$ V/°C)	$[V_{OSO\_TC}/(G \times V_{DIFF})] \times (T_A - 25)$	10	80	800
Offset current drift (pA/°C)	$I_{OS\_TC} \times \text{maximum}(R_{S+}, R_{S-}) \times (T_A - 25)/V_{DIFF}$	60	48	48
Total drift error (ppm)			3088	1088
<b>RESOLUTION</b>				
Gain nonlinearity (ppm of FS)		5	5	5
Voltage noise (1 kHz)	$\sqrt{BW} \times \sqrt{(e_{NI})^2 + \left[\frac{e_{NO}}{G}\right]^2} \times \frac{6}{V_{DIFF}}$	$e_{NI} = 18,$ $e_{NO} = 110$	10	10
Total resolution error (ppm)			15	15
<b>TOTAL ERROR</b>				
Total error	Total error = sum of all error sources		3436	2634

## LAYOUT GUIDELINES

Attention to good layout practices is always recommended. Keep traces short and, when possible, use a printed circuit board (PCB) ground plane with surface-mount components placed as close to the device pins as possible. Place 0.1- $\mu$ F bypass capacitors close to the supply pins. These guidelines should be applied throughout the analog circuit to improve performance and provide benefits such as reducing the electromagnetic-interference (EMI) susceptibility.

## CMRR vs Frequency

The INA826 pinout has been optimized for achieving maximum CMRR performance over a wide range of frequencies. However, care must be taken to ensure that both input paths are well-matched for source impedance and capacitance to avoid converting common-mode signals into differential signals. In addition, parasitic capacitance at the gain-setting pins can also affect CMRR over frequency. For example, in applications that implement gain switching using switches or PhotoMOS<sup>®</sup> relays to change the value of  $R_G$ , the component should be chosen so that the switch capacitance is as small as possible.



APPLICATION IDEAS

Circuit Breaker

Figure 64 shows the INA826 used in a circuit breaker application.

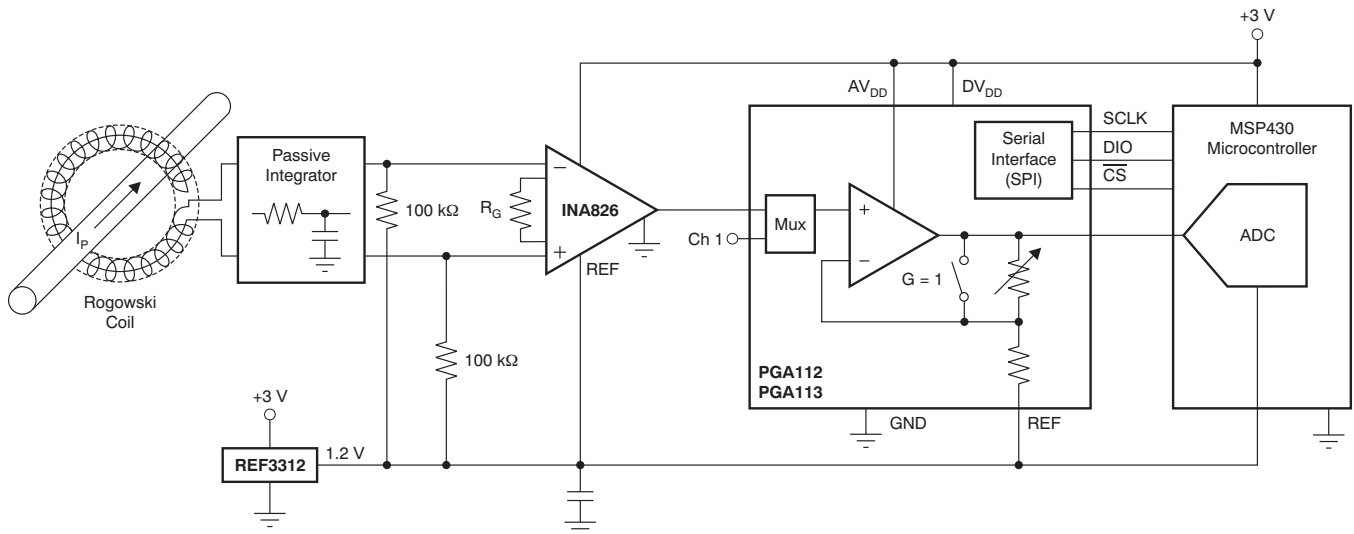


Figure 64. Circuit Breaker Example

Programmable Logic Controller (PLC) Input

The INA826 used in an example programmable logic controller (PLC) input application is shown in Figure 65.

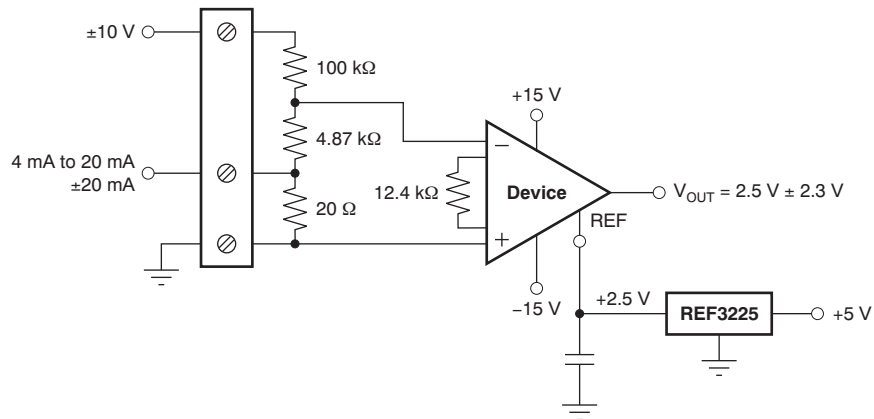


Figure 65. ±10-V, 4-mA to 20-mA PLC Input

Additional application ideas are shown in Figure 66 to Figure 70.

## TINA-TI (FREE DOWNLOAD SOFTWARE)

### Using TINA-TI SPICE-Based Analog Simulation Program with the INA826

TINA is a simple, powerful, and easy-to-use circuit simulation program based on a SPICE engine. TINA-TI is a free, fully functional version of the TINA software, preloaded with a library of macromodels in addition to a range of both passive and active models. It provides all the conventional dc, transient, and frequency domain analysis of SPICE as well as additional design capabilities.

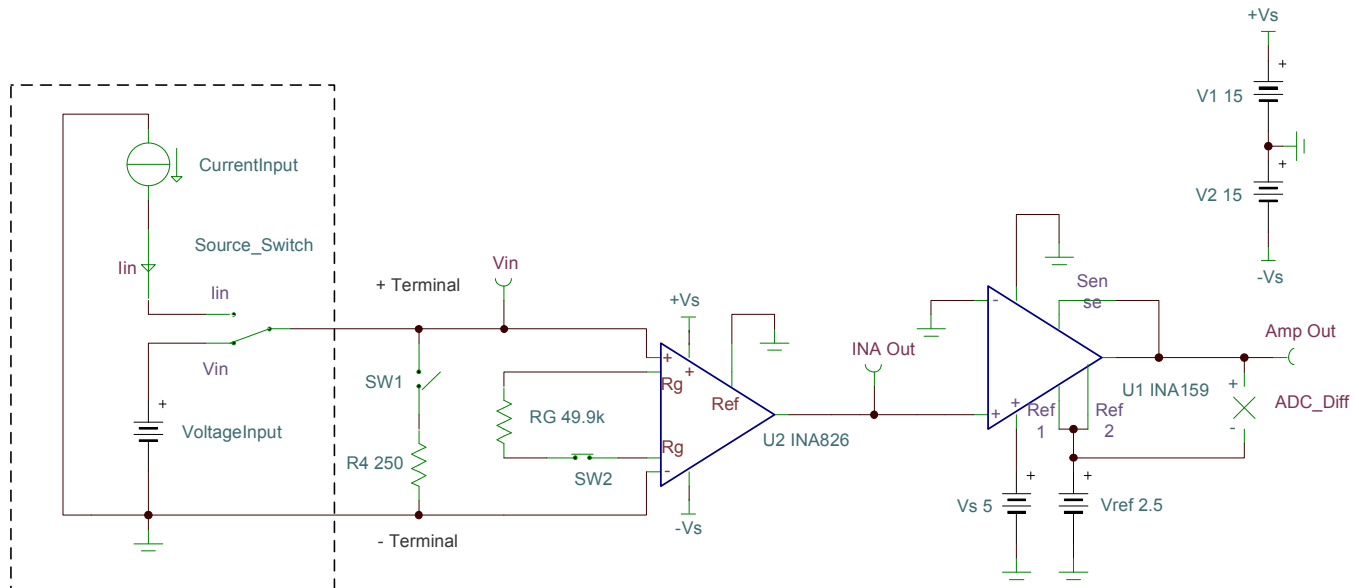
Available as a [free download from the Analog eLab Design Center](#), TINA-TI offers extensive post-processing capability that allows users to format results in a variety of ways.

Virtual instruments offer users the ability to select input waveforms and probe circuit nodes, voltages, and waveforms, creating a dynamic quick-start tool.

[Figure 66](#) and [Figure 68](#) show example TINA-TI circuits for the INA826 that can be used to develop, modify, and assess the circuit design for specific applications. Links to download these simulation files are given below.

**NOTE:** These files require that either the TINA software (from DesignSoft) or TINA-TI software be installed. Download the free TINA-TI software from the [TINA-TI folder](#).

The circuit in [Figure 66](#) is used to convert inputs of  $\pm 10$  V,  $\pm 5$  V, or  $\pm 20$  mA to an output voltage range from 0.5 V to 4.5 V. The input selection depends on the settings of SW<sub>1</sub> and SW<sub>2</sub>. Further explanation as well as the TINA-TI simulation circuit is provided in the compressed file that can be downloaded at the following link: [PLC Circuit](#).



**Figure 66. Two Terminal Programmable Logic Controller (PLC) Input**

Figure 67 is an example of a LEAD I ECG circuit. The input signals come from leads attached to the right arm (RA) and left arm (LA). These signals are simulated with the circuitry in the corresponding boxes. Protection resistors ( $R_{PROT1}$  and  $R_{PROT2}$ ) and filtering are also provided. The OPA333 is used as an integrator to remove the gained-up dc offsets and servo the INA826 outputs to  $V_{REF}$ . Finally, the right leg drive is biased to a potential ( $+V_S/2$ ) and it inverts and amplifies the average common-mode signal back into the patient's right leg. This architecture reduces the 50-/60-Hz noise pickup. Click the following link to download the TINA-TI file: [ECG Circuit](#).

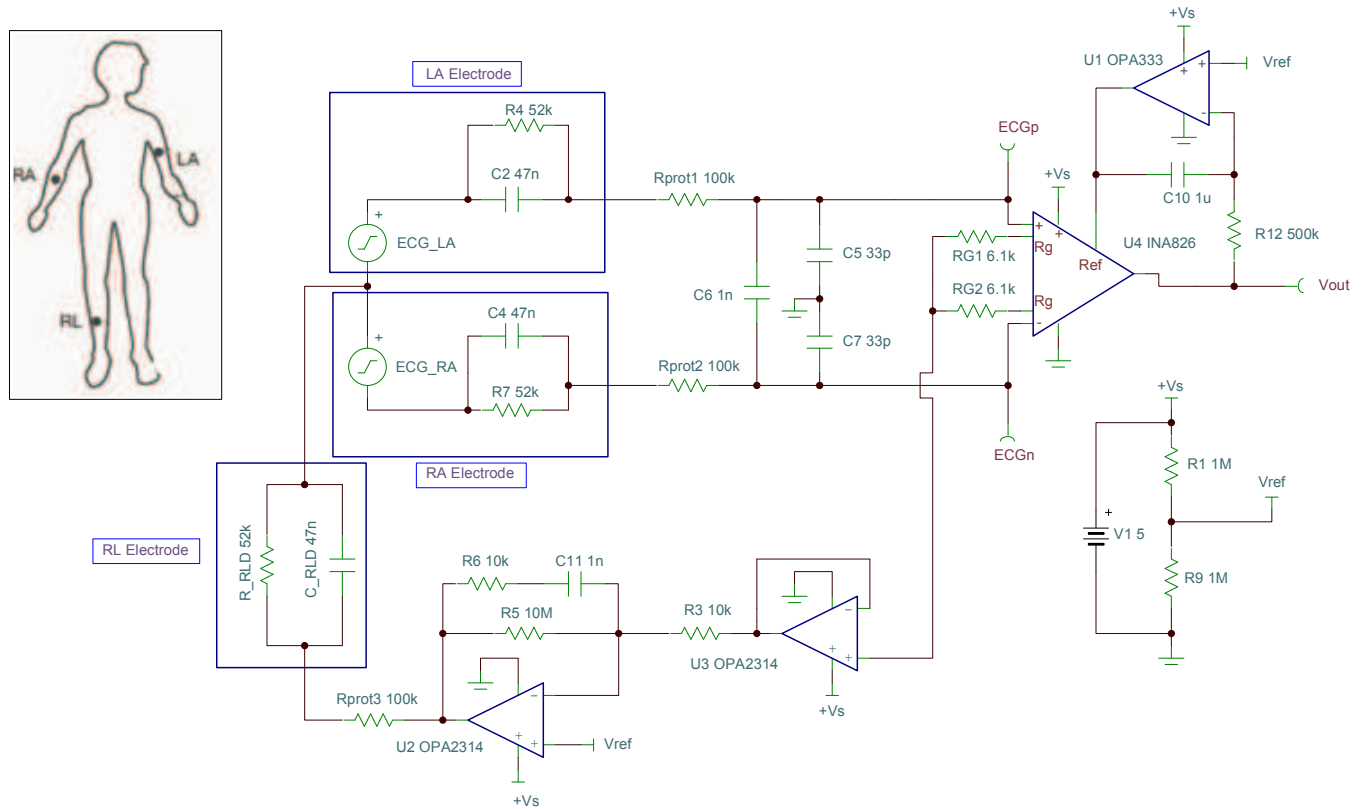


Figure 67. ECG Circuit

Figure 68 shows an example of how the INA826 can be used for low-side current sensing. The load current ( $I_{LOAD}$ ) creates a voltage drop across the shunt resistor ( $R_{SHUNT}$ ). This voltage is amplified by the INA826, with gain set to 100. The output swing of the INA826 is set by the common-mode voltage (which is 0 V in low-side current sensing) and power supplies. Therefore, a dual-supply circuit is implemented. The load current was set from 1 A to 10 A, which corresponds to an output voltage range from 350 mV to 3.5 V. The output range can be adjusted by changing the shunt resistor and/or the gain of the INA826. Click the following link to download the TINA-TI file: [Current Sensing Circuit](#).

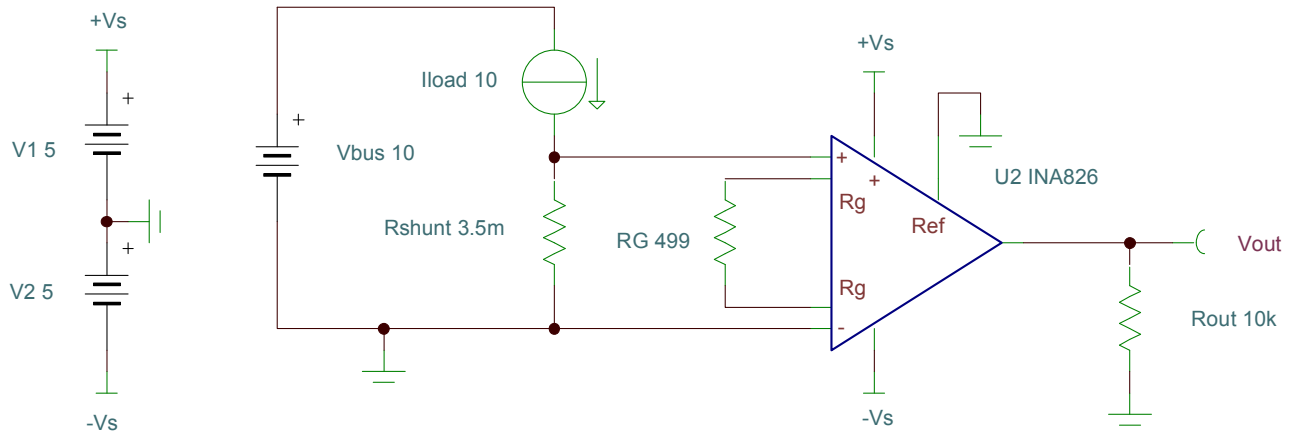


Figure 68. Low-Side Current Sensing

Figure 69 shows an example of how the INA826 can be used for RTD signal conditioning. This circuit creates an excitation current ( $I_{SET}$ ) by forcing +2.5 V from the REF5025 across  $R_{SET}$ . The zero-drift, low-noise OPA188 creates the virtual ground that maintains a constant differential voltage across  $R_{SET}$  with changing common-mode voltage. This voltage is necessary because the voltage on the positive input of the INA826 fluctuates over temperature as a result of the changing RTD resistance. Click the following link to download the TINA-TI file: [RTD Circuit](#).

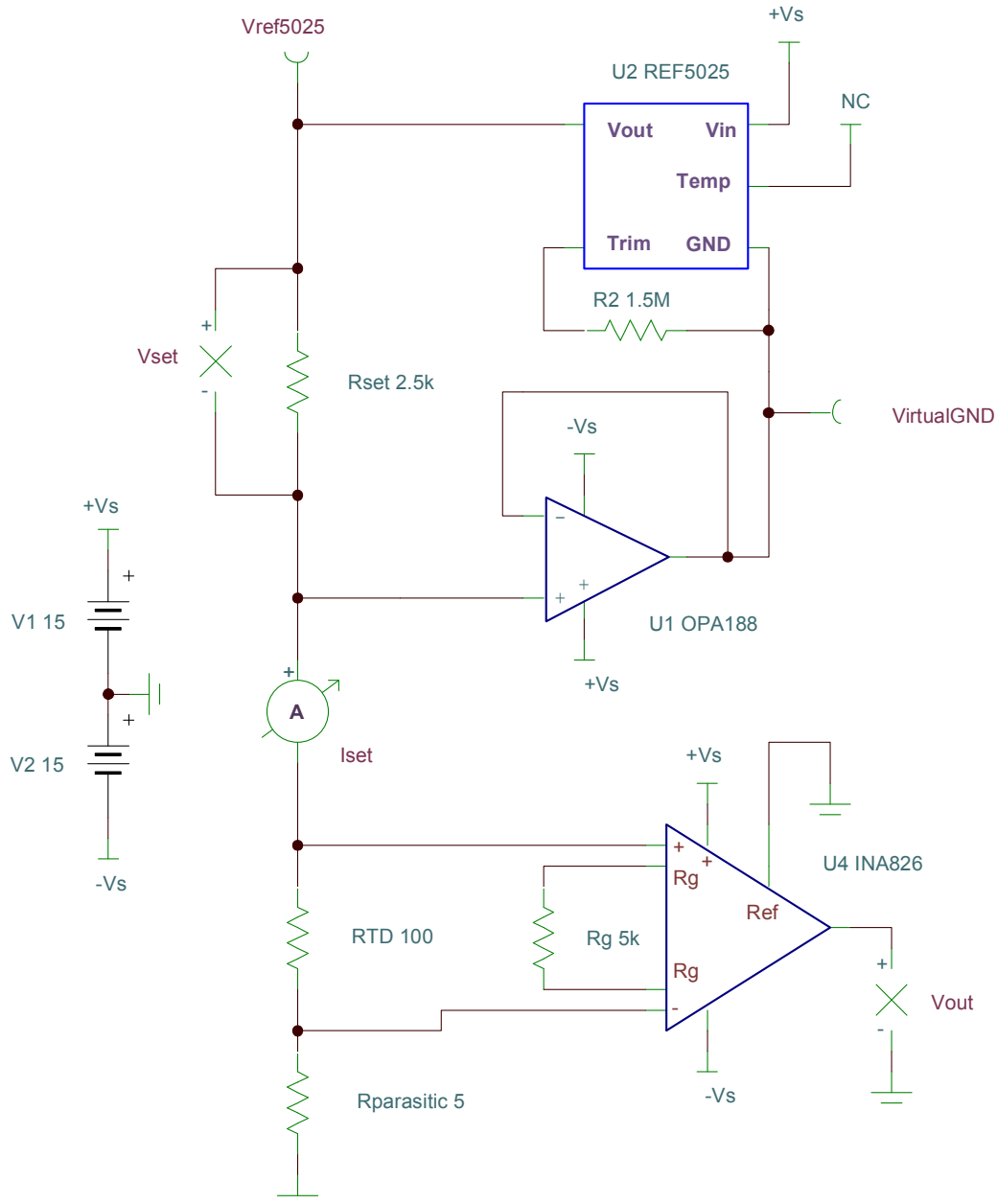


Figure 69. RTD Signal Conditioning

The circuit in [Figure 70](#) creates a precision current  $I_{SET}$  by forcing the INA826  $V_{DIFF}$  across  $R_{SET}$ . The input voltage  $V_{IN}$  is amplified to the output of the INA826 and then divided down by the gain of the INA826 to create  $V_{DIFF}$ .  $I_{SET}$  can be controlled either by changing the value of the gain-set resistor  $R_G$ , the set resistor  $R_{SET}$ , or by changing  $V_{OUT}$  through the gain of the composite loop. Care must be taken to ensure that the changing load resistance  $R_L$  does not create a voltage on the negative input of the INA826 that violates the compliance of the common-mode input range. Likewise, the voltage on the output of the OPA170 must remain compliant throughout the changing load resistance for this circuit to work properly. Click the following link to download the TINA-TI file: [Current Source](#).

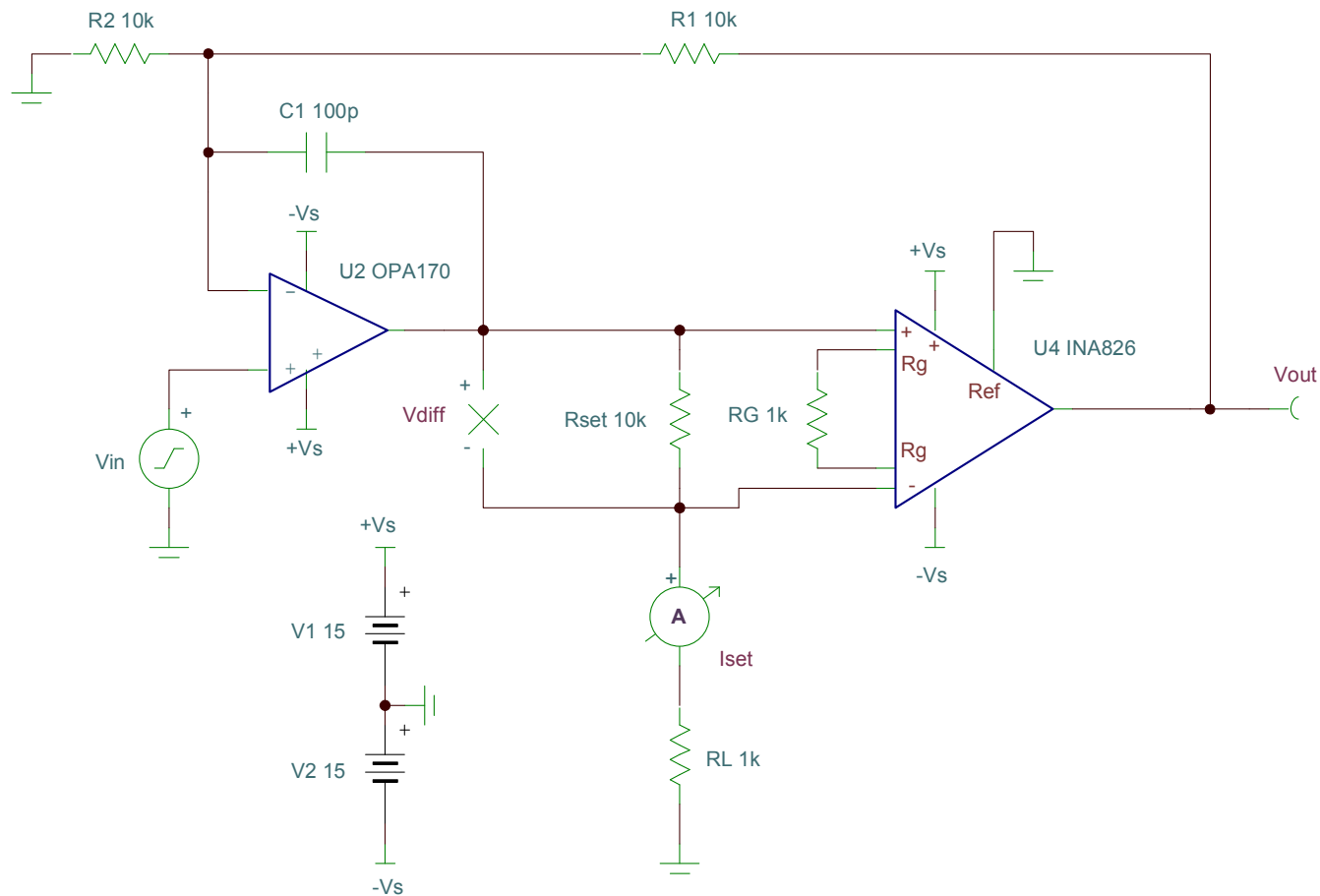
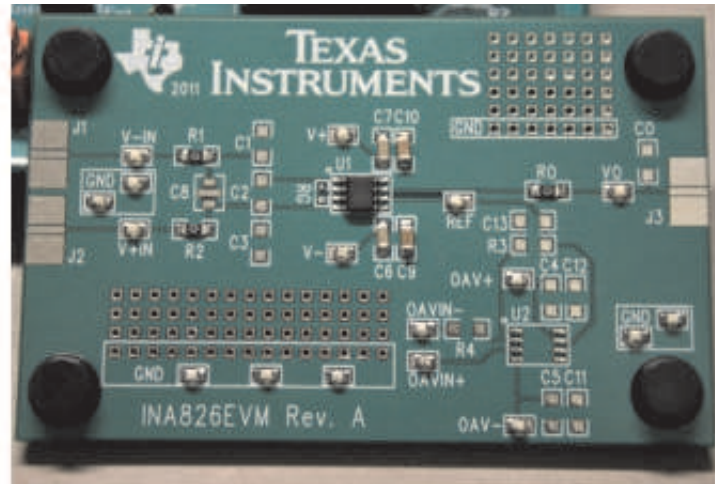


Figure 70. Precision Current Source

## EVALUATION MODULE (EVM)

The INA826EVM is intended to provide basic functional evaluation of the INA826. A diagram of the INA826EVM is provided in [Figure 71](#).



**Figure 71. INA826 Evaluation Module**

The INA826 provides the following features:

- Intuitive evaluation with silkscreen schematic
- Easy access to nodes with surface-mount test points
- Advanced evaluation with two prototype areas
- Reference voltage source flexibility
- Convenient input and output filtering

The [INA826EVM User Guide \(SBOU115\)](#) available for download at [www.ti.com](http://www.ti.com) provides instructions on how to set up the device for dual- and single-supply operation. The user guide also includes schematics, layout, and a bill of material (BOM).

## REVISION HISTORY

NOTE: Page numbers for previous revisions may differ from page numbers in the current version.

---

**Changes from Revision C (March 2012) to Revision D** **Page**

- Changed Input voltage range parameter specification value in *Absolute Maximum Ratings* table ..... 2
- 

**Changes from Revision B (December 2011) to Revision C** **Page**

- Changed product status from Mixed Status to Production Data ..... 1
  - Changed DFN-8 package to production data ..... 2
  - Deleted gray shading and footnote 2 from Package/Ordering Information table ..... 2
- 

**Changes from Revision A (September 2011) to Revision B** **Page**

- Deleted gray from SO-8 row in Package/Ordering Information ..... 2
-



**PACKAGING INFORMATION**

Orderable Device	Status (1)	Package Type	Package Drawing	Pins	Package Qty	Eco Plan (2)	Lead/Ball Finish	MSL Peak Temp (3)	Op Temp (°C)	Top-Side Markings (4)	Samples
INA826AID	ACTIVE	SOIC	D	8	75	Green (RoHS & no Sb/Br)	CU NIPDAU	Level-2-260C-1 YEAR	-40 to 125	INA826	<a href="#">Samples</a>
INA826AIDGK	ACTIVE	VSSOP	DGK	8	80	Green (RoHS & no Sb/Br)	CU NIPDAU	Level-2-260C-1 YEAR	-40 to 125	IPDI	<a href="#">Samples</a>
INA826AIDGKR	ACTIVE	VSSOP	DGK	8	2500	Green (RoHS & no Sb/Br)	CU NIPDAU	Level-2-260C-1 YEAR	-40 to 125	IPDI	<a href="#">Samples</a>
INA826AIDR	ACTIVE	SOIC	D	8	2500	Green (RoHS & no Sb/Br)	CU NIPDAU	Level-2-260C-1 YEAR	-40 to 125	INA826	<a href="#">Samples</a>
INA826AIDRGR	ACTIVE	SON	DRG	8	1000	Green (RoHS & no Sb/Br)	CU NIPDAU	Level-2-260C-1 YEAR	-40 to 125	IPEI	<a href="#">Samples</a>
INA826AIDRGT	ACTIVE	SON	DRG	8	250	Green (RoHS & no Sb/Br)	CU NIPDAU	Level-2-260C-1 YEAR	-40 to 125	IPEI	<a href="#">Samples</a>

(1) The marketing status values are defined as follows:

**ACTIVE:** Product device recommended for new designs.

**LIFEBUY:** TI has announced that the device will be discontinued, and a lifetime-buy period is in effect.

**NRND:** Not recommended for new designs. Device is in production to support existing customers, but TI does not recommend using this part in a new design.

**PREVIEW:** Device has been announced but is not in production. Samples may or may not be available.

**OBSOLETE:** TI has discontinued the production of the device.

(2) Eco Plan - The planned eco-friendly classification: Pb-Free (RoHS), Pb-Free (RoHS Exempt), or Green (RoHS & no Sb/Br) - please check <http://www.ti.com/productcontent> for the latest availability information and additional product content details.

**TBD:** The Pb-Free/Green conversion plan has not been defined.

**Pb-Free (RoHS):** TI's terms "Lead-Free" or "Pb-Free" mean semiconductor products that are compatible with the current RoHS requirements for all 6 substances, including the requirement that lead not exceed 0.1% by weight in homogeneous materials. Where designed to be soldered at high temperatures, TI Pb-Free products are suitable for use in specified lead-free processes.

**Pb-Free (RoHS Exempt):** This component has a RoHS exemption for either 1) lead-based flip-chip solder bumps used between the die and package, or 2) lead-based die adhesive used between the die and leadframe. The component is otherwise considered Pb-Free (RoHS compatible) as defined above.

**Green (RoHS & no Sb/Br):** TI defines "Green" to mean Pb-Free (RoHS compatible), and free of Bromine (Br) and Antimony (Sb) based flame retardants (Br or Sb do not exceed 0.1% by weight in homogeneous material)

(3) MSL, Peak Temp. -- The Moisture Sensitivity Level rating according to the JEDEC industry standard classifications, and peak solder temperature.

(4) Only one of markings shown within the brackets will appear on the physical device.

**Important Information and Disclaimer:** The information provided on this page represents TI's knowledge and belief as of the date that it is provided. TI bases its knowledge and belief on information provided by third parties, and makes no representation or warranty as to the accuracy of such information. Efforts are underway to better integrate information from third parties. TI has taken and

continues to take reasonable steps to provide representative and accurate information but may not have conducted destructive testing or chemical analysis on incoming materials and chemicals. TI and TI suppliers consider certain information to be proprietary, and thus CAS numbers and other limited information may not be available for release.

In no event shall TI's liability arising out of such information exceed the total purchase price of the TI part(s) at issue in this document sold by TI to Customer on an annual basis.

**TAPE AND REEL INFORMATION**

**QUADRANT ASSIGNMENTS FOR PIN 1 ORIENTATION IN TAPE**


\*All dimensions are nominal

Device	Package Type	Package Drawing	Pins	SPQ	Reel Diameter (mm)	Reel Width W1 (mm)	A0 (mm)	B0 (mm)	K0 (mm)	P1 (mm)	W (mm)	Pin1 Quadrant
INA826AIDGKR	VSSOP	DGK	8	2500	330.0	12.4	5.3	3.4	1.4	8.0	12.0	Q1
INA826AIDR	SOIC	D	8	2500	330.0	12.4	6.4	5.2	2.1	8.0	12.0	Q1
INA826AIDRGR	SON	DRG	8	1000	330.0	12.4	3.3	3.3	1.1	8.0	12.0	Q2
INA826AIDRGT	SON	DRG	8	250	180.0	12.4	3.3	3.3	1.1	8.0	12.0	Q2

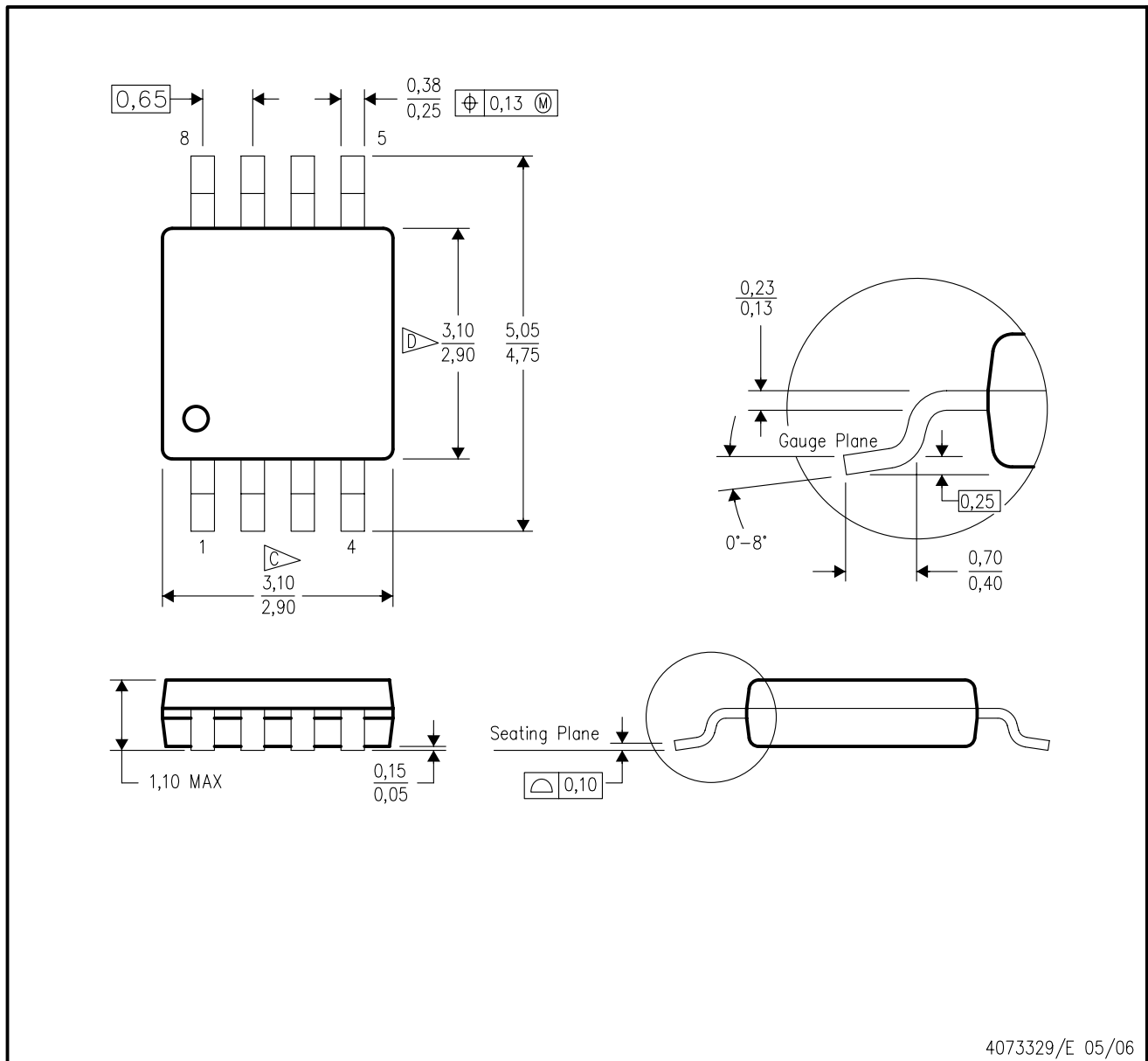
**TAPE AND REEL BOX DIMENSIONS**


\*All dimensions are nominal

Device	Package Type	Package Drawing	Pins	SPQ	Length (mm)	Width (mm)	Height (mm)
INA826AIDGKR	VSSOP	DGK	8	2500	358.0	335.0	35.0
INA826AIDR	SOIC	D	8	2500	367.0	367.0	35.0
INA826AIDRGR	SON	DRG	8	1000	367.0	367.0	35.0
INA826AIDRGT	SON	DRG	8	250	210.0	185.0	35.0

DGK (S-PDSO-G8)

PLASTIC SMALL-OUTLINE PACKAGE



4073329/E 05/06

- NOTES:
- A. All linear dimensions are in millimeters.
  - B. This drawing is subject to change without notice.
  - C. Body length does not include mold flash, protrusions, or gate burrs. Mold flash, protrusions, or gate burrs shall not exceed 0.15 per end.
  - D. Body width does not include interlead flash. Interlead flash shall not exceed 0.50 per side.
  - E. Falls within JEDEC MO-187 variation AA, except interlead flash.

DRG (S-PWSON-N8)

PLASTIC SMALL OUTLINE NO-LEAD



- NOTES:
- A. All linear dimensions are in millimeters. Dimensioning and tolerancing per ASME Y14.5M-1994.
  - B. This drawing is subject to change without notice.
  - C. SON (Small Outline No-Lead) package configuration.
  - D. The package thermal pad must be soldered to the board for thermal and mechanical performance. See the Product Data Sheet for details regarding the exposed thermal pad dimensions.
  - E. JEDEC MO-229 package registration pending.

# THERMAL PAD MECHANICAL DATA

DRG (S-PWSON-N8)

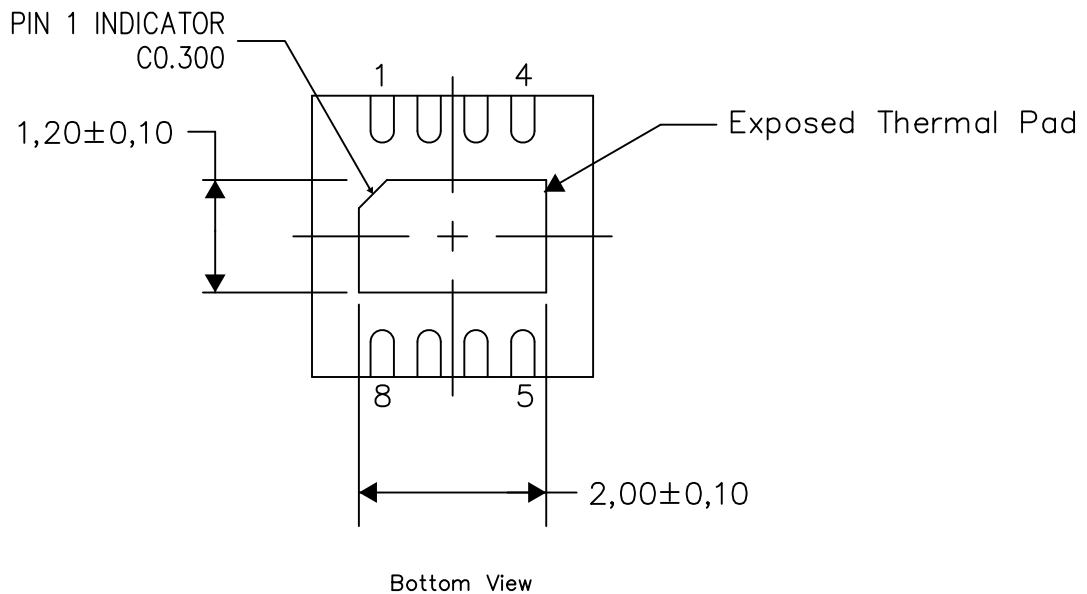
PLASTIC SMALL OUTLINE NO-LEAD

## THERMAL INFORMATION

This package incorporates an exposed thermal pad that is designed to be attached directly to an external heatsink. The thermal pad must be soldered directly to the printed circuit board (PCB). After soldering, the PCB can be used as a heatsink. In addition, through the use of thermal vias, the thermal pad can be attached directly to the appropriate copper plane shown in the electrical schematic for the device, or alternatively, can be attached to a special heatsink structure designed into the PCB. This design optimizes the heat transfer from the integrated circuit (IC).

For information on the Quad Flatpack No-Lead (QFN) package and its advantages, refer to Application Report, QFN/SON PCB Attachment, Texas Instruments Literature No. SLUA271. This document is available at [www.ti.com](http://www.ti.com).

The exposed thermal pad dimensions for this package are shown in the following illustration.



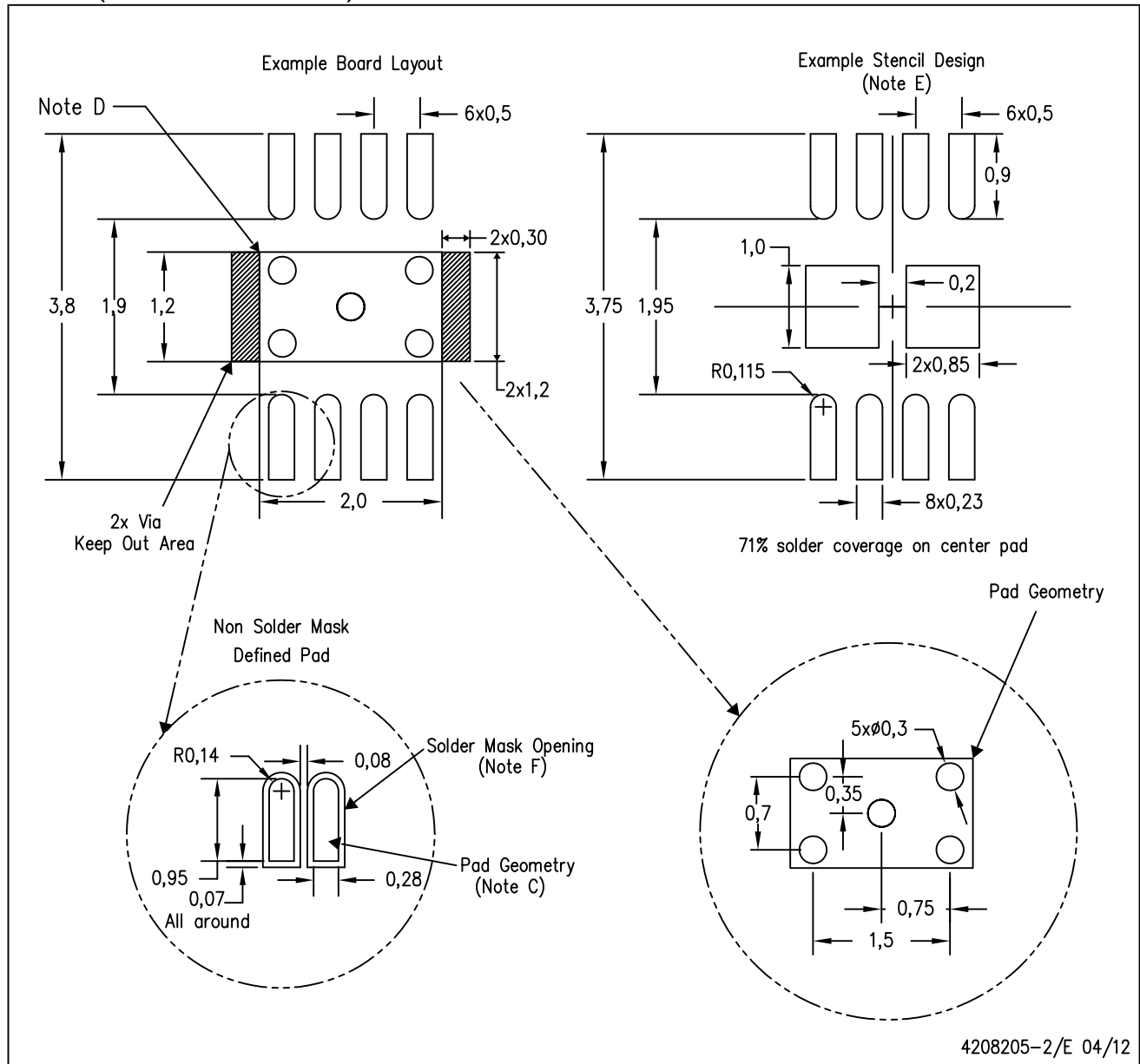
Exposed Thermal Pad Dimensions

4206881-2/G 04/12

NOTE: All linear dimensions are in millimeters

DRG (S-PWSON-N8)

PLASTIC SMALL OUTLINE NO-LEAD



4208205-2/E 04/12

- NOTES:
- A. All linear dimensions are in millimeters.
  - B. This drawing is subject to change without notice.
  - C. Publication IPC-SM-782 is recommended for alternate designs.
  - D. This package is designed to be soldered to a thermal pad on the board. Refer to Application Note, Quad Flat-Pack Packages, Texas Instruments Literature No. SLUA271, and also the Product Data Sheets for specific thermal information, via requirements, and recommended board layout. These documents are available at [www.ti.com](http://www.ti.com) <<http://www.ti.com>>.
  - E. Laser cutting apertures with trapezoidal walls and also rounding corners will offer better paste release. Customers should contact their board assembly site for stencil design recommendations. Refer to IPC 7525 for stencil design considerations.
  - F. Customers should contact their board fabrication site for minimum solder mask web tolerances between signal pads.





D (R-PDSO-G8)

PLASTIC SMALL OUTLINE



- NOTES:
- All linear dimensions are in millimeters.
  - This drawing is subject to change without notice.
  - Publication IPC-7351 is recommended for alternate designs.
  - Laser cutting apertures with trapezoidal walls and also rounding corners will offer better paste release. Customers should contact their board assembly site for stencil design recommendations. Refer to IPC-7525 for other stencil recommendations.
  - Customers should contact their board fabrication site for solder mask tolerances between and around signal pads.

## IMPORTANT NOTICE

Texas Instruments Incorporated and its subsidiaries (TI) reserve the right to make corrections, enhancements, improvements and other changes to its semiconductor products and services per JESD46, latest issue, and to discontinue any product or service per JESD48, latest issue. Buyers should obtain the latest relevant information before placing orders and should verify that such information is current and complete. All semiconductor products (also referred to herein as "components") are sold subject to TI's terms and conditions of sale supplied at the time of order acknowledgment.

TI warrants performance of its components to the specifications applicable at the time of sale, in accordance with the warranty in TI's terms and conditions of sale of semiconductor products. Testing and other quality control techniques are used to the extent TI deems necessary to support this warranty. Except where mandated by applicable law, testing of all parameters of each component is not necessarily performed.

TI assumes no liability for applications assistance or the design of Buyers' products. Buyers are responsible for their products and applications using TI components. To minimize the risks associated with Buyers' products and applications, Buyers should provide adequate design and operating safeguards.

TI does not warrant or represent that any license, either express or implied, is granted under any patent right, copyright, mask work right, or other intellectual property right relating to any combination, machine, or process in which TI components or services are used. Information published by TI regarding third-party products or services does not constitute a license to use such products or services or a warranty or endorsement thereof. Use of such information may require a license from a third party under the patents or other intellectual property of the third party, or a license from TI under the patents or other intellectual property of TI.

Reproduction of significant portions of TI information in TI data books or data sheets is permissible only if reproduction is without alteration and is accompanied by all associated warranties, conditions, limitations, and notices. TI is not responsible or liable for such altered documentation. Information of third parties may be subject to additional restrictions.

Resale of TI components or services with statements different from or beyond the parameters stated by TI for that component or service voids all express and any implied warranties for the associated TI component or service and is an unfair and deceptive business practice. TI is not responsible or liable for any such statements.

Buyer acknowledges and agrees that it is solely responsible for compliance with all legal, regulatory and safety-related requirements concerning its products, and any use of TI components in its applications, notwithstanding any applications-related information or support that may be provided by TI. Buyer represents and agrees that it has all the necessary expertise to create and implement safeguards which anticipate dangerous consequences of failures, monitor failures and their consequences, lessen the likelihood of failures that might cause harm and take appropriate remedial actions. Buyer will fully indemnify TI and its representatives against any damages arising out of the use of any TI components in safety-critical applications.

In some cases, TI components may be promoted specifically to facilitate safety-related applications. With such components, TI's goal is to help enable customers to design and create their own end-product solutions that meet applicable functional safety standards and requirements. Nonetheless, such components are subject to these terms.

No TI components are authorized for use in FDA Class III (or similar life-critical medical equipment) unless authorized officers of the parties have executed a special agreement specifically governing such use.

Only those TI components which TI has specifically designated as military grade or "enhanced plastic" are designed and intended for use in military/aerospace applications or environments. Buyer acknowledges and agrees that any military or aerospace use of TI components which have **not** been so designated is solely at the Buyer's risk, and that Buyer is solely responsible for compliance with all legal and regulatory requirements in connection with such use.

TI has specifically designated certain components as meeting ISO/TS16949 requirements, mainly for automotive use. In any case of use of non-designated products, TI will not be responsible for any failure to meet ISO/TS16949.

### Products

Audio	<a href="http://www.ti.com/audio">www.ti.com/audio</a>
Amplifiers	<a href="http://amplifier.ti.com">amplifier.ti.com</a>
Data Converters	<a href="http://dataconverter.ti.com">dataconverter.ti.com</a>
DLP® Products	<a href="http://www.dlp.com">www.dlp.com</a>
DSP	<a href="http://dsp.ti.com">dsp.ti.com</a>
Clocks and Timers	<a href="http://www.ti.com/clocks">www.ti.com/clocks</a>
Interface	<a href="http://interface.ti.com">interface.ti.com</a>
Logic	<a href="http://logic.ti.com">logic.ti.com</a>
Power Mgmt	<a href="http://power.ti.com">power.ti.com</a>
Microcontrollers	<a href="http://microcontroller.ti.com">microcontroller.ti.com</a>
RFID	<a href="http://www.ti-rfid.com">www.ti-rfid.com</a>
OMAP Applications Processors	<a href="http://www.ti.com/omap">www.ti.com/omap</a>
Wireless Connectivity	<a href="http://www.ti.com/wirelessconnectivity">www.ti.com/wirelessconnectivity</a>

### Applications

Automotive and Transportation	<a href="http://www.ti.com/automotive">www.ti.com/automotive</a>
Communications and Telecom	<a href="http://www.ti.com/communications">www.ti.com/communications</a>
Computers and Peripherals	<a href="http://www.ti.com/computers">www.ti.com/computers</a>
Consumer Electronics	<a href="http://www.ti.com/consumer-apps">www.ti.com/consumer-apps</a>
Energy and Lighting	<a href="http://www.ti.com/energy">www.ti.com/energy</a>
Industrial	<a href="http://www.ti.com/industrial">www.ti.com/industrial</a>
Medical	<a href="http://www.ti.com/medical">www.ti.com/medical</a>
Security	<a href="http://www.ti.com/security">www.ti.com/security</a>
Space, Avionics and Defense	<a href="http://www.ti.com/space-avionics-defense">www.ti.com/space-avionics-defense</a>
Video and Imaging	<a href="http://www.ti.com/video">www.ti.com/video</a>

### TI E2E Community

[e2e.ti.com](http://e2e.ti.com)



## Стандарт Электрон Связь

Мы молодая и активно развивающаяся компания в области поставок электронных компонентов. Мы поставляем электронные компоненты отечественного и импортного производства напрямую от производителей и с крупнейших складов мира.

Благодаря сотрудничеству с мировыми поставщиками мы осуществляем комплексные и плановые поставки широчайшего спектра электронных компонентов.

Собственная эффективная логистика и склад в обеспечивает надежную поставку продукции в точно указанные сроки по всей России.

Мы осуществляем техническую поддержку нашим клиентам и предпродажную проверку качества продукции. На все поставляемые продукты мы предоставляем гарантию .

Осуществляем поставки продукции под контролем ВП МО РФ на предприятия военно-промышленного комплекса России , а также работаем в рамках 275 ФЗ с открытием отдельных счетов в уполномоченном банке. Система менеджмента качества компании соответствует требованиям ГОСТ ISO 9001.

Минимальные сроки поставки, гибкие цены, неограниченный ассортимент и индивидуальный подход к клиентам являются основой для выстраивания долгосрочного и эффективного сотрудничества с предприятиями радиоэлектронной промышленности, предприятиями ВПК и научно-исследовательскими институтами России.

С нами вы становитесь еще успешнее!

### Наши контакты:

**Телефон:** +7 812 627 14 35

**Электронная почта:** [sales@st-electron.ru](mailto:sales@st-electron.ru)

**Адрес:** 198099, Санкт-Петербург,  
Промышленная ул, дом № 19, литера Н,  
помещение 100-Н Офис 331