

### Typical Applications

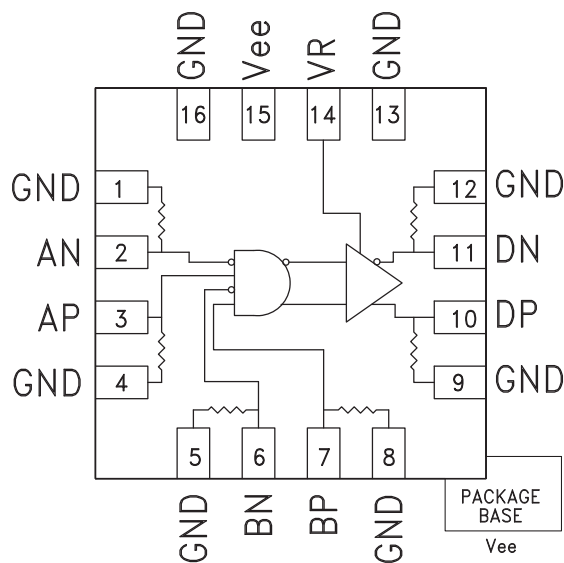
The HMC722LP3E is ideal for:

- RF ATE Applications
- Broadband Test & Measurement
- Serial Data Transmission up to 13 Gbps
- Digital Logic Systems up to 13 GHz
- NRZ-to-RZ Conversion

### Features

- Supports High Data Rates: up to 13 Gbps
- Differential & Single-Ended Operation
- Fast Rise and Fall Times: 19 / 18 ps
- Low Power Consumption: 230 mW typ.
- Programmable Differential Output Voltage Swing: 600 - 1100 mV
- Propagation Delay: 95 ps
- Single Supply: -3.3V
- 16 Lead 3x3 mm SMT Package: 9 mm<sup>2</sup>

### Functional Diagram



### General Description

The HMC722LP3E is an AND/NAND/OR/NOR function designed to support data transmission rates of up to 13 Gbps, and clock frequencies as high as 13 GHz. The HMC722LP3E may be easily configured to provide any of the following logic functions: AND, NAND, OR and NOR. The HMC722LP3E also features an output level control pin, VR, which allows for loss compensation or for signal level optimization.

All input signals to the HMC722LP3E are terminated with 50 Ohms to ground on-chip, and may be either AC or DC coupled. The differential outputs of the HMC722LP3E may be either AC or DC coupled. Outputs can be connected directly to a 50 Ohm to ground terminated system, while DC blocking capacitors may be used if the terminating system is 50 Ohms to a non-ground DC voltage. The HMC722LP3E operates from a single -3.3V DC supply, and is available in a RoHS compliant 3x3 mm SMT package.

### Electrical Specifications, $T_A = +25\text{ }^\circ\text{C}$ , $V_{ee} = -3.3\text{V}$

| Parameter            | Conditions                 | Min. | Typ. | Max  | Units |
|----------------------|----------------------------|------|------|------|-------|
| Power Supply Voltage |                            | -3.6 | -3.3 | -3.0 | V     |
| Power Supply Current |                            |      | 70   |      | mA    |
| Maximum Data Rate    |                            |      | 13   |      | Gbps  |
| Maximum Clock Rate   |                            |      | 13   |      | GHz   |
| Input High Voltage   |                            | -0.5 |      | 0.5  | V     |
| Input Low Voltage    |                            | -1.0 |      | 0.0  | V     |
| Input Return Loss    | Frequency <13 GHz          |      | 10   |      | dB    |
| Output Amplitude     | Single-Ended, peak-to-peak |      | 550  |      | mVp-p |
|                      | Differential, peak-to-peak |      | 1100 |      | mVp-p |
| Output High Voltage  |                            |      | -10  |      | mV    |

For price, delivery and to place orders: Hittite Microwave Corporation, 20 Alpha Road, Chelmsford, MA 01824

Phone: 978-250-3343 Fax: 978-250-3373 Order On-line at [www.hittite.com](http://www.hittite.com)

Application Support: Phone: 978-250-3343 or [apps@hittite.com](mailto:apps@hittite.com)



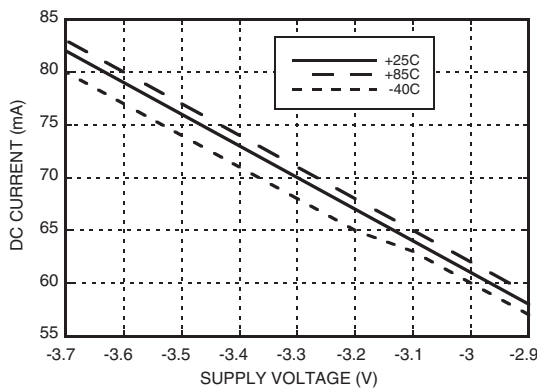
## 13 Gbps, FAST RISE TIME AND/NAND/OR/NOR GATE, w/ PROGRAMMABLE OUTPUT VOLTAGE

### Electrical Specifications, (continued)

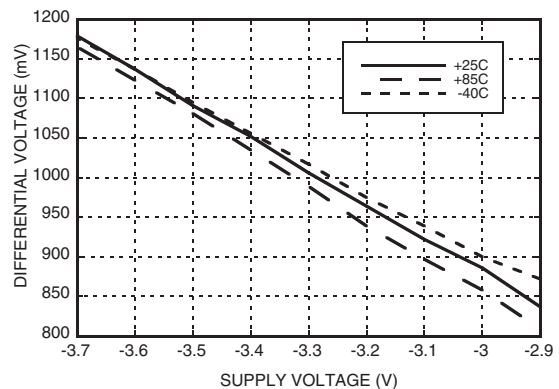
| Parameter                | Conditions                                      | Min. | Typ.    | Max | Units  |
|--------------------------|-------------------------------------------------|------|---------|-----|--------|
| Output Low Voltage       |                                                 |      | -570    |     | mV     |
| Output Rise / Fall Time  | Differential, 20% - 80%                         |      | 19 / 18 |     | ps     |
| Output Return Loss       | Frequency <13 GHz                               |      | 10      |     | dB     |
| Small Signal Gain        |                                                 |      | 27      |     | dB     |
| Random Jitter Jr         | rms                                             |      |         | 0.2 | ps rms |
| Deterministic Jitter, Jd | peak-to-peak, 2 <sup>15</sup> -1 PRBS input [1] |      | 2       |     | ps, pp |
| Propagation Delay, td    |                                                 |      | 95      |     | ps     |

[1] Deterministic jitter calculated by simultaneously measuring the jitter of a 300 mV, 13 GHz, 2<sup>15</sup>-1 PRBS input, and a single-ended output

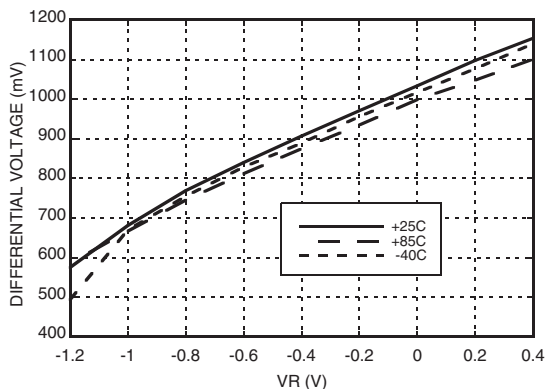
**DC Current vs. Supply Voltage [1] [2]**



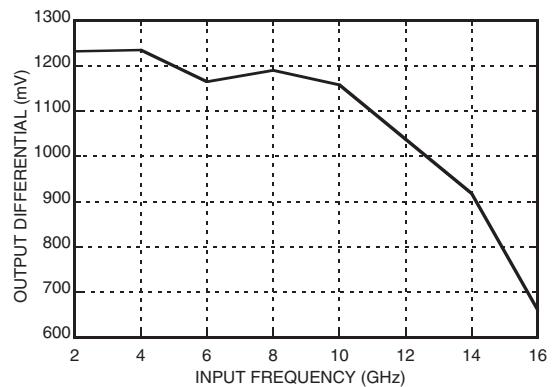
**Output Differential vs. Supply Voltage [1] [3]**



**Output Differential vs. VR [2]**



**Output Differential vs. Frequency [3]**



[1] VR = 0.0V

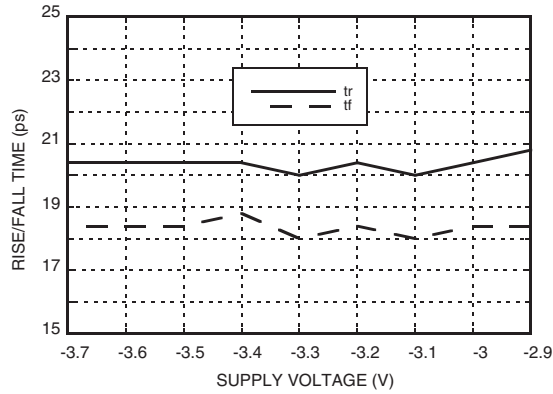
[2] Frequency = 13 GHz

[3] Frequency = 10 GHz

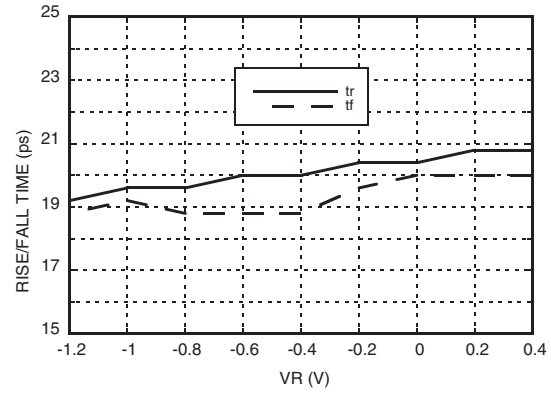


## 13 Gbps, FAST RISE TIME AND/NAND/OR/NOR GATE, w/ PROGRAMMABLE OUTPUT VOLTAGE

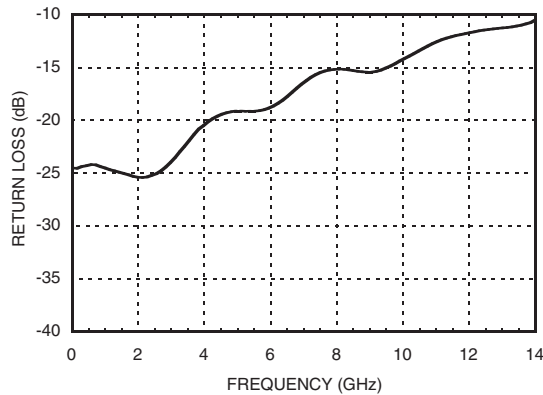
**Rise / Fall Time vs. Supply Voltage [3]**



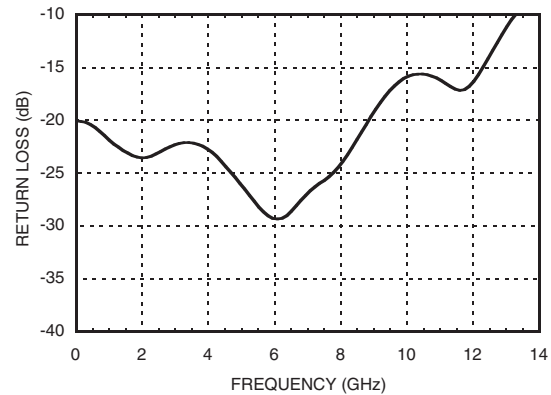
**Rise / Fall Time vs. VR [3]**



**Input Return Loss vs. Frequency**



**Output Return Loss vs. Frequency**



[1] VR = 0.0V

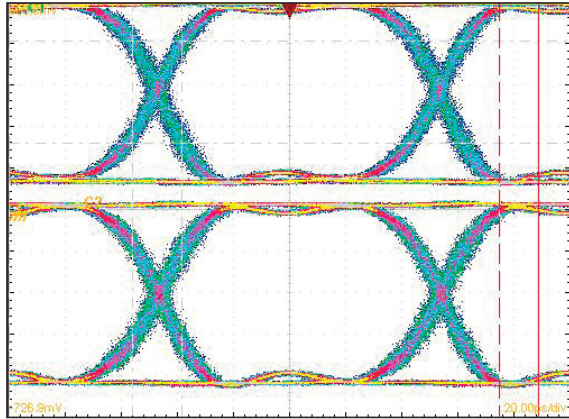
[2] Frequency = 13 GHz

[3] Frequency = 10 GHz



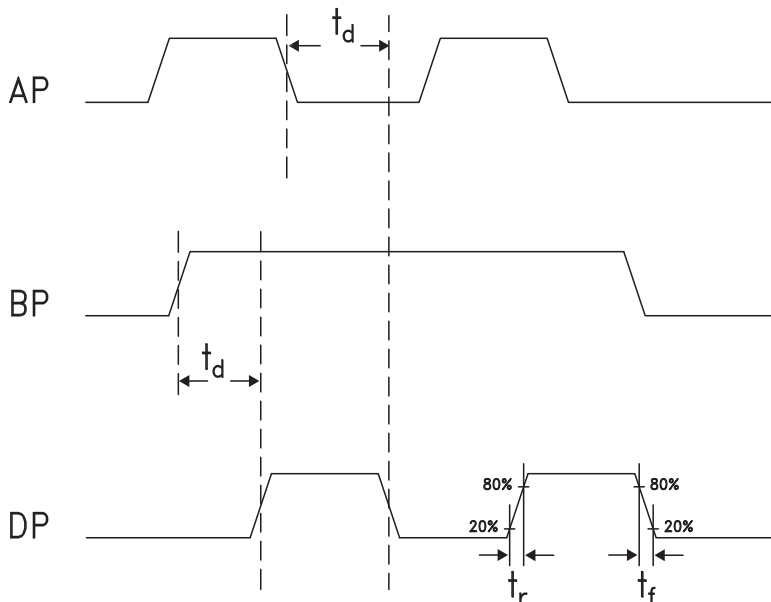
## 13 Gbps, FAST RISE TIME AND/NAND/OR/NOR GATE, w/ PROGRAMMABLE OUTPUT VOLTAGE

### Eye Diagram



[1] Test Conditions:  
 Pattern generated with an Agilent N4903A Serial BERT.  
 Eye Diagram presented on a Tektronix CSA 8000.  
 Device input = 10 Gbps PN code,  $V_{in} = 300\text{mVp-p}$  differential.

### Timing Diagram



### Truth Table

| Input |   | Outputs |
|-------|---|---------|
| A     | B | D       |
| L     | L | L       |
| L     | H | L       |
| H     | L | L       |
| H     | H | H       |

Notes:  
 A = AP - AN  
 B = BP - BN  
 D = DP - DN

H - Positive voltage level  
 L - Negative voltage level



## 13 Gbps, FAST RISE TIME AND/NAND/OR/NOR GATE, w/ PROGRAMMABLE OUTPUT VOLTAGE

### Absolute Maximum Ratings

|                            |                 |
|----------------------------|-----------------|
| Power Supply Voltage (Vee) | -3.75V to +0.5V |
| Input Signals              | -2V to +0.5V    |
| Output Signals             | -1.5V to +1V    |
| Storage Temperature        | -65°C to +150°C |
| Operating Temperature      | -40°C to +85°C  |

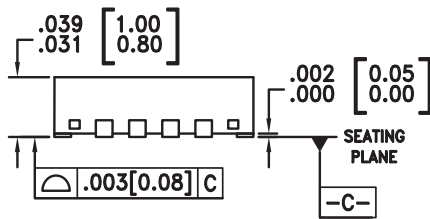
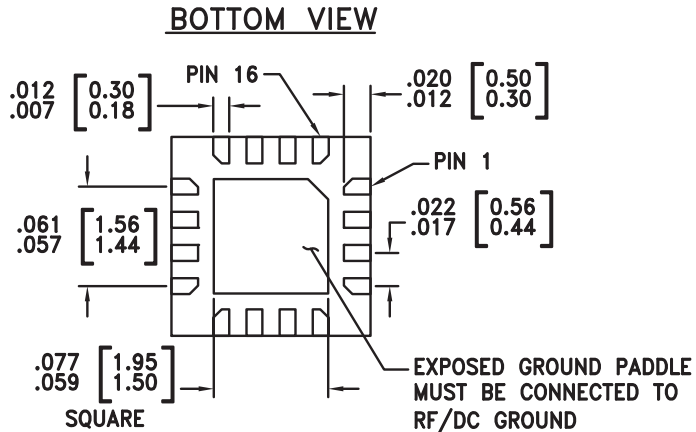
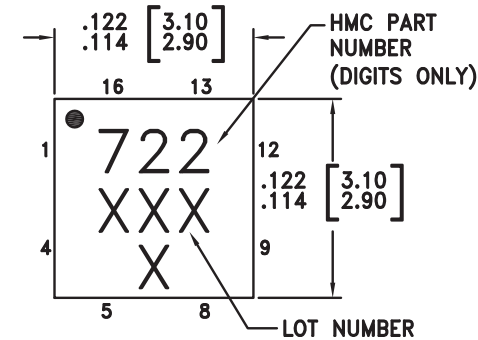


ELECTROSTATIC SENSITIVE DEVICE  
OBSERVE HANDLING PRECAUTIONS

3

HIGH SPEED LOGIC - SMT

### Outline Drawing



#### NOTES:

1. LEADFRAME MATERIAL: COPPER ALLOY
2. DIMENSIONS ARE IN INCHES [MILLIMETERS]
3. LEAD SPACING TOLERANCE IS NON-CUMULATIVE
4. PAD BURR LENGTH SHALL BE 0.15mm MAXIMUM.  
PAD BURR HEIGHT SHALL BE 0.05mm MAXIMUM.
5. PACKAGE WARP SHALL NOT EXCEED 0.05mm.
6. ALL GROUND LEADS AND GROUND PADDLE MUST BE SOLDERED TO PCB RF GROUND.
7. REFER TO HITTITE APPLICATION NOTE FOR SUGGESTED LAND PATTERN.

### Package Information

| Part Number | Package Body Material                              | Lead Finish   | MSL Rating          | Package Marking <sup>[3]</sup> |
|-------------|----------------------------------------------------|---------------|---------------------|--------------------------------|
| HMC722LP3E  | RoHS-compliant Low Stress Injection Molded Plastic | 100% matte Sn | MSL1 <sup>[2]</sup> | 722<br>XXXX                    |

[1] Max peak reflow temperature of 235 °C

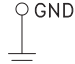
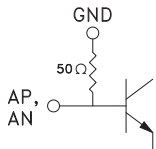
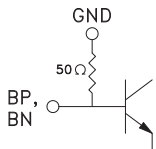
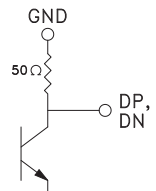
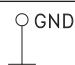
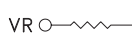
[2] Max peak reflow temperature of 260 °C

[3] 4-Digit lot number XXXX



## 13 Gbps, FAST RISE TIME AND/NAND/OR/NOR GATE, w/ PROGRAMMABLE OUTPUT VOLTAGE

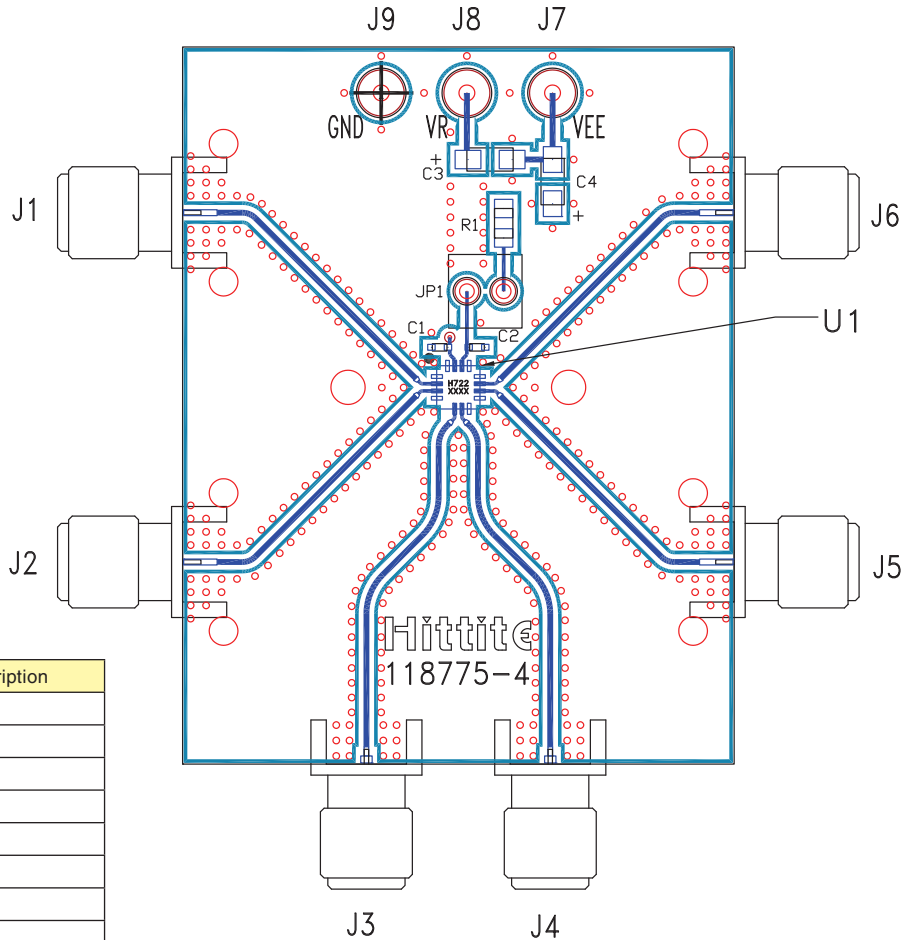
### Pin Descriptions

| Pin Number        | Function | Description                                                                                                                  | Interface Schematic                                                                   |
|-------------------|----------|------------------------------------------------------------------------------------------------------------------------------|---------------------------------------------------------------------------------------|
| 1, 4, 5, 8, 9, 12 | GND      | Signal Grounds                                                                                                               |    |
| 2, 3              | AN, AP   | Clock / Data Input A                                                                                                         |    |
| 6, 7              | BN, BP   | Clock / Data Input B                                                                                                         |    |
| 10, 11            | DP, DN   | Clock / Data Output                                                                                                          |   |
| 13, 16            | GND      | Supply Ground                                                                                                                |  |
| 14                | VR       | Output level control. Output level may be adjusted by either applying a voltage to VR per "Output Differential vs. VR" plot. |  |
| 15, Package Base  | Vee      | Negative Supply                                                                                                              |                                                                                       |



## 13 Gbps, FAST RISE TIME AND/NAND/OR/NOR GATE, w/ PROGRAMMABLE OUTPUT VOLTAGE

### Evaluation PCB



| Item | Description |
|------|-------------|
| J1   | AN          |
| J2   | AP          |
| J3   | BN          |
| J4   | BP          |
| J5   | DP          |
| J6   | DN          |
| J7   | Vee         |
| J8   | VR          |
| J9   | GND         |

### List of Materials for Evaluation PCB 118777 [1]

| Item    | Description                                        |
|---------|----------------------------------------------------|
| J1 - J6 | PCB Mount SMA RF Connectors                        |
| J7 - J9 | DC Pin                                             |
| C1, C2  | 100 pF Capacitor, 0402 Pkg.                        |
| C3, C4  | 4.7 μF Capacitor, Tantalum                         |
| R1      | 10 Ohm Resistor, 0603 Pkg.                         |
| U1      | HMC722LP3E High Speed Logic, AND / NAND / OR / NOR |
| PCB [2] | 118775 Evaluation Board                            |

[1] Reference this number when ordering complete evaluation PCB

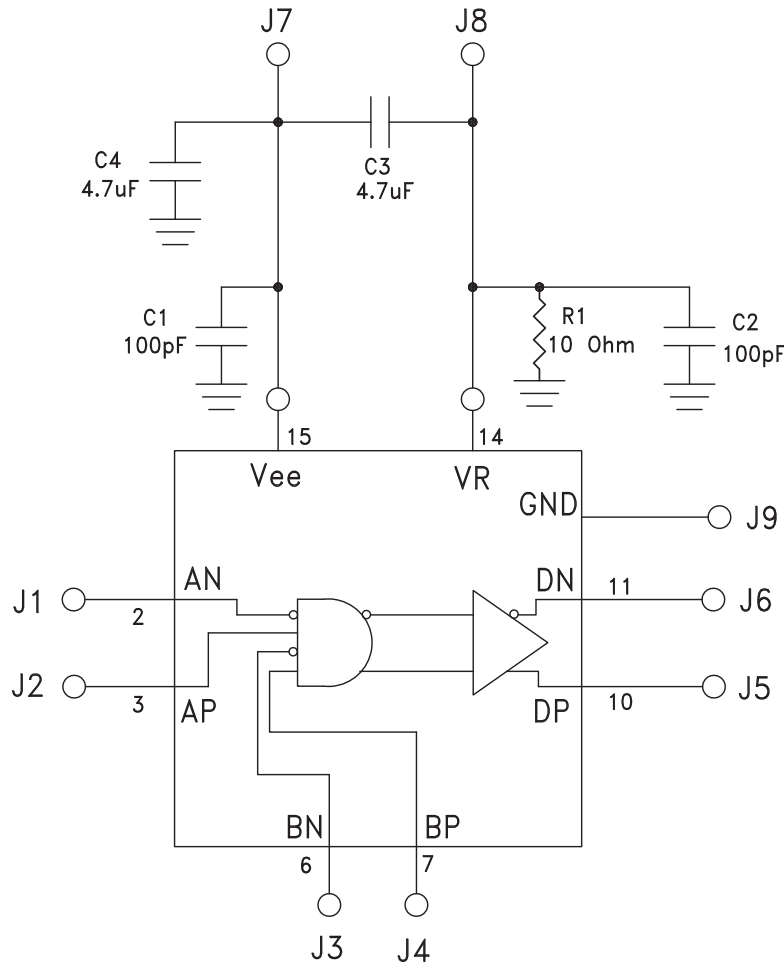
[2] Circuit Board Material: Rogers 4350 or Arlon 25FR

The circuit board used in the application should use RF circuit design techniques. Signal lines should have 50 Ohm impedance while the package ground leads should be connected directly to the ground plane similar to that shown. The exposed package base should be connected to Vee. A sufficient number of via holes should be used to connect the top and bottom ground planes. The evaluation circuit board shown is available from Hittite upon request.



## 13 Gbps, FAST RISE TIME AND/NAND/OR/NOR GATE, w/ PROGRAMMABLE OUTPUT VOLTAGE

### Application Circuit







## Стандарт Электрон Связь

Мы молодая и активно развивающаяся компания в области поставок электронных компонентов. Мы поставляем электронные компоненты отечественного и импортного производства напрямую от производителей и с крупнейших складов мира.

Благодаря сотрудничеству с мировыми поставщиками мы осуществляем комплексные и плановые поставки широчайшего спектра электронных компонентов.

Собственная эффективная логистика и склад в обеспечивает надежную поставку продукции в точно указанные сроки по всей России.

Мы осуществляем техническую поддержку нашим клиентам и предпродажную проверку качества продукции. На все поставляемые продукты мы предоставляем гарантию .

Осуществляем поставки продукции под контролем ВП МО РФ на предприятия военно-промышленного комплекса России , а также работаем в рамках 275 ФЗ с открытием отдельных счетов в уполномоченном банке. Система менеджмента качества компании соответствует требованиям ГОСТ ISO 9001.

Минимальные сроки поставки, гибкие цены, неограниченный ассортимент и индивидуальный подход к клиентам являются основой для выстраивания долгосрочного и эффективного сотрудничества с предприятиями радиоэлектронной промышленности, предприятиями ВПК и научно-исследовательскими институтами России.

С нами вы становитесь еще успешнее!

### Наши контакты:

**Телефон:** +7 812 627 14 35

**Электронная почта:** [sales@st-electron.ru](mailto:sales@st-electron.ru)

**Адрес:** 198099, Санкт-Петербург,  
Промышленная ул, дом № 19, литера Н,  
помещение 100-Н Офис 331