

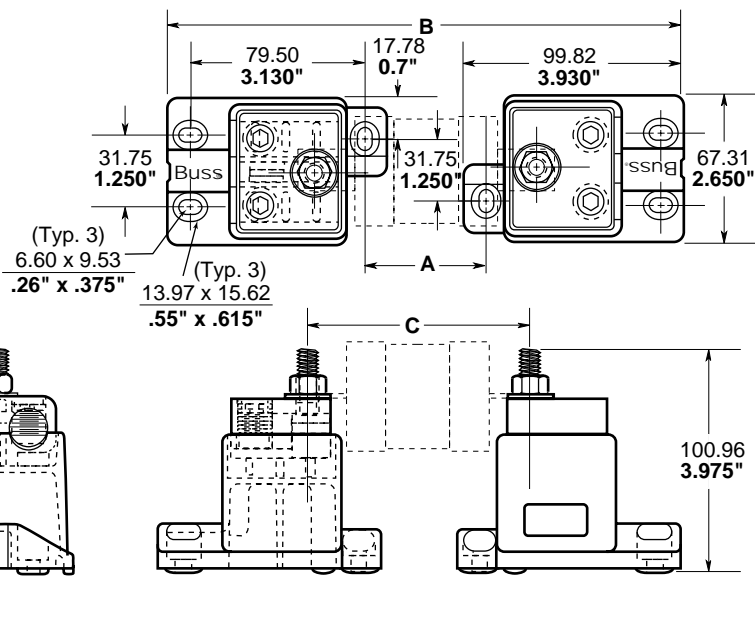
Modular Fuseblocks

0-2500 Volts, 400 Amps

BH-1 Series



Dimensional Data $\frac{\text{mm} (\pm .25)}{\text{Inches} (\pm .01)}$



Catalog Symbol: BH-1 Series
 Base: Light-weight, high temperature thermoplastic
 Mounting Studs: Plated steel
 Connector: Tin-plated aluminum.
 Standard connector accepts #6 - 250 MCM copper wire
 Nut: Plated steel
 Washer: Spring steel
 Agency Information:
 UL Recognized, Guide EZLT2, File E14853 up to 700 Volts
 CSA Certified, Class 6225-01, File 47235 up to 700 Volts
 Withstand Rating: 200,000A RMS Sym. or interrupting rating of fuse used, whichever is smaller.

Catalog Code Description:

Block Series

BH - 1XXX

Agency Information

- 0 No Agency Information
- 1 UL Recognition and CSA Certification
- 2 UL Recognition Only
- 3 CSA Certification Only

Wire Connector

- 0 No Connector
- 3 2 Hole for #6 - 250 MCM Copper Wire (for use with Base 1, 2, & 3)

Stud Size

- 1 1/4 - 20
- 2 5/16 - 18
- 3 3/8 - 16

- NOTES:**
- Always check applicable end use standards for required spacing between blocks, fuses or other hardware.
 - For applications above 700V, consult appropriate electrical standard for proper creepage distances, clearance distances and insulator voltage withstand ratings.

CE CE logo denotes compliance with European Union Low Voltage Directive (50-1000 VAC, 75-1500 VDC). Refer to Data Sheet: 8002 or contact Bussmann Application Engineering at 314-527-1270 for more information.

Modular Fuseblocks

0-2500 Volts, 400 Amps

BH-1 Series

Electrical Characteristics

Buss Cat. No.	Fuseblock Part No.	Stud Ref.	Fuse Volt Rating	Dimensions mm / Inches		
				"A"	"B"	"C"
FBP 125-200	BH-1133	3/8	700V	37.59 / 1.480	216.92 / 8.540	82.55 / 3.250
FWA 125-400	BH-1131	1/4	150V	10.59 / 0.417	189.92 / 7.477	55.55 / 2.187
FWH 125A-200A	BH-1132	5/16	500V	29.72 / 1.170	162.89 / 8.23	74.68 / 2.940
FWH 225A-400A	BH-1133	3/8	500V	42.42 / 1.670	221.74 / 8.730	87.38 / 3.440
FWP 125A-200A	BH-1133	3/8	700V	61.47 / 2.420	238.76 / 9.40	106.43 / 4.190
FWP 250A-400A	BH-1133	3/8	700V	63.75 / 2.510	243.08 / 9.570	87.38 / 4.280
FWX 125A-200A	BH-1132	5/16	250V	17.02 / 0.670	196.34 / 7.73	61.98 / 2.440
FWX 225-300	BH-1132	5/16	250V	17.02 / 0.670	196.34 / 7.73	61.98 / 2.440
JJN 225-400	BH-1133	3/8	300V	1.88 / 0.074	181.20 / 7.134	46.84 / 1.844
JJS 110-200	BH-1132	5/16	600V	1.872/ 0.737	197.61 / 7.78	63.68 / 2.507
JJS 225-400	BH-1133	3/8	600V	24.08 / 0.948	203.40 / 8.008	69.04 / 2.718
KAB 125-200	BH-1132	5/16	250V	15.31 / 0.605	194.6 / 7.665	60.33 / 2.375
KAB 225-400	BH-1133	3/8	250V	25.68 / 1.011	205.00 / 8.071	70.64 / 2.781
KAC 110-200	BH-1133	3/8	600V	66.17 / 2.605	245.36 / 9.66	111.13 / 4.375
KAX 110-200	BH-1132	5/16	250V	15.37 / 0.605	194.69 / 7.665	60.32 / 2.375
KAX 225-400	BH-1133	3/8	250V	25.68 / 1.011	205.00 / 8.071	70.64 / 2.781
KBC 110-200	BH-1131	1/4	600V	47.90 / 1.886	227.10 / 8.941	92.86 / 3.656
KBC 225-400	BH-1133	3/8	600V	58.22 / 2.292	23.754/ 9.352	103.17 / 4.062
KBH 125-200	BH-1131	1/4	500V	28.07 / 1.105	207.34 / 8.163	73.03 / 2.875
KBH 225-400	BH-1133	3/8	500V	38.38 / 1.511	217.70 / 8.571	83.34 / 3.281
KBP 125-200	BH-1133	3/8	700V	57.43 / 2.261	236.75 / 9.321	102.39 / 4.031
KBP 225-400	BH-1133	3/8	700V	57.43 / 2.261	236.75 / 9.321	102.39 / 4.031
SPJ-4B 50-250	BH-1133	3/8	1000V	77.27 / 3.042	256.59 / 10.102	122.22 / 4.812
SPJ-4E 50-250	BH-1133	3/8	1000V	77.27 / 3.042	256.59 / 10.102	122.22 / 4.812
SPP-4B 50-400	BH-1133	3/8	700V	40.77 / 1.605	220.09 / 8.665	85.73 / 3.375
SPP-4E 50-400	BH-1133	3/8	700V	40.77 / 1.605	220.09 / 8.665	85.73 / 3.375
SPP-4F 50-400	BH-1133	3/8	700V	78.87 / 3.105	258.19 / 10.165	123.83 / 4.875
SPP-4H 50-400	BH-1133	3/8	700V	78.87 / 3.105	258.19 / 10.165	123.83 / 4.875
170E5448 thru 170E5451	BH-1133	3/8	2500V	163.07 / 6.420	342.40 / 13.480	208.03 / 8.190
170E7863 thru 170E7864	BH-1133	3/8	2500V	163.07 / 6.420	342.40 / 13.480	208.03 / 8.190
170E8272 thru 170E8273	BH-1133	3/8	2500V	163.07 / 6.420	342.40 / 13.480	208.03 / 8.190
170L3661 thru 170L3680	BH-1133	3/8	1000V	63.04 / 2.482	242.31 / 9.542	108.00 / 4.252
170L3668 thru 170L3670	BH-1133	3/8	1000V	63.04 / 2.482	242.37 / 9.542	108.00 / 4.252
170L3671 thru 170L3673	BH-1133	3/8	1000V	63.04 / 2.482	242.37 / 9.542	108.00 / 4.252
170L3675 thru 170L3677	BH-1133	3/8	1000V	63.04 / 2.482	242.37 / 9.542	108.00 / 4.252
170L3678 thru 170L3680	BH-1133	3/8	1000V	63.04 / 2.482	242.37 / 9.542	108.00 / 4.252
170L3688 thru 170L3690	BH-1132	5/16	1000V	65.02 / 2.560	244.35 / 9.620	109.98 / 4.330
170L3691 thru 170L3693	BH-1133	3/8	1000V	65.02 / 2.560	244.35 / 9.620	109.98 / 4.330
170L3694 thru 170L3696	BH-1132	5/16	1000V	65.02 / 2.560	244.35 / 9.620	109.98 / 4.330
170L3697 thru 170L3699	BH-1132	5/16	1000V	65.02 / 2.560	244.35 / 9.620	109.98 / 4.330
170L3775 and 170L3776	BH-1133	3/8	1000V	63.04 / 2.482	242.3 / 9.542	108.00 / 4.252
170L3779 and 170L3780	BH-1133	3/8	1000V	63.04 / 2.482	242.3 / 9.542	108.00 / 4.252
170L3783 and 170L3784	BH-1133	3/8	1000V	63.04 / 2.482	242.3 / 9.542	108.00 / 4.252
170L3787 and 170L3788	BH-1133	3/8	1000V	63.04 / 2.482	242.3 / 9.542	108.00 / 4.252
170L3791 and 170L3792	BH-1133	3/8	1000V	63.04 / 2.482	242.3 / 9.542	108.00 / 4.252
170L3795 and 170L3796	BH-1133	3/8	1000V	63.04 / 2.482	242.3 / 9.542	108.00 / 4.252
170L3800 and 170L3801	BH-1133	3/8	1000V	63.04 / 2.482	242.3 / 9.542	108.00 / 4.252
170L3804 and 170L3805	BH-1133	3/8	1000V	63.04 / 2.482	242.3 / 9.542	108.00 / 4.252
170L3808 and 170L3809	BH-1133	3/8	1000V	63.04 / 2.482	242.3 / 9.542	108.00 / 4.252
170L5777 and 170L5778	BH-1133	3/8	1000V	63.04 / 2.482	242.3 / 9.542	108.00 / 4.252
170L5779 thru 170L5783	BH-1133	3/8	1000V	63.04 / 2.482	242.3 / 9.542	108.00 / 4.252
170L5787 and 170L5788	BH-1133	3/8	1000V	63.04 / 2.482	242.3 / 9.542	108.00 / 4.252
170L5789 thru 170L5793	BH-1133	3/8	1000V	63.04 / 2.482	242.3 / 9.542	108.00 / 4.252

Modular Fuseblocks

0-2500 Volts, 400 Amps

BH-1 Series

Electrical Characteristics (continued)

Buss Cat. No.	Fuseblock Part No.	Stud Ref.	Fuse Volt Rating	Dimensions mm / Inches		
				"A"	"B"	"C"
170M1308 thru 170M1317	BH-1131	¼	660V	33.04 / 1.300	212.34 / 8.360	78.00 / 3.070
170M1318 thru 170M1322	BH-1131	¼	660V	33.04 / 1.300	212.34 / 8.360	78.00 / 3.070
170M1358 thru 170M1367	BH-1131	¼	660V	33.04 / 1.300	212.34 / 8.360	78.00 / 3.070
170M1368 thru 170M1372	BH-1131	¼	660V	33.04 / 1.300	212.34 / 8.360	78.00 / 3.070
170M1408 thru 170M1417	BH-1131	¼	660V	33.04 / 1.300	212.34 / 8.360	78.00 / 3.070
170M1418 thru 170M1422	BH-1131	¼	660V	33.04 / 1.300	212.34 / 8.360	78.00 / 3.070
170M1458 thru 170M1467	BH-1132	5/16	660V	25.04 / 0.986	204.37 / 8.046	70.00 / 2.756
170M1468 thru 170M1472	BH-1132	5/16	660V	25.04 / 0.986	204.37 / 8.046	70.00 / 2.756
170M1508 thru 170M1517	BH-1132	5/16	660V	25.04 / 0.986	204.37 / 8.046	70.00 / 2.756
170M1518 thru 170M1522	BH-1132	5/16	660V	25.04 / 0.986	204.37 / 8.046	70.00 / 2.756
170M2608 thru 170M2614	BH-1133	3/8	660V	33.04 / 1.300	212.34 / 8.360	78.00 / 3.070
170M2615 thru 170M2621	BH-1131	¼	660V	33.04 / 1.300	212.34 / 8.360	78.00 / 3.070
170M2658 thru 170M2664	BH-1133	3/8	660V	33.04 / 1.300	212.34 / 8.360	78.00 / 3.070
170M2665 thru 170M2671	BH-1133	3/8	660V	33.04 / 1.300	212.34 / 8.360	78.00 / 3.070
170M3008 thru 170M3012	BH-1133	3/8	660V	33.04 / 1.300	212.34 / 8.360	78.00 / 3.070
170M3013 thru 170M3019	BH-1133	3/8	660V	33.04 / 1.300	212.34 / 8.360	78.00 / 3.070
170M3058 thru 170M3062	BH-1133	3/8	660V	33.04 / 1.300	212.34 / 8.360	78.00 / 3.070
170M3063 thru 170M3069	BH-1133	3/8	660V	33.04 / 1.300	212.34 / 8.360	78.00 / 3.070
170M3108 thru 170M3112	BH-1133	3/8	660V	33.04 / 1.300	212.34 / 8.360	78.00 / 3.070
170M3113 thru 170M3119	BH-1133	3/8	660V	33.04 / 1.300	212.34 / 8.360	78.00 / 3.070
170M3138 thru 170M3141	BH-1133	3/8	1250V	63.04 / 2.560	244.35 / 9.620	109.98 / 4.330
170M3142 thru 170M3148	BH-1133	3/8	1250V	63.04 / 2.560	244.35 / 9.620	109.98 / 4.330
170M3158 thru 170M3162	BH-1133	3/8	660V	63.04 / 2.482	242.37 / 9.542	108.00 / 4.252
170M3163 thru 170M3169	BH-1133	3/8	660V	63.04 / 2.482	242.37 / 9.542	108.00 / 4.252
170M3188 thru 170M3191	BH-1133	3/8	1250V	63.04 / 2.482	242.37 / 9.542	108.00 / 4.252
170M3192 thru 170M3198	BH-1133	3/8	1250V	63.04 / 2.482	242.37 / 9.542	108.00 / 4.252
170M3208 thru 170M3212	BH-1133	3/8	660V	63.04 / 2.482	242.37 / 9.542	108.00 / 4.252
170M3213 thru 170M3219	BH-1133	3/8	660V	63.04 / 2.482	242.37 / 9.542	108.00 / 4.252
170M3238 thru 170M3241	BH-1133	3/8	1250V	63.04 / 2.482	242.37 / 9.542	108.00 / 4.252
170M3242 thru 170M3248	BH-1133	3/8	1250V	63.04 / 2.482	242.37 / 9.542	108.00 / 4.252
170M3258 thru 170M3262	BH-1133	3/8	660V	63.04 / 2.482	242.37 / 9.542	108.00 / 4.252
170M3263 thru 170M3269	BH-1133	3/8	660V	63.04 / 2.482	242.37 / 9.542	108.00 / 4.252
170M3308 thru 170M3312	BH-1132	5/16	660V	31.04 / 1.222	210.36 / 8.282	76.00 / 2.992
170M3313 thru 170M3319	BH-1132	5/16	660V	31.04 / 1.222	210.36 / 8.282	76.00 / 2.992
170M3358 thru 170M3362	BH-1132	5/16	660V	31.04 / 1.222	210.36 / 8.282	76.00 / 2.992
170M3363 thru 170M3369	BH-1132	5/16	660V	31.04 / 1.222	210.36 / 8.282	76.00 / 2.992
170M3608 thru 170M3612	BH-1133	3/8	660V	40.03 / 1.576	219.35 / 8.636	84.99 / 3.346
170M3613 thru 170M3619	BH-1133	3/8	660V	40.03 / 1.576	219.35 / 8.636	84.99 / 3.346
170M3658 thru 170M3662	BH-1133	3/8	660V	40.03 / 1.576	219.35 / 8.636	84.99 / 3.346
170M3663 thru 170M3669	BH-1133	3/8	660V	40.03 / 1.576	219.35 / 8.636	84.99 / 3.346
170M3688 thru 170M3691	BH-1133	3/8	1250V	85.04 / 3.348	264.36 / 10.408	130.00 / 5.118
170M3692 thru 170M3697	BH-1133	3/8	1250V	85.04 / 3.348	264.36 / 10.408	130.00 / 5.118
170M3708 thru 170M3712	BH-1133	3/8	660V	78.03 / 3.072	257.35 / 10.132	122.99 / 4.842
170M3713 thru 170M3719	BH-1133	3/8	660V	40.03 / 1.576	219.35 / 8.636	84.99 / 3.346
170M3738 thru 170M3741	BH-1133	3/8	1250V	85.04 / 3.348	264.36 / 10.408	130.00 / 5.118
170M3742 thru 170M3747	BH-1133	3/8	1250V	85.04 / 3.348	264.36 / 10.408	130.00 / 5.118
170M3758 thru 170M3762	BH-1133	3/8	660V	78.03 / 3.072	257.35 / 10.132	122.99 / 4.842
170M3763 thru 170M3769	BH-1133	3/8	660V	40.03 / 1.576	219.35 / 8.636	84.99 / 3.346

The only controlled copy of this Data Sheet is the electronic read-only version located on the Bussmann Network Drive. All other copies of this document are by definition uncontrolled. This bulletin is intended to clearly present comprehensive product data and provide technical information that will help the end user with design applications. Bussmann reserves the right, without notice, to change design or construction of any products and to discontinue or limit distribution of any products. Bussmann also reserves the right to change or update, without notice, any technical information contained in this bulletin. Once a product has been selected, it should be tested by the user in all possible applications.



**Стандарт
Электрон
Связь**

Мы молодая и активно развивающаяся компания в области поставок электронных компонентов. Мы поставляем электронные компоненты отечественного и импортного производства напрямую от производителей и с крупнейших складов мира.

Благодаря сотрудничеству с мировыми поставщиками мы осуществляем комплексные и плановые поставки широчайшего спектра электронных компонентов.

Собственная эффективная логистика и склад в обеспечивает надежную поставку продукции в точно указанные сроки по всей России.

Мы осуществляем техническую поддержку нашим клиентам и предпродажную проверку качества продукции. На все поставляемые продукты мы предоставляем гарантию .

Осуществляем поставки продукции под контролем ВП МО РФ на предприятия военно-промышленного комплекса России , а также работаем в рамках 275 ФЗ с открытием отдельных счетов в уполномоченном банке. Система менеджмента качества компании соответствует требованиям ГОСТ ISO 9001.

Минимальные сроки поставки, гибкие цены, неограниченный ассортимент и индивидуальный подход к клиентам являются основой для выстраивания долгосрочного и эффективного сотрудничества с предприятиями радиоэлектронной промышленности, предприятиями ВПК и научно-исследовательскими институтами России.

С нами вы становитесь еще успешнее!

Наши контакты:

Телефон: +7 812 627 14 35

Электронная почта: sales@st-electron.ru

Адрес: 198099, Санкт-Петербург,
Промышленная ул, дом № 19, литера Н,
помещение 100-Н Офис 331