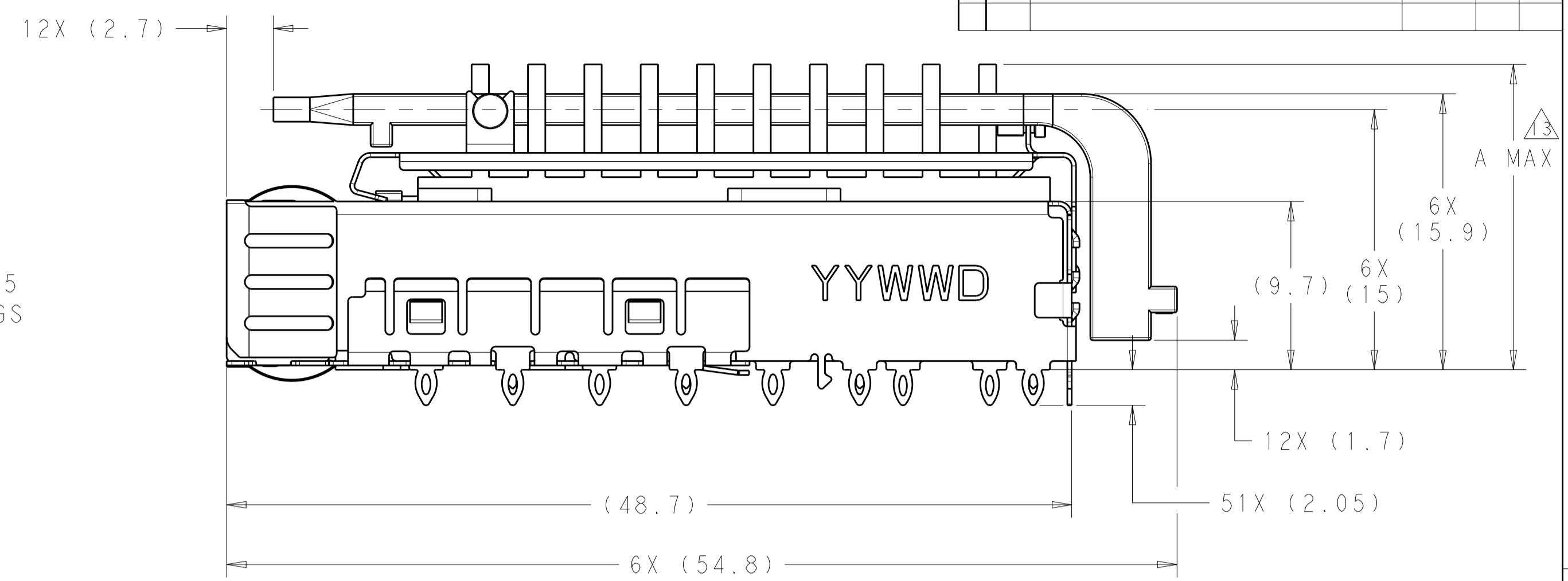
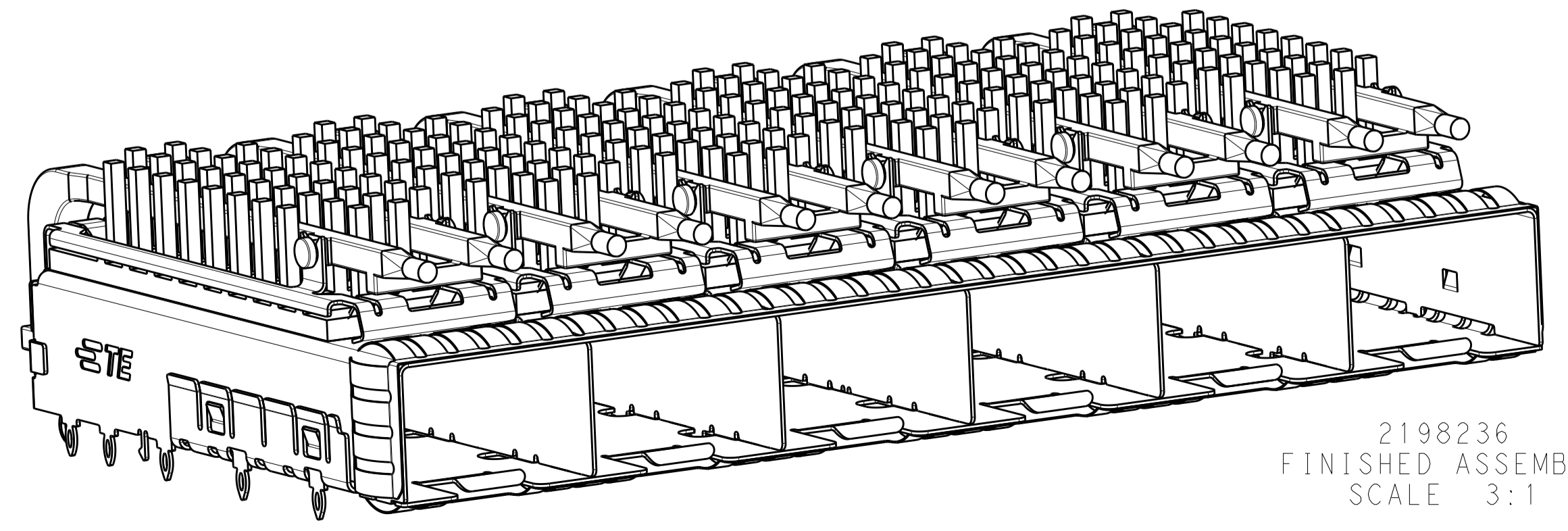
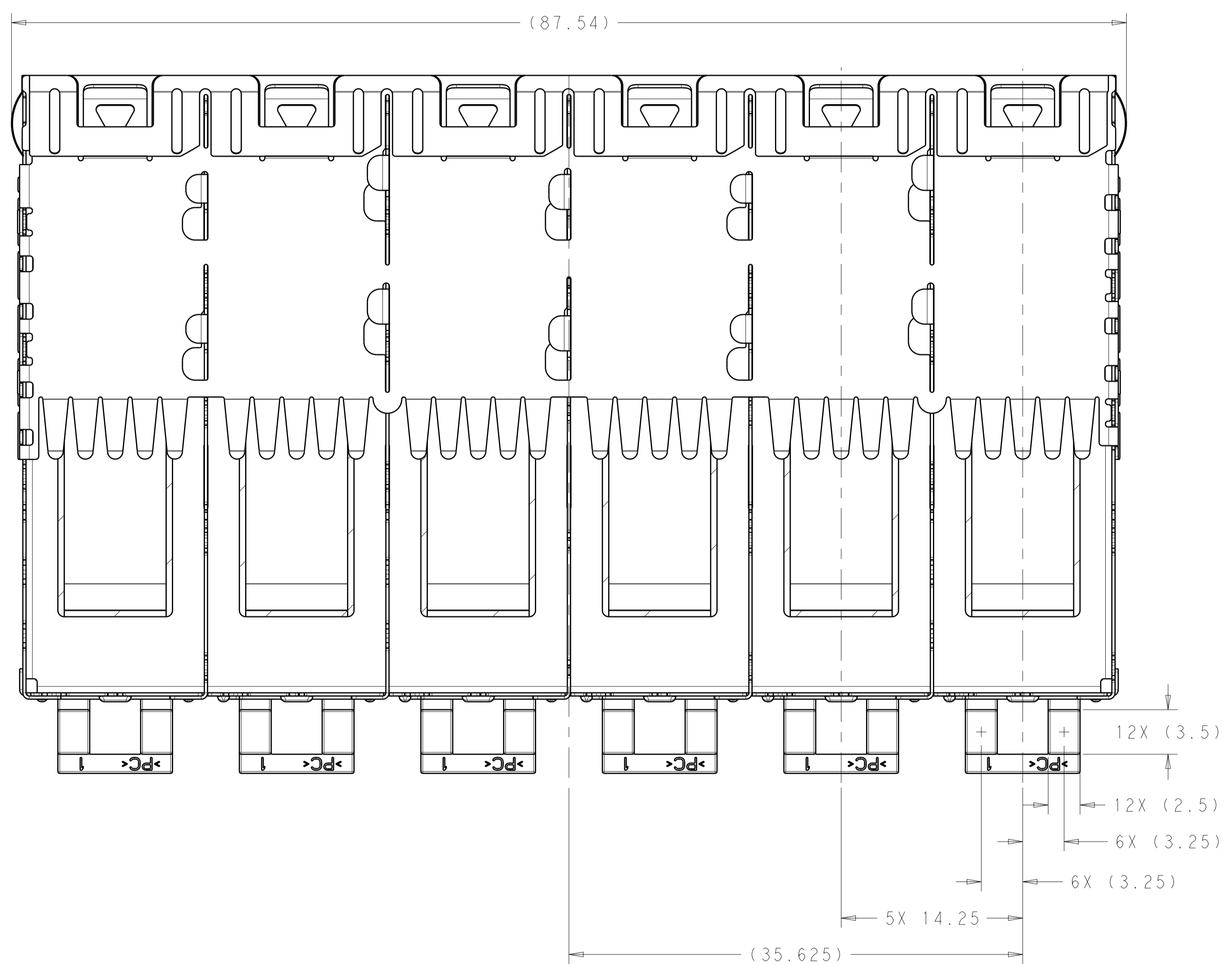
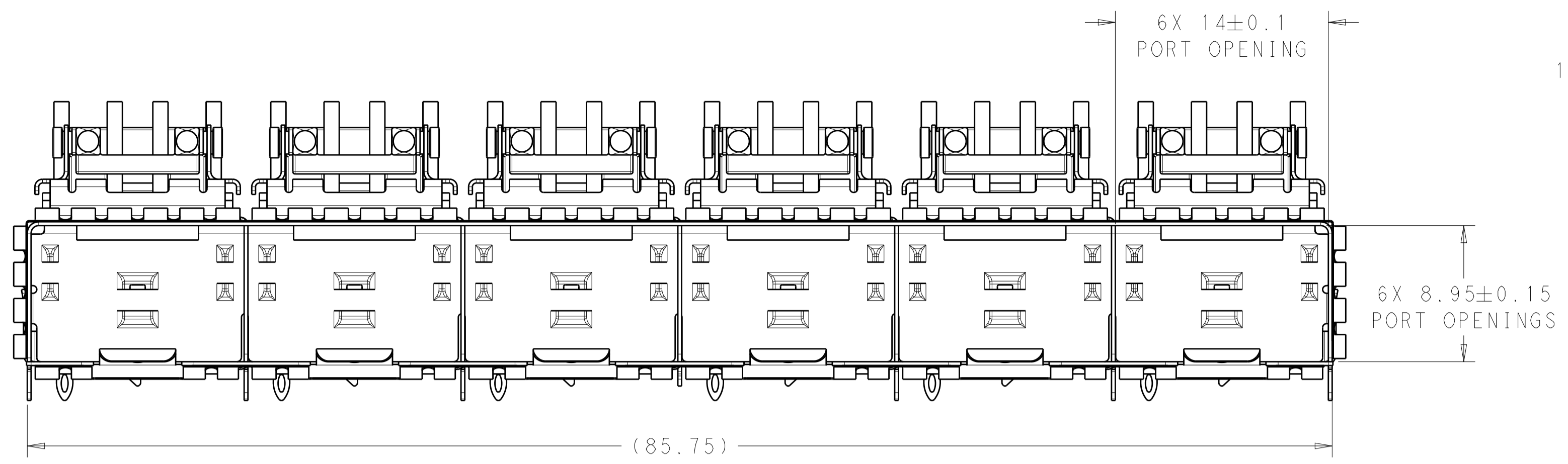


LOC	DIST	REVISIONS					
GP	00	P	LTN	DESCRIPTION	DATE	DMN	APVD
		A		RELEASED PER ECO-12-013192	18OCT2012	BMM	MRS



- 1 MATERIAL:  
CAGE ASSEMBLY: 0.25mm THICK NICKEL SILVER ALLOY.  
HEATSINK/LIGHTPIPE CLIP: STAINLESS STEEL  
LIGHT PIPE: POLYCARBONATE, CLEAR  
HEATSINK: ALUMINUM
- 2 FINISH:  
SPRINGS: MINIMUM OF 0.8um TIN PLATE OVER A MINIMUM OF 0.8um NICKEL UNDERPLATE.  
NON-PLATED EDGES PERMISSIBLE.  
HEATSINK/LIGHTPIPE CLIP: PASSIVATE  
HEATSINK: ELECTROLESS NICKEL
- 3. MATES WITH SFP MSA COMPLIANT TRANSCEIVERS.
- 4 PADS AND VIAS CHASSIS GROUND.
- 5. INTERPRETATION OF DATUM REFERENCE FRAME IN ACCORDANCE WITH SECT 4.4.1.1 OF ASME Y14.5M-1994.
- 6 MINIMUM PC BOARD THICKNESS:  
SINGLE SIDED = 1.50mm  
DOUBLE SIDED = 2.25mm
- 7 HOLE PATTERN REPEATS FOR EACH PORT. SPACING BETWEEN PORTS IS 14.25mm.
- 8 DATUM AND BASIC DIMENSION ESTABLISHED BY CUSTOMER.
- 9 REFERENCE APPLICATION SPEC. 114-13120, HOLE A, FOR RECOMMENDED DRILL HOLE DIAMETER AND PLATING THICKNESS.
- 10 REFERENCE APPLICATION SPEC. 114-13120, HOLE B, FOR RECOMMENDED DRILL HOLE DIAMETER AND PLATING THICKNESS.
- 11. CERTAIN MATING TRANSCEIVERS MAY REQUIRE ADDITIONAL PCB THICKNESS THAT WOULD BE DETERMINED BY THE CUSTOMER.
- 12. PRODUCT COMPLIES WITH SPECIFICATION SFF-8433 IMPROVED PLUGGABLE FORM FACTOR FOR SFP+ GANGED CAGES.
- 13 DIMENSION APPLIES PRIOR TO INSERTION OF SFP MODULE
- 14 HEATSINK, HEATSINK CLIP, AND LIGHTPIPE SHIPPED UNASSEMBLED TO CAGE ASSEMBLY. CAGE ASSEMBLY TO BE PRESSED INTO PCB PRIOR TO ATTACHING HEATSINK, HEATSINK CLIP, AND LIGHTPIPE TO THE CAGE ASSEMBLY.
- 15 PACKAGED AS A COMPLETE ASSEMBLY.

22.5	NETWORKING, TALL	2198236-4
18.1	NETWORKING, SHORT	2198236-3
15.5	SAN	2198236-2
13.2	PCI	2198236-1
A MAX	APPLICATION	PART NUMBER

THIS DRAWING IS A CONTROLLED DOCUMENT.

OWN: B. MATTHEWS 15NOV2011  
CHK: M. SCHMITT 15NOV2011  
APVD: M. SCHMITT 15NOV2011

DIMENSIONS: mm

TOLERANCES UNLESS OTHERWISE SPECIFIED:  
0 PLC ±0.1  
1 PLC ±0.1  
2 PLC ±0.1  
3 PLC ±0.1  
4 PLC ±0.1  
ANGLES ±0.1

MATERIAL:

FINISH:

Customer Drawing

NAME: SFP+ ENHANCED 1X6 CAGE ASSEMBLY, PRESS FIT, EXTERNAL EMI SPRINGS WITH HEATSINK AND LIGHTPIPE

PRODUCT SPEC: 108-2364

APPLICATION SPEC: 114-13120

SIZE: A1

CAGE CODE: 00779

DRAWING NO: 2198236

RESTRICTED TO: -

SCALE: 4:1

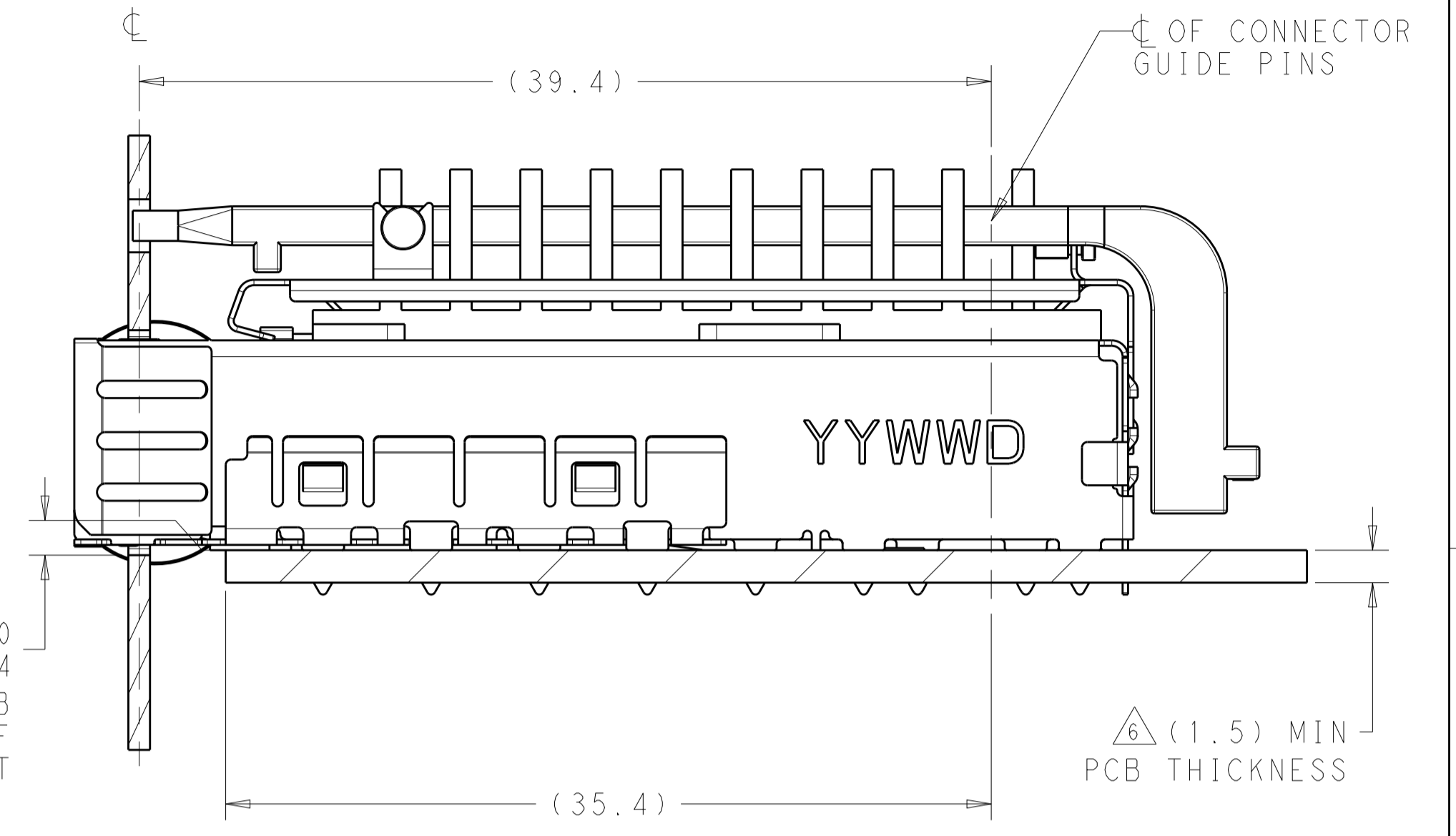
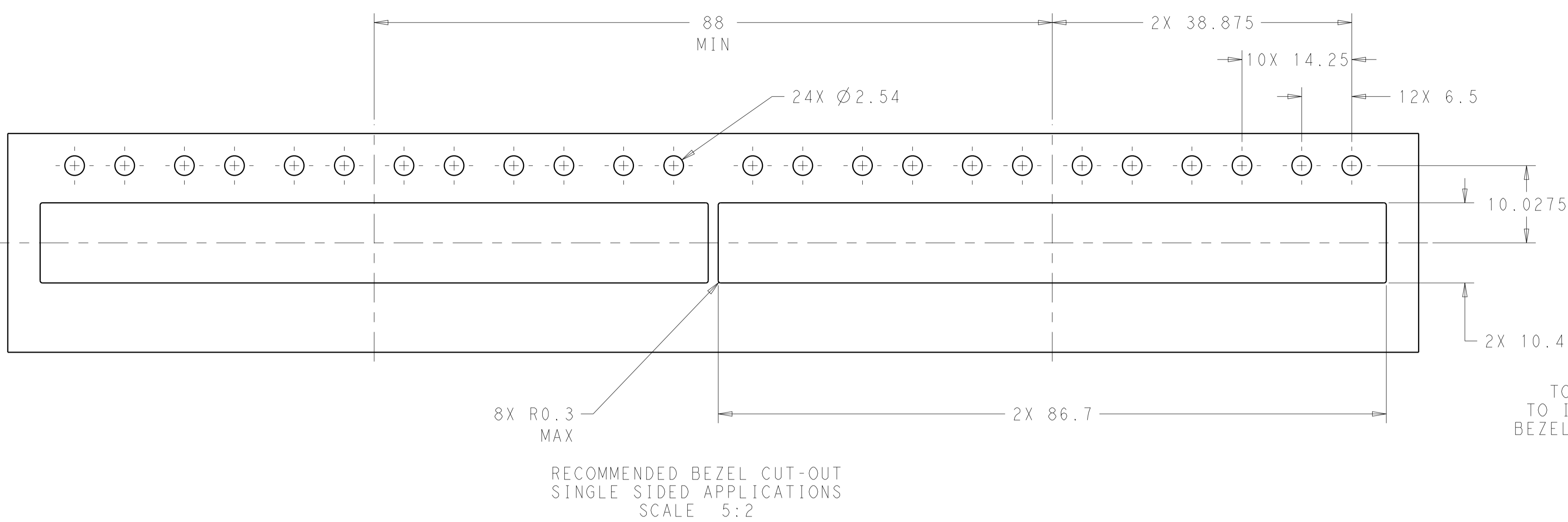
SHEET: 1 OF 4

REV: A

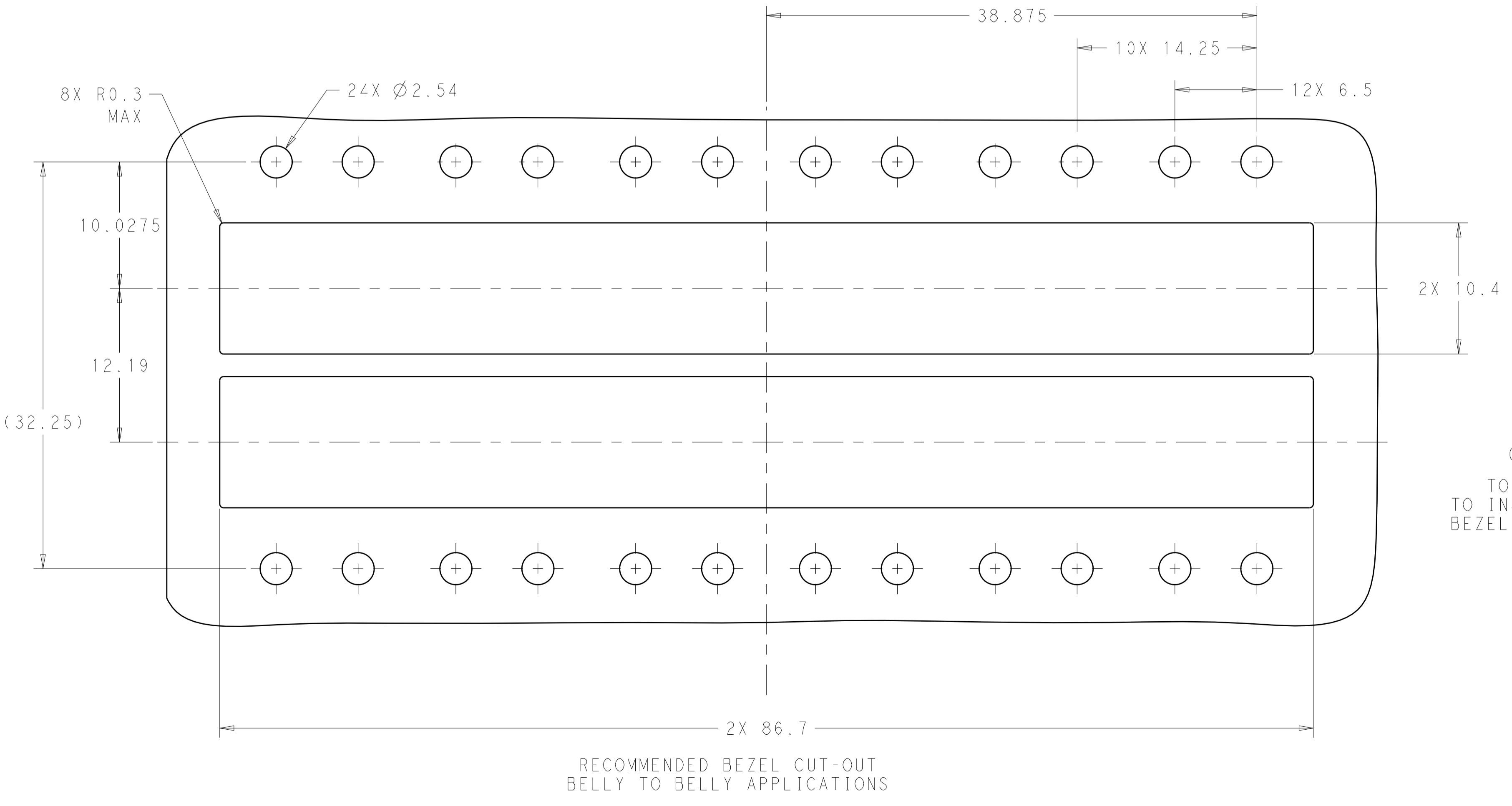
LOC	DIST	REV	DATE	BY	APPV
GP	00				

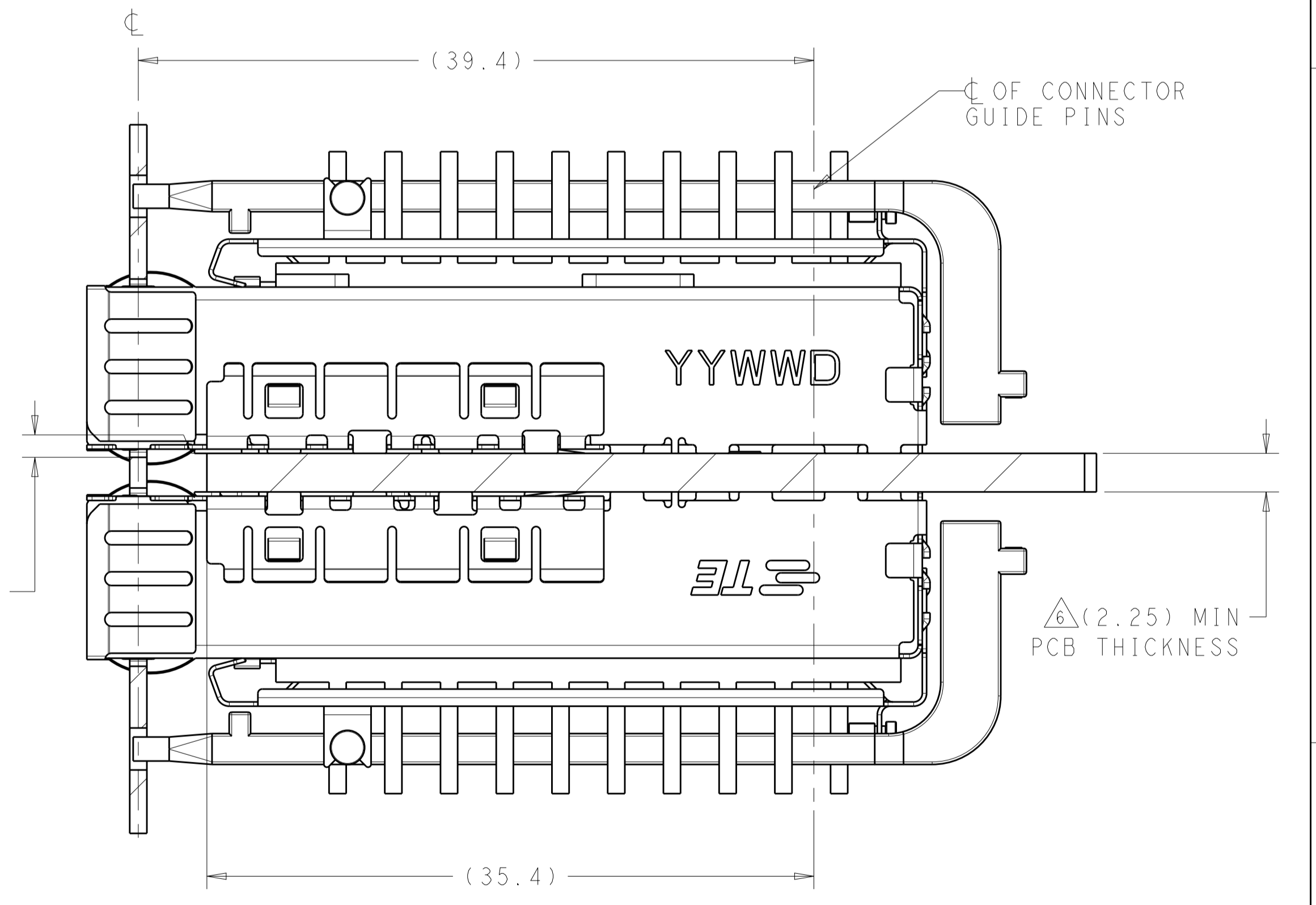
REVISIONS			DATE	BY	APPV
		SEE SHEET 1			



2198236  
MOUNTED ON PC BOARD  
SHOWN THRU RECOMMENDED BEZEL



0.23+0.10  
-0.14  
TOP OF PCB  
TO INSIDE OF  
BEZEL CUT-OUT

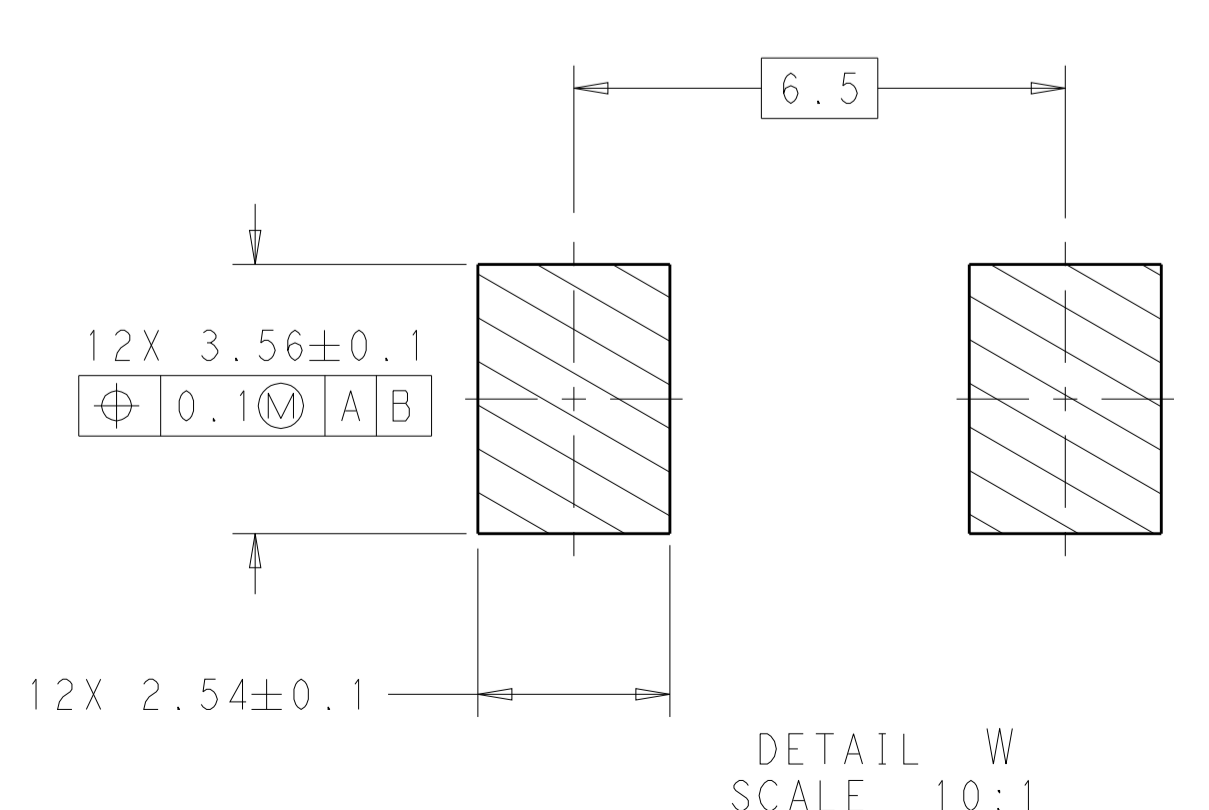
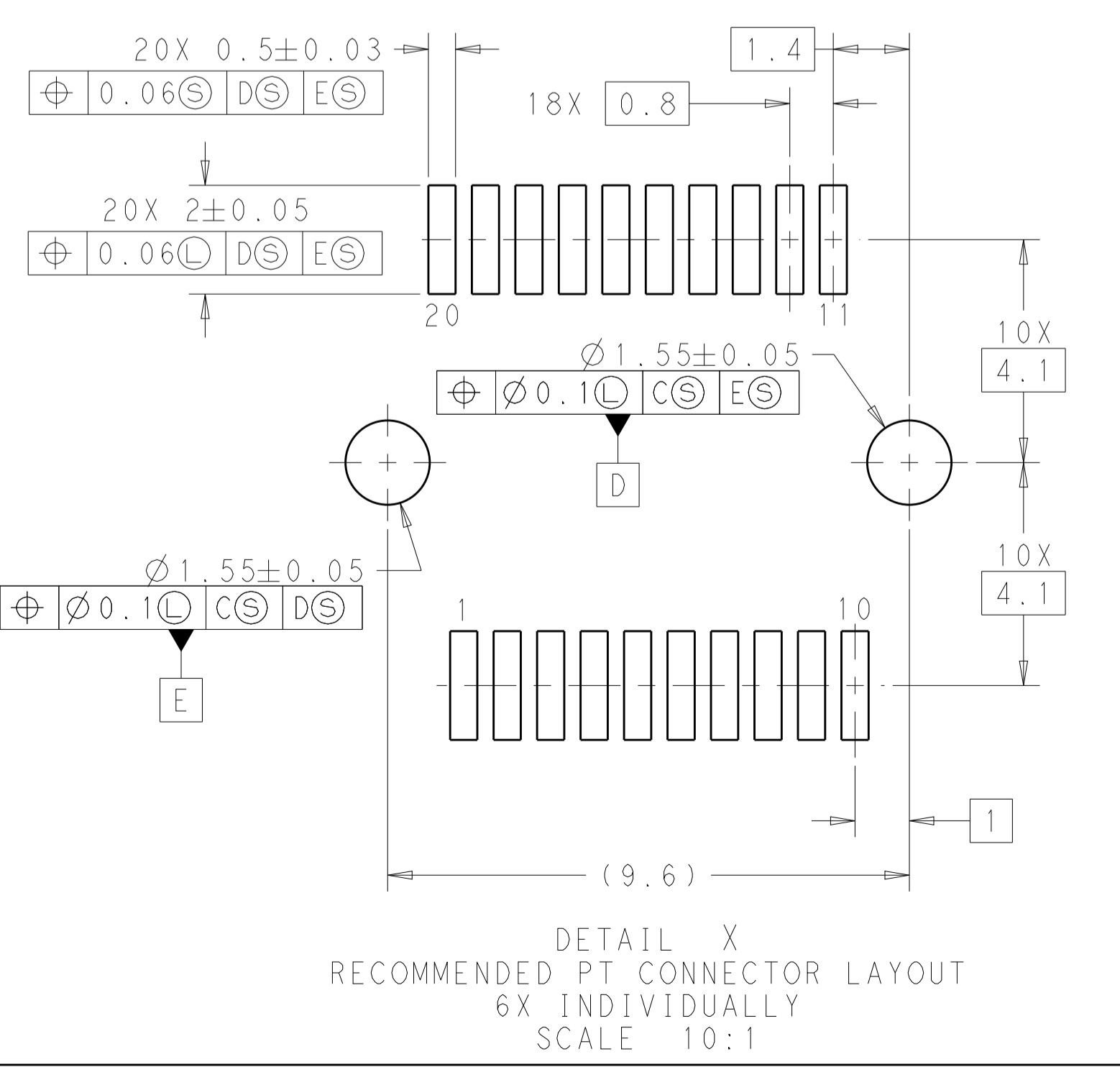
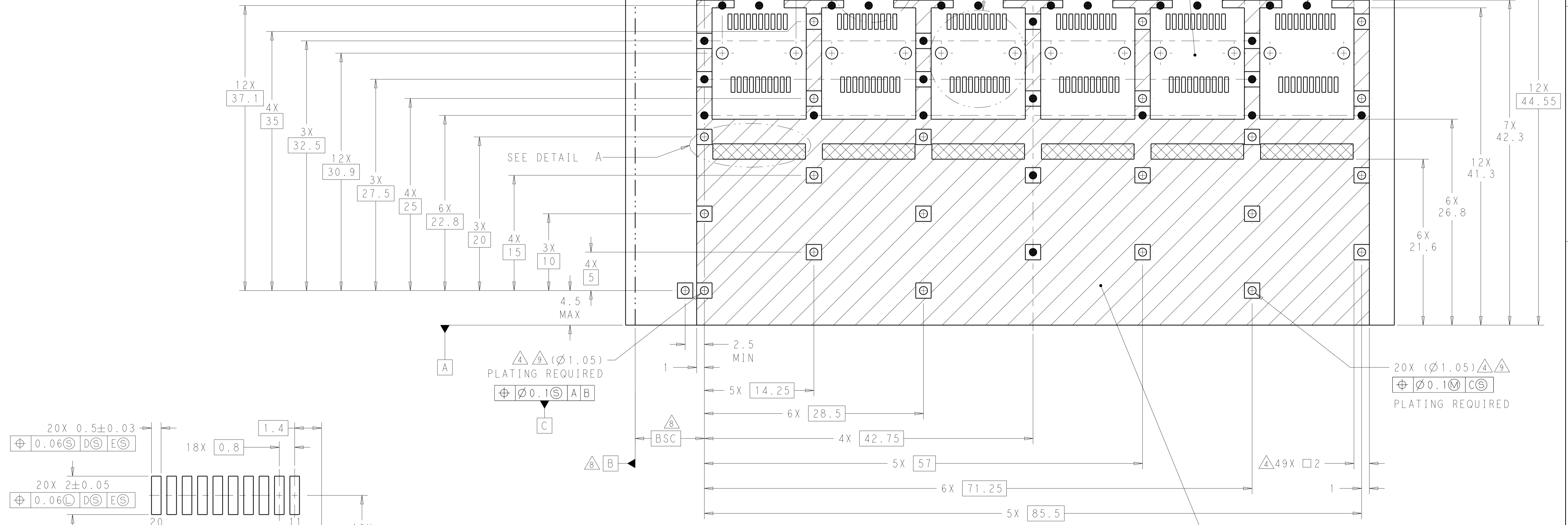
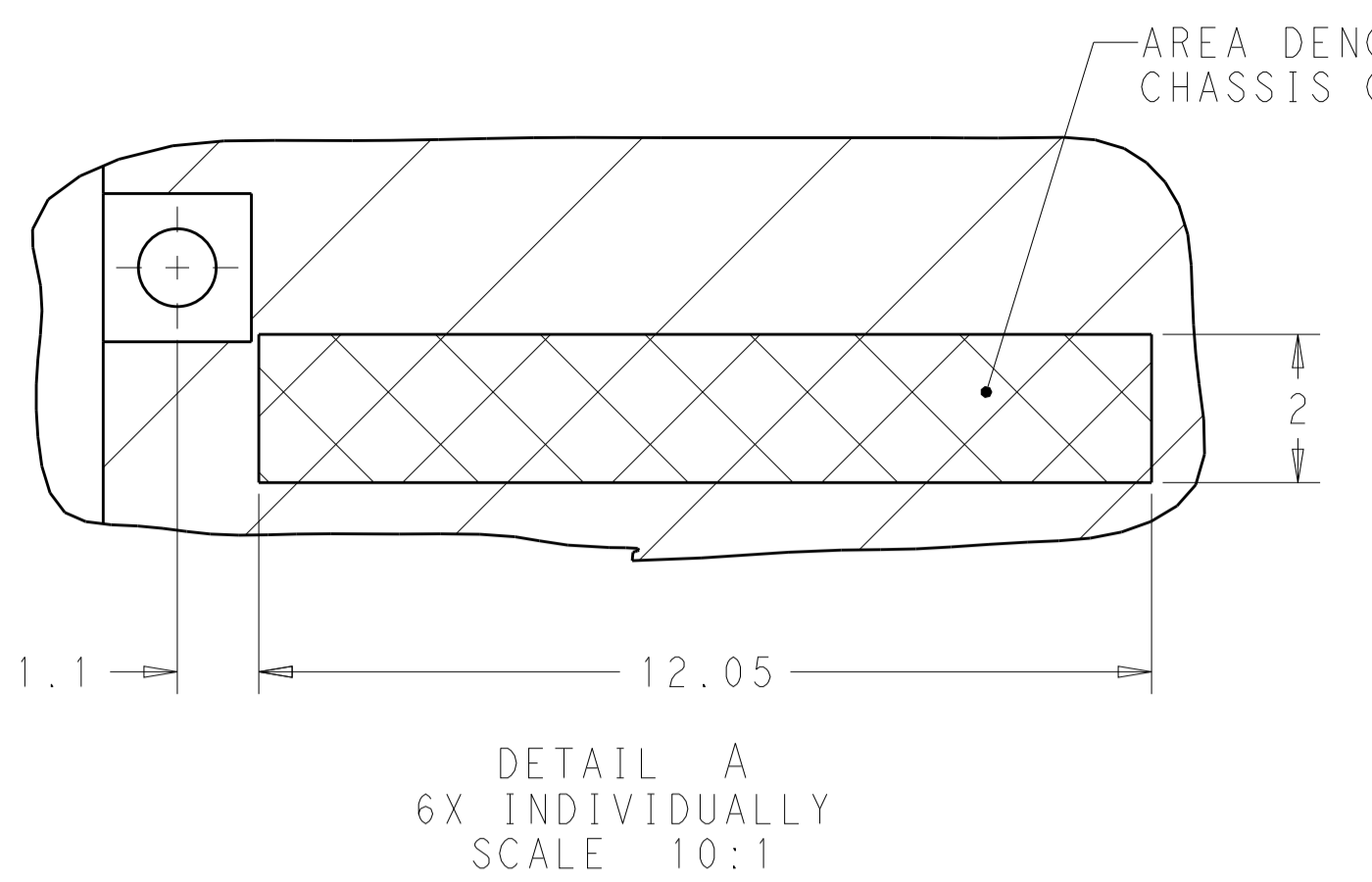


2198236  
MOUNTED BELLY TO BELLY ON PC BOARD  
SHOWN THRU RECOMMENDED BEZEL

THIS DRAWING IS A CONTROLLED DOCUMENT.		DWN B. MATTHEWS 15NOV2011	TE Connectivity
DIMENSIONS:		CHK M. SCHMITT 15NOV2011	
mm	TOLERANCES UNLESS OTHERWISE SPECIFIED:	APVD M. SCHMITT 15NOV2011	NAME SFP+ ENHANCED 1X6 CAGE ASSEMBLY, PRESS FIT, EXTERNAL EMI SPRINGS WITH HEATSINK AND LIGHTPIPE
	0 PLC ±0.1	PRODUCT SPEC	SIZE 108-2364
	1 PLC ±0.1	APPLICATION SPEC	RESTRICTED TO
	2 PLC ±0.1	114-13120	A100779C=2198236
	3 PLC ±0.1	WEIGHT	SCALE 4:1 SHEET 2 OF 4 REV A
	4 PLC ±0.1	Customer Drawing	
MATERIAL	FINISH		

LOC		DIST		REVISIONS			
GP	00	P	LTM	DESCRIPTION	DATE	DWN	APVD
-	-	-	-	SEE SHEET 1	-	-	-

THIS DRAWING IS UNPUBLISHED.  
 RELEASED FOR PUBLICATION  
 ALL RIGHTS RESERVED.



RECOMMENDED PCB CONFIGURATION WITH KEEP-OUT AREAS SINGLE SIDED APPLICATIONS SCALE 4:1

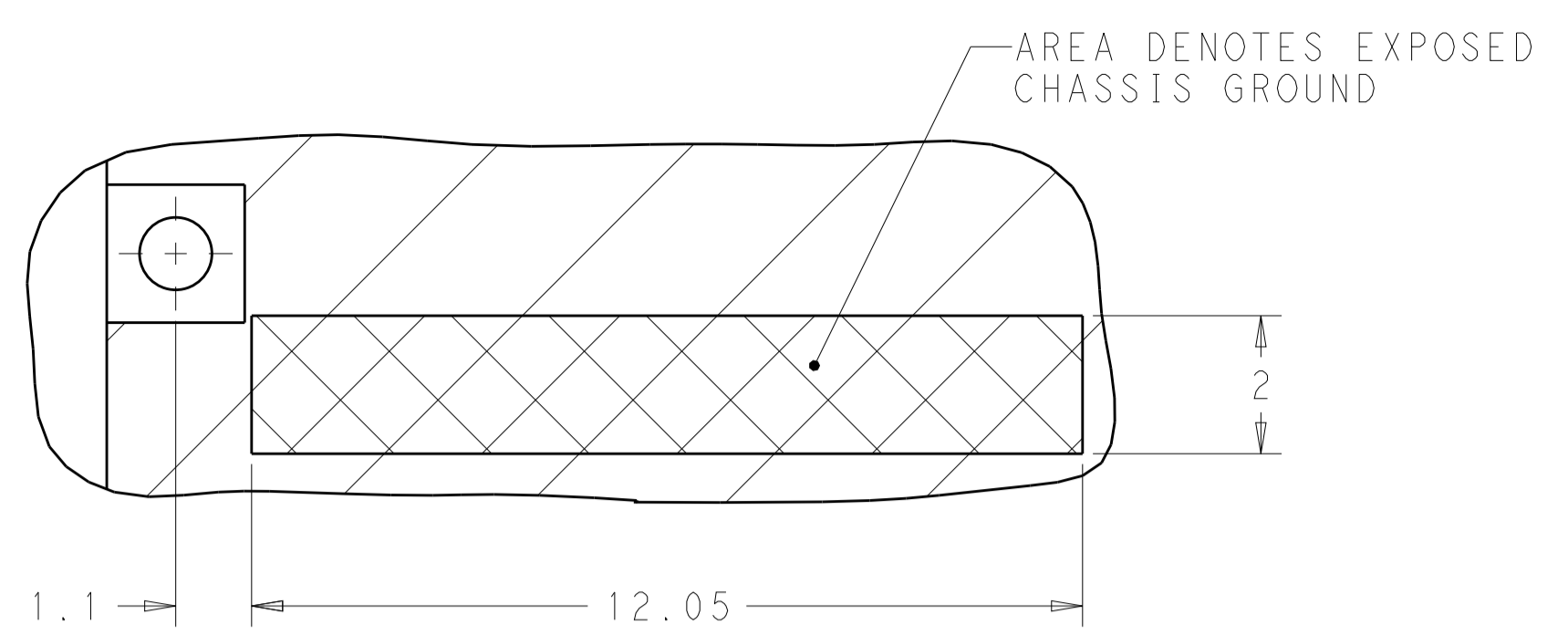
CROSS-HATCHED AREA DENOTES COMPONENT AND TRACE KEEP-OUT (EXCEPT CHASSIS GROUND)

THIS DRAWING IS A CONTROLLED DOCUMENT.		DWN: B. MATTHEWS 15NOV2011				TE Connectivity	
DIMENSIONS: mm		TOLERANCES UNLESS OTHERWISE SPECIFIED:		M. SCHMITT 15NOV2011		NAME: SFP+ ENHANCED 1X6 CAGE ASSEMBLY, PRESS FIT, EXTERNAL EMI SPRINGS WITH HEATSINK AND LIGHTPIPE	
0 PLC ±0.1		1 PLC ±0.1		APVD: M. SCHMITT 15NOV2011		PRODUCT SPEC: 108-2364	
2 PLC ±0.1		3 PLC ±0.1		APPLICATION SPEC: 114-13120		RESTRICTED TO	
4 PLC ±0.1		ANGLES ±1*		MATERIAL: FINISH: *		SIZE: CAGE CODE DRAWING NO: 100779	
CUSTOMER DRAWING		WEIGHT: 114-13120		SCALE: 4:1		SHEET 3 OF 4	
Customer Drawing		Customer Drawing		Customer Drawing		REV A	

LOC	DIST	REV	DATE	BY	APPV
GP	00				

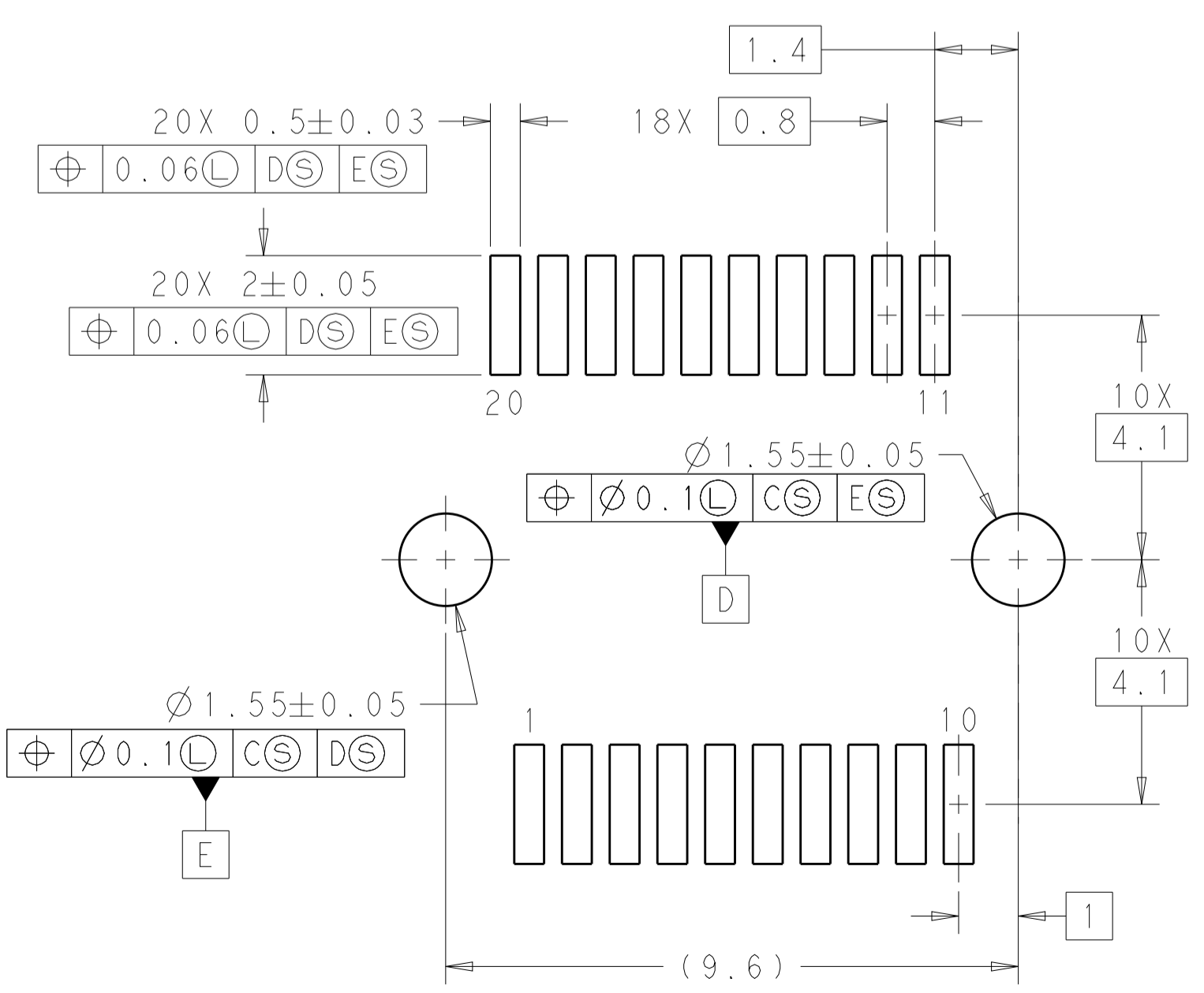
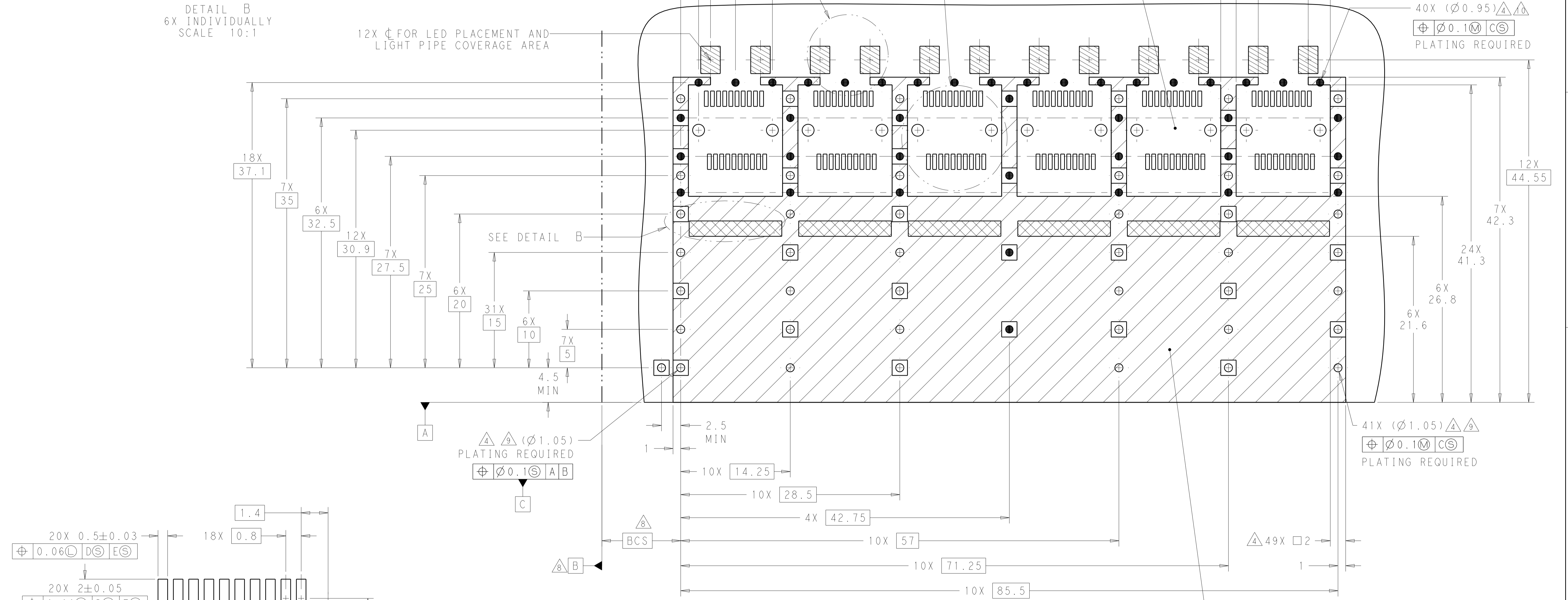
  

REVISIONS		
NO.	DESCRIPTION	DATE
-	SEE SHEET 1	-

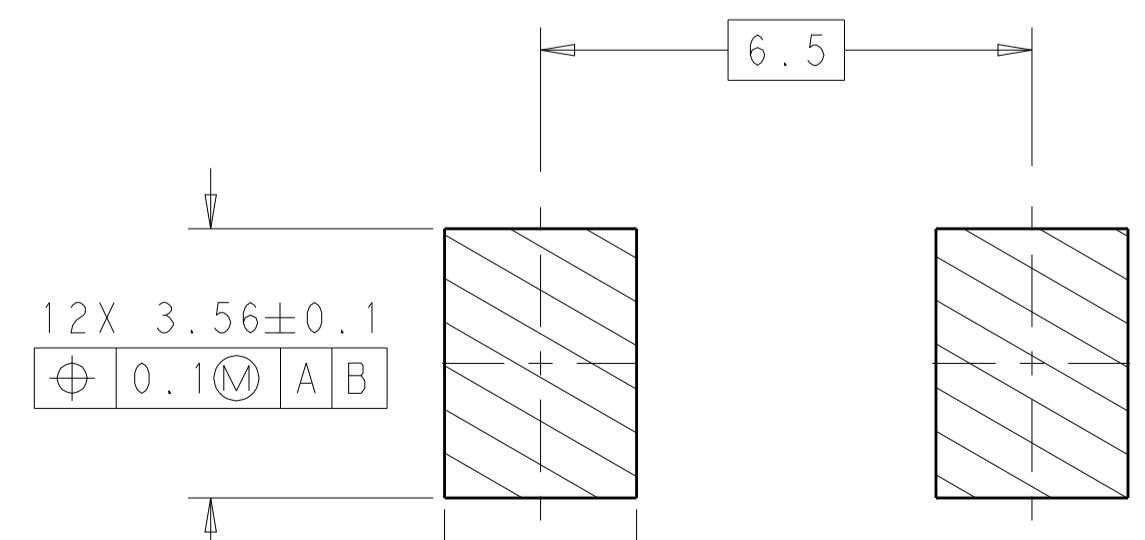


DETAIL B  
6X INDIVIDUALLY  
SCALE 10:1

12X  $\phi$  FOR LED PLACEMENT AND LIGHT PIPE COVERAGE AREA



DETAIL Y  
RECOMMENDED PT CONNECTOR LAYOUT  
12X INDIVIDUALLY  
SCALE 10:1



DETAIL Z  
SCALE 10:1

THIS DRAWING IS A CONTROLLED DOCUMENT.		OWN: B. MATTHEWS 15NOV2011	TE Connectivity NAME: SFP+ ENHANCED 1X6 CAGE ASSEMBLY, PRESS FIT, EXTERNAL EMI SPRINGS WITH HEATSINK AND LIGHTPIPE PRODUCT SPEC: 108-2364 APPLICATION SPEC: 114-13120 SIZE: CAGE CODE DRAWING NO: A100779C=2198236 RESTRICTED TO: - SCALE: 4:1 SHEET 4 OF 4 REV A
DIMENSIONS: mm		CHK: M. SCHMITT 15NOV2011	
TOLERANCES UNLESS OTHERWISE SPECIFIED:		APVD: M. SCHMITT 15NOV2011	
0 PLC +/-0.1 1 PLC +/-0.1 2 PLC +/-0.1 3 PLC +/-0.1 4 PLC +/-0.1 ANGLES +/-0.1 FINISH: #1*		MATERIAL: FINISH: #1*	
Customer Drawing		Customer Drawing	



## Стандарт Электрон Связь

Мы молодая и активно развивающаяся компания в области поставок электронных компонентов. Мы поставляем электронные компоненты отечественного и импортного производства напрямую от производителей и с крупнейших складов мира.

Благодаря сотрудничеству с мировыми поставщиками мы осуществляем комплексные и плановые поставки широчайшего спектра электронных компонентов.

Собственная эффективная логистика и склад в обеспечивает надежную поставку продукции в точно указанные сроки по всей России.

Мы осуществляем техническую поддержку нашим клиентам и предпродажную проверку качества продукции. На все поставляемые продукты мы предоставляем гарантию .

Осуществляем поставки продукции под контролем ВП МО РФ на предприятия военно-промышленного комплекса России , а также работаем в рамках 275 ФЗ с открытием отдельных счетов в уполномоченном банке. Система менеджмента качества компании соответствует требованиям ГОСТ ISO 9001.

Минимальные сроки поставки, гибкие цены, неограниченный ассортимент и индивидуальный подход к клиентам являются основой для выстраивания долгосрочного и эффективного сотрудничества с предприятиями радиоэлектронной промышленности, предприятиями ВПК и научно-исследовательскими институтами России.

С нами вы становитесь еще успешнее!

### Наши контакты:

**Телефон:** +7 812 627 14 35

**Электронная почта:** [sales@st-electron.ru](mailto:sales@st-electron.ru)

**Адрес:** 198099, Санкт-Петербург,  
Промышленная ул, дом № 19, литера Н,  
помещение 100-Н Офис 331