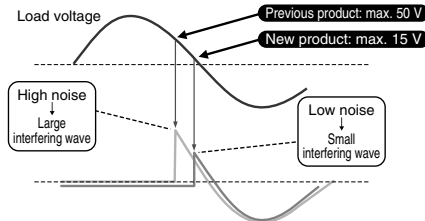


Phototriac coupler ideal for triac driver with wide variation

APT Phototriac Coupler

FEATURES

1. Low zero-cross voltage (max. 15 V) type added to lineup. Approximately 1/3 of previous product
Helps reduce device noises even further.



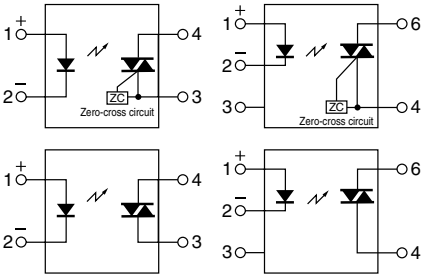
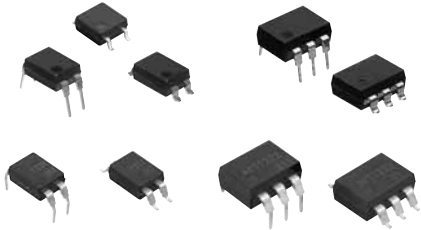
2. Two types available: Random type and zero-cross type
3. Many package sizes available. (Wide terminal type with 10.16 mm pitch between I/O terminals available.)
4. High dielectric strength. (Between input and output: SOP 3, 750 V; DIP 5,000 V)
5. Handles both 100 and 200 V AC loads

This relay handles both voltages in a single product it is not necessary for users that use both types to manage separate part numbers.

6. Terminal 5 of the DIP 6-pin type is completely molded.

TYPICAL APPLICATIONS

- For triac driver in heater controls of products such as office equipment, home appliances, and industrial machines. (For 100V/200V, 50/60 Hz lines)
- Triac driver for SSRs



RoHS compliant

TYPES

1. SOP4 Type

| Type | Output rating | | Type | Package size | Part No. | | | Packing quantity | |
|---------|-----------------------------------|----------------------|------------------------|--------------|--------------------|--|--|---|---------------|
| | Repetitive peak OFF-state voltage | ON-state RMS current | | | Tube packing style | Tape and reel packing style | | Tube | Tape and reel |
| AC type | 600 V | 50 mA | Zero-cross (max. 50 V) | SOP4pin | APT1211S | APT1211SX (Picked from the 1/2-pin side) | APT1211SZ (Picked from the 3/4-pin side) | 1 tube contains: 100 pcs. 1 batch contains: 2,000 pcs. | 1,000 pcs. |
| | | | Zero-cross (max. 15 V) | | APT1231S | APT1231SX (Picked from the 1/2-pin side) | APT1231SZ (Picked from the 3/4-pin side) | | |
| | | | Random | | APT1221S | APT1221SX (Picked from the 1/2-pin side) | APT1221SZ (Picked from the 3/4-pin side) | | |

Note: For space reasons, the initial letters of the product number "APT" and "S" are omitted on the product seal.
The package type indicator "X" and "Z" are omitted from the seal. (Ex. the label for product number APT1221SZ is 1221).

2. DIP4/6 Type

| Type | Output rating | | Type | Package size | Part No. | | | | Packing quantity | |
|---------|-----------------------------------|----------------------|------------------------|--------------|-----------------------|------------------------|---|---|--|--------------------------------------|
| | Repetitive peak OFF-state voltage | ON-state RMS current | | | Through hole terminal | Surface-mount terminal | | Tube | Tape and reel | |
| | | | | | Tube packing style | | Tape and reel packing style | | | |
| AC type | 600 V | 100 mA | Zero-cross (max. 50 V) | DIP4pin | APT1211 | APT1211A | APT1211AX (Picked from the 1/2-pin side) | APT1211AZ (Picked from the 3/4-pin side) | [DIP4pin] 1 tube contains: 100 pcs. 1 batch contains: 1,000 pcs. | [DIP4pin] [DIP6pin] 1,000 pcs. |
| | | | Zero-cross (max. 15 V) | | APT1231 | APT1231A | APT1231AX (Picked from the 1/2-pin side) | APT1231AZ (Picked from the 3/4-pin side) | | |
| | | | Random | | APT1221 | APT1221A | APT1221AX (Picked from the 1/2-pin side) | APT1221AZ (Picked from the 3/4-pin side) | | |
| | | | Zero-cross (max. 50 V) | DIP6pin | APT1212 | APT1212A | APT1212AX (Picked from the 1/2/3-pin side) | APT1212AZ (Picked from the 4/6-pin side) | | |
| | | | Zero-cross (max. 15 V) | | APT1232 | APT1232A | APT1232AX (Picked from the 1/2/3-pin side) | APT1232AZ (Picked from the 4/6-pin side) | | |
| | | | Random | | APT1222 | APT1222A | APT1222AX (Picked from the 1/2/3-pin side) | APT1222AZ (Picked from the 4/6-pin side) | | |

Note: For space reasons the initial letters "APT" of the product number for the DIP 4-pin type, the letter "A", which indicates the SMD terminal shape for the DIP 4-pin and 6-pin types, and the package type indications "X" and "Z" have been omitted from the product label. (Example: The label for product number APT1221AZ is 1221.)

3. DIP4/6 Wide Terminal Type

| Type | Output rating* | | Type | Package size | Part No. | | | | Packing quantity | |
|---------|-----------------------------------|----------------------|------------------------|--------------|-----------------------|------------------------|--|--|--|--------------------------------------|
| | Repetitive peak OFF-state voltage | ON-state RMS current | | | Through hole terminal | Surface-mount terminal | | Tube | Tape and reel | |
| | | | | | Tube packing style | | Tape and reel packing style | | | |
| AC type | 600 V | 100 mA | Zero-cross (max. 50 V) | DIP4pin | APT1211W | APT1211WA | APT1211WAY (Picked from the 1/4-pin side) | APT1211WAW (Picked from the 2/3-pin side) | [DIP4pin] 1 tube contains: 100 pcs. 1 batch contains: 1,000 pcs. | [DIP4pin] [DIP6pin] 1,000 pcs. |
| | | | Zero-cross (max. 15 V) | | APT1231W | APT1231WA | APT1231WAY (Picked from the 1/4-pin side) | APT1231WAW (Picked from the 2/3-pin side) | | |
| | | | Random | | APT1221W | APT1221WA | APT1221WAY (Picked from the 1/4-pin side) | APT1221WAW (Picked from the 2/3-pin side) | | |
| | | | Zero-cross (max. 50 V) | DIP6pin | APT1212W | APT1212WA | APT1212WAY (Picked from the 1/6-pin side) | APT1212WAW (Picked from the 3/4-pin side) | | |
| | | | Zero-cross (max. 15 V) | | APT1232W | APT1232WA | APT1232WAY (Picked from the 1/6-pin side) | APT1232WAW (Picked from the 3/4-pin side) | | |
| | | | Random | | APT1222W | APT1222WA | APT1222WAY (Picked from the 1/6-pin side) | APT1222WAW (Picked from the 3/4-pin side) | | |

Note: For space reasons the initial letters "APT" of the product number for the DIP 4-pin type, the letter "WA", which indicates the SMD terminal shape for the DIP 4-pin and 6-pin types, and the package type indications "Y" and "W" have been omitted from the product label. (Example: The label for product number APT1221WAY is 1221.)

RATING

1. Absolute maximum ratings (Ambient temperature: 25°C 77°F)

1) SOP4 types

| Item | | Symbol | APT1211S, APT1221S, APT1231S | Remarks |
|-------------------------|-----------------------------------|---------------------|---------------------------------|------------------------------------|
| Input | LED forward current | I _F | 50 mA | |
| | LED reverse voltage | V _R | 6 V | |
| | Peak forward current | I _{FP} | 1 A | f = 100 Hz, Duty Ratio = 0.1% |
| Output | Repetitive peak OFF-state voltage | V _{DRM} | 600 V | |
| | ON-state RMS current* | I _{T(RMS)} | 0.05 A | AC |
| | Non-repetitive surge current | I _{TSM} | 0.6 A | In one cycle at 60Hz |
| Total power dissipation | | P _T | 350 mW | |
| I/O isolation voltage | | V _{iso} | 3,750 V AC | |
| Temperature limits | Operating | T _{opr} | -40°C to +100°C -40°F to +212°F | Non-condensing at low temperatures |
| | Storage | T _{stg} | -40°C to +125°C -40°F to +257°F | |

Note: "X" and "Z" at the end of the part numbers have been omitted.

APT1

2) DIP4/6 type and DIP4/6 Wide terminal type

| Item | | Symbol | APT1211(W), APT1221(W), APT1231(W), APT1212(W), APT1222(W), APT1232(W) | Remarks |
|-------------------------|-----------------------------------|--------------|--|------------------------------------|
| Input | LED forward current | I_F | 50 mA | |
| | LED reverse voltage | V_R | 6 V | |
| | Peak forward current | I_{FP} | 1 A | f = 100 Hz, Duty Ratio = 0.1% |
| Output | Repetitive peak OFF-state voltage | V_{DRM} | 600 V | |
| | ON-state RMS current* | $I_{T(RMS)}$ | 0.1 A | AC |
| | Non-repetitive surge current | I_{TSM} | 1.2 A | In one cycle at 60Hz |
| Total power dissipation | | P_T | 500 mW | |
| I/O isolation voltage | | V_{iso} | 5,000 V AC | |
| Temperature limits | Operating | T_{opr} | -40°C to +100°C -40°F to +212°F | Non-condensing at low temperatures |
| | Storage | T_{stg} | -40°C to +125°C -40°F to +257°F | |

Note: "A", "AX", "AZ", "AY" and "AW" at the end of the part numbers have been omitted.

* Do not exceed 0.05 A of ON state RMS current in case of following load voltage condition.

DIP4pin (APT1211, APT1221, APT1231) and DIP4pin wide terminal type (APT1211W, APT1221W, APT1231W): more than 100 V AC;

DIP6pin (APT1212, APT1222, APT1232) and DIP6pin wide terminal type (APT1212W, APT1222W, APT1232W): more than 120 V AC.

2. Characteristics (Ambient temperature: 25°C 77°F)

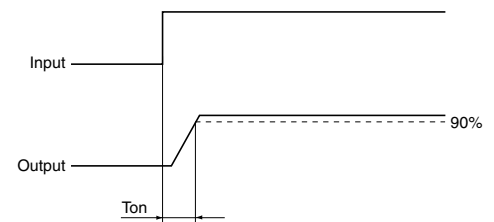
1) Zero-cross type (max. 50V) and random type

| Item | | Symbol | APT1211S, APT1211(W), APT1212(W) | APT1221S, APT1221(W), APT1222(W) | Condition |
|--|-----------------------------------|---------|----------------------------------|---|--|
| Input | LED dropout voltage | Typical | V_F | 1.21 V | $I_F = 20 \text{ mA}$ |
| | | Maximum | | 1.3 V | |
| Input | LED reverse current | Typical | I_R | — | $V_R = 6 \text{ V}$ |
| | | Maximum | | 10 μA | |
| Output | Repetitive peak OFF-state current | Typical | I_{DRM} | — | $I_F = 0 \text{ mA}$ $V_{DRM} = 600 \text{ V}$ |
| | | Maximum | | 1 μA | |
| | Repetitive peak On-state voltage | Typical | V_{TM} | 1.3 V | $I_F = 10 \text{ mA}$ $I_{TM} = 0.05 \text{ A}$ |
| | | Maximum | | 2.5 V | |
| | Holding current | Typical | I_H | 0.3 mA | |
| Maximum | | 3.5 mA | | | |
| Critical rate of rise of OFF-state voltage | Minimum | dv/dt | 500 V/ μs | $V_{DRM} = 600 \text{ V} \times 1/\sqrt{2}$ | |
| Transfer characteristics | Trigger LED current | Maximum | I_{FT} | 10 mA | $V_D = 6 \text{ V}$ $R_L = 100 \Omega$ |
| | Zero-cross voltage | Maximum | V_{ZC} | 50 V | $I_F = 10 \text{ mA}$ |
| | Turn on time* | Maximum | T_{on} | 100 μs | $I_F = 20 \text{ mA}$ $V_D = 6 \text{ V}$ $R_L = 100 \Omega$ |
| | I/O capacitance | Maximum | C_{iso} | 1.5 pF | f = 1 MHz $V_B = 0 \text{ V}$ |
| | I/O isolation resistance | Minimum | R_{iso} | 50 G Ω | 500 V DC |

Notes: 1. For type of connection, see page 41.

2. Terminals are either solder plated or solder dipped.

*Turn on time

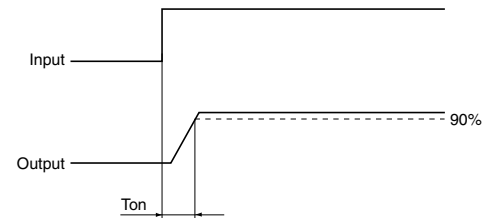


2) Zero-cross type (max. 15V)

| Item | | | Symbol | APT1231S, APT1231(W), APT1232(W) | Condition |
|--|-----------------------------------|---------|------------------|----------------------------------|--|
| Input | LED dropout voltage | Typical | V _F | 1.21 V | I _F = 20 mA |
| | | Maximum | | 1.3 V | |
| | LED reverse current | Typical | I _R | — | V _R = 6 V |
| | | Maximum | | 10 μA | |
| Output | Repetitive peak OFF-state current | Typical | I _{DRM} | — | I _F = 0 mA V _{DRM} = 600 V |
| | | Maximum | | 1 μA | |
| | Repetitive peak On-state voltage | Typical | V _{TM} | 1.2 V | I _F = 10 mA I _{TM} = 0.03 A |
| | | Maximum | | 2 V | |
| | Holding current | Typical | I _H | 0.3 mA | |
| | | Maximum | | 3.5 mA | |
| Critical rate of rise of OFF-state voltage | Minimum | dv/dt | 500 V/μs | V _{DRM} = 600 V × 1/√2 | |
| Transfer characteristics | Trigger LED current | Maximum | I _{FT} | 10 mA | I _{TM} = 0.03 A |
| | Zero-cross voltage | Maximum | V _{ZC} | 15 V | I _F = 10 mA |
| | Turn on time* | Maximum | T _{on} | 100 μs | I _F = 20 mA I _{TM} = 0.03 A |
| | I/O capacitance | Maximum | C _{iso} | 1.5 pF | f = 1 MHz V _B = 0 V |
| | I/O isolation resistance | Minimum | R _{iso} | 50 GΩ | 500 V DC |

Notes: 1. For type of connection, see page 41.
2. Terminals are either solder plated or solder dipped.

***Turn on time**



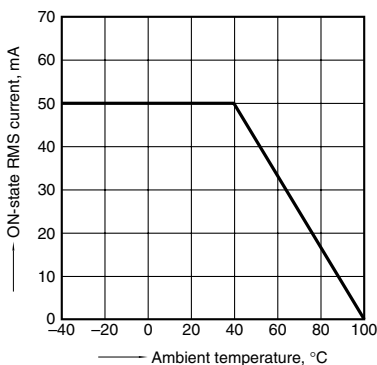
RECOMMENDED OPERATING CONDITIONS

Please follow the conditions below in order to ensure accurate operation and release of the phototriac coupler.

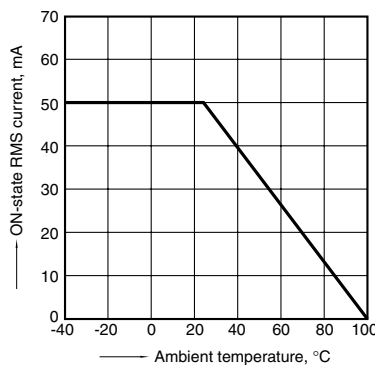
| Item | Symbol | Value | Unit |
|-------------------|----------------|-------|------|
| Input LED current | I _F | 20 | mA |

REFERENCE DATA

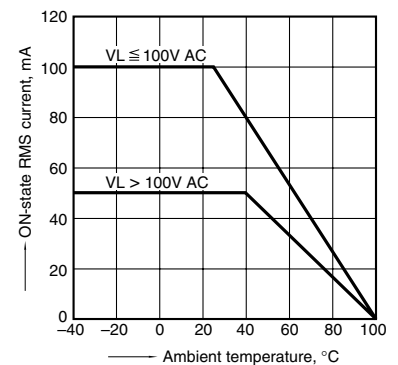
1-(1). ON-state RMS current vs. ambient temperature characteristics
Allowable ambient temperature: -40°C to +100°C
-40°F to +212°F
Tested sample: APT1211S, APT1221S



1-(2). ON-state RMS current vs. ambient temperature characteristics
Allowable ambient temperature: -40°C to +100°C
-40°F to +212°F
Tested sample: APT1231S



1-(3). ON-state RMS current vs. ambient temperature characteristics
Allowable ambient temperature: -40°C to +100°C
-40°F to +212°F
Tested sample: APT1211(A), APT1221(A), APT1211W(A), APT1221W(A)

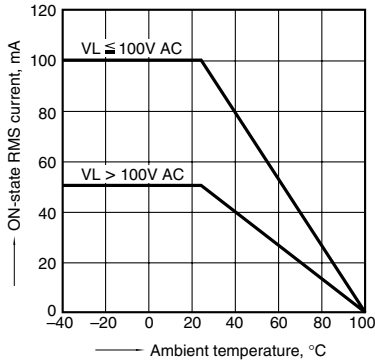


APT1

1-(4). ON-state RMS current vs. ambient temperature characteristics

Allowable ambient temperature: -40°C to $+100^{\circ}\text{C}$
 -40°F to $+212^{\circ}\text{F}$

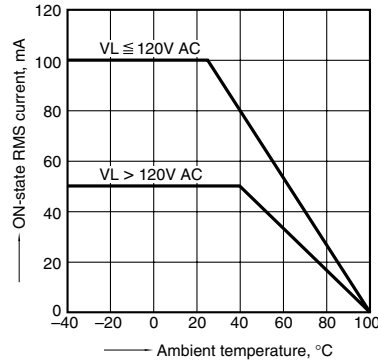
Tested sample: APT1231(A), APT1231W(A)



1-(5). ON-state RMS current vs. ambient temperature characteristics

Allowable ambient temperature: -40°C to $+100^{\circ}\text{C}$
 -40°F to $+212^{\circ}\text{F}$

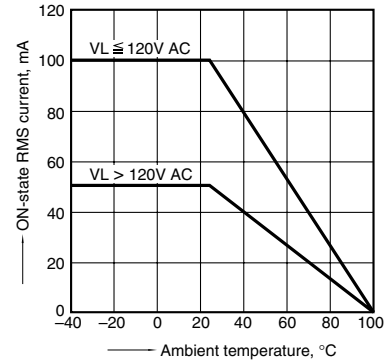
Tested sample: APT1212(A), APT1222(A),
 APT1212W(A), APT1222W(A)



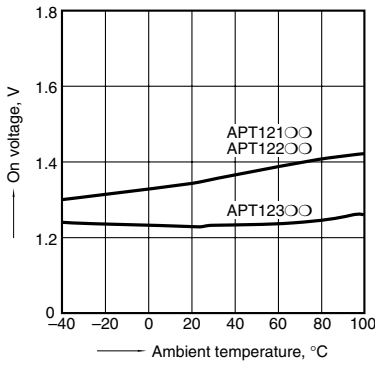
1-(6). ON-state RMS current vs. ambient temperature characteristics

Allowable ambient temperature: -40°C to $+100^{\circ}\text{C}$
 -40°F to $+212^{\circ}\text{F}$

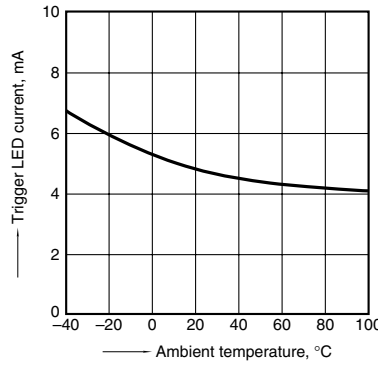
Tested sample: APT1232(A), APT1232W(A)



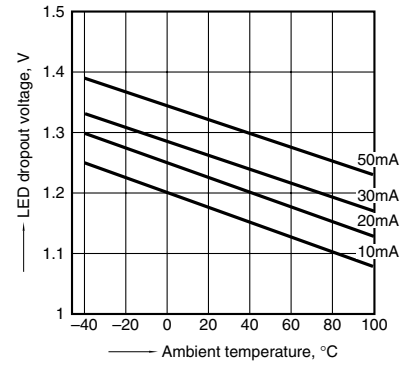
2. On voltage vs. ambient temperature characteristics



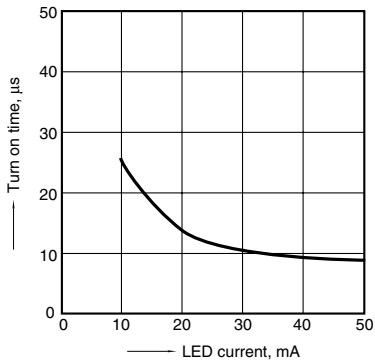
3. Trigger LED current vs. ambient temperature characteristics



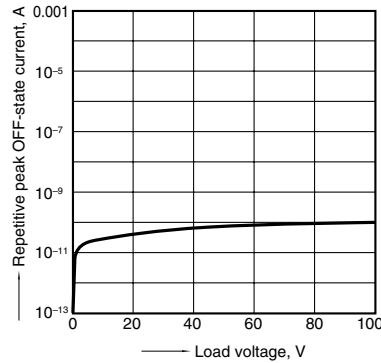
4. LED dropout voltage vs. ambient temperature characteristics



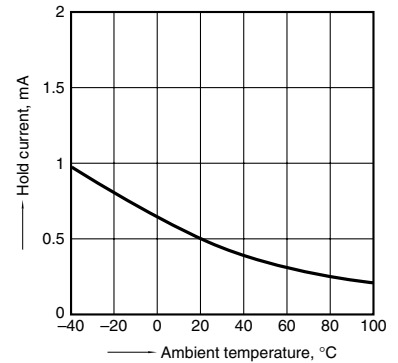
5. Turn on time vs. LED current characteristics



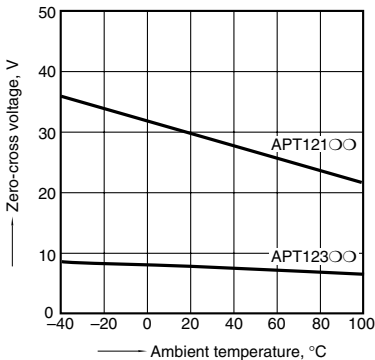
6. Repetitive peak OFF-state current vs. Load voltage characteristics



7. Hold current vs. ambient temperature characteristics



8. Zero-cross voltage vs. ambient temperature characteristics



DIMENSIONS (mm inch)

The CAD data of the products with a **CAD Data** mark can be downloaded from: <http://industrial.panasonic.com/ac/e/>

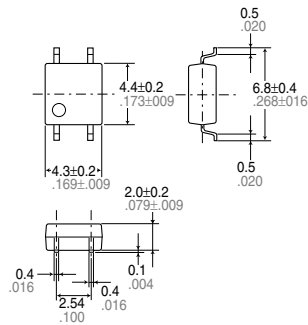
1. SOP Type

APT1211S, APT1221S, APT1231S

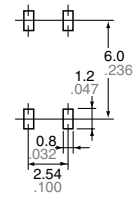
CAD Data



External dimensions



Recommended mounting pad (TOP VIEW)



Tolerance: ±0.1 ±.004

Terminal thickness = 0.15 .006
General tolerance: ±0.1 ±.004

2. DIP4 Type

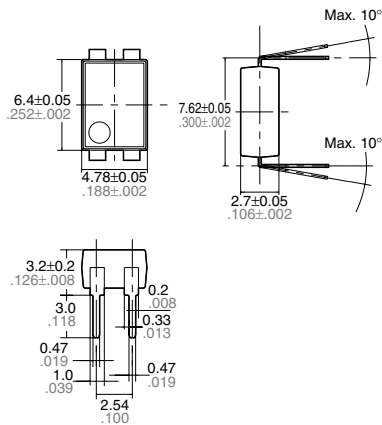
APT1211(A), APT1221(A), APT1231(A)

CAD Data

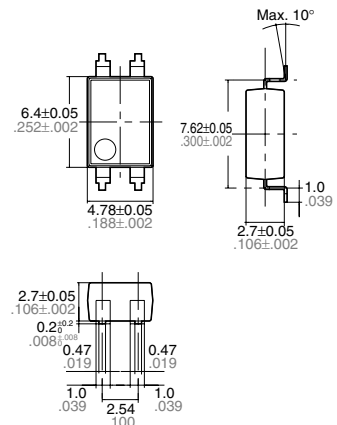


External dimensions

Through hole terminal type

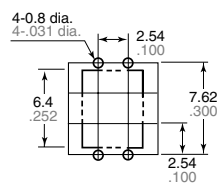


Surface mount terminal type



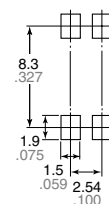
Terminal thickness = 0.20 .008
General tolerance: ±0.1 ±.004

PC board pattern (BOTTOM VIEW)



Tolerance: ±0.1 ±.004

Recommended mounting pad (TOP VIEW)



Tolerance: ±0.1 ±.004

APT1

3. DIP4 Wide Terminal Type

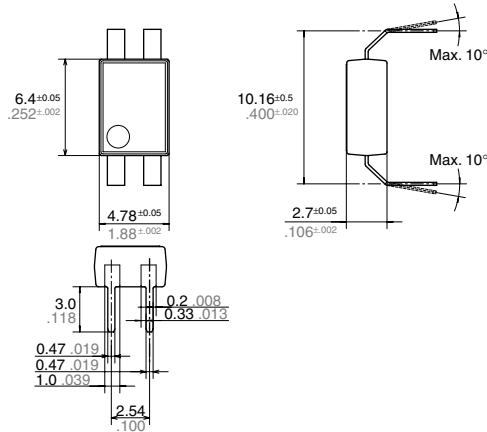
APT1211W(A), APT1221W(A), APT1231W(A)

CAD Data

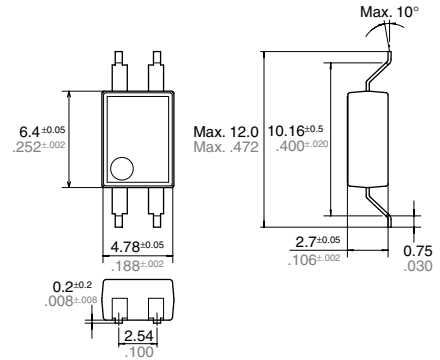


External dimensions

Through hole terminal type

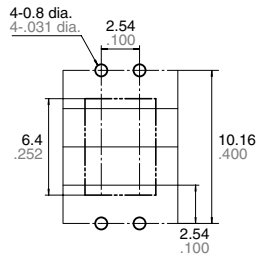


Surface mount terminal type



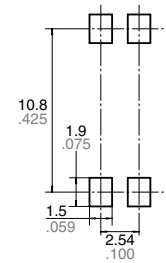
Terminal thickness = 0.20 ±0.008
General tolerance: ±0.1 ±0.004

PC board pattern (BOTTOM VIEW)



Tolerance: ±0.1 ±0.004

Recommended mounting pad (TOP VIEW)



Tolerance: ±0.1 ±0.004

4. DIP6 Type

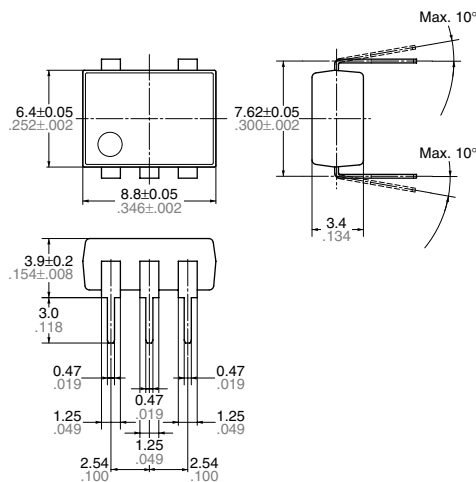
APT1212(A), APT1222(A), APT1232(A)

CAD Data

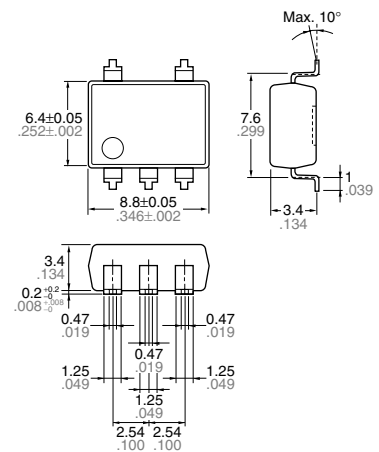


External dimensions

Through hole terminal type

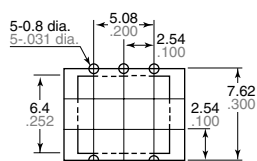


Surface mount terminal type



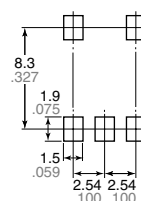
Terminal thickness = 0.25 ±0.010
General tolerance: ±0.1 ±0.004

PC board pattern (BOTTOM VIEW)



Tolerance: ±0.1 ±0.004

Recommended mounting pad (TOP VIEW)

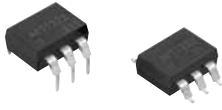


Tolerance: ±0.1 ±0.004

5. DIP6 Wide Terminal Type

APT1212W(A), APT1222W(A), APT1232W(A)

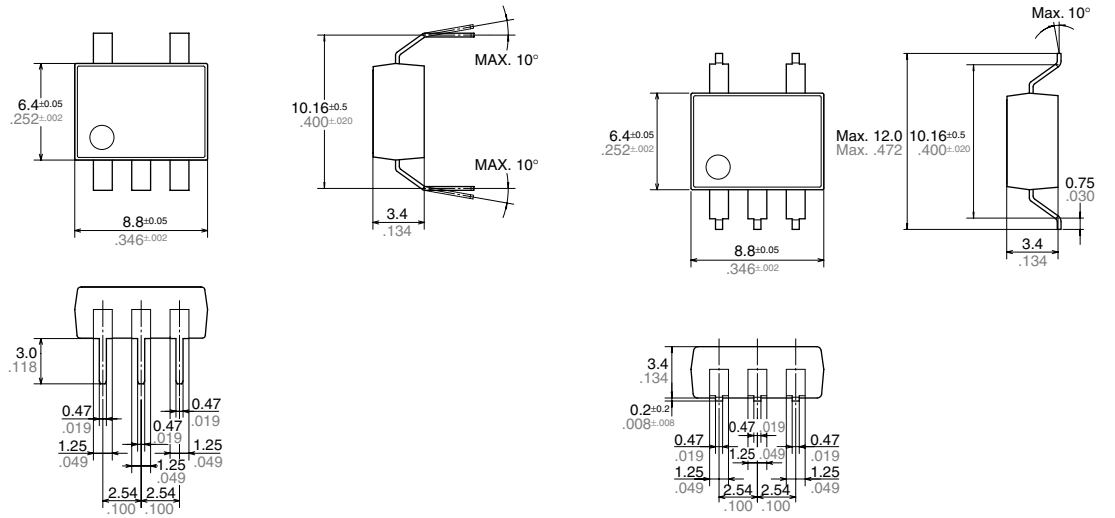
CAD Data



External dimensions

Through hole terminal type

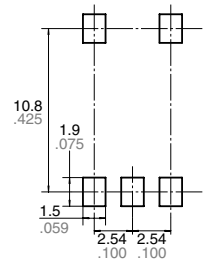
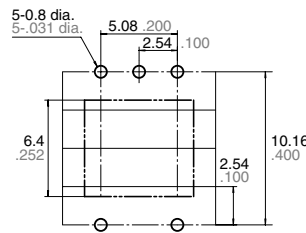
Surface mount terminal type



Terminal thickness = 0.25 ±.010
General tolerance: ±0.1 ±.004

PC board pattern (BOTTOM VIEW)

Recommended mounting pad (TOP VIEW)



Tolerance: ±0.1 ±.004

Tolerance: ±0.1 ±.004

SCHEMATIC AND WIRING DIAGRAMS

Notes: E1: Power source at input side; IF: LED forward current; VL: Load voltage; IL: Load current

| Schematic | Output configuration | Load | Wiring diagram |
|-----------|----------------------|------|----------------|
| | 1 Form A | AC | |
| | | | |
| | | | |
| | | | |



Стандарт Электрон Связь

Мы молодая и активно развивающаяся компания в области поставок электронных компонентов. Мы поставляем электронные компоненты отечественного и импортного производства напрямую от производителей и с крупнейших складов мира.

Благодаря сотрудничеству с мировыми поставщиками мы осуществляем комплексные и плановые поставки широчайшего спектра электронных компонентов.

Собственная эффективная логистика и склад в обеспечивает надежную поставку продукции в точно указанные сроки по всей России.

Мы осуществляем техническую поддержку нашим клиентам и предпродажную проверку качества продукции. На все поставляемые продукты мы предоставляем гарантию .

Осуществляем поставки продукции под контролем ВП МО РФ на предприятия военно-промышленного комплекса России , а также работаем в рамках 275 ФЗ с открытием отдельных счетов в уполномоченном банке. Система менеджмента качества компании соответствует требованиям ГОСТ ISO 9001.

Минимальные сроки поставки, гибкие цены, неограниченный ассортимент и индивидуальный подход к клиентам являются основой для выстраивания долгосрочного и эффективного сотрудничества с предприятиями радиоэлектронной промышленности, предприятиями ВПК и научно-исследовательскими институтами России.

С нами вы становитесь еще успешнее!

Наши контакты:

Телефон: +7 812 627 14 35

Электронная почта: sales@st-electron.ru

Адрес: 198099, Санкт-Петербург,
Промышленная ул, дом № 19, литера Н,
помещение 100-Н Офис 331