

Power Tracking 2A Battery Charger for Solar Power

FEATURES

- Input Supply Voltage Regulation Loop for Peak Power Tracking in (MPPT) Solar Applications
- Wide Input Voltage Range: 4.95V to 32V (40V Abs Max)
- Programmable Charge Rate Up to 2A
- User Selectable Termination: C/10 or On-Board Termination Timer
- Resistor Programmable Float Voltage Up to 14.4V Accommodates Li-Ion/Polymer, LiFePO₄, SLA Chemistries
- No V_{IN} Blocking Diode Required for Battery Voltages ≤ 4.2V
- 1MHz Fixed Frequency
- 0.5% Float Voltage Reference Accuracy
- 5% Charge Current Accuracy
- 2.5% C/10 Detection Accuracy
- Binary-Coded Open-Collector Status Pins
- Thermally Enhanced 12-Lead 3mm × 3mm DFN and MSE Packages

APPLICATIONS

- Solar Powered Applications
- Remote Monitoring Stations
- LiFePO₄ (Lithium Phosphate) Applications
- Portable Handheld Instruments
- 12V to 24V Automotive Systems

DESCRIPTION

The LT[®]3652 is a complete monolithic step-down battery charger that operates over a 4.95V to 32V input voltage range. The LT3652 provides a constant-current/constant-voltage charge characteristic, with maximum charge current externally programmable up to 2A. The charger employs a 3.3V float voltage feedback reference, so any desired battery float voltage up to 14.4V can be programmed with a resistor divider.

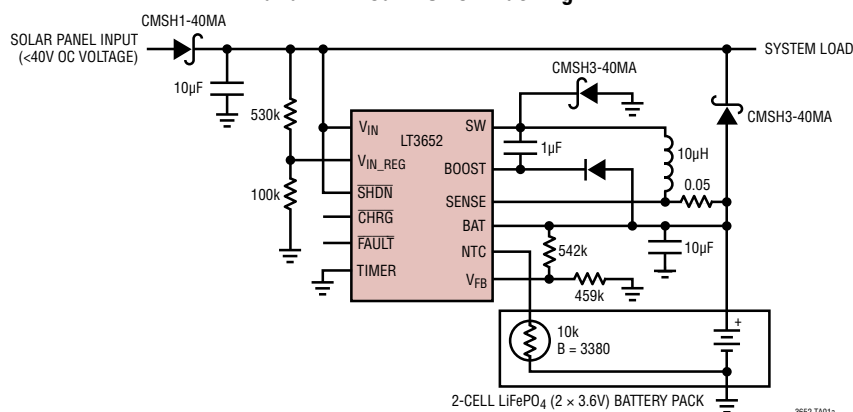
The LT3652 employs an input voltage regulation loop, which reduces charge current if the input voltage falls below a programmed level, set with a resistor divider. When the LT3652 is powered by a solar panel, the input regulation loop is used to maintain the panel at peak output power.

The LT3652 can be configured to terminate charging when charge current falls below 1/10 of the programmed maximum (C/10). Once charging is terminated, the LT3652 enters a low-current (85μA) standby mode. An auto-recharge feature starts a new charging cycle if the battery voltage falls 2.5% below the programmed float voltage. The LT3652 also contains a programmable safety timer, used to terminate charging after a desired time is reached. This allows top-off charging at currents less than C/10.

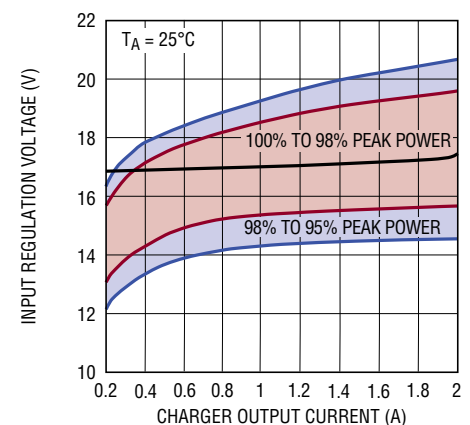
LT, LT, LTC, LTM, Linear Technology and the Linear logo are registered trademarks and PowerPath is a trademark of Linear Technology Corporation. All other trademarks are the property of their respective owners.

TYPICAL APPLICATION

2A Solar Panel Power Manager With 7.2V LiFePO₄ Battery and 17V Peak Power Tracking



Solar Panel Input Voltage Regulation, Tracks Max Power Point to Greater Than 98%



3652fe

ABSOLUTE MAXIMUM RATINGS

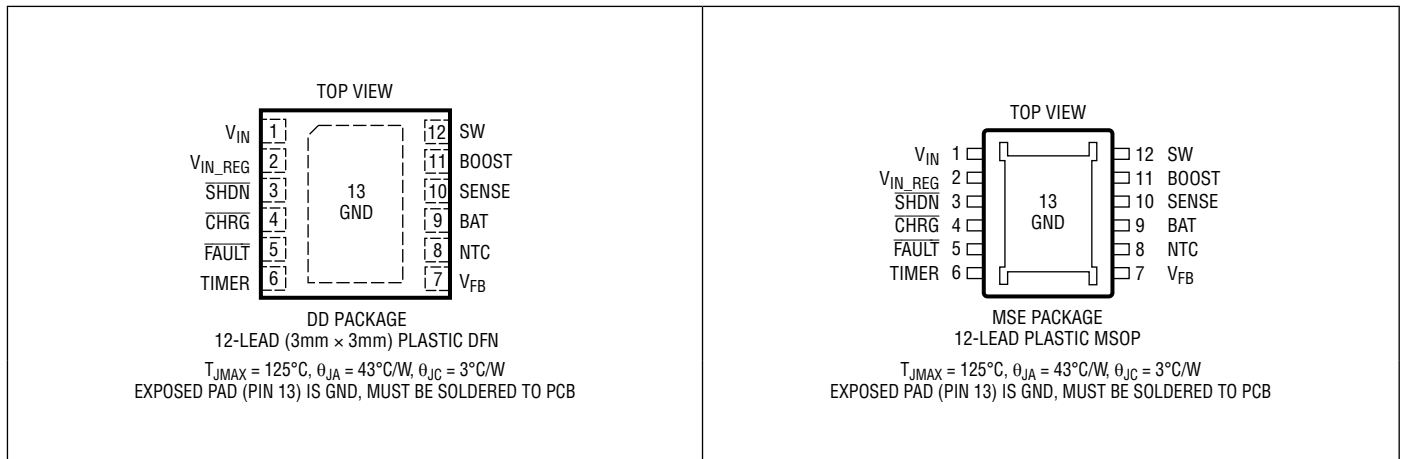
(Note 1)

Voltages:

V_{IN}	40V
V_{IN_REG} , SHDN, CHRG, FAULT	$V_{IN} + 0.5V$, 40V
SW	40V
SW- V_{IN}	4.5V
BOOST	SW+10V, 50V
BAT, SENSE	15V

BAT-SENSE	-0.5V to +0.5V
NTC, TIMER,	2.5V
V_{FB}	5V
Operating Junction Temperature Range	
(Note 2)	-40°C to 125°C
Storage Temperature Range	-65°C to 150°C

PIN CONFIGURATION



ORDER INFORMATION

LEAD FREE FINISH	TAPE AND REEL	PART MARKING*	PACKAGE DESCRIPTION	TEMPERATURE RANGE
LT3652EDD#PBF	LT3652EDD#TRPBF	LFHT	12-Lead Plastic DFN 3mm × 3mm	-40°C to 125°C
LT3652IDD#PBF	LT3652IDD#TRPBF	LFHT	12-Lead Plastic DFN 3mm × 3mm	-40°C to 125°C
LT3652EMSE#PBF	LT3652EMSE#TRPBF	3652	12-Lead Plastic MSOP	-40°C to 125°C
LT3652IMSE#PBF	LT3652IMSE#TRPBF	3652	12-Lead Plastic MSOP	-40°C to 125°C

Consult LTC Marketing for parts specified with wider operating temperature ranges.

For more information on lead free part marking, go to: <http://www.linear.com/leadfree/>

For more information on tape and reel specifications, go to: <http://www.linear.com/tapeandreeel/>. Some packages are available in 500 unit reels through designated sales channels with #TRMPBF suffix.

ELECTRICAL CHARACTERISTICS The ● denotes the specifications which apply over the full operating temperature range, otherwise specifications are at $T_A = 25^\circ\text{C}$ (Note 2). $V_{IN} = 20\text{V}$, Boost – SW = 4V, SHDN = 2V, $V_{FB} = 3.3\text{V}$, $C_{TIMER} = 0.68\mu\text{F}$.

SYMBOL	PARAMETER	CONDITIONS	MIN	TYP	MAX	UNITS
V_{IN}	V_{IN} Operating Range V_{IN} Start Voltage	$V_{BAT} = 4.2$ (Notes 3, 4)	● 4.95		32	V
		$V_{BAT} = 4.2$ (Note 4)	● 7.5			V
$V_{IN(OVLO)}$	OVLO Threshold OVLO Hysteresis	V_{IN} Rising	● 32	35 1	40	V V
$V_{IN(UVLO)}$	UVLO Threshold UVLO Hysteresis	V_{IN} Rising		4.6 0.2	4.95	V V
$V_{FB(FLT)}$	Float Voltage Reference	(Note 6)	● 3.282	3.3	3.318	V
			3.26		3.34	V
$\Delta V_{RECHARGE}$	Recharge Reference Threshold	Voltage Relative to $V_{FB(FLT)}$ (Note 6)		82.5		mV
$V_{FB(PRE)}$	Reference Precondition Threshold	V_{FB} Rising (Note 6)		2.3		V
$V_{FB(PREHYST)}$	Reference Precondition Threshold Hysteresis	Voltage Relative to $V_{FB(PRE)}$ (Note 6)		70		mV
$V_{IN_REG(TH)}$	Input Regulation Reference	$V_{FB} = 3\text{V}$; $V_{SENSE} - V_{BAT} = 50\text{mV}$	● 2.65	2.7	2.75	V
I_{IN_REG}	Input Regulation Reference Bias Current	$V_{IN_REG} = V_{IN_REG(TH)}$	●	35	100	nA
I_{VIN}	Operating Input Supply Current	CC/CV Mode, $I_{SW} = 0$	●	2.5	3.5	mA
		Standby Mode		85		μA
		Shutdown (SHDN = 0)		15		μA
I_{BOOST}	BOOST Supply Current	Switch On, $I_{SW} = 0$, $2.5 < V_{(BOOST - SW)} < 8.5$		20		mA
$I_{BOOST/ISW}$	BOOST Switch Drive	$I_{SW} = 2\text{A}$		30		mA/A
$V_{SW(ON)}$	Switch-On Voltage Drop	$V_{IN} - V_{SW}$, $I_{SW} = 2\text{A}$		350		mV
$I_{SW(MAX)}$	Switch Current Limit		● 2.5	3		A
$V_{SENSE(PRE)}$	Precondition Sense Voltage	$V_{SENSE} - V_{BAT}$; $V_{FB} = 2\text{V}$		15		mV
$V_{SENSE(DC)}$	Maximum Sense Voltage	$V_{SENSE} - V_{BAT}$; $V_{FB} = 3\text{V}$ (Note 7)	● 95	100	105	mV
$V_{SENSE(C/10)}$	C/10 Trigger Sense Voltage	$V_{SENSE} - V_{BAT}$, Falling	● 7.5	10	12.5	mV
I_{BAT}	BAT Input Bias Current	Charging Terminated		0.1	1	μA
I_{SENSE}	SENSE Input Bias Current	Charging Terminated		0.1	1	μA
$I_{REVERSE}$	Charger Reverse Current $I_{BAT} + I_{SENSE} + I_{SW}$	$V_{IN} = 0$; $V_{BAT} = V_{SENSE} = V_{SW} = 4.2\text{V}$		1		μA
I_{VFB}	V_{FB} Input Bias Current	Charging Terminated		65		nA
I_{VFB}	V_{FB} Input Bias Current	CV Operation (Note 5)		110		nA
$V_{NTC(H)}$	NTC Range Limit (High)	V_{NTC} Rising	● 1.25	1.36	1.45	V
$V_{NTC(L)}$	NTC Range Limit (Low)	V_{NTC} Falling	● 0.27	0.29	0.315	V
$V_{NTC(HYST)}$	NTC Threshold Hysteresis	% of threshold		20		%
$R_{NTC(DIS)}$	NTC Disable Impedance	Impedance to ground	● 250	500		k Ω
I_{NTC}	NTC Bias Current	$V_{NTC} = 0.8\text{V}$	● 47.5	50	52.5	μA
V_{SHDN}	Shutdown Threshold	Rising	● 1.15	1.2	1.25	V
$V_{SHDN(HYST)}$	Shutdown Hysteresis			120		mV
I_{SHDN}	SHDN Input Bias Current			-10		nA
V_{CHRG}, V_{FAULT}	Status Low Voltage	10mA Load	●		0.4	V
I_{TIMER}	Charge/Discharge Current			25		μA
$V_{TIMER(DIS)}$	Timer Disable Threshold		● 0.1	0.25		V

ELECTRICAL CHARACTERISTICS

The ● denotes the specifications which apply over the full operating temperature range, otherwise specifications are at $T_A = 25^\circ\text{C}$ (Note 2). $V_{IN} = 20\text{V}$, Boost – SW = 4V, SHDN = 2V, $V_{FB} = 3.3\text{V}$, $C_{TIMER} = 0.68\mu\text{F}$.

SYMBOL	PARAMETER	CONDITIONS	MIN	TYP	MAX	UNITS
t_{TIMER}	Full Charge Cycle Timeout			3		hr
	Precondition Timeout			22.5		min
	Timer Accuracy		●	-10	10	%
f_0	Operating Frequency			1		MHz
DC	Duty Cycle Range	Continuous Operation	●	15	90	%

Note 1: Stresses beyond those listed under Absolute Maximum Ratings may cause permanent damage to the device. Exposure to any Absolute Maximum Rating condition for extended periods may affect device reliability and lifetime.

Note 2: The LT3652EDD is guaranteed to meet performance specifications from 0°C to 125°C junction temperature. Specifications over the -40°C to 125°C operating junction temperature range are assured by design, characterization, and correlation with statistical process controls. The LT3652IDD specifications are guaranteed over the full -40°C to 125°C operating junction temperature range. Note that the maximum ambient temperature consistent with these specifications is determined by specific operating conditions in conjunction with board layout, the rated package thermal impedance and other environmental factors.

Note 3: V_{IN} minimum voltages below the start threshold are only supported if $(V_{BOOST} - V_{SW}) > 2\text{V}$.

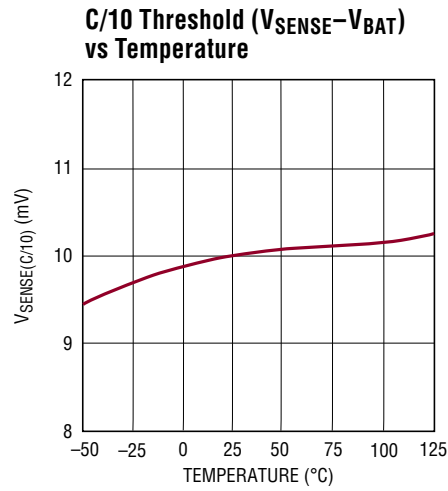
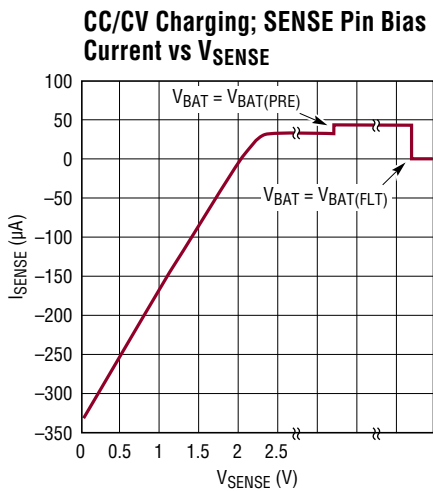
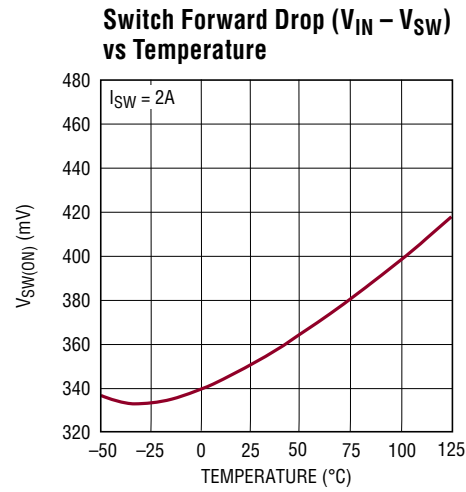
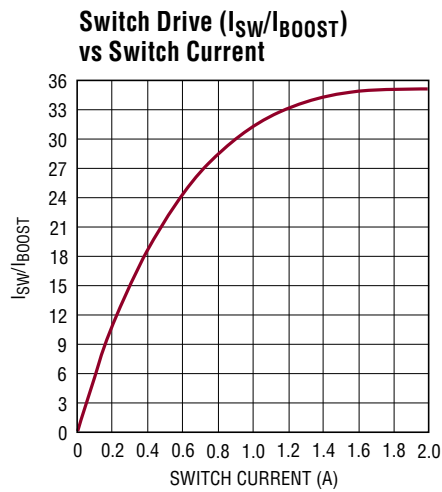
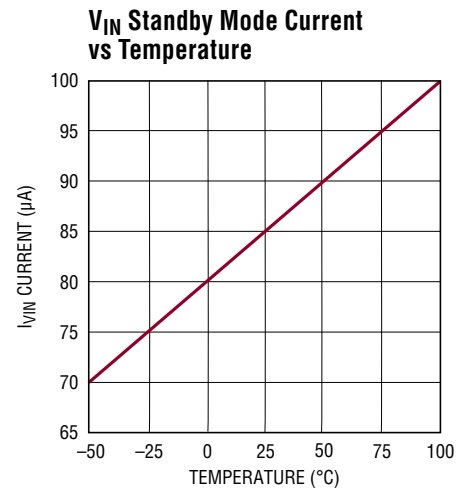
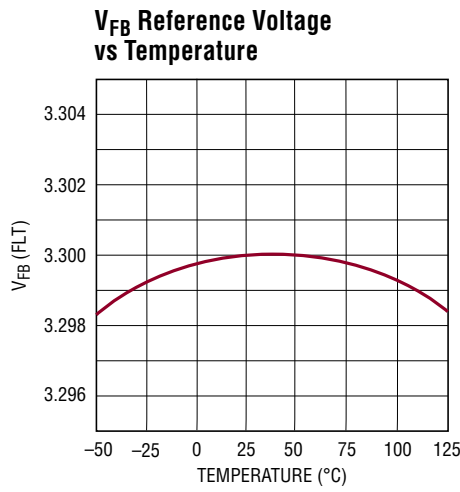
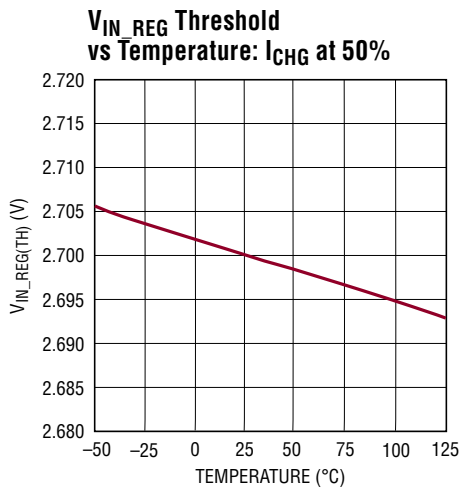
Note 4: This parameter is valid for programmed output battery float voltages $\leq 4.2\text{V}$. V_{IN} operating range minimum is 0.75V above the programmed output battery float voltage ($V_{BAT(FLT)} + 0.75\text{V}$). V_{IN} Start Voltage is 3.3V above the programmed output battery float voltage ($V_{BAT(FLT)} + 3.3\text{V}$).

Note 5: Output battery float voltage ($V_{BAT(FLT)}$) programming resistor divider equivalent resistance = 250k compensates for input bias current.

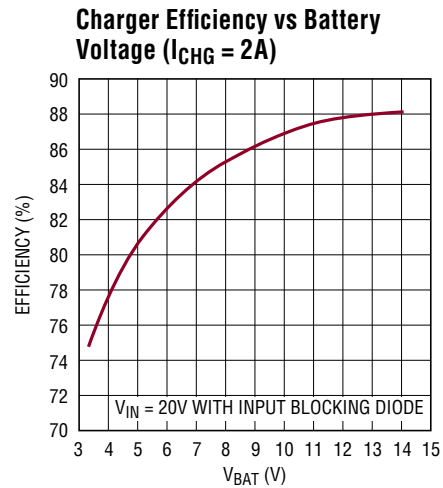
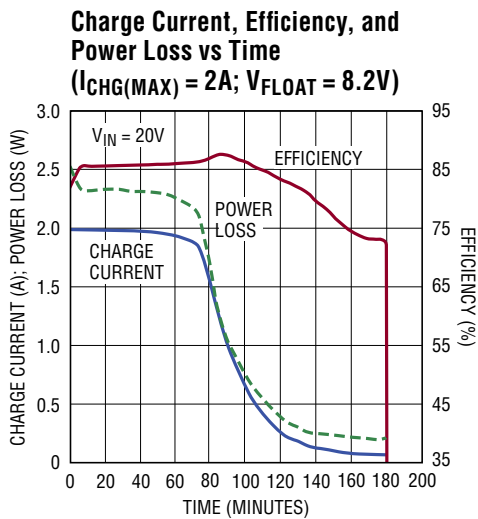
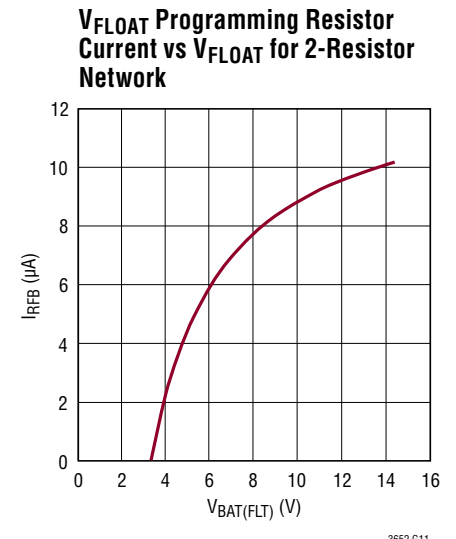
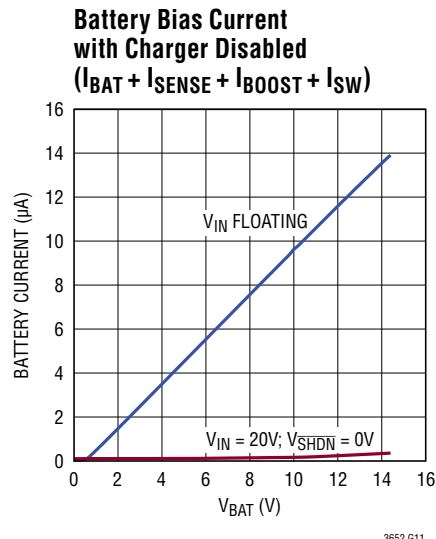
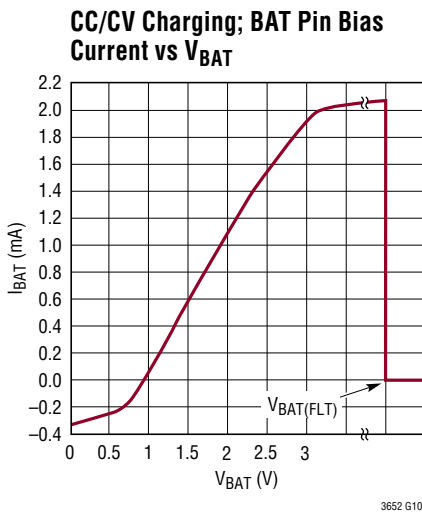
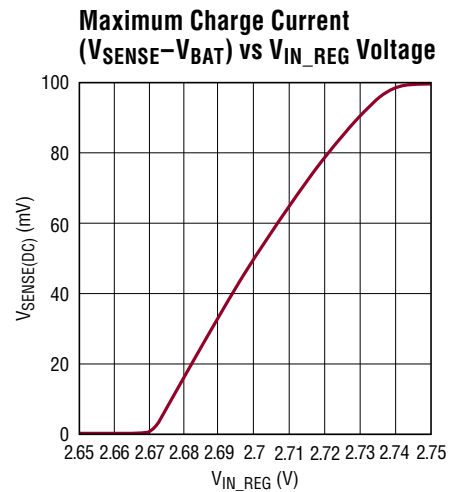
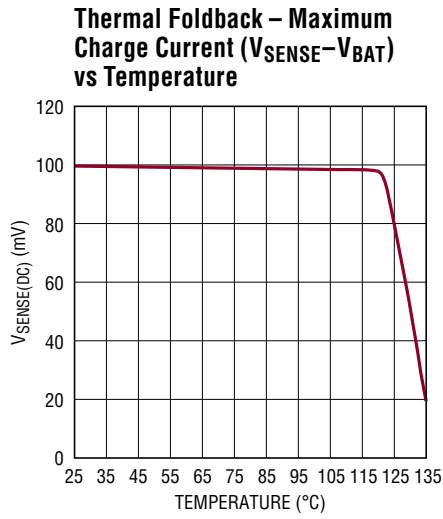
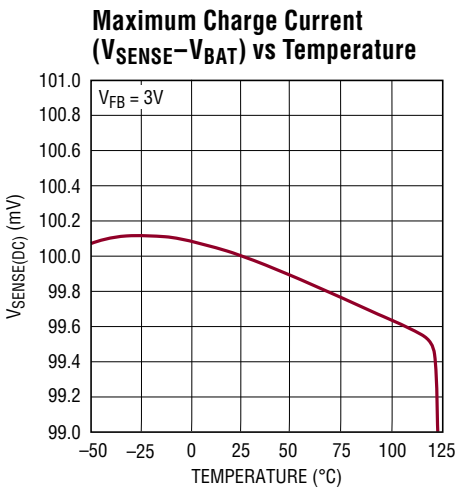
Note 6: All V_{FB} voltages measured through 250k series resistance.

Note 7: $V_{SENSE(DC)}$ is reduced by thermal foldback as junction temperature approaches 125°C .

TYPICAL PERFORMANCE CHARACTERISTICS $T_J = 25^\circ\text{C}$, unless otherwise noted.



TYPICAL PERFORMANCE CHARACTERISTICS $T_A = 25^\circ\text{C}$, unless otherwise noted.



PIN FUNCTIONS

V_{IN} (Pin 1): Charger Input Supply. V_{IN} operating range is 4.95V to 32V. V_{IN} must be 3.3V greater than the programmed output battery float voltage (V_{BAT(FLT)}) for reliable start-up. (V_{IN} - V_{BAT(FLT)}) ≥ 0.75V is the minimum operating voltage, provided (V_{BOOST} - V_{SW}) ≥ 2V. I_{VIN} ~ 85μA after charge termination.

V_{IN_REG} (Pin 2): Input Voltage Regulation Reference. Maximum charge current is reduced when this pin is below 2.7V. Connecting a resistor divider from V_{IN} to this pin enables programming of minimum operational V_{IN} voltage. This is typically used to program the peak power voltage for a solar panel. The LT3652 servos the maximum charge current required to maintain the programmed operational V_{IN} voltage, through maintaining the voltage on V_{IN_REG} at or above 2.7V. If the voltage regulation feature is not used, connect the pin to V_{IN}.

SHDN (Pin 3): Precision Threshold Shutdown Pin. The enable threshold is 1.2V (rising), with 120mV of input hysteresis. When in shutdown mode, all charging functions are disabled. The precision threshold allows use of the SHDN pin to incorporate UVLO functions. If the SHDN pin is pulled below 0.4V, the IC enters a low current shutdown mode where V_{IN} current is reduced to 15μA. Typical SHDN pin input bias current is 10nA. If the shutdown function is not desired, connect the pin to V_{IN}.

CHRG (Pin 4): Open-Collector Charger Status Output; typically pulled up through a resistor to a reference voltage. This status pin can be pulled up to voltages as high as V_{IN} when disabled, and can sink currents up to 10mA when enabled. During a battery charging cycle, if required charge current is greater than 1/10 of the programmed maximum current (C/10), CHRG is pulled low. A temperature fault also causes this pin to be pulled low. After C/10 charge termination or, if the internal timer is used for termination and charge current is less than C/10, the CHRG pin remains high-impedance.

FAULT (Pin 5): Open-Collector Charger Status Output; typically pulled up through a resistor to a reference voltage. This status pin can be pulled up to voltages as high as V_{IN} when disabled, and can sink currents up to 10mA when enabled. This pin indicates fault conditions during a battery charging cycle. A temperature fault causes this pin

to be pulled low. If the internal timer is used for termination, a bad battery fault also causes this pin to be pulled low. If no fault conditions exist, the FAULT pin remains high-impedance.

TIMER (Pin 6): End-Of-Cycle Timer Programming Pin. If a timer-based charge termination is desired, connect a capacitor from this pin to ground. Full charge end-of-cycle time (in hours) is programmed with this capacitor following the equation:

$$t_{EOC} = C_{TIMER} \cdot 4.4 \cdot 10^6$$

A bad battery fault is generated if the battery does not achieve the precondition threshold voltage within one-eighth of t_{EOC}, or:

$$t_{PRE} = C_{TIMER} \cdot 5.5 \cdot 10^5$$

A 0.68μF capacitor is typically used, which generates a timer EOC at three hours, and a precondition limit time of 22.5 minutes. If a timer-based termination is not desired, the timer function is disabled by connecting the TIMER pin to ground. With the timer function disabled, charging terminates when the charge current drops below a C/10 threshold, or I_{CHG(MAX)}/10

V_{FB} (Pin 7): Battery Float Voltage Feedback Reference. The charge function operates to achieve a final float voltage of 3.3V on this pin. Output battery float voltage (V_{BAT(FLT)}) is programmed using a resistor divider. V_{BAT(FLT)} can be programmed up to 14.4V.

The auto-restart feature initiates a new charging cycle when the voltage at the V_{FB} pin falls 2.5% below the float voltage reference.

The V_{FB} pin input bias current is 110nA. Using a resistor divider with an equivalent input resistance at the V_{FB} pin of 250k compensates for input bias current error.

Required resistor values to program desired V_{BAT(FLT)} follow the equations:

$$R1 = (V_{BAT(FLT)} \cdot 2.5 \cdot 10^5) / 3.3 \quad (\Omega)$$

$$R2 = (R1 \cdot 2.5 \cdot 10^5) / (R1 - (2.5 \cdot 10^5)) \quad (\Omega)$$

R1 is connected from BAT to V_{FB}, and R2 is connected from V_{FB} to ground.

PIN FUNCTIONS

NTC (Pin 8): Battery Temperature Monitor Pin. This pin is the input to the NTC (Negative Temperature Coefficient) thermistor temperature monitoring circuit. This function is enabled by connecting a 10k Ω , B = 3380 NTC thermistor from the NTC pin to ground. The pin sources 50 μ A, and monitors the voltage across the 10k Ω thermistor. When the voltage on this pin is above 1.36 (T < 0°C) or below 0.29V (T > 40°C), charging is disabled and the $\overline{\text{CHRG}}$ and $\overline{\text{FAULT}}$ pins are both pulled low. If internal timer termination is being used, the timer is paused, suspending the charging cycle. Charging resumes when the voltage on NTC returns to within the 0.29V to 1.36V active region. There is approximately 5°C of temperature hysteresis associated with each of the temperature thresholds. The temperature monitoring function remains enabled while the thermistor resistance to ground is less than 250k, so if this function is not desired, leave the NTC pin unconnected.

BAT (Pin 9): Charger Output Monitor Pin. Connect a 10 μ F decoupling capacitance (C_{BAT}) to ground. Depending on application requirements, larger value decoupling capacitors may be required. The charge function operates to achieve the programmed output battery float voltage ($V_{\text{BAT(FLT)}}$) at this pin. This pin is also the reference for the current sense voltage. Once a charge cycle is terminated, the input bias current of the BAT pin is reduced to < 0.1 μ A, to minimize battery discharge while the charger remains connected.

SENSE (Pin 10): Charge Current Sense Pin. Connect the inductor sense resistor (R_{SENSE}) from the SENSE pin to the BAT pin. The voltage across this resistor sets the average

charge current. The maximum charge current ($I_{\text{CHG(MAX)}}$) corresponds to 100mV across the sense resistor. This resistor can be set to program maximum charge current as high as 2A. The sense resistor value follows the relation:

$$R_{\text{SENSE}} = 0.1/I_{\text{CHG(MAX)}} (\Omega)$$

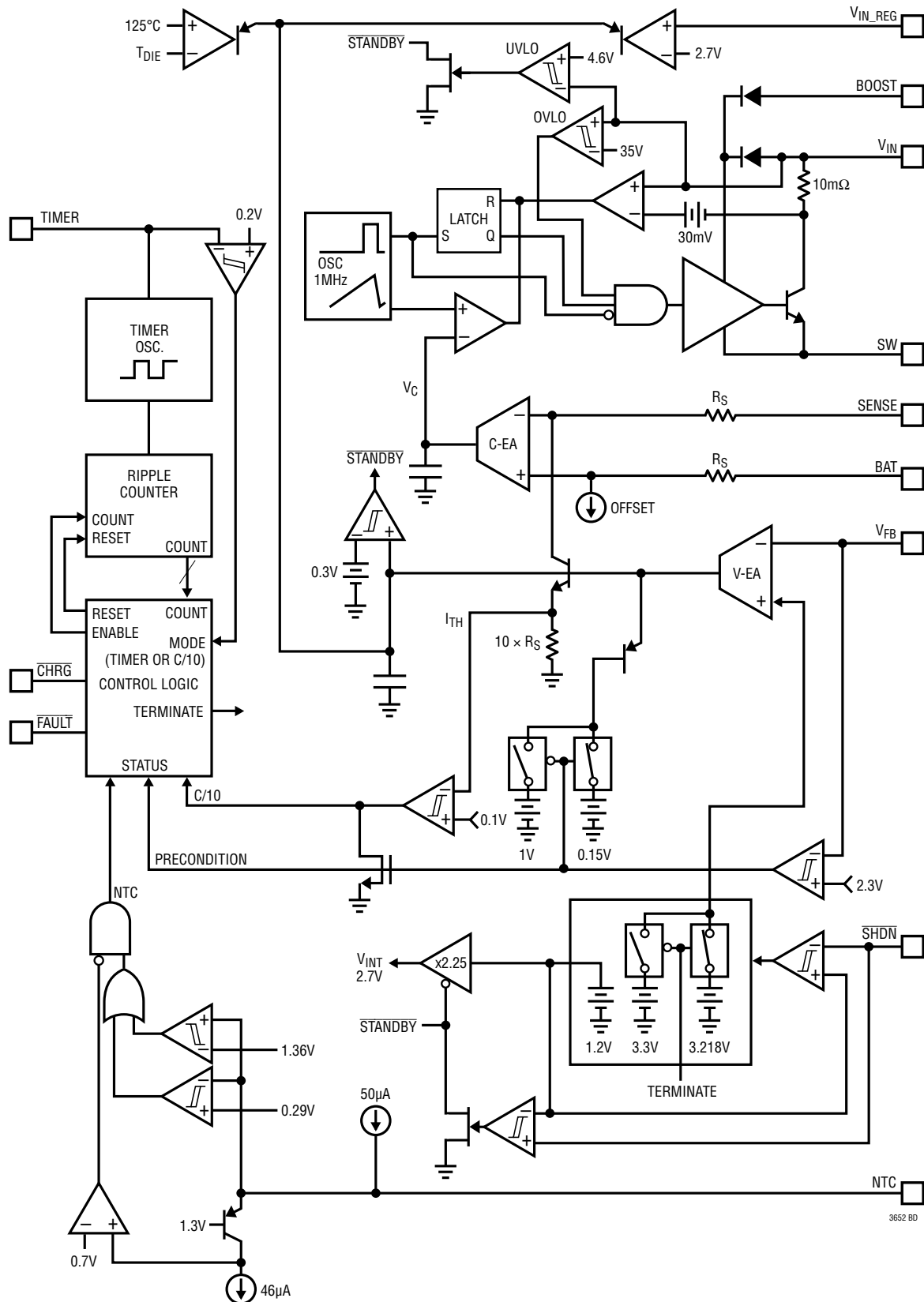
Once a charge cycle is terminated, the input bias current of the SENSE pin is reduced to < 0.1 μ A, to minimize battery discharge while the charger remains connected.

BOOST (Pin 11): Bootstrapped Supply Rail for Switch Drive. This pin facilitates saturation of the switch transistor. Connect a 1 μ F or greater capacitor from the BOOST pin to the SW pin. Operating range of this pin is 0V to 8.5V, referenced to the SW pin. The voltage on the decoupling capacitor is refreshed through a rectifying diode, with the anode connected to either the battery output voltage or an external source, and the cathode connected to the BOOST pin.

SW (Pin 12): Switch Output Pin. This pin is the output of the charger switch, and corresponds to the emitter of the switch transistor. When enabled, the switch shorts the SW pin to the V_{IN} supply. The drive circuitry for this switch is bootstrapped above the V_{IN} supply using the BOOST supply pin, allowing saturation of the switch for maximum efficiency. The effective on-resistance of the boosted switch is 0.175 Ω .

GND (Pin 13): Ground Reference and Backside Exposed Lead Frame Thermal Connection. Solder the exposed lead frame to the PCB ground plane.

BLOCK DIAGRAM



APPLICATIONS INFORMATION

Overview

LT3652 is a complete monolithic, mid-power, multi-chemistry buck battery charger, addressing high input voltage applications with solutions that require a minimum of external components. The IC uses a 1MHz constant frequency, average-current mode step-down architecture.

The LT3652 incorporates a 2A switch that is driven by a bootstrapped supply to maximize efficiency during charging cycles. Wide input range allows operation to full charge from voltages as high as 32V. A precision threshold shutdown pin allows incorporation of UVLO functionality using a simple resistor divider. The IC can also be put into a low-current shutdown mode, in which the input supply bias is reduced to only 15 μ A.

The LT3652 employs an input voltage regulation loop, which reduces charge current if a monitored input voltage falls below a programmed level. When the LT3652 is powered by a solar panel, the input regulation loop is used to maintain the panel at peak output power.

The LT3652 automatically enters a battery precondition mode if the sensed battery voltage is very low. In this mode, the charge current is reduced to 15% of the programmed maximum, as set by the inductor sense resistor, R_{SENSE} . Once the battery voltage reaches 70% of the fully charged float voltage, the IC automatically increases maximum charge current to the full programmed value.

The LT3652 can use a charge-current based C/10 termination scheme, which ends a charge cycle when the battery charge current falls to one tenth of the programmed maximum charge current. The LT3652 also contains an internal charge cycle control timer, for timer-based termination. When using the internal timer, the IC combines C/10 detection with a programmable time constraint, during which the charging cycle can continue beyond the C/10 level to top-off a battery. The charge cycle terminates when a specific time elapses, typically 3 hours. When the timer-based scheme is used, the IC also supports bad battery detection, which triggers a system fault if a battery stays in precondition mode for more than one eighth of the total charge cycle time.

Once charging is terminated, the LT3652 automatically enters a low-current standby mode where supply bias currents are reduced to 85 μ A. The IC continues to monitor the battery voltage while in standby, and if that voltage falls 2.5% from the full-charge float voltage, the LT3652 engages an automatic charge cycle restart. The IC also automatically restarts a new charge cycle after a bad battery fault once the failed battery is removed and replaced with another battery.

The LT3652 contains provisions for a battery temperature monitoring circuit. This feature monitors battery temperature using a thermistor during the charging cycle. If the battery temperature moves outside a safe charging range of 0°C to 40°C, the IC suspends charging and signals a fault condition until the temperature returns to the safe charging range.

The LT3652 contains two digital open-collector outputs, which provide charger status and signal fault conditions. These binary-coded pins signal battery charging, standby or shutdown modes, battery temperature faults, and bad battery faults.

General Operation (See Block Diagram)

The LT3652 uses average current mode control loop architecture, such that the IC servos directly to average charge current. The LT3652 senses charger output voltage through a resistor divider via the V_{FB} pin. The difference between the voltage on this pin and an internal 3.3V voltage reference is integrated by the voltage error amplifier (V-EA). This amplifier generates an error voltage on its output (I_{TH}), which corresponds to the average current sensed across the inductor current sense resistor, R_{SENSE} , which is connected between the SENSE and BAT pins. The I_{TH} voltage is then divided down by a factor of 10, and imposed on the input of the current error amplifier (C-EA). The difference between this imposed voltage and the current sense resistor voltage is integrated, with the resulting voltage (V_C) used as a threshold that is compared against an internally generated ramp. The output of this comparison controls the charger's switch.

APPLICATIONS INFORMATION

The I_{TH} error voltage corresponds linearly to average current sensed across the inductor current sense resistor, allowing maximum charge current control by limiting the effective voltage range of I_{TH} . A clamp limits this voltage to 1V which, in turn, limits the current sense voltage to 100mV. This sets the maximum charge current, or the current delivered while the charger is operating in constant-current (CC) mode, which corresponds to 100mV across R_{SENSE} . The I_{TH} voltage is pulled down to reduce this maximum charge current should the voltage on the V_{IN_REG} pin falls below 2.7V ($V_{IN_REG(TH)}$) or the die temperature approaches 125°C.

If the voltage on the V_{FB} pin is below 2.3V ($V_{FB(PRE)}$), the LT3652 engages precondition mode. During the precondition interval, the charger continues to operate in constant-current mode, but the maximum charge current is reduced to 15% of the maximum programmed value as set by R_{SENSE} .

When the charger output voltage approaches the float voltage, or the voltage on the V_{FB} pin approaches 3.3V ($V_{FB(FLT)}$), the charger transitions into constant-voltage (CV) mode and charge current is reduced from the maximum value. As this occurs, the I_{TH} voltage falls from the limit clamp and servos to lower voltages. The IC monitors the I_{TH} voltage as it is reduced, and detection of C/10 charge current is achieved when $I_{TH} = 0.1V$. If the charger is configured for C/10 termination, this threshold is used to terminate the charge cycle. Once the charge cycle is terminated, the \overline{CHRG} status pin becomes high-impedance and the charger enters low-current standby mode.

The LT3652 contains an internal charge cycle timer that terminates a successful charge cycle after a programmed amount of time. This timer is typically programmed to achieve end-of-cycle (EOC) in 3 hours, but can be configured for any amount of time by setting an appropriate timing capacitor value (C_{TIMER}). When timer termination is used, the charge cycle does not terminate when C/10 is achieved. Because the \overline{CHRG} status pin responds to

the C/10 current level, the IC will indicate a fully-charged battery status, but the charger continues to source low currents into the battery until the programmed EOC time has elapsed, at which time the charge cycle will terminate. At EOC when the charging cycle terminates, if the battery did not achieve at least 97.5% of the full float voltage, charging is deemed unsuccessful, the LT3652 re-initiates, and charging continues for another full timer cycle.

Use of the timer function also enables bad-battery detection. This fault condition is achieved if the battery does not respond to preconditioning, such that the charger remains in (or enters) precondition mode after 1/8th of the programmed charge cycle time. A bad battery fault halts the charging cycle, the \overline{CHRG} status pin goes high-impedance, and the \overline{FAULT} pin is pulled low.

When the LT3652 terminates a charging cycle, whether through C/10 detection or by reaching timer EOC, the average current mode analog loop remains active, but the internal float voltage reference is reduced by 2.5%. Because the voltage on a successfully charged battery is at the full float voltage, the voltage error amp detects an over-voltage condition and I_{TH} is pulled low. When the voltage error amp output drops below 0.3V, the IC enters standby mode, where most of the internal circuitry is disabled, and the V_{IN} bias current is reduced to 85 μ A. When the voltage on the V_{FB} pin drops below the reduced float reference level, the output of the voltage error amp will climb, at which point the IC comes out of standby mode and a new charging cycle is initiated.

V_{IN} Input Supply

The LT3652 is biased directly from the charger input supply through the V_{IN} pin. This supply provides large switched currents, so a high-quality, low ESR decoupling capacitor is recommended to minimize voltage glitches on V_{IN} . The V_{IN} decoupling capacitor (C_{VIN}) absorbs all input switching

APPLICATIONS INFORMATION

ripple current in the charger, so it must have an adequate ripple current rating. RMS ripple current ($I_{CVIN(RMS)}$) is:

$$I_{CVIN(RMS)} \cong I_{CHG(MAX)} \cdot (V_{BAT}/V_{IN}) \cdot ([V_{IN}/V_{BAT}] - 1)^{1/2},$$

where $I_{CHG(MAX)}$ is the maximum average charge current ($100mV/R_{SENSE}$). The above relation has a maximum at $V_{IN} = 2 \cdot V_{BAT}$, where:

$$I_{CVIN(RMS)} = I_{CHG(MAX)}/2$$

The simple worst-case of $\frac{1}{2} \cdot I_{CHG(MAX)}$ is commonly used for design.

Bulk capacitance is a function of desired input ripple voltage (ΔV_{IN}), and follows the relation:

$$C_{IN(BULK)} = I_{CHG(MAX)} \cdot (V_{BAT}/V_{IN})/\Delta V_{IN} (\mu F)$$

Input ripple voltages above 0.1V are not recommended. 10 μ F is typically adequate for most charger applications.

Charge Current Programming

The LT3652 charger is configurable to charge at average currents as high as 2A. Maximum charge current is set by choosing an inductor sense resistor (R_{SENSE}) such that the desired maximum average current through that sense resistor creates a 100mV drop, or:

$$R_{SENSE} = 0.1/I_{CHG(MAX)}$$

where $I_{CHG(MAX)}$ is the maximum average charge current. A 2A charger, for example, would use a 0.05 Ω sense resistor.

BOOST Supply

The BOOST bootstrapped supply rail drives the internal switch and facilitates saturation of the switch transistor. Operating range of the BOOST pin is 0V to 8.5V, as refer-

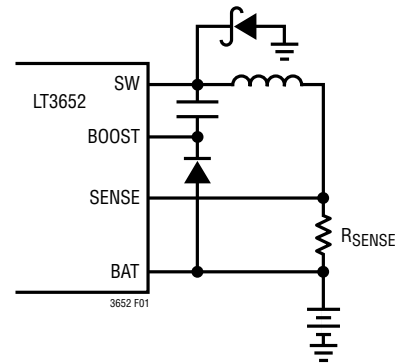


Figure 1. Programming Maximum Charge Current Using R_{SENSE}

enced to the SW pin. Connect a 1 μ F or greater capacitor from the BOOST pin to the SW pin.

The voltage on the decoupling capacitor is refreshed through a diode, with the anode connected to either the battery output voltage or an external source, and the cathode connected to the BOOST pin. Rate the diode average current greater than 0.1A, and reverse voltage greater than $V_{IN(MAX)}$.

To refresh the decoupling capacitor with a rectifying diode from the battery with battery float voltages higher than 8.4V, a >100mA Zener diode can be put in series with the rectifying diode to prevent exceeding the BOOST pin operating voltage range.

APPLICATIONS INFORMATION

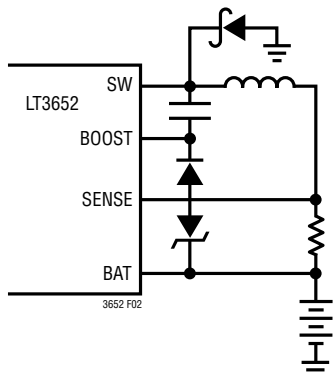


Figure 2. Zener Diode Reduces Refresh Voltage for BOOST Pin

V_{IN}/BOOST Start-Up Requirement

The LT3652 operates with a V_{IN} range of 4.95V to 32V, however, a start-up voltage requirement exists due to the nature of the non-synchronous step-down switcher topology used for the charger. If there is no BOOST supply available, the internal switch requires (V_{IN} - V_{SW}) ≥ 3.3V to reliably operate. This requirement does not exist if the BOOST supply is available and (V_{BOOST} - V_{SW}) > 2V.

When an LT3652 charger is not switching, the SW pin is at the same potential as the battery, which can be as high as V_{BAT(FLT)}. As such, for reliable start-up, the V_{IN} supply must be at least 3.3V above V_{BAT(FLT)}. Once switching begins and the BOOST supply capacitor gets charged such that (V_{BOOST} - V_{SW}) > 2V, the V_{IN} requirement no longer applies.

In low V_{IN} applications, the BOOST supply can be powered by an external source for start-up, eliminating the V_{IN} start-up requirement.

V_{BAT} Output Decoupling

An LT3652 charger output requires bypass capacitance connected from the BAT pin to ground (C_{BAT}). A 10μF ceramic capacitor is required for all applications. In systems where the battery can be disconnected from the charger

output, additional bypass capacitance may be desired for visual indication for a no-battery condition (see the Status Pins section).

If it is desired to operate a system load from the LT3652 charger output when the battery is disconnected, additional bypass capacitance is required. In this type of application, excessive ripple and/or low amplitude oscillations can occur without additional output bulk capacitance. For these applications, place a 100μF low ESR non-ceramic capacitor (chip tantalum or organic semiconductor capacitors such as Sanyo OS-CONs or POSCAPs) from BAT to ground, in parallel with the 10μF ceramic bypass capacitor. This additional bypass capacitance may also be required in systems where the battery is connected to the charger with long wires. The voltage rating of C_{BAT} must meet or exceed the battery float voltage.

Inductor Selection

The primary criterion for inductor value selection in an LT3652 charger is the ripple current created in that inductor. Once the inductance value is determined, an inductor must also have a saturation current equal to or exceeding the maximum peak current in the inductor. An inductor value (L), given the desired amount of peak-to-peak inductor ripple current (ΔI_L) can be approximated using the relation:

$$L = \frac{10 \cdot R_{SENSE}}{\Delta I_L} \cdot V_{BAT(FLT)} \cdot \left[1 - \frac{V_{BAT(FLT)}}{V_{IN(MAX)}} \right] (\mu H)$$

$$I_{CHG(MAX)}$$

In the above relation, V_{IN(MAX)} is the maximum operational voltage. Ripple current is typically set within a range of 25% to 35% of I_{CHG(MAX)}, so an inductor value can be determined by setting 0.25 < ΔI_L/I_{CHG(MAX)} < 0.35.

APPLICATIONS INFORMATION

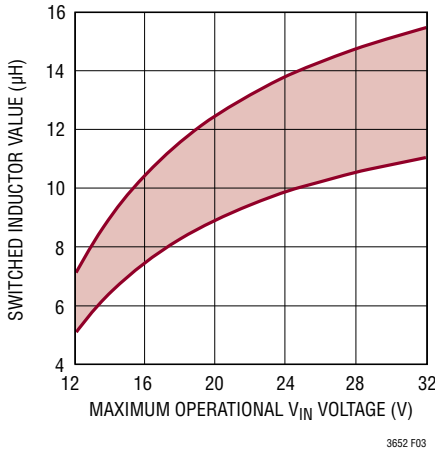


Figure 3. 7.2V at 1.5A Switched Inductor Values

Magnetics vendors typically specify inductors with maximum RMS and saturation current ratings. Select an inductor that has a saturation current rating at or above $(1 + \Delta I_{MAX}/2) \cdot I_{CHG(MAX)}$, and an RMS rating above $I_{CHG(MAX)}$. Inductors must also meet a maximum volt-second product requirement. If this specification is not in the data sheet of an inductor, consult the vendor to make sure the maximum volt-second product is not being exceeded by your design. The minimum required volt-second product is:

$$V_{BAT(FLT)} \cdot \left(\frac{1 - V_{BAT(FLT)}}{V_{IN(MAX)}} \right) (V \cdot \mu\text{S})$$

Rectifier Selection

The rectifier diode from SW to GND, in a LT3652 battery charger provides a current path for the inductor current when the main power switch is disabled. The rectifier is selected based upon forward voltage, reverse voltage, and maximum current. A Schottky diode is required, as low

forward voltage yields the lowest power loss and highest efficiency. The rectifier diode must be rated to withstand reverse voltages greater than the maximum V_{IN} voltage.

The minimum average diode current rating ($I_{DIODE(MAX)}$) is calculated with maximum output current ($I_{CHG(MAX)}$), maximum operational V_{IN} , and output at the precondition threshold ($V_{BAT(PRE)}$, or $0.7 \cdot V_{BAT(FLT)}$):

$$I_{DIODE(MAX)} > I_{CHG(MAX)} \cdot \frac{V_{IN(MAX)} - V_{BAT(PRE)}}{V_{IN(MAX)}} (A)$$

For example, a rectifier diode for a 7.2V, 2A charger with a 25V maximum input voltage would require:

$$I_{DIODE(MAX)} > 2A \cdot \frac{25V - 0.7(7.2V)}{25V}, \text{ or}$$

$$I_{DIODE(MAX)} > 1.6A$$

Battery Float Voltage Programming

The output battery float voltage ($V_{BAT(FLT)}$) is programmed by connecting a resistor divider from the BAT pin to V_{FB} . $V_{BAT(FLT)}$ can be programmed up to 14.4V.

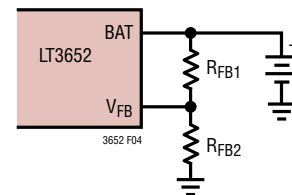


Figure 4. Feedback Resistors from BAT to V_{FB} Program Float Voltage

APPLICATIONS INFORMATION

Using a resistor divider with an equivalent input resistance at the V_{FB} pin of 250k compensates for input bias current error. Required resistor values to program desired $V_{BAT(FLT)}$ follow the equations:

$$R_{FB1} = (V_{BAT(FLT)} \cdot 2.5 \cdot 10^5) / 3.3 \quad (\Omega)$$

$$R_{FB2} = (R_{FB1} \cdot (2.5 \cdot 10^5)) / (R_{FB1} - (2.5 \cdot 10^5)) \quad (\Omega)$$

The charge function operates to achieve the final float voltage of 3.3V on the V_{FB} pin. The auto-restart feature initiates a new charging cycle when the voltage at the V_{FB} pin falls 2.5% below that float voltage.

Because the battery voltage is across the $V_{BAT(FLT)}$ programming resistor divider, this divider will draw a small amount of current from the battery (I_{RFB}) at a rate of:

$$I_{RFB} = 3.3 / R_{FB2}$$

Precision resistors in high values may be hard to obtain, so for some lower $V_{BAT(FLT)}$ applications, it may be desirable to use smaller-value feedback resistors with an additional resistor (R_{FB3}) to achieve the required 250k equivalent resistance. The resulting 3-resistor network, as shown in Figure 5, can ease component selection and/or increase output voltage precision, at the expense of additional current through the feedback divider.

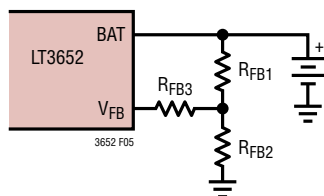


Figure 5. A Three-Resistor Feedback Network Can Ease Component Selection

For a three-resistor network, R_{FB1} and R_{FB2} follow the relation:

$$R_{FB2} / R_{FB1} = 3.3 / (V_{BAT(FLT)} - 3.3)$$

Example:

For $V_{BAT(FLT)} = 3.6V$:

$$R_{FB2} / R_{FB1} = 3.3 / (3.6 - 3.3) = 11.$$

Setting divider current (I_{RFB}) = 10 μ A yields:

$$R_{FB2} = 3.3 / 10\mu A$$

$$R_{FB2} = 330k$$

Solving for R_{FB1} :

$$R_{FB1} = 330k / 11$$

$$R_{FB1} = 30k$$

The divider equivalent resistance is:

$$R_{FB1} || R_{FB2} = 27.5k$$

To satisfy the 250k equivalent resistance to the V_{FB} pin:

$$R_{FB3} = 250k - 27.5k$$

$$R_{FB3} = 223k.$$

Because the V_{FB} pin is a relatively high impedance node, stray capacitances at this pin must be minimized. Special attention should be given to any stray capacitances that can couple external signals onto the pin, which can produce undesirable output transients or ripple. Effects of parasitic capacitance can typically be reduced by adding a small-value (20pF to 50pF) feedforward capacitor from the BAT pin to the V_{FB} pin.

Extra care should be taken during board assembly. Small amounts of board contamination can lead to significant shifts in output voltage. Appropriate post-assembly board

APPLICATIONS INFORMATION

cleaning measures should be implemented to prevent board contamination, and low-leakage solder flux is recommended.

Input Supply Voltage Regulation

The LT3652 contains a voltage monitor pin that enables programming a minimum operational voltage. Connecting a resistor divider from V_{IN} to the V_{IN_REG} pin enables programming of minimum input supply voltage, typically used to program the peak power voltage for a solar panel. Maximum charge current is reduced when the V_{IN_REG} pin is below the regulation threshold of 2.7V.

If an input supply cannot provide enough power to satisfy the requirements of an LT3652 charger, the supply voltage will collapse. A minimum operating supply voltage can thus be programmed by monitoring the supply through a resistor divider, such that the desired minimum voltage corresponds to 2.7V at the V_{IN_REG} pin. The LT3652 servos the maximum output charge current to maintain the voltage on V_{IN_REG} at or above 2.7V.

Programming of the desired minimum voltage is accomplished by connecting a resistor divider as shown in Figure 6. The ratio of R_{IN1}/R_{IN2} for a desired minimum voltage ($V_{IN(MIN)}$) is:

$$R_{IN1}/R_{IN2} = (V_{IN(MIN)}/2.7) - 1$$

If the voltage regulation feature is not used, connect the V_{IN_REG} pin to V_{IN} .

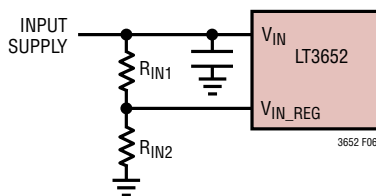


Figure 6. Resistor Divider Sets Minimum V_{IN}

MPPT Temperature Compensation

A typical solar panel is comprised of a number of series-connected cells, each cell being a forward-biased p-n junction. As such, the open-circuit voltage (V_{OC}) of a solar cell has a temperature coefficient that is similar to a common p-n diode, or about $-2mV/^\circ C$. The peak power point voltage (V_{MP}) for a crystalline solar panel can be approximated as a fixed voltage below V_{OC} , so the temperature coefficient for the peak power point is similar to that of V_{OC} .

Panel manufacturers typically specify the $25^\circ C$ values for V_{OC} , V_{MP} , and the temperature coefficient for V_{OC} , making determination of the temperature coefficient for V_{MP} of a typical panel straight forward.

The LT3652 employs a feedback network to program the V_{IN} input regulation voltage. Manipulation of the network makes for efficient implementation of various temperature compensation schemes for a maximum peak power tracking (MPPT) application. As the temperature characteristic for a typical solar panel V_{MP} voltage is highly linear, a

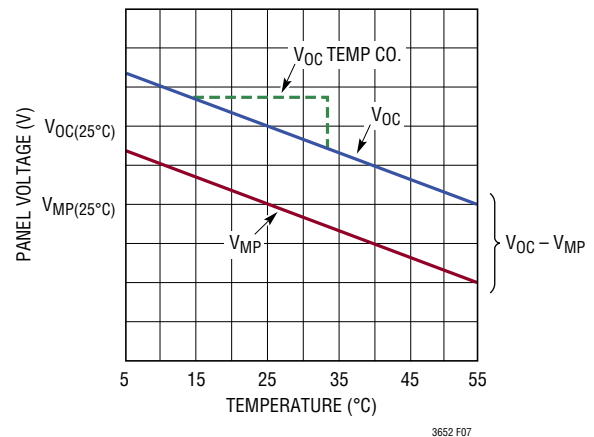


Figure 7. Temperature Characteristics for Solar Panel Output Voltage

APPLICATIONS INFORMATION

simple solution for tracking that characteristic can be implemented using an LM234 3-terminal temperature sensor. This creates an easily programmable, linear temperature dependent characteristic.

In the circuit shown in figure 8,

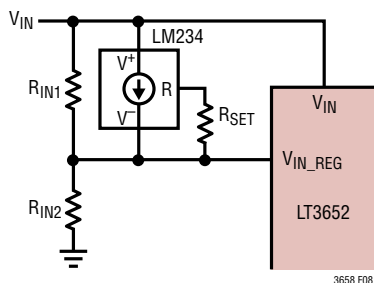


Figure 8. MPPT Temperature Compensation Network

$R_{IN1} = -R_{SET} \cdot (TC \cdot 4405)$, and

$R_{IN2} = R_{IN1} / (\{ [V_{MP(25^\circ C)} + R_{IN1} \cdot (0.0674/R_{SET})] / V_{IN_REG} \} - 1)$

Where: TC = temperature coefficient (in V/°C), and
 $V_{MP(25^\circ C)}$ = maximum power voltage at 25°C

For example, given a common 36-cell solar panel that has the following specified characteristics:

Open Circuit Voltage (V_{OC}) = 21.7V

Maximum Power Voltage (V_{MP}) = 17.6V

Open-Circuit Voltage Temperature Coefficient (V_{OC}) = -78mV/°C

As the temperature coefficient for V_{MP} is similar to that of V_{OC} , the specified temperature coefficient for V_{OC} (TC) of -78mV/°C and the specified peak power voltage ($V_{MP(25^\circ C)}$) of 17.6V can be inserted into the equations to calculate the appropriate resistor values for the temperature compensation network in Figure 8. With R_{SET} equal to 1000Ω, then:

$$R_{SET} = 1k$$

$$R_{IN1} = -1k \cdot (-0.078 \cdot 4405) = 344k$$

$$R_{IN2} = 344k / (\{ [17.6 + 344k \cdot (0.0674/1k)] / 2.7 \} - 1) = 24.4k$$

Battery Voltage Temperature Compensation

Some battery chemistries have charge voltage requirements that vary with temperature. Lead-acid batteries in particular experience a significant change in charge voltage requirements as temperature changes. For example, manufacturers of large lead-acid batteries recommend a float charge of 2.25V/cell at 25°C. This battery float voltage, however, has a temperature coefficient which is typically specified at -3.3mV/°C per cell.

In a manner similar to the MPPT temperature correction outlined previously, implementation of linear battery charge voltage temperature compensation can be accomplished by incorporating an LM234 into the output feedback network.

For example, a 6-cell lead acid battery has a float charge voltage that is commonly specified at 2.25V/cell at 25°C, or 13.5V, and a -3.3mV/°C per cell temperature coefficient,

APPLICATIONS INFORMATION

or $-19.8\text{mV}/^\circ\text{C}$. Using the feedback network shown in Figure 9, with the desired temperature coefficient (TC) and 25°C float voltage ($V_{\text{FLOAT}(25^\circ\text{C})}$) specified, and using a convenient value of 2.4k for R_{SET} , necessary resistor values follow the relations:

$$R_{\text{FB1}} = -R_{\text{SET}} \cdot (\text{TC} \cdot 4405)$$

$$= -2.4\text{k} \cdot (-0.0198 \cdot 4405) = \mathbf{210\text{k}}$$

$$R_{\text{FB2}} = R_{\text{FB1}} / (\{[V_{\text{FLOAT}(25^\circ\text{C})} + R_{\text{FB1}} \cdot (0.0674 / R_{\text{SET}})] / V_{\text{FB}}\} - 1)$$

$$= 210\text{k} / (\{[13.5 + 210\text{k} \cdot (0.0674 / 2.4\text{k})] / 3.3\} - 1) = \mathbf{43\text{k}}$$

$$R_{\text{FB3}} = 250\text{k} - R_{\text{FB1}} || R_{\text{FB2}}$$

$$= 250\text{k} - 210\text{k} || 43\text{k} = \mathbf{215\text{k}}$$
 (see the Battery Float Voltage Programming section)

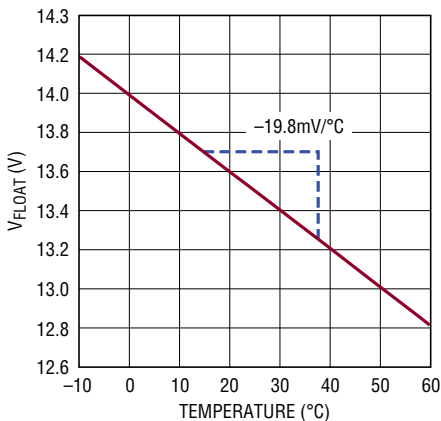
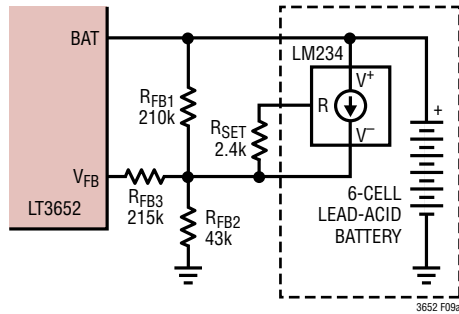


Figure 9. Lead-Acid 6-Cell Float Charge Voltage vs Temperature Has $-19.8\text{mV}/^\circ\text{C}$ Characteristic Using LM234 with Feedback Network

While the circuit in Figure 9 creates a linear temperature characteristic that follows a typical $-3.3\text{mV}/^\circ\text{C}$ per cell lead-acid specification, the theoretical float charge voltage characteristic is slightly nonlinear. This nonlinear characteristic follows the relation $V_{\text{FLOAT}(1\text{-CELL})} = 4 \times 10^{-5} (T^2) - 6 \times 10^{-3}(T) + 2.375$ (with a 2.18V minimum), where T = temperature in $^\circ\text{C}$. A thermistor-based network can be used to approximate the nonlinear ideal temperature characteristic across a reasonable operating range, as shown in Figure 10.

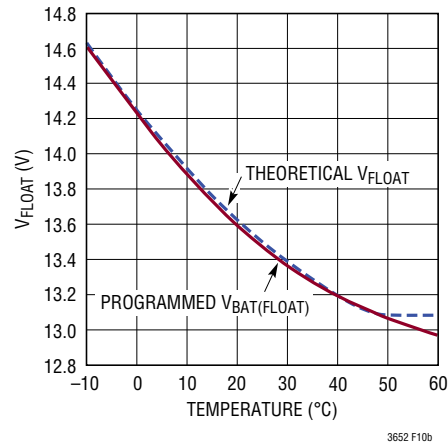
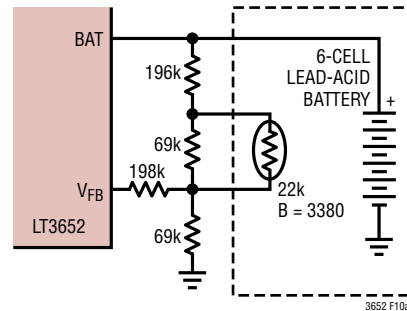


Figure 10. Thermistor-Based Temperature Compensation Network Programs V_{FLOAT} to Closely Match Ideal Lead-Acid Float Charge Voltage for 6-Cell Charger

APPLICATIONS INFORMATION

Status Pins

The LT3652 reports charger status through two open collector outputs, the $\overline{\text{CHRG}}$ and $\overline{\text{FAULT}}$ pins. These pins can accept voltages as high as V_{IN} , and can sink up to 10mA when enabled.

The $\overline{\text{CHRG}}$ pin indicates that the charger is delivering current at greater than a C/10 rate, or 1/10th of the programmed maximum charge current. The $\overline{\text{FAULT}}$ pin signals bad battery and NTC faults. These pins are binary coded, and signal following the table below, where *ON* indicates pin pulled low, and *OFF* indicates pin high-impedance:

STATUS PINS STATE		CHARGER STATUS
CHRG	FAULT	
OFF	OFF	Not Charging — Standby or Shutdown Mode
OFF	ON	Bad Battery Fault (Precondition Timeout/EOC Failure)
ON	OFF	Normal Charging at C/10 or Greater
ON	ON	NTC Fault (Pause)

If the battery is removed from an LT3652 charger that is configured for C/10 termination, a sawtooth waveform of approximately 100mV appears at the charger output, due to cycling between termination and recharge events. This cycling results in pulsing at the $\overline{\text{CHRG}}$ output. An LED connected to this pin will exhibit a blinking pattern, indicating to the user that a battery is not present. The frequency of this blinking pattern is dependent on the output capacitance.

C/10 Termination

The LT3652 supports a low-current based termination scheme, where a battery charge cycle terminates when the current output from the charger falls to below one-tenth of the maximum current, as programmed with R_{SENSE} . The C/10 threshold current corresponds to 10mV across R_{SENSE} . This termination mode is engaged by shorting the $\overline{\text{TIMER}}$ pin to ground.

When C/10 termination is used, a LT3652 charger will source battery charge current as long as the average current level remains above the C/10 threshold. As the full-charge float voltage is achieved, the charge current falls until the C/10 threshold is reached, at which time the charger terminates and the LT3652 enters standby mode. The $\overline{\text{CHRG}}$ status pin follows the charger cycle, and is high impedance when the charger is not actively charging.

When V_{BAT} drops below 97.5% of the full-charged float voltage, whether by battery loading or replacement of the battery, the charger automatically re-engages and starts charging.

There is no provision for bad battery detection if C/10 termination is used.

Timer Termination

The LT3652 supports a timer based termination scheme, in which a battery charge cycle is terminated after a specific amount of time elapses. Timer termination is engaged when a capacitor (C_{TIMER}) is connected from the $\overline{\text{TIMER}}$ pin to ground. The timer cycle EOC (T_{EOC}) occurs based on C_{TIMER} following the relation:

$$C_{\text{TIMER}} = T_{\text{EOC}} \cdot 2.27 \times 10^{-7} \quad (\text{Hours})$$

Timer EOC is typically set to 3 hours, which requires a 0.68μF capacitor.

The $\overline{\text{CHRG}}$ status pin continues to signal charging at a C/10 rate, regardless of what termination scheme is used. When timer termination is used, the $\overline{\text{CHRG}}$ status pin is pulled low during a charging cycle until the charger output current falls below the C/10 threshold. The charger continues to top-off the battery until timer EOC, when the LT3652 terminates the charging cycle and enters standby mode.

Termination at the end of the timer cycle only occurs if the charging cycle was successful. A successful charge cycle is when the battery is charged to within 2.5% of the

APPLICATIONS INFORMATION

full-charge float voltage. If a charge cycle is not successful at EOC, the timer cycle resets and charging continues for another full timer cycle.

When V_{BAT} drops below 97.5% of the full-charge float voltage, whether by battery loading or replacement of the battery, the charger automatically reengages and starts charging.

Preconditioning and Bad Battery Fault

A LT3652 has a precondition mode, where charge current is limited to 15% of the programmed $I_{CHG(MAX)}$, as set by R_{SENSE} . The precondition current corresponds to 15mV across R_{SENSE} .

Precondition mode is engaged while the voltage on the V_{FB} pin is below the precondition threshold (2.3V, or $0.7 \cdot V_{BAT(FLT)}$). Once the V_{FB} voltage rises above the precondition threshold, normal full-current charging can commence. The LT3652 incorporates 70mV of threshold hysteresis to prevent mode glitching.

When the internal timer is used for termination, bad battery detection is engaged. There is no provision for bad battery detection if C/10 termination is used. A bad battery fault is triggered when the voltage on V_{FB} remains below the precondition threshold for greater than 1/8 of a full timer cycle (1/8 EOC). A bad battery fault is also triggered if a normally charging battery re-enters precondition mode after 1/8 EOC.

When a bad battery fault is triggered, the charging cycle is suspended, so the \overline{CHRG} status pin becomes high-impedance. The \overline{FAULT} pin is pulled low to signal a fault detection.

Cycling the charger's power or \overline{SHDN} function initiates a new charging cycle, but a LT3652 charger does not require a reset. Once a bad battery fault is detected, a new timer charging cycle initiates when the V_{FB} pin exceeds the precondition threshold voltage. During a bad battery

fault, 0.5mA is sourced from the charger, so removing the failed battery allows the charger output voltage to rise and initiate a charge cycle reset. As such, removing a bad battery resets the LT3652, so a new charge cycle is started by connecting another battery to the charger output.

Battery Temperature Monitor and Fault

The LT3652 can accommodate battery temperature monitoring by using an NTC (negative temperature co-efficient) thermistor close to the battery pack. The temperature monitoring function is enabled by connecting a 10k Ω , B = 3380 NTC thermistor from the NTC pin to ground. If the NTC function is not desired, leave the pin unconnected.

The NTC pin sources 50 μ A, and monitors the voltage dropped across the 10k Ω thermistor. When the voltage on this pin is above 1.36V (0 $^{\circ}$ C) or below 0.29V (40 $^{\circ}$ C), the battery temperature is out of range, and the LT3652 triggers an NTC fault. The NTC fault condition remains until the voltage on the NTC pin corresponds to a temperature within the 0 $^{\circ}$ C to 40 $^{\circ}$ C range. Both hot and cold thresholds incorporate hysteresis that correspond to 5 $^{\circ}$ C.

If higher operational charging temperatures are desired, the temperature range can be expanded by adding series resistance to the 10k NTC resistor. Adding a 0.91k resistor will increase the effective hot temperature to 45 $^{\circ}$ C.

During an NTC fault, charging is halted and both status pins are pulled low. If timer termination is enabled, the timer count is suspended and held until the fault condition is relieved.

Thermal Foldback

The LT3652 contains a thermal foldback protection feature that reduces maximum charger output current if the IC junction temperature approaches 125 $^{\circ}$ C. In most cases, on-chip temperatures servo such that any excessive temperature conditions are relieved with only slight reductions in maximum charger current.

APPLICATIONS INFORMATION

In some cases, the thermal foldback protection feature can reduce charger currents below the C/10 threshold. In applications that use C/10 termination (TIMER=0V), the LT3652 will suspend charging and enter standby mode until the excessive temperature condition is relieved.

Layout Considerations

The LT3652 switch node has rise and fall times that are typically less than 10nS to maximize conversion efficiency. The switch node (Pin SW) trace should be kept as short as possible to minimize high frequency noise. The input capacitor (C_{IN}) should be placed close to the IC to minimize this switching noise. Short, wide traces on these nodes also help to avoid voltage stress from inductive ringing. The BOOST decoupling capacitor should also be in close proximity to the IC to minimize inductive ringing. The SENSE and BAT traces should be routed together, and these and the V_{FB} trace should be kept as short as possible. Shielding these signals from switching noise with a ground plane is recommended.

High current paths and transients should be kept isolated from battery ground, to assure an accurate output

voltage reference. Effective grounding can be achieved by considering switched current in the ground plane, and careful component placement and orientation can effectively steer these high currents such that the battery reference does not get corrupted. Figure 11 illustrates an effective grounding scheme using component placement to control ground currents. When the switch is enabled (loop #1), current flows from the input bypass capacitor (C_{IN}) through the switch and inductor to the battery positive terminal. When the switch is disabled (loop #2), the current to the battery positive terminal is provided from ground through the freewheeling Schottky diode (D_F). In both cases, these switch currents return to ground via the output bypass capacitor (C_{BAT}).

The LT3652 packaging has been designed to efficiently remove heat from the IC via the Exposed Pad on the backside of the package, which is soldered to a copper footprint on the PCB. This footprint should be made as large as possible to reduce the thermal resistance of the IC case to ambient air.

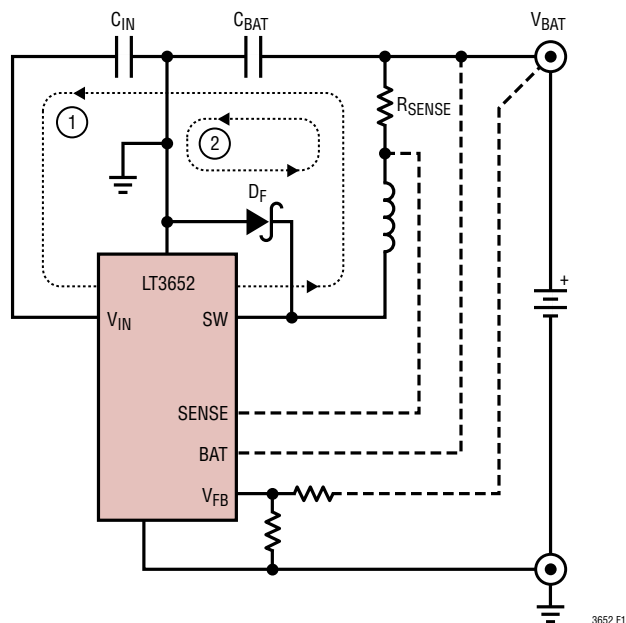
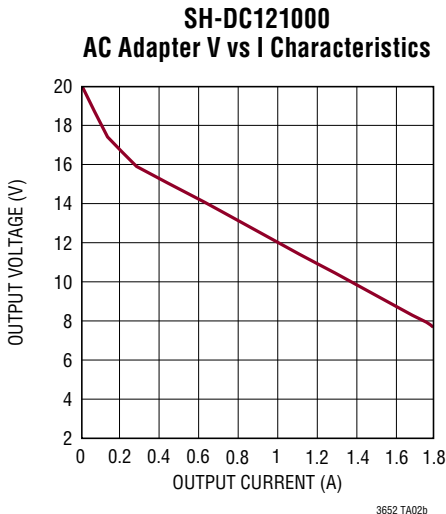
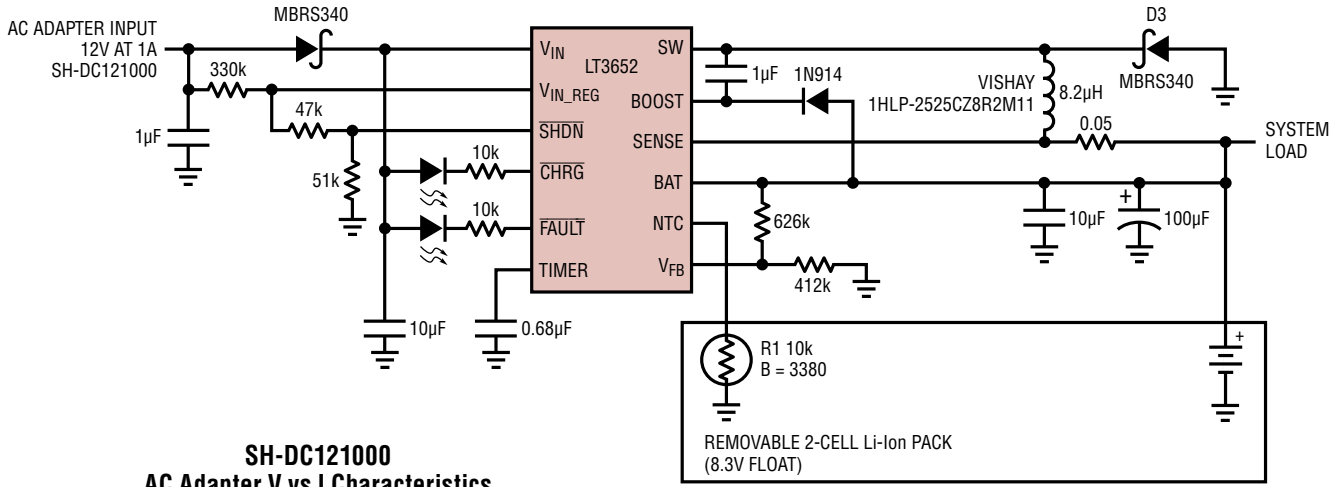


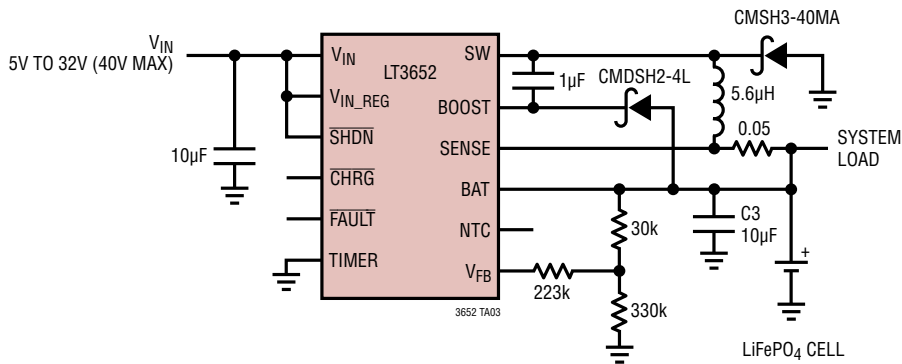
Figure 11. Component Orientation Isolates High Current Paths from Sensitive Nodes

TYPICAL APPLICATIONS

2-Cell Li-Ion Charger (8.3V at 2A) With 3 Hour Timer Termination Powered by Inexpensive 12V at 1A Unregulated Wall Adapter; V_{IN_REG} Loop Servos Maximum Charge Current to Prevent AC Adapter Output from Drooping Lower than 12V



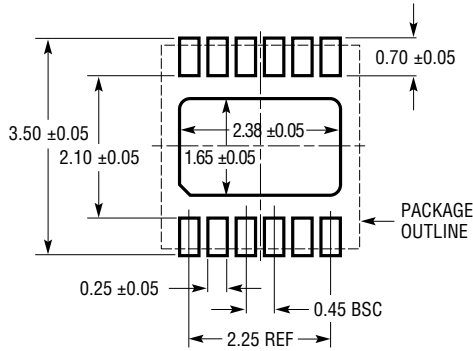
Basic 2A 1-Cell LiFePO₄ Charger (3.6V Float) With C/10 Termination



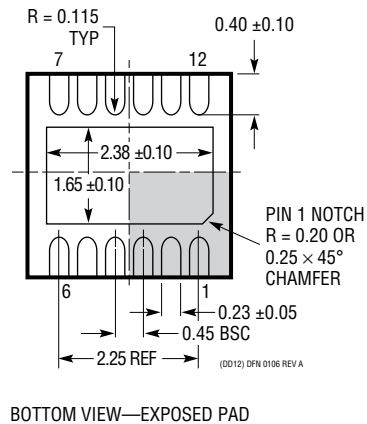
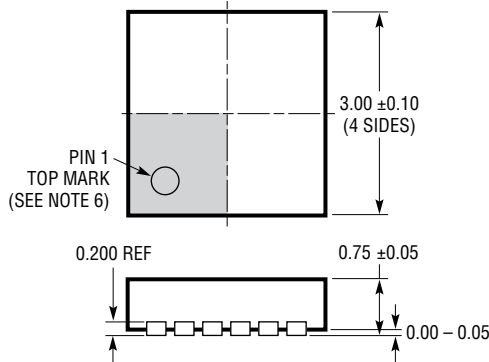
PACKAGE DESCRIPTION

Please refer to <http://www.linear.com/product/LT3652#packaging> for the most recent package drawings.

DD Package
12-Lead Plastic DFN (3mm × 3mm)
 (Reference LTC DWG # 05-08-1725 Rev A)



RECOMMENDED SOLDER PAD PITCH AND DIMENSIONS
 APPLY SOLDER MASK TO AREAS THAT ARE NOT SOLDERED

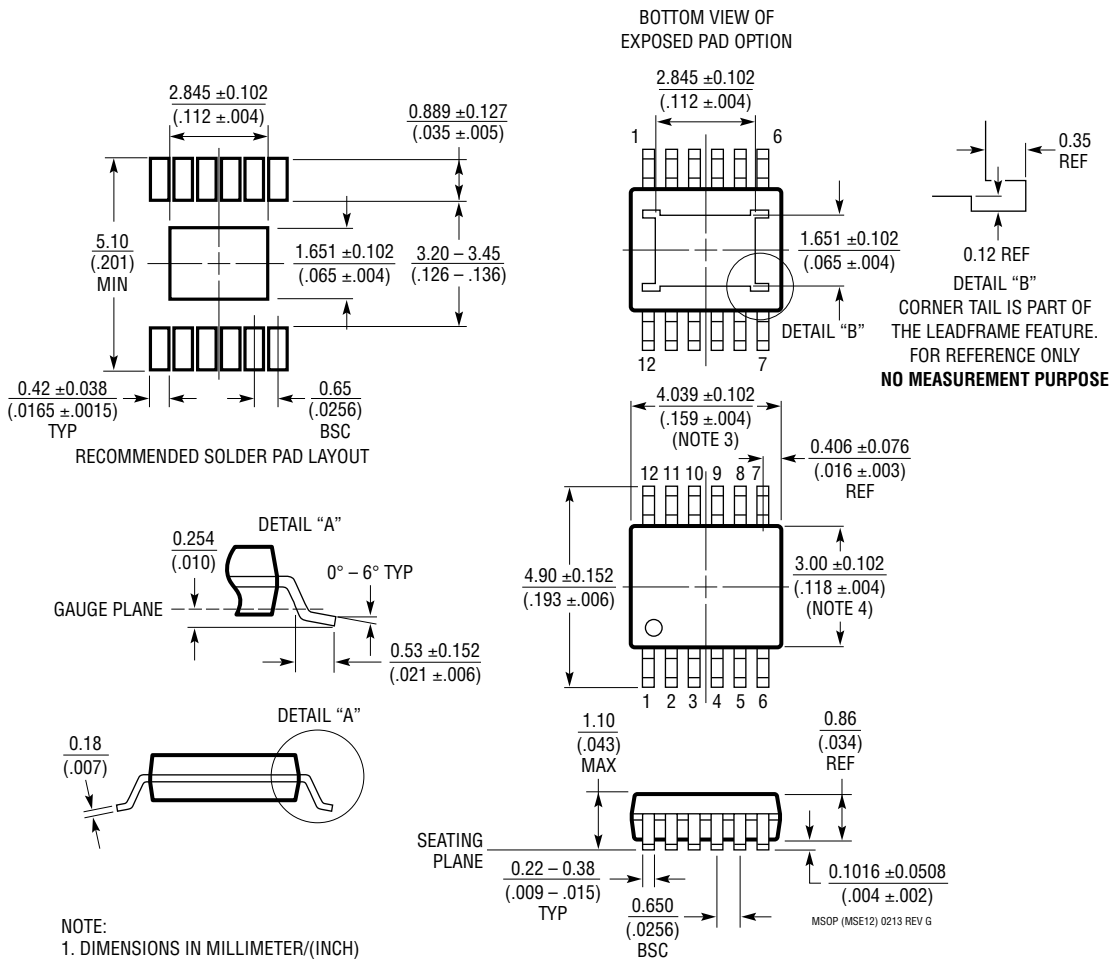


- NOTE:
1. DRAWING IS NOT A JEDEC PACKAGE OUTLINE
 2. DRAWING NOT TO SCALE
 3. ALL DIMENSIONS ARE IN MILLIMETERS
 4. DIMENSIONS OF EXPOSED PAD ON BOTTOM OF PACKAGE DO NOT INCLUDE MOLD FLASH. MOLD FLASH, IF PRESENT, SHALL NOT EXCEED 0.15mm ON ANY SIDE
 5. EXPOSED PAD AND TIE BARS SHALL BE SOLDER PLATED
 6. SHADED AREA IS ONLY A REFERENCE FOR PIN 1 LOCATION ON THE TOP AND BOTTOM OF PACKAGE

PACKAGE DESCRIPTION

Please refer to <http://www.linear.com/product/LT3652#packaging> for the most recent package drawings.

MSE Package 12-Lead Plastic MSOP, Exposed Die Pad (Reference LTC DWG # 05-08-1666 Rev G)



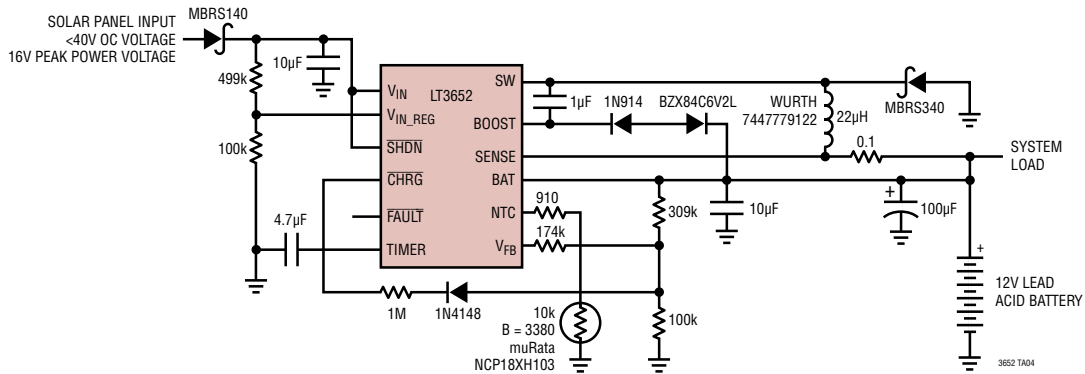
- NOTE:
1. DIMENSIONS IN MILLIMETER/(INCH)
 2. DRAWING NOT TO SCALE
 3. DIMENSION DOES NOT INCLUDE MOLD FLASH, PROTRUSIONS OR GATE BURRS.
MOLD FLASH, PROTRUSIONS OR GATE BURRS SHALL NOT EXCEED 0.152mm (.006") PER SIDE
 4. DIMENSION DOES NOT INCLUDE INTERLEAD FLASH OR PROTRUSIONS.
INTERLEAD FLASH OR PROTRUSIONS SHALL NOT EXCEED 0.152mm (.006") PER SIDE
 5. LEAD COPLANARITY (BOTTOM OF LEADS AFTER FORMING) SHALL BE 0.102mm (.004") MAX
 6. EXPOSED PAD DIMENSION DOES INCLUDE MOLD FLASH. MOLD FLASH ON E-PAD SHALL NOT EXCEED 0.254mm (.010") PER SIDE.

REVISION HISTORY (Revision history begins at Rev B)

REV	DATE	DESCRIPTION	PAGE NUMBER
B	2/10	Add MSOP-12 Package	1, 2, 24
C	5/10	Corrected $\overline{\text{SHDN}}$ Pin Labels	3, 4
D	12/12	Removed reference to Nickel cell charging capability	1
		Added new Battery Bias Current curve	6
E	12/15	Enhanced Pin Configuration	2
		Added Note 2 to top of Electrical Characteristics	3, 4
		Enhanced Note 2	4
		Changed name of Pin 13	8
		Modified Inductor Selection section	13
		Modified Battery Float Voltage Programming equations	15

TYPICAL APPLICATION

1A Solar Panel Powered 3-Stage 12V Lead-Acid Fast/Float Charger; 1A Charger Fast Charges with CC/CV Characteristics Up to 14.4V; When Charge Current Falls to 0.1A Charger Switches to 13.5V Float Charge Mode; Charger Re-Initiates 14.4V Fast Charge Mode if Battery Voltage Falls Below 13.2V and Trickle Charges at 0.15A if Battery Voltage is Below 10V; 0°C to 45°C Battery Temperature Charging Range



RELATED PARTS

PART NUMBER	DESCRIPTION	COMMENTS
LT3650-8.2/LT3650-8.4	Monolithic 2A Switch Mode 2-Cell Li-Ion Battery Charger	Standalone, $9V \leq V_{IN} \leq 32V$ (40V Absolute Maximum), 1MHz, 2A Programmable Charge Current, Timer or C/10 Termination, Small and Few External Components, 3mm x 3mm DFN12 Package, -8.2 for 2 x 4.1V Float Voltage Batteries, -8.4 for 2 x 4.2V Float Voltage Batteries
LTC4001/LTC4001-1	Monolithic 2A Switch Mode Synchronous Li-Ion Battery Charger	Standalone, $4V \leq V_{IN} \leq 5.5V$ (6V Absolute Maximum, 7V Transient), 1.5MHz, Synchronous Rectification Efficiency >90%, Adjustable Timer Termination, Small and Few External Components, 4mm x 4mm QFN-16 Package -1 for 4.1V Float Voltage Batteries
LTC4002	Switch Mode Lithium-Ion Battery Charger	Standalone, $4.7V \leq V_{IN} \leq 24V$, 500kHz Frequency, 3 Hour Charge Termination
LTC4006	Small, High Efficiency, Fixed Voltage, Lithium-Ion Battery Charger with Termination and Thermistor Sensor	Complete Charger for 3- or 4-Cell Li-Ion Batteries, AC Adapter Current Limit, 16-Pin Narrow SSOP Package
LTC4007	High Efficiency, Programmable Voltage Battery Charger with Termination	Complete Charger for 3- or 4-Cell Li-Ion Batteries, AC Adapter Current Limit, Thermistor Sensor and Indicator Outputs
LTC4008	4A, High Efficiency, Multi-Chemistry Battery Charger	Constant-Current/Constant-Voltage Switching Regulator Charger, Resistor Voltage/Current Programming, AC Adapter Current Limit and Thermistor Sensor and Indicator Outputs
LTC4012/LTC4012-1/ LTC4012-2/ LTC4012-3	4A, High Efficiency, Multi-Chemistry Battery Charger with PowerPath™ Control	PowerPath Control, Constant-Current/Constant-Voltage Switching Regulator Charger, Resistor Voltage/Current Programming, AC Adapter Current Limit and Thermistor Sensor and Indicator Outputs 1 to 4 Cell Li, Up to 18 Cell Ni, SLA and Supercap Compatible; 4mm x 4mm QFN-20 Package -1 Version for 4.1V Li Cells, -2 Version for 4.2V Li Cells, -3 Version has Extra GND Pin
LTC4015	Multichemistry Buck Battery Charger Controller with Digital Telemetry System	Multichemistry Li-Ion/Polymer, LiFePO ₄ , or Lead-Acid Battery Charger with Termination, Digital Telemetry System Monitors V_{BAT} , I_{BAT} , R_{BAT} , NTC Ratio (Battery Temperature), V_{IN} , I_{IN} , V_{SYSTEM} , Die Temperature, Coulomb Counter and Integrated 14-Bit ADC, Maximum Power Point Tracking, Wide Charging Input Voltage Range: 4.5V to 35V, Wide Battery Voltage Range: Up to 35V, 5mm x 7mm QFN-38 Package
LTC4020	55V Buck-Boost Multi-Chemistry Battery Charger	Wide Voltage Range: 4.5V to 55V Input, Up to 55V Output (60V Absolute Maximums), Synchronous Buck-Boost DC/DC Controller, Li-Ion and Lead-Acid Charge Algorithms, Input Voltage Regulation for High Impedance Input Supplies and Solar Panel Peak Power Operation, Low Profile (0.75mm) 38-Pin 5mm x 7mm QFN Package



Стандарт Электрон Связь

Мы молодая и активно развивающаяся компания в области поставок электронных компонентов. Мы поставляем электронные компоненты отечественного и импортного производства напрямую от производителей и с крупнейших складов мира.

Благодаря сотрудничеству с мировыми поставщиками мы осуществляем комплексные и плановые поставки широчайшего спектра электронных компонентов.

Собственная эффективная логистика и склад в обеспечивает надежную поставку продукции в точно указанные сроки по всей России.

Мы осуществляем техническую поддержку нашим клиентам и предпродажную проверку качества продукции. На все поставляемые продукты мы предоставляем гарантию .

Осуществляем поставки продукции под контролем ВП МО РФ на предприятия военно-промышленного комплекса России , а также работаем в рамках 275 ФЗ с открытием отдельных счетов в уполномоченном банке. Система менеджмента качества компании соответствует требованиям ГОСТ ISO 9001.

Минимальные сроки поставки, гибкие цены, неограниченный ассортимент и индивидуальный подход к клиентам являются основой для выстраивания долгосрочного и эффективного сотрудничества с предприятиями радиоэлектронной промышленности, предприятиями ВПК и научно-исследовательскими институтами России.

С нами вы становитесь еще успешнее!

Наши контакты:

Телефон: +7 812 627 14 35

Электронная почта: sales@st-electron.ru

Адрес: 198099, Санкт-Петербург,
Промышленная ул, дом № 19, литера Н,
помещение 100-Н Офис 331