

## DIO5538

### 5~100mA, Single Li-ion Battery Charger

#### Features

- Broad Programmable Charge Current: 5~100mA
- Over-Temperature Protection
- Under Voltage Lockout Protection
- Over Voltage Lockout Protection
- Reverse current protection between BAT and GND pins
- Automatic Recharge Threshold 4.05V(Typ.)
- Charge Status Output Pin
- 2.9V Trickle Charge Threshold
- Soft-Start Limits Inrush Current

#### Descriptions

The DIO5538 is a complete constant-current / constant voltage linear charger for single cell Lithium-Ion batteries. No external sense resistor is needed, and no blocking diode is required due to the internal MOSFET architecture. Thermal feedback regulates the charge current to limit the die temperature during high power operation or high ambient temperature. The charge voltage is fixed at 4.2V, and the charge current can be programmed externally with a single resistor.

The DIO5538 automatically terminates the charge cycle when the charge current drops to 1/10 the programmed value after the final float voltage is reached.

When the input supply (wall adapter or USB supply) is removed, the DIO5538 automatically enters a low current state, dropping the battery drain current to less than 0.5 $\mu$ A. The DIO5538 can be put into shutdown mode, reducing supply current to 40 $\mu$ A (Typ.).

The DIO5538 is available in a small package with SOT23-5. Standard product is Pb-Free.

#### Applications

- Wireless phone
- MP3/MP4 Player
- Bluetooth device

#### Ordering Information

Order Part Number	Top Marking		T <sub>A</sub>	Package	
DIO5538ST5	W538	Green	-40 to +85°C	SOT23-5	Tape & Reel, 3000

## Pin Assignment

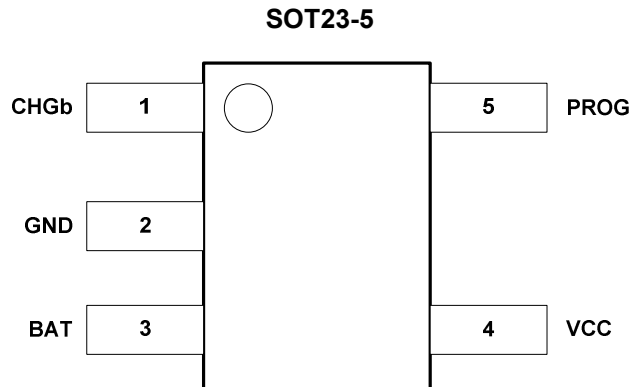


Figure 1. Top View

## Pin Descriptions

Name	Description
CHGb	Open-Drain Charge Status Output. When the battery is charging, the CHARGb pin is pulled low. When the charge cycle is completed or VCC is removed, the CHGb is forced high impedance.
GND	Ground.
BAT	Charge Current Output. Provides charge current to the battery and regulates the final float voltage to 4.2V.
VCC	Power Supply.
PROG	Charge current setting, charge current monitor and shutdown pin. The charging current is given by $I_{BAT} = (1/R_{PROG}) * 100$ . The chip will be shutdown when PROG pin floating.



# DIO5538

5~100mA, Single Li-ion Battery Charger

## Absolute Maximum Ratings

Stresses beyond those listed under “Absolute Maximum Rating” may cause permanent damage to the device. These are stress ratings only and functional operation of the device at these or any other condition beyond those indicated in the operational sections of the specifications is not implied. Exposure to absolute maximum rating conditions for extended periods may affect device reliability.

Parameter	Rating	Unit
Supply Voltage	-0.3~10	V
PROG Voltage	-0.3~VCC	V
BAT Voltage	-0.3~10	V
CHRGb Voltage	-0.3~VCC	V
BAT Pin Current	100	mA
Power Dissipation	0.6	W
Junction Temperature	150	°C
Package Thermal Resistance $R_{\theta JA}$	250	°C/W
Storage Temperature	-65~125	°C
Lead Temperature (Soldering 10s)	260	°C

## Recommend Operating Conditions

The Recommended Operating Conditions table defines the conditions for actual device operation. Recommended Operating conditions are specified to ensure optimal performance to the datasheet specifications. DIOO does not Recommend exceeding them or designing to Absolute Maximum Ratings.

Parameter	Rating	Unit
Input Supply Voltage	4.5 to 5.5	V
Operating Temperature Range	-40 to 85	°C



# DIO5538

5~100mA, Single Li-ion Battery Charger

## Electrical Characteristics

V<sub>CC</sub>=5V, T<sub>A</sub> = 25°C (unless otherwise noted)

Symbol	Parameter	Conditions	Min.	Typ.	Max.	Unit
I <sub>SOLYCHRG</sub>	Charge Mode Supply Current	R <sub>PROG</sub> =10kΩ		220	2000	μA
		R <sub>PROG</sub> =20kΩ		220	2000	μA
I <sub>BATCHRG</sub>	Charge Mode Battery Current	R <sub>PROG</sub> =5kΩ	18.4	20	21.6	mA
		R <sub>PROG</sub> =10kΩ	9.2	10	10.8	mA
		R <sub>PROG</sub> =20kΩ	4.6	5	5.4	mA
V <sub>PROGCHRG</sub>	PROG Pin Voltage	R <sub>PROG</sub> =10kΩ	0.93	1.00	1.07	V
		R <sub>PROG</sub> =20kΩ	0.93	1.00	1.07	V
I <sub>SPLYSTBY</sub>	Standby Mode Supply Current	Charge Terminated		100	500	μA
I <sub>BATSTBY</sub>	Standby Mode Battery Current	Charge Terminated	0	-2.5	-6	μA
I <sub>SPLYASD</sub>	Shutdown Mode Supply Current	V <sub>CC</sub> <V <sub>BAT</sub>	20	40	90	μA
I <sub>BATASD</sub>	Shutdown Mode BAT Pin Current	V <sub>CC</sub> <V <sub>BAT</sub>		±0.05	±1	μA
I <sub>SPLYUVLO</sub>	UVLO Mode Supply Current	V <sub>CC</sub> <V <sub>UV</sub>	20	35	90	μA
I <sub>BATUVLO</sub>	UVLO Mode BAT Pin Current	V <sub>CC</sub> <V <sub>UV</sub>		±0.05	±1	μA
I <sub>SPLYOVLO</sub>	OVLO Mode Supply Current	V <sub>CC</sub> >V <sub>OV</sub>		40		μA
I <sub>BATOVLO</sub>	OVLO Mode BAT Pin Current	V <sub>CC</sub> >V <sub>OV</sub>		±0.05	±1	μA
I <sub>SPLYSHUT</sub>	Shutdown Mode Supply Current	R <sub>PROG</sub> not Connected	20	40	70	μA
I <sub>BATSHUT</sub>	Shutdown Mode BAT Pin Current	R <sub>PROG</sub> not Connected		±0.05	±1	μA
I <sub>BATMSD</sub>	Manual Shutdown BAT Pin Current	V <sub>PROG</sub> =1.3V		±0.05	±1	μA
I <sub>BATSLEEP</sub>	Sleep Mode BAT Pin Current	V <sub>CC</sub> =0V		±0.05	±1	μA
I <sub>Chare_terminated</sub>	100mA/10mA charger terminated	R <sub>PROG</sub> =10kΩ		10		μA
V <sub>Chare_terminated</sub>		R <sub>PROG</sub> =10kΩ		21		mV
V <sub>FLOAT</sub>	Float Voltage		4.158	4.2	4.242	V
I <sub>TRIKL</sub>	Trickle Charge Current	R <sub>PROG</sub> =10kΩ		1		mA
V <sub>TRIKL</sub>	Trickle Charge Voltage Threshold	R <sub>PROG</sub> =10kΩ	2.8	2.9	3.0	V
V <sub>TRIKL, HYS</sub>	Trickle Charge Voltage Hysteresis	R <sub>PROG</sub> =10kΩ		100		mV
V <sub>UVLO</sub>	UVLO Threshold	From V <sub>CC</sub> Low to High	3.6	3.8	4.0	V
V <sub>UVLO, HYS</sub>	UVLO Hysteresis			250		mV



## DIO5538

5~100mA, Single Li-ion Battery Charger

### Electrical Characteristics (continued)

VCC=5V, T<sub>A</sub>= 25°C (unless otherwise noted)

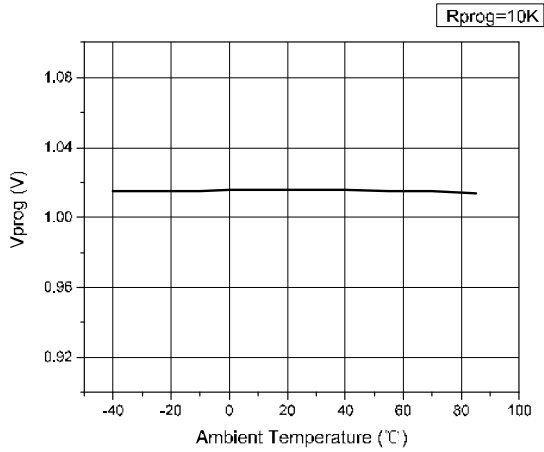
Symbol	Parameter	Conditions	Min.	Typ.	Max.	Unit
V <sub>OVLO</sub>	OVLO Threshold	From V <sub>CC</sub> Low to High		6		V
V <sub>OVLO, HYS</sub>	OVLO Hysteresis			180		mV
V <sub>MSD</sub>	Manual Shutdown Threshold Voltage	PROG Pin Rising PROG Pin Falling		1.2 1.0	1.3	V V
V <sub>ASD</sub>	Vcc-VBAT Lockout Threshold Voltage	V <sub>CC</sub> from low to High V <sub>CC</sub> from High to Low	5	120 50		mV mV
ΔV <sub>RECHRG</sub>	Auto Recharge Battery Voltage		100	150	200	mV
V <sub>CHRGb</sub>	CHGb Pin Output Low Voltage	I <sub>CHRGb</sub> =5mA		0.2	0.6	V
T <sub>LIM</sub>	Junction Temperature In CT Mode			165		°C
T <sub>SS</sub>	Soft-Start Time	R <sub>PROG</sub> =2kΩ		50		μs
T <sub>RECHRG</sub>	Recharge Comparator Filter Time			2		ms
T <sub>TERM</sub>	Termination Comparator Filter Time			1		ms
I <sub>PROG</sub>	PROG Pin Pull-up Current		0.35	0.5	0.75	μA

Specifications subject to change without notice.

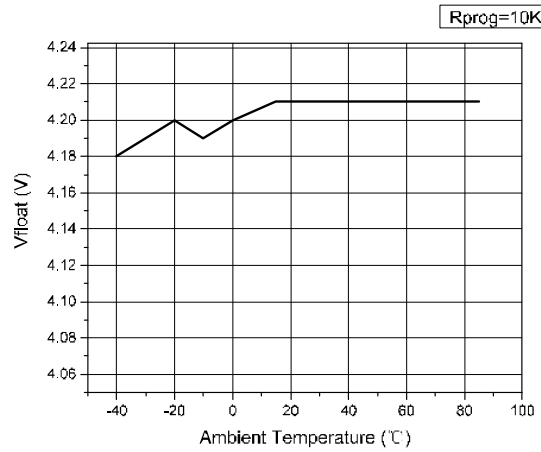
## Typical Performance Characteristics

VCC=5V, T<sub>A</sub>= 25°C (unless otherwise noted)

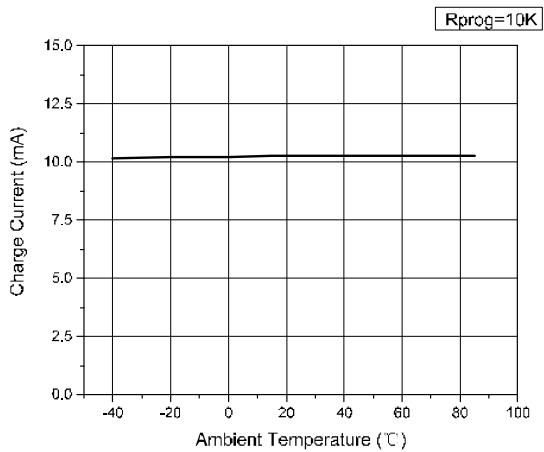
**PROG Pin Voltage vs. Ambient Temperature**



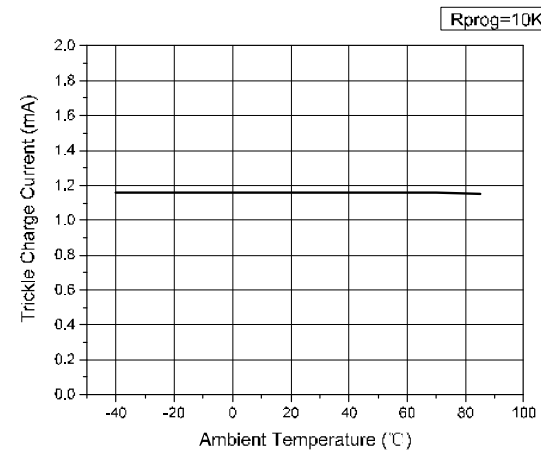
**Float Voltage vs. Ambient Temperature**



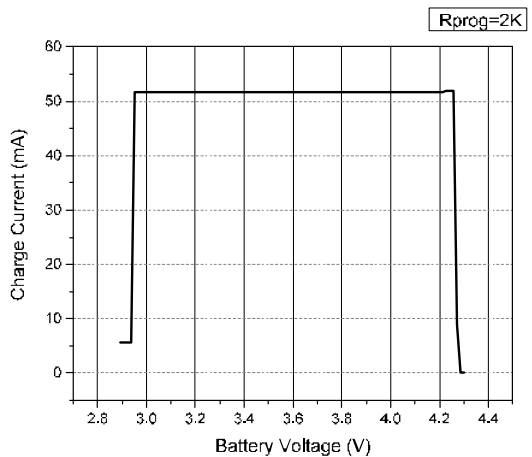
**Icharge vs. Ambient Temperature**



**I trickle charge vs. Ambient Temperature**

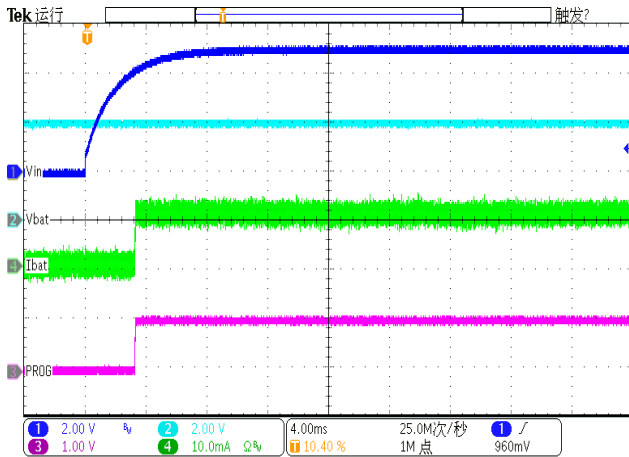


**Charge Current vs. Battery Voltage**



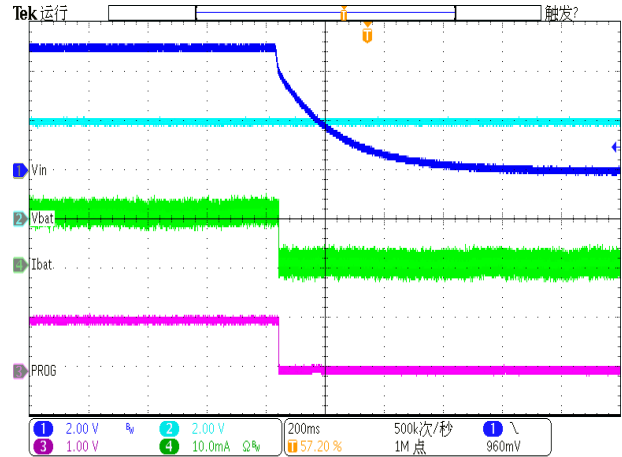
### VCC Start-up

(VCC=5V, R<sub>PROG</sub>=10kΩ, C<sub>BAT</sub>=10μF, BAT connect to battery)



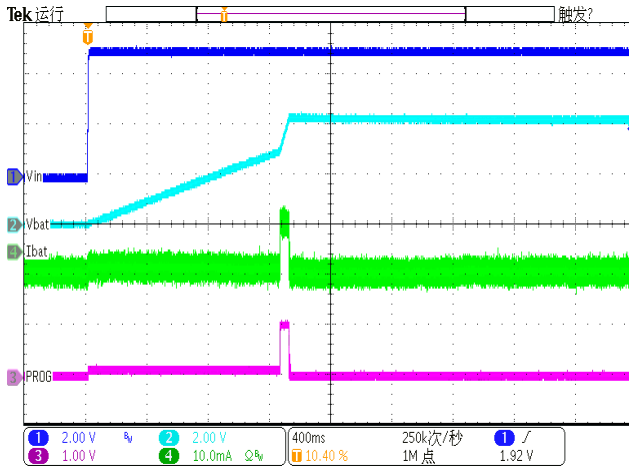
### VCC Shut-down

(VCC=5V, R<sub>PROG</sub>=10kΩ, C<sub>BAT</sub>=10μF, BAT connect to battery)



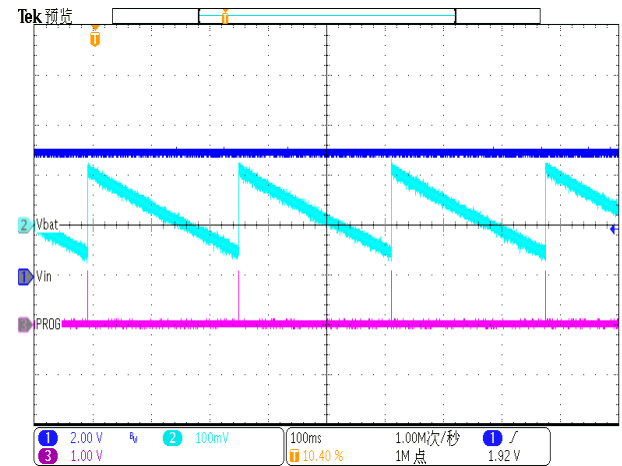
### Charging Curve

(VCC=5V, R<sub>PROG</sub>=10kΩ, C<sub>BAT</sub>=10μF)



### V<sub>BAT</sub>

(VCC=5V, R<sub>PROG</sub>=10kΩ, C<sub>BAT</sub>=10μF)



## Block Diagram

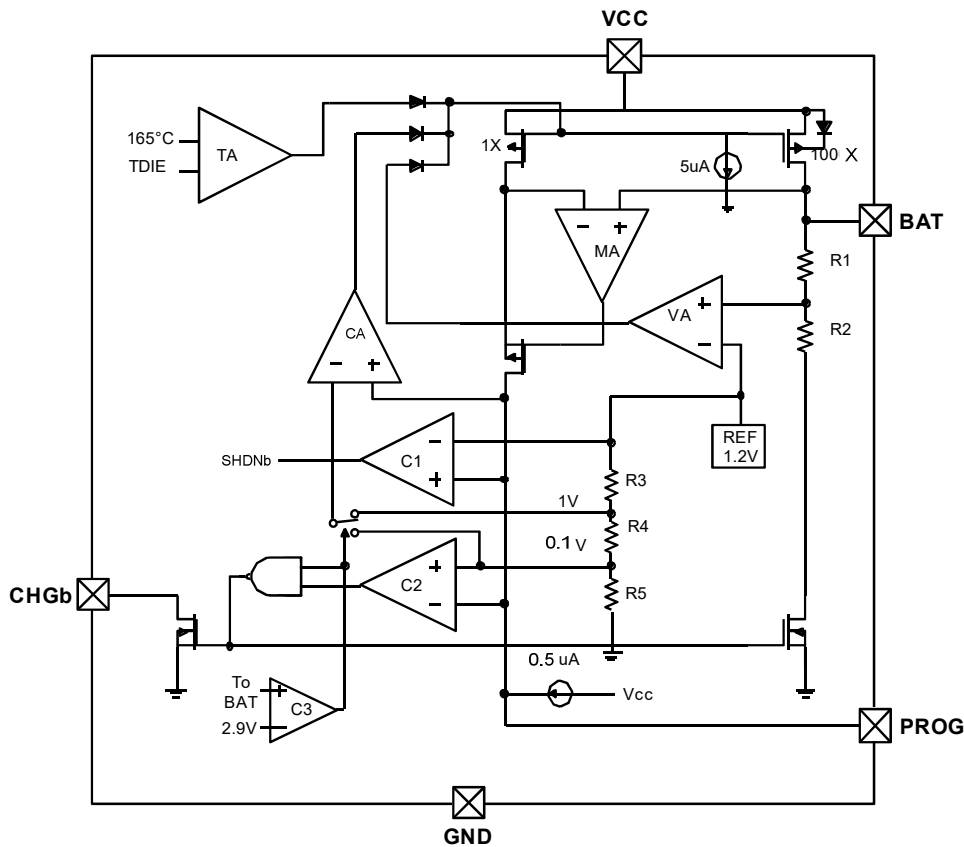


Figure 2. Function Block Diagram

## Operation information

The DIO5538 is a single cell Lithium-Ion battery charger using a constant-current / constant-voltage algorithm. It can deliver up to 100mA of charge current (using a good thermal PCB layout) with a final float voltage accuracy of  $\pm 1\%$ . The DIO5538 includes an internal P-channel power MOSFET and thermal regulation circuitry. No blocking diode or external current sense resistor is required; thus, the basic charger circuit requires only two external components. Furthermore, the DIO5538 is capable of operating from a USB power source.

### Normal charge cycle

A charge cycle begins when the voltage at the VCC pin rises above the UVLO threshold level and a 1% program resistor is connected from the PROG pin to ground or when a battery is connected to the charger output. If the BAT pin is less than 2.9V, the charger enters trickle charge mode. In this mode, the DIO5538 supplies approximately 1/10 the programmed charge current to bring the battery voltage up to a safe level for full current charging.

When the BAT pin voltage rises above 2.9V, the charger enters constant-current mode, where the programmed charge current is supplied to the battery. When the BAT pin approaches the final float voltage, the DIO5538 enters constant-voltage mode and the charge current begins to decrease. The charge cycle ends when the PROG voltage is less than 100mV.



### Programming charge current

The charge current is programmed using a single resistor from the PROG pin to ground. The battery charge current of constant current mode is 100 times the current out of the PROG pin. The program resistor and the charge current of constant current are calculated using the following equations:

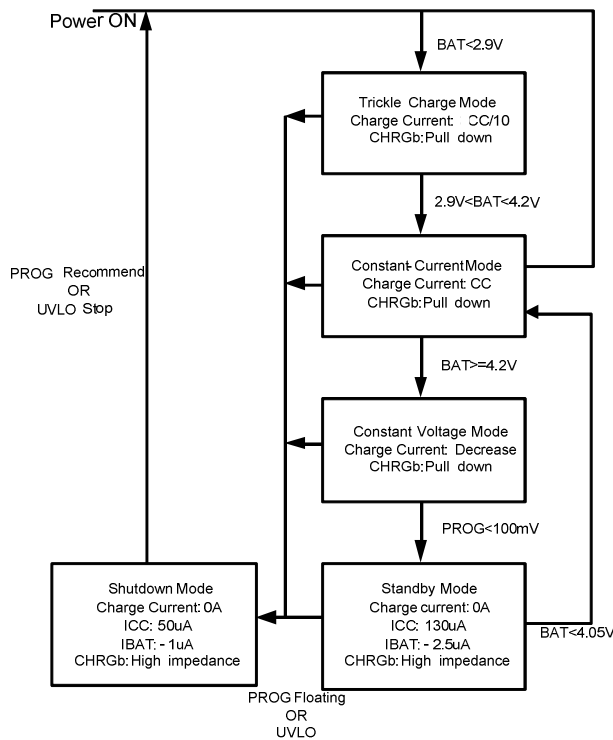
$$I_{CHRG} = \left( \frac{1V}{R_{PROG}} \right) \times 100$$

### Charge termination

A charge cycle is terminated when the charge current falls to 1/10 of the programmed value after the final float voltage is reached. This condition is detected by using an internal, filtered comparator to monitor the PROG pin. When the PROG pin voltage falls below 100mV for longer than  $T_{TERM}$  (typically 1ms), charging is terminated. The charge current is latched off and the DIO5538 enters standby mode, where the input supply current drops to 136µA. (Note: CC/10 termination is disabled in trickle charging mode and thermal limiting modes).

When charging, transient loads on the BAT pin can cause the PROG pin to fall below 100mV for short periods of time before the DC charge current has dropped to 1/10 of the programmed value. The 1ms filter time ( $T_{TERM}$ ) on the termination comparator ensures that transient loads of this nature do not result in premature charge cycle termination. Once the average charge current drops below 1/10 of the programmed value, the DIO5538 terminates the charge cycle and ceases to provide any current through the BAT pin, the chip will be put into standby mode. In this state, all loads on the BAT pin must be supplied by the battery.

The DIO5538 constantly monitors the BAT pin voltage in standby mode. If this voltage drops below the 4.05V recharge threshold ( $V_{RECHRG}$ ), another charge cycle begins and current is once again supplied to the battery. The state diagram of a typical charge cycle is as below:



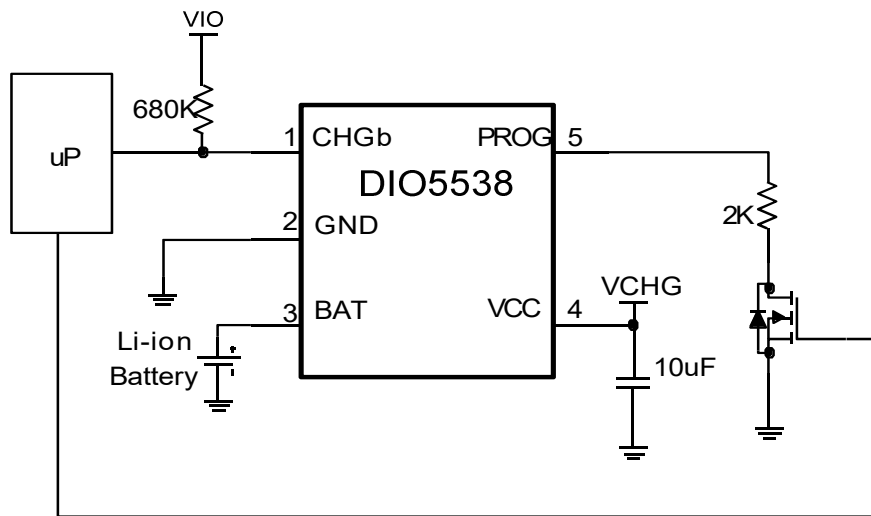
**Figure 3. State Diagram of a Typical Charge Cycle**

## Charge status indicator (CHGb)

The charge status output indicator is an open drain circuit. The indicator has two different states: pull-down (~10mA), and high impedance. The pull-down state indicates that the DIO5538 is in a charge cycle. High impedance indicates that the charge cycle is complete. The CHGb also can be used to detect the charge states by a microprocessor with a pull-up resistor.

## Shutdown mode

At any point in the charge cycle, the DIO5538 can be put into shutdown mode by removing RPROG thus floating the PROG pin. This reduces the battery drain current to less than  $0.5\mu\text{A}$  and the supply current to less than  $45\mu\text{A}$ . A new charge cycle can be initiated by reconnecting the program resistor. Below is a recommend application.



**Figure 4. Manual Shutdown Mode Application Circuit**

The DIO5538 also be put into shutdown mode when VCC voltage down to UVLO Threshold or up to OVLO Threshold. In this state, the CHGb pin is high impedance state. The CHGb pin is also in a high impedance state if the charge cycle is completed.

## Automatic recharge

Once the charge cycle is terminated, the DIO5538 continuously monitors the voltage on the BAT pin using a comparator with a 2ms filter time ( $T_{\text{RECHRG}}$ ). A charge cycle restarts when the battery voltage falls below 4.05V (which corresponds to approximately 80% to 90% battery capacity). This ensures that the battery is kept at or near a fully charged condition and eliminates the need for periodic charge cycle initiations. CHGb output enters a pull-down state during recharge cycles.

## Application Information

### Typical Application

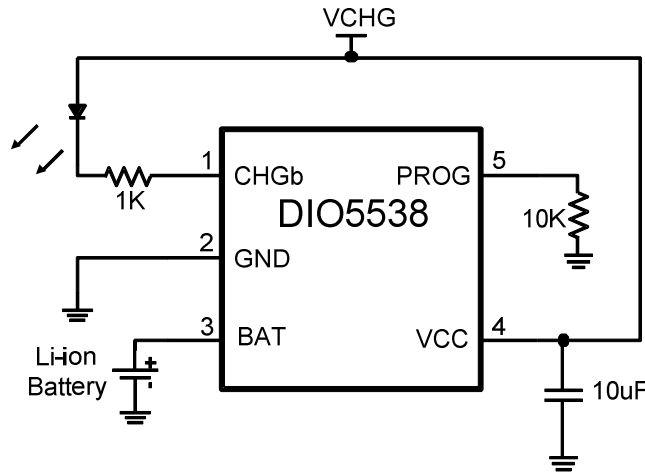


Figure 5. Typical applications W/T LED indicate

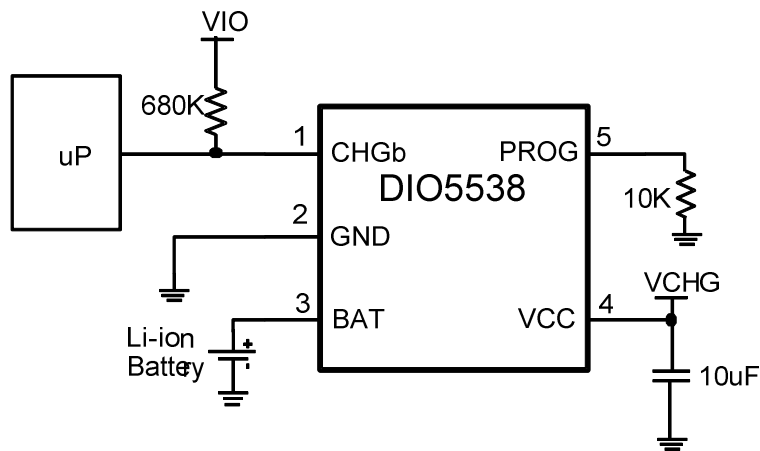


Figure 6. Typical applications W/T microprocessor detect

#### Stability considerations

The constant-voltage mode feedback loop is stable without an output capacitor provided a battery is connected to the charger output. With no battery present, an output capacitor is recommended to reduce ripple voltage. When using high value, low ESR ceramic capacitors, it is recommended to add a 1Ω resistor in series with the capacitor. No series resistor is needed if tantalum capacitors are used.

In constant-current mode, the PROG pin is in the feedback loop, not the battery. The constant-current mode stability is affected by the impedance at the PROG pin. With no additional capacitance on the PROG pin, the charger is stable with program resistor values as high as 50KΩ. However, additional capacitance on this node reduces the maximum allowed program resistor thus it should be avoided.



## DIO5538

### Thermal Limit

An internal thermal feedback loop reduces the programmed charge current if the die temperature attempts to rise above a preset value of approximately 165°C. This feature protects the DIO5538 from excessive temperature and allows the user to push the limits of the power handling capability of a given circuit board without risk of damaging the DIO5538. The charge current can be set according to typical (not worst-case) ambient temperature with the assurance that the charger will automatically reduce the current in worst-case conditions.

### Power dissipation

The conditions that cause the DIO5538 to reduce charge current through thermal feedback can be approximated by considering the power dissipated in the IC. Nearly all of this power dissipation is generated by the internal MOSFET. This is calculated to be approximately:

$$P_D = (V_{CC} - V_{BAT}) \times I_{BAT}$$

It is important to remember that DIO5538 applications do not be designed for worst-case thermal conditions since the IC will automatically reduce power dissipation when the junction temperature reaches approximately 160°C (Constant temperature mode).

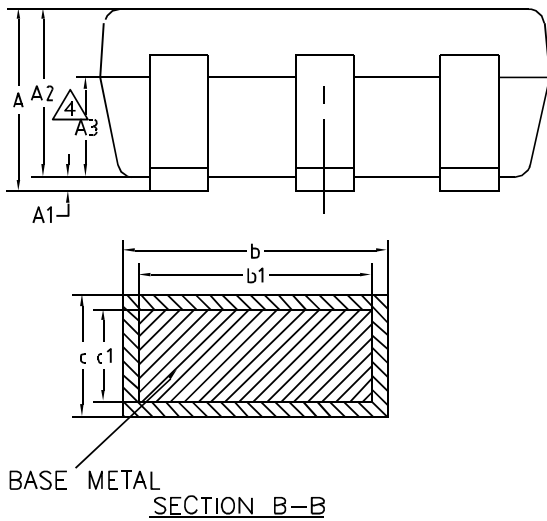
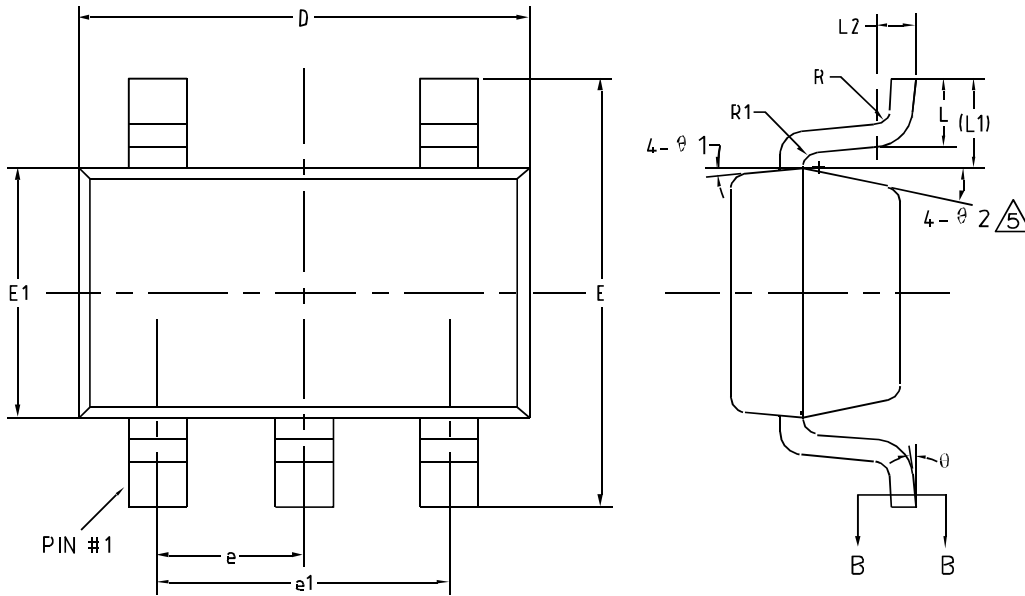
### VCC bypass capacitor

Many types of capacitors can be used for input bypass, however, caution must be exercised when using multilayer ceramic capacitors. Because of the self-resonant and high Q characteristics of some types of ceramic capacitors, a 10µF ceramic capacitor is recommended for this bypass capacitor. Due to a high voltage transient will be generated under some start-up conditions, such as connecting the charger input to a live power source.

### Charge current soft-start

The DIO5538 includes a soft-start circuit to minimize the inrush current at the start of a charge cycle. When a charge cycle is initiated, the charge current ramps from zero to the full-scale current over a period of approximately 130µs. This has the effect of minimizing the transient current load on the power supply during start-up.

## Physical Dimensions: SOT23-5



COMMON DIMENSIONS (UNITS OF MEASURE=MILLIMETER)			
Symbol	MIN	NOM	MAX
A	-	-	1.25
A1	0	-	0.15
A2	1.00	1.10	1.20
A3	0.60	0.65	0.70
b	0.36	-	0.50
b1	0.36	0.38	0.45
c	0.14	-	0.20
c1	0.14	0.15	0.16
D	2.826	2.926	3.026
E	2.60	2.80	3.00
E1	1.526	1.626	1.726
e	0.90	0.95	1.00
e1	1.80	1.90	2.00
L	0.35	0.45	0.60
L1	0.59REF		
L2	0.25BSC		
R	0.10	-	-
R1	0.10	-	0.25
θ	0°	-	8°
θ1	3°	5°	7°
θ2	6°	-	14°



## DIO5538

5~100mA, Single Li-ion Battery Charger

### CONTACT US

Dioo is a professional design and sales corporation for high-quality and performance analog semiconductors. The company focuses on industry markets, such as, cell phone, handheld products, laptop, and medical equipment and so on. Dioo's product families include analog signal processing and amplifying, LED drivers and charger IC. Go to <http://www.dioo.com> for a complete list of Dioo product families.

For additional product information, or full datasheet, please contact with our Sales Department or Representatives.



## Стандарт Электрон Связь

Мы молодая и активно развивающаяся компания в области поставок электронных компонентов. Мы поставляем электронные компоненты отечественного и импортного производства напрямую от производителей и с крупнейших складов мира.

Благодаря сотрудничеству с мировыми поставщиками мы осуществляем комплексные и плановые поставки широчайшего спектра электронных компонентов.

Собственная эффективная логистика и склад в обеспечивает надежную поставку продукции в точно указанные сроки по всей России.

Мы осуществляем техническую поддержку нашим клиентам и предпродажную проверку качества продукции. На все поставляемые продукты мы предоставляем гарантию .

Осуществляем поставки продукции под контролем ВП МО РФ на предприятия военно-промышленного комплекса России , а также работаем в рамках 275 ФЗ с открытием отдельных счетов в уполномоченном банке. Система менеджмента качества компании соответствует требованиям ГОСТ ISO 9001.

Минимальные сроки поставки, гибкие цены, неограниченный ассортимент и индивидуальный подход к клиентам являются основой для выстраивания долгосрочного и эффективного сотрудничества с предприятиями радиоэлектронной промышленности, предприятиями ВПК и научно-исследовательскими институтами России.

С нами вы становитесь еще успешнее!

### Наши контакты:

**Телефон:** +7 812 627 14 35

**Электронная почта:** [sales@st-electron.ru](mailto:sales@st-electron.ru)

**Адрес:** 198099, Санкт-Петербург,  
Промышленная ул, дом № 19, литера Н,  
помещение 100-Н Офис 331