

Industrial 24mm Diameter 5 Watt, Wirewound Rotary Potentiometer

Features

- Dust-proof construction
- Precision linearity
- 5 watt power rating
- Superior resistance stability in temperature and environment change
- Tandem constructions available
- Bushing or twist tab mounting
- Available with pull-push and rotary power switches
- RoHS compliant



Electrical and Mechanical Specifications

Resistance Range

Linear : 1 ohm through 25K ohms
Audio : 20 ohms through 10K ohms

Resistance Tolerance

±20%, ±10%, ±5%

Power Rating

5 watts @ 25°C

Dielectric Strength

1,000 VAC for 1 minute

Maximum Operating Voltage

500 VDC

Insulation Resistance

100 Megohms minimum @ 250 VDC

Rotational Angle

Mechanical Angle: 300°±5°

Effective Angle:

Without switch: 280°

With switch: 240°

Rotational Torque

3/4 to 6 in. oz. (54 - 432 gf-cm)

Linearity (linear curve only)

Standard: 3% linearity

Special : 2% linearity

Mounting Information

Bushing Mount

Twisted Tab

Power Switch

Rotary Switch-SPST, DPST, SPDT

Pull-Push Switch-SPST (Pull-ON, Push-OFF)

Rotational Life

standard : 10,000 cycles

special : 50,000 , 100,000 cycles

Solder Heat Resistance

Maximum 350° C for 3 sec

Operating Temperature

-30° C to +105° C

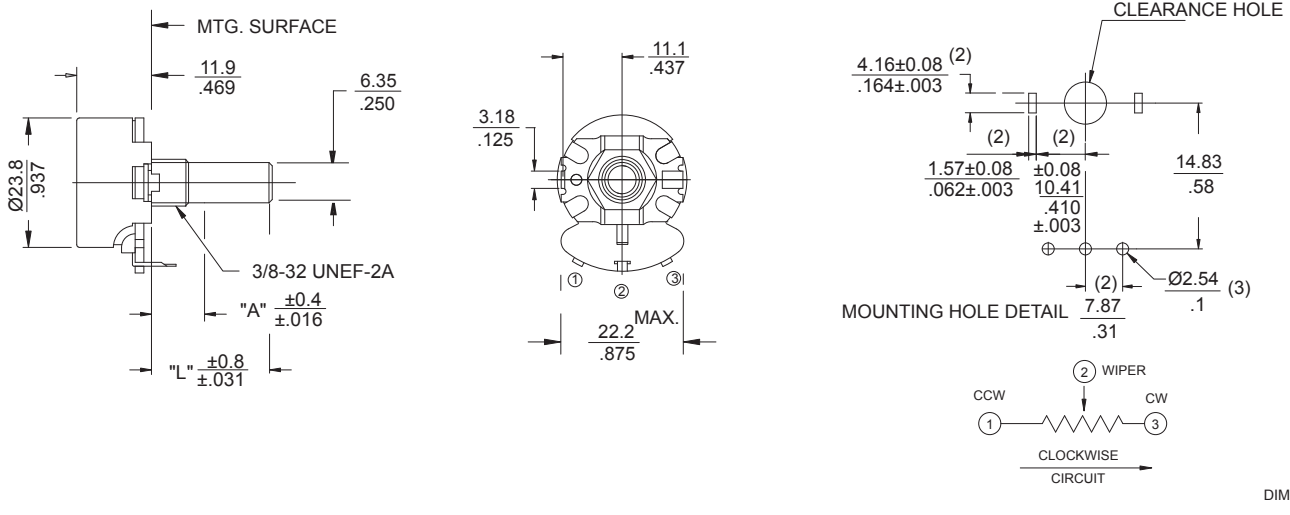
T026 Metal Shaft, Bushing Mounting, Type "T" Solder Lug Terminals



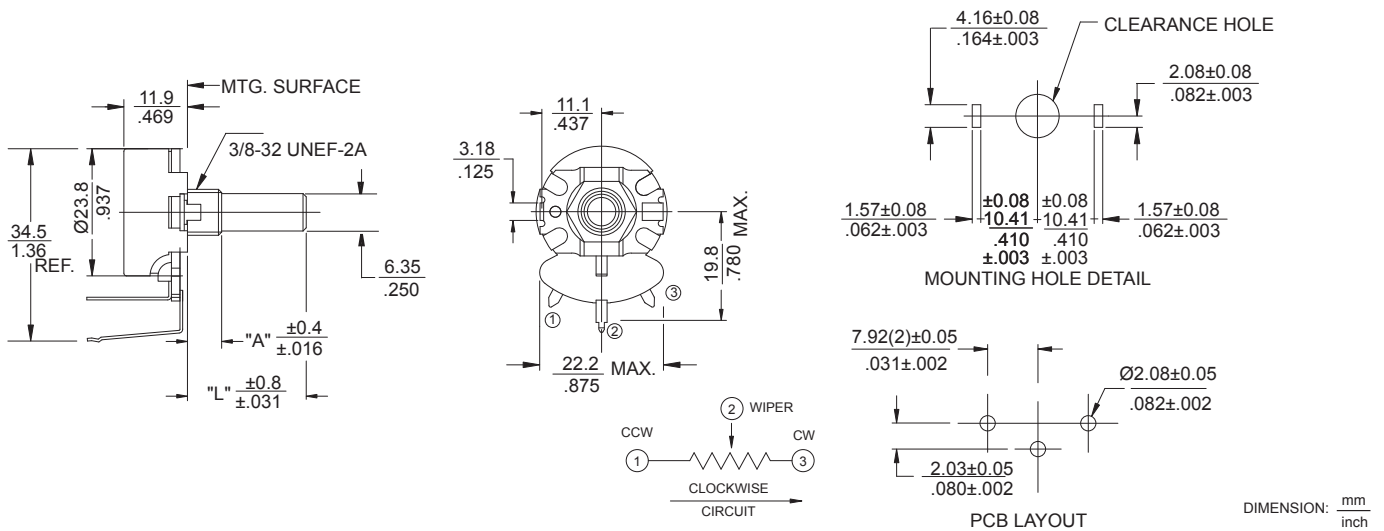
X026 / Y026 Metal Shaft, Bushing Mounting, Printed Circuit Type X/Y Terminals



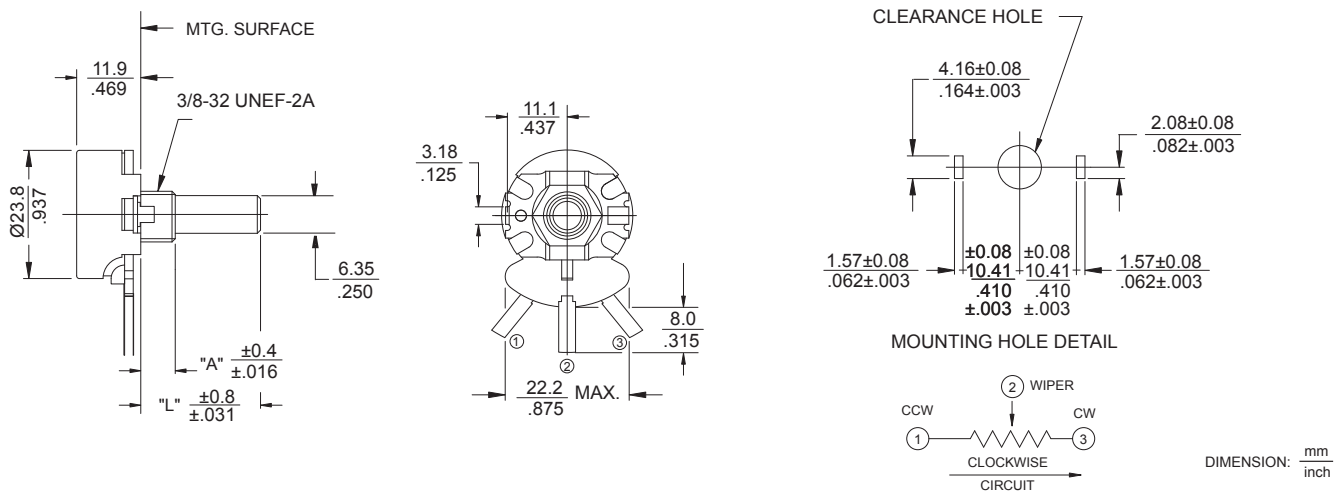
U026 Metal Shaft, Bushing Mounting, Printed Circuit Type "U" Formed Terminals



V026 Metal Shaft, Bushing Mounting, Printed Circuit Type "V" Formed Terminals



S026 Metal Shaft, Bushing Mounting, Faston Type "S" Formed Terminals



VPE026 Metal Shaft, Twist TAB Mounting, Type "V" Formed Terminals



T2-026 Dual-section, Metal Shaft, Bushing Mounting, Type "T" Solder Lug Terminals



* More multi-section models available, consult CTS for details

Ordering Information

| 026 | T | 2 | 20 | R | 103 | B | 1 | A | 1 | | | | | | | | | | | | | | | | | | | | | | | | | | | |
|---|---|---|---|----------|------------|----------|----------|----------|----------|----------|----------|----------------|----------|-----|----|-----|----------|--------|-----|--|--|--|-----|--------------------------------|----------|--------|-----|---------------|----------|-----------|------|---------------|----------|--------|-------|-----------------------------------|
| TERMINAL STYLE T - SOLDER LUG X - PC .687"(17.5mm) Y - PC .867"(22.0mm) U - FORMED TO FRONT V - FORMED TO REAR S - FASTON | METAL MOUNTING STYLE "A" BUSHING LENGTH: 1/8" INCREMENTS EXAMPLES: 2 - .250"(6.35mm) 3 - .375"(9.53mm) 8 - 1.000"(25.4mm) 1 - TWIST TAB MOUNT A - .250"(6.35mm) DIECAST B - .375"(9.53mm) DIECAST | SHAFT TRIM R - ROUND F - FLATTED .375"X.156" (9.53mmX4.0mm) K - KNURLED EIA S148 24 TEETH S - SD SLOT .063" DEEP X.047" WIDE (1.6mmX1.2mm) | RESISTANCE CODE EXAMPLES <table border="1"> <thead> <tr> <th>CODE</th> <th>RESISTANCE</th> </tr> </thead> <tbody> <tr> <td>5A0</td> <td>5 OHMS</td> </tr> <tr> <td>501</td> <td>500 OHMS</td> </tr> <tr> <td>102</td> <td>1K</td> </tr> <tr> <td>252</td> <td>2.5K</td> </tr> <tr> <td>502</td> <td>5K</td> </tr> <tr> <td>103</td> <td>10K</td> </tr> <tr> <td>253</td> <td>25K</td> </tr> </tbody> </table> | CODE | RESISTANCE | 5A0 | 5 OHMS | 501 | 500 OHMS | 102 | 1K | 252 | 2.5K | 502 | 5K | 103 | 10K | 253 | 25K | RESIST TOL A - $\pm 10\%$ B - $\pm 20\%$ D - $\pm 5\%$ | TAPER 1 - LINEAR 2 - 20%AUD 3 - 20%CCW AUD | SPECIALS 1 - LOCATING LUG LEFT SIDE 2 - LOCATING LUG RIGHT SIDE 3 - NO LOCATING LUG LOCATING 5 - LOCATING LUG BOTH SIDE | | | | | | | | | | | | | | |
| CODE | RESISTANCE | | | | | | | | | | | | | | | | | | | | | | | | | | | | | | | | | | | |
| 5A0 | 5 OHMS | | | | | | | | | | | | | | | | | | | | | | | | | | | | | | | | | | | |
| 501 | 500 OHMS | | | | | | | | | | | | | | | | | | | | | | | | | | | | | | | | | | | |
| 102 | 1K | | | | | | | | | | | | | | | | | | | | | | | | | | | | | | | | | | | |
| 252 | 2.5K | | | | | | | | | | | | | | | | | | | | | | | | | | | | | | | | | | | |
| 502 | 5K | | | | | | | | | | | | | | | | | | | | | | | | | | | | | | | | | | | |
| 103 | 10K | | | | | | | | | | | | | | | | | | | | | | | | | | | | | | | | | | | |
| 253 | 25K | | | | | | | | | | | | | | | | | | | | | | | | | | | | | | | | | | | |
| METAL SHAFT LENGTH "L" FROM MOUNTING SURFACE 1/32" INCREMENTS EXAMPLES: 20 - .625"(6.35mm) 24 - .750"(19.5mm) 28 - .875"(22.2mm) 32 - 1.000"(25.4mm) | <table border="1"> <thead> <tr> <th>SWITCHES</th> <th>FUNCTION</th> <th>CTS TYPE</th> <th>CURRENT RATING</th> </tr> </thead> <tbody> <tr> <td>A - NONE</td> <td></td> <td></td> <td></td> </tr> <tr> <td>B - SPST</td> <td>ROTARY</td> <td>TGC</td> <td>6AMP @ 125VAC</td> </tr> <tr> <td>C - DPST</td> <td>ROTARY</td> <td>027</td> <td>3AMP @ 125VAC 1AMP @ 250VAC</td> </tr> <tr> <td>D - SPDT</td> <td>ROTARY</td> <td>028</td> <td>3AMP @ 125VAC</td> </tr> <tr> <td>E - SPST</td> <td>PULL-PUSH</td> <td>FR-K</td> <td>3AMP @ 125VAC</td> </tr> <tr> <td>F - SPST</td> <td>ROTARY</td> <td>FR-GC</td> <td>3AMP @ 125VAC 1AMP @ 250VAC/DC</td> </tr> </tbody> </table> <p>* Refer to series 450 data sheet for power switch detail</p> | | | | | | | | SWITCHES | FUNCTION | CTS TYPE | CURRENT RATING | A - NONE | | | | B - SPST | ROTARY | TGC | 6AMP @ 125VAC | C - DPST | ROTARY | 027 | 3AMP @ 125VAC 1AMP @ 250VAC | D - SPDT | ROTARY | 028 | 3AMP @ 125VAC | E - SPST | PULL-PUSH | FR-K | 3AMP @ 125VAC | F - SPST | ROTARY | FR-GC | 3AMP @ 125VAC 1AMP @ 250VAC/DC |
| SWITCHES | FUNCTION | CTS TYPE | CURRENT RATING | | | | | | | | | | | | | | | | | | | | | | | | | | | | | | | | | |
| A - NONE | | | | | | | | | | | | | | | | | | | | | | | | | | | | | | | | | | | | |
| B - SPST | ROTARY | TGC | 6AMP @ 125VAC | | | | | | | | | | | | | | | | | | | | | | | | | | | | | | | | | |
| C - DPST | ROTARY | 027 | 3AMP @ 125VAC 1AMP @ 250VAC | | | | | | | | | | | | | | | | | | | | | | | | | | | | | | | | | |
| D - SPDT | ROTARY | 028 | 3AMP @ 125VAC | | | | | | | | | | | | | | | | | | | | | | | | | | | | | | | | | |
| E - SPST | PULL-PUSH | FR-K | 3AMP @ 125VAC | | | | | | | | | | | | | | | | | | | | | | | | | | | | | | | | | |
| F - SPST | ROTARY | FR-GC | 3AMP @ 125VAC 1AMP @ 250VAC/DC | | | | | | | | | | | | | | | | | | | | | | | | | | | | | | | | | |



Стандарт Электрон Связь

Мы молодая и активно развивающаяся компания в области поставок электронных компонентов. Мы поставляем электронные компоненты отечественного и импортного производства напрямую от производителей и с крупнейших складов мира.

Благодаря сотрудничеству с мировыми поставщиками мы осуществляем комплексные и плановые поставки широчайшего спектра электронных компонентов.

Собственная эффективная логистика и склад в обеспечивает надежную поставку продукции в точно указанные сроки по всей России.

Мы осуществляем техническую поддержку нашим клиентам и предпродажную проверку качества продукции. На все поставляемые продукты мы предоставляем гарантию .

Осуществляем поставки продукции под контролем ВП МО РФ на предприятия военно-промышленного комплекса России , а также работаем в рамках 275 ФЗ с открытием отдельных счетов в уполномоченном банке. Система менеджмента качества компании соответствует требованиям ГОСТ ISO 9001.

Минимальные сроки поставки, гибкие цены, неограниченный ассортимент и индивидуальный подход к клиентам являются основой для выстраивания долгосрочного и эффективного сотрудничества с предприятиями радиоэлектронной промышленности, предприятиями ВПК и научно-исследовательскими институтами России.

С нами вы становитесь еще успешнее!

Наши контакты:

Телефон: +7 812 627 14 35

Электронная почта: sales@st-electron.ru

Адрес: 198099, Санкт-Петербург,
Промышленная ул, дом № 19, литера Н,
помещение 100-Н Офис 331