

Knob Potentiometer



The P16 is a revolutionary concept in panel mounted potentiometers. This unique design consists of a knob driving and incorporating a cermet potentiometer. Only the mounting hardware and terminals are situated on the back side of the panel reducing to a minimum the required clearance.

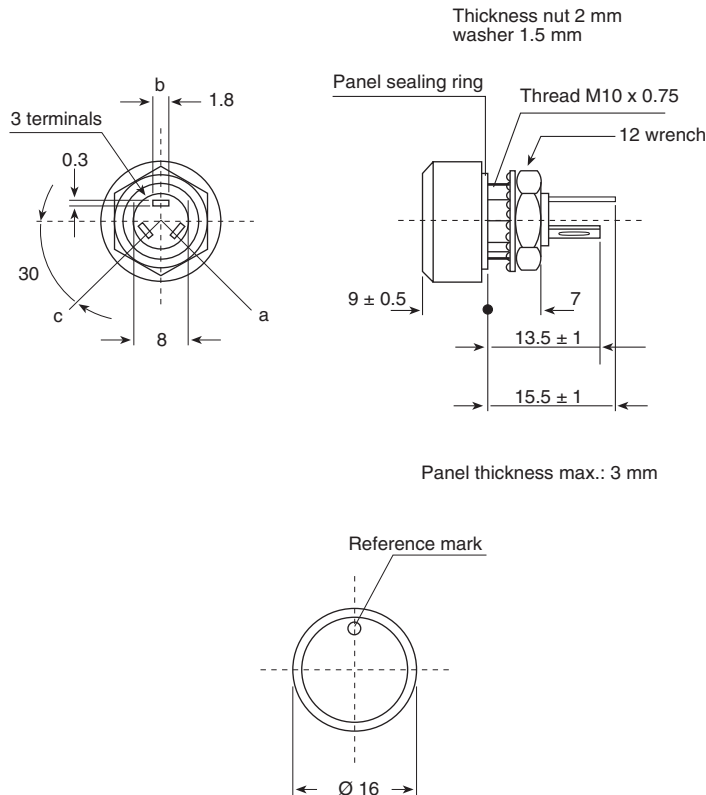
FEATURES

- Test according to CECC 41000 or IEC 60393-1
- **P16** - Version for professional and industrial applications (cermet)
1 W at 40 °C
- **PA16** - Version for professional audio applications (conductive plastic)
0.5 W at 40 °C
- Compact (integrated)
- High dielectric strength: 2500 V_{RMS}
- Fully sealed and panel sealed
- Metallic or plastic knob options
- Custom knob on request
- Compliant to RoHS Directive 2002/95/EC



DIMENSIONS in millimeters (± 0.5 mm)

P16, PA16



PANEL CUTOUT



| ELECTRICAL SPECIFICATIONS | | |
|--|---|---------------------------------------|
| | P16 | PA16 |
| Resistive Element | Cermet | Conductive plastic |
| Electrical Travel | 270° ± 10° | 270° ± 10° |
| Power Rating Chart | | |
| Circuit Diagram | | |
| Taper | | |
| Resistance Range | Linear Taper 22 Ω to 10 MΩ Logarithmic Taper 100 Ω to 2.2 MΩ | 1 kΩ to 1 MΩ 470 Ω to 500 kΩ |
| Standard Series E3 | 1 - 2.2 - 4.7 and on request 1 - 2 - 5 | 1 - 2.2 - 4.7 |
| Tolerance | Standard ± 20 % On Request ± 10 % | ± 20 % ± 10 % (1 kΩ to 100 kΩ) |
| Power Rating | Linear 1 W at + 40 °C 0.5 W at + 40 °C Logarithmic | 0.5 W at + 40 °C 0.25 W at + 40 °C |
| Temperature Coefficient (Typical) | ± 150 ppm/°C | ± 500 ppm/°C |
| Dielectric Strength (RMS) | 2500 V | 2500 V |
| Limiting Element Voltage (Linear Law) | 350 V | 350 V |
| Contact Resistance Variation | 3 % Rn or 3 Ω | 2 % Rn or 3 Ω |
| End Resistance (Typical) | 1 Ω | 1 Ω |
| Insulation Resistance (500 V _{DC}) | 10 ⁶ MΩ | 10 ⁶ MΩ |



| MECHANICAL SPECIFICATIONS | |
|--|-----------------|
| Mechanical Travel | 300° ± 5° |
| Operating Torque | 2 Ncm typical |
| End Stop Torque | 25 Ncm maximum |
| Max. Tightening Torque of Mounting Nut | 250 Ncm maximum |
| Unit Weight | 4.5 g typical |

| ENVIRONMENTAL SPECIFICATIONS | | |
|------------------------------|-----------------------------------|------------------|
| | Metallic Knob | Plastic Knob |
| Temperature Range | - 40 °C to 125 °C | - 40 °C to 85 °C |
| Climatic Category | 40/100/56 | 40/85/56 |
| Sealing | Sealed container and panel sealed | |
| Protection Grades | IP67 | |

| MARKING |
|---|
| <ul style="list-style-type: none"> Ohmic value code, tolerance code and taper Manufacturing date code |

| PACKAGING |
|---|
| <ul style="list-style-type: none"> Carton box of 20 pieces |

| CONTROL KNOB |
|---|
| Black metallic knob (NM). |
| Black plastic knob (NP). |
| For white and blue color see ordering information. |
| Other dimensions, shapes, colors of control knobs are manufactured on request - please consult Vishay. |
| Other reference marks (shapes, colors) and legends can be printed on plastic knob on request - please consult Vishay. |

| P16 STANDARD RESISTANCE ELEMENT DATA | | | | | | |
|--------------------------------------|---------------------|--------------|-------------------------|---------------------|--------------|-------------------------|
| STANDARD RESISTANCE VALUES | LINEAR TAPER | | | LOG TAPER | | |
| | MAX. POWER AT 40 °C | MAX. VOLTAGE | MAX. CUR. THROUGH WIPER | MAX. POWER AT 40 °C | MAX. VOLTAGE | MAX. CUR. THROUGH WIPER |
| Ω | W | V | mA | W | V | mA |
| 22 | 1 | 4.69 | 213 | | | |
| 47 | 1 | 6.85 | 146 | | | |
| 100 | 1 | 10 | 100 | 0.5 | 7.1 | 71 |
| 220 | 1 | 14.8 | 67.4 | 0.5 | 10.5 | 48 |
| 470 | 1 | 21.7 | 46.1 | 0.5 | 15.3 | 32.6 |
| 1K | 1 | 31.6 | 31.6 | 0.5 | 22.4 | 22.4 |
| 2.2K | 1 | 46.9 | 21.3 | 0.5 | 33.2 | 15.1 |
| 4.7K | 1 | 68.5 | 14.6 | 0.5 | 48.5 | 10.3 |
| 10K | 1 | 100 | 10 | 0.5 | 70.7 | 7.07 |
| 22K | 1 | 148 | 6.74 | 0.5 | 105 | 4.77 |
| 47K | 1 | 217 | 4.61 | 0.5 | 153 | 3.26 |
| 100K | 1 | 316 | 3.16 | 0.5 | 224 | 2.24 |
| 220K | 0.56 | 350 | 1.59 | 0.5 | 332 | 1.51 |
| 470K | 0.26 | 350 | 0.75 | 0.26 | 350 | 0.74 |
| 1M | 0.12 | 350 | 0.35 | 0.12 | 350 | 0.35 |
| 2.2M | 0.05 | 350 | 0.16 | 0.056 | 350 | 0.16 |
| 4.7M | 0.02 | 350 | 0.07 | | | |
| 10M | 0.01 | 350 | 0.012 | | | |

| PA16 STANDARD RESISTANCE ELEMENT DATA | | | | | | |
|---------------------------------------|---------------------|--------------|-------------------------|---------------------|--------------|-------------------------|
| STANDARD RESISTANCE VALUES | LINEAR TAPER | | | LOG TAPER | | |
| | MAX. POWER AT 40 °C | MAX. VOLTAGE | MAX. CUR. THROUGH WIPER | MAX. POWER AT 70 °C | MAX. VOLTAGE | MAX. CUR. THROUGH WIPER |
| Ω | W | V | mA | W | V | mA |
| 470 | | | | 0.25 | 10.8 | 23.1 |
| 1K | 0.5 | 22.4 | 22.4 | 0.25 | 15.8 | 16 |
| 2.2K | 0.5 | 33.2 | 15.1 | 0.25 | 23.5 | 11 |
| 4.7K | 0.5 | 48.5 | 10.3 | 0.25 | 34.3 | 7 |
| 10K | 0.5 | 79.7 | 7.07 | 0.25 | 50.0 | 5.0 |
| 22K | 0.5 | 105 | 4.77 | 0.25 | 74 | 3.4 |
| 47K | 0.5 | 153 | 3.26 | 0.25 | 108 | 2.3 |
| 100K | 0.5 | 224 | 2.24 | 0.25 | 158 | 1.6 |
| 220K | 0.5 | 332 | 1.51 | 0.25 | 235 | 1.1 |
| 470K | 0.26 | 350 | 0.74 | 0.25 | 343 | 0.7 |
| 1M | 0.12 | 350 | 0.35 | | | |



| PERFORMANCE | | | | |
|-------------------------|---|---------------------------|------------------------------|---|
| TESTS | CONDITIONS | TYPICAL VALUES AND DRIFTS | | |
| | | $\Delta R_T/R_T$ (%) | $\Delta R_{1-2}/R_{1-2}$ (%) | OTHER |
| Electrical Endurance | 1000 h at rated power 90°/30° cycle at + 40 °C | ± 5 % | - | Insulation resistance: > 10 ⁴ MΩ Contact res. variation: < 2 % Rn |
| Damp Heat, Steady State | 56 days 40 °C, 93 % HR | ± 2 % | ± 1 % | Insulation resistance: > 10 ⁴ MΩ |
| Mechanical Endurance | 50 000 cycles | ± 5 % | - | Contact res. variation: < 2 % Rn |
| Shock | 50 g's at 11 ms 3 successive shocks in 3 directions | ± 0.2 % | ± 0.5 % | - |
| Vibration | 10 Hz to 55 Hz 0.75 mm or 10 g's during 6 h | ± 0.2 % | - | $\Delta V_{1-2}/\Delta V_{1-3} \leq \pm 0.5 \%$ |

| ORDERING INFORMATION | | | | | | | | | | | | | | | | | |
|---|--|---|---|---|---|---|---|---|---|---|-------------------------------|---|--|--|--|--|--|
| P | 1 | 6 | N | P | 2 | 2 | 3 | M | A | B | 1 | 5 | | | | | |
| MODEL | STYLE | | | OHMIC VALUE | | | TOLERANCE | TAPER | | | PACKAGING CODE | SPECIAL NUMBER | | | | | |
| P16 = Cermet PA16 = Conductive plastic | NM : Metallic black NP : Plastic black WM : Metallic white WP : Plastic white BP : Plastic blue | | | 223 = 22 kΩ for ohmic value range see electrical specification | | | M = ± 20 % On request: K = ± 10 % | A : Linear L : Clockwise logarithmic F : Inverse clockwise logarithmic | | | B15 = Box of 20 pieces | (If applicable) Given by Vishay for custom design | | | | | |

| PART NUMBER DESCRIPTION (for information only) | | | | | | | | |
|--|-------|-------|-----------|-------|---------|-----------|---------|----------------|
| P16 | NP | 22 kΩ | 20 % | A | | BO | | e3 |
| MODEL | STYLE | VALUE | TOLERANCE | TAPER | SPECIAL | PACKAGING | SPECIAL | LEAD (Pb)-FREE |



Disclaimer

ALL PRODUCT, PRODUCT SPECIFICATIONS AND DATA ARE SUBJECT TO CHANGE WITHOUT NOTICE TO IMPROVE RELIABILITY, FUNCTION OR DESIGN OR OTHERWISE.

Vishay Intertechnology, Inc., its affiliates, agents, and employees, and all persons acting on its or their behalf (collectively, "Vishay"), disclaim any and all liability for any errors, inaccuracies or incompleteness contained in any datasheet or in any other disclosure relating to any product.

Vishay makes no warranty, representation or guarantee regarding the suitability of the products for any particular purpose or the continuing production of any product. To the maximum extent permitted by applicable law, Vishay disclaims (i) any and all liability arising out of the application or use of any product, (ii) any and all liability, including without limitation special, consequential or incidental damages, and (iii) any and all implied warranties, including warranties of fitness for particular purpose, non-infringement and merchantability.

Statements regarding the suitability of products for certain types of applications are based on Vishay's knowledge of typical requirements that are often placed on Vishay products in generic applications. Such statements are not binding statements about the suitability of products for a particular application. It is the customer's responsibility to validate that a particular product with the properties described in the product specification is suitable for use in a particular application. Parameters provided in datasheets and/or specifications may vary in different applications and performance may vary over time. All operating parameters, including typical parameters, must be validated for each customer application by the customer's technical experts. Product specifications do not expand or otherwise modify Vishay's terms and conditions of purchase, including but not limited to the warranty expressed therein.

Except as expressly indicated in writing, Vishay products are not designed for use in medical, life-saving, or life-sustaining applications or for any other application in which the failure of the Vishay product could result in personal injury or death. Customers using or selling Vishay products not expressly indicated for use in such applications do so at their own risk. Please contact authorized Vishay personnel to obtain written terms and conditions regarding products designed for such applications.

No license, express or implied, by estoppel or otherwise, to any intellectual property rights is granted by this document or by any conduct of Vishay. Product names and markings noted herein may be trademarks of their respective owners.

Material Category Policy

Vishay Intertechnology, Inc. hereby certifies that all its products that are identified as RoHS-Compliant fulfill the definitions and restrictions defined under Directive 2011/65/EU of The European Parliament and of the Council of June 8, 2011 on the restriction of the use of certain hazardous substances in electrical and electronic equipment (EEE) - recast, unless otherwise specified as non-compliant.

Please note that some Vishay documentation may still make reference to RoHS Directive 2002/95/EC. We confirm that all the products identified as being compliant to Directive 2002/95/EC conform to Directive 2011/65/EU.

Vishay Intertechnology, Inc. hereby certifies that all its products that are identified as Halogen-Free follow Halogen-Free requirements as per JEDEC JS709A standards. Please note that some Vishay documentation may still make reference to the IEC 61249-2-21 definition. We confirm that all the products identified as being compliant to IEC 61249-2-21 conform to JEDEC JS709A standards.



Стандарт Электрон Связь

Мы молодая и активно развивающаяся компания в области поставок электронных компонентов. Мы поставляем электронные компоненты отечественного и импортного производства напрямую от производителей и с крупнейших складов мира.

Благодаря сотрудничеству с мировыми поставщиками мы осуществляем комплексные и плановые поставки широчайшего спектра электронных компонентов.

Собственная эффективная логистика и склад в обеспечивает надежную поставку продукции в точно указанные сроки по всей России.

Мы осуществляем техническую поддержку нашим клиентам и предпродажную проверку качества продукции. На все поставляемые продукты мы предоставляем гарантию .

Осуществляем поставки продукции под контролем ВП МО РФ на предприятия военно-промышленного комплекса России , а также работаем в рамках 275 ФЗ с открытием отдельных счетов в уполномоченном банке. Система менеджмента качества компании соответствует требованиям ГОСТ ISO 9001.

Минимальные сроки поставки, гибкие цены, неограниченный ассортимент и индивидуальный подход к клиентам являются основой для выстраивания долгосрочного и эффективного сотрудничества с предприятиями радиоэлектронной промышленности, предприятиями ВПК и научно-исследовательскими институтами России.

С нами вы становитесь еще успешнее!

Наши контакты:

Телефон: +7 812 627 14 35

Электронная почта: sales@st-electron.ru

Адрес: 198099, Санкт-Петербург,
Промышленная ул, дом № 19, литера Н,
помещение 100-Н Офис 331