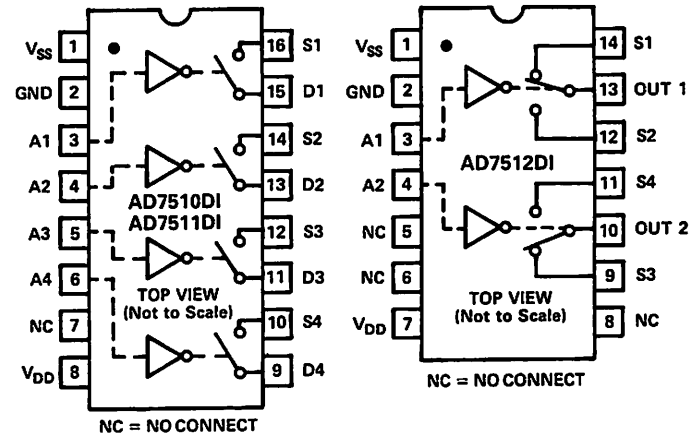


### FEATURES

**Latch-Proof**  
**Overvoltage-Proof:  $\pm 25V$**   
**Low  $R_{ON}$ :  $75\Omega$**   
**Low Dissipation:  $3mW$**   
**TTL/CMOS Direct Interface**  
**Silicon-Nitride Passivated**  
**Monolithic Dielectrically-Isolated CMOS**  
**Standard 14-/16-Pin DIPs and**  
**20-Terminal Surface Mount Packages**  
 AD7510 and AD7512 are obsolete

### DIP FUNCTIONAL DIAGRAMS



### GENERAL DESCRIPTION

The AD7510DI, AD7511DI and AD7512DI are a family of latch proof dielectrically isolated CMOS switches featuring overvoltage protection up to  $\pm 25V$  above the power supplies. These benefits are obtained without sacrificing the low "ON" resistance ( $75\Omega$ ) or low leakage current ( $500pA$ ), the main features of an analog switch.

The AD7510DI and AD7511DI consist of four independent SPST analog switches packaged in either a 16-pin DIP or a 20-terminal surface mount package. They differ only in that the digital control logic is inverted. The AD7512DI has two independent SPDT switches packaged either in a 14-pin DIP or a 20-terminal surface mount package.

Very low power dissipation, overvoltage protection and TTL/CMOS direct interfacing are achieved by combining a unique circuit design and a dielectrically isolated CMOS process. Silicon nitride passivation ensures long term stability while monolithic construction provides reliability.

The AD7510 and AD7512 are no longer available.

### CONTROL LOGIC

AD7510DI: Switch "ON" for Address "HIGH"  
 AD7511DI: Switch "ON" for Address "LOW"  
 AD7512DI: Address "HIGH" makes S1 to Out 1 and S3 to Out 2

REV. B

[Document Feedback](#)

Information furnished by Analog Devices is believed to be accurate and reliable. However, no responsibility is assumed by Analog Devices for its use, nor for any infringements of patents or other rights of third parties which may result from its use. No license is granted by implication or otherwise under any patent or patent rights of Analog Devices.

One Technology Way, P.O. Box 9106, Norwood, MA 02062-9106, U.S.A.  
 Tel: 617/329-4700 Fax: 617/326-8703 Twx: 710/394-6577  
 Telex: 924491 Cable: ANALOG NORWOODMASS

# AD7511

# — SPECIFICATIONS

( $V_{DD} = +15V$ ,  $V_{SS} = -15V$ , unless otherwise noted.)

## INDUSTRIAL VERSION (K)

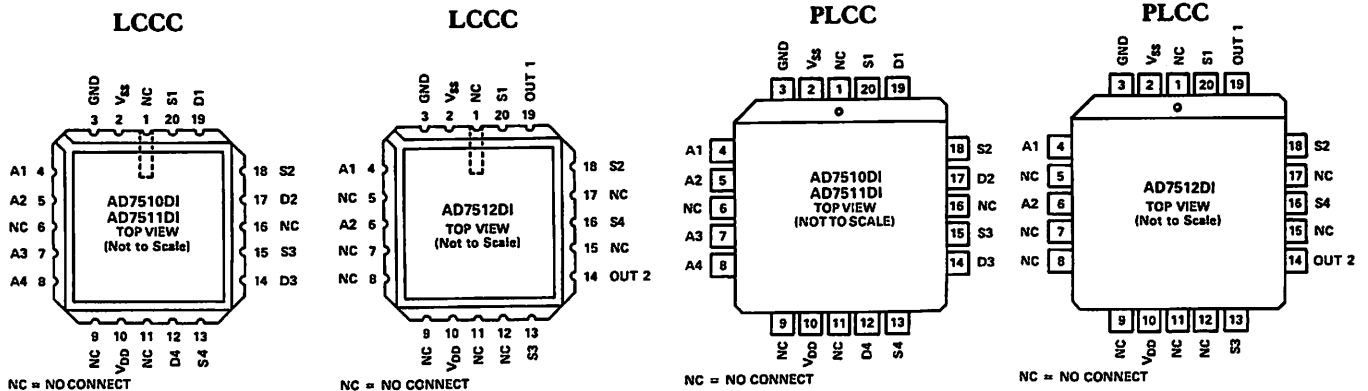
PARAMETER	MODEL	VERSION	+25°C (N, P, Q)	0 to +70°C (N, P) -25°C to +85°C (Q)	TEST CONDITIONS
<b>ANALOG SWITCH</b>					
$R_{ON}^1$	All	K	75Ω typ, 100Ω max	175Ω max	$-10V \leq V_D \leq +10V$ $I_{DS} = 1.0mA$
$R_{ON}$ vs $V_D$ ( $V_S$ )	All	K	20% typ		
$R_{ON}$ Drift	All	K	+0.5%/°C typ		$V_D = 0$ , $I_{DS} = 1.0mA$
$R_{ON}$ Match	All	K	1% typ		
$R_{ON}$ Drift Match	All	K	0.01%/°C typ		
$I_D$ (IS)OFF <sup>1</sup>	All	K	0.5nA typ, 5nA max	500nA max	$V_D = -10V$ , $V_S = +10V$ and $V_D = +10V$ , $V_S = -10V$
$I_D$ (IS)ON <sup>1</sup>	All	K	10nA max		$V_S = V_D = +10V$ $V_S = V_D = -10V$
$I_{OUT}^1$	AD7512DI	K	15nA max	1500nA max	$V_{S1} = V_{OUT} = \pm 10V$ , $V_{S2} = \mp 10V$ and $V_{S2} = V_{OUT} = \pm 10V$ , $V_{S1} = \mp 10V$
<b>DIGITAL CONTROL</b>					
$V_{INL}^1$	All	K		0.8V max	
$V_{INH}^1$	All	K		2.4V min	
$C_{IN}$	All	K	7pF typ		
$I_{INH}^1$	All	K	10nA max		$V_{IN} = V_{DD}$
$I_{INL}^1$	All	K	10nA max		$V_{IN} = 0$
<b>DYNAMIC CHARACTERISTICS</b>					
$t_{ON}$	AD7510DI AD7511DI	K	180ns typ 350ns typ		$V_{IN} = 0$ to +3.0V
$t_{OFF}$	AD7510DI AD7511DI	K	350ns typ 180ns typ		
$t_{TRANSITION}$	AD7512DI	K	300ns typ		
$C_S$ ( $C_D$ )OFF	All	K	8pF typ		
$C_S$ ( $C_D$ )ON	All	K	17pF typ		$V_D$ ( $V_S$ ) = 0V
$C_{DS}$ ( $C_{S-OUT}$ )	All	K	1pF typ		
$C_{DD}$ ( $C_{SS}$ )	All	K	0.5pF typ		
$C_{OUT}$	AD7512DI	K	17pF typ		
$Q_{NJ}$	All	K	30pC typ		Measured at S or D terminal. $C_L = 1000pF$ , $V_{IN} = 0$ to 3V, $V_D$ ( $V_S$ ) = +10V to -10V
<b>POWER SUPPLY</b>					
$I_{DD}^1$	All	K	800μA max	800μA max	All digital inputs = $V_{INH}$
$I_{SS}^1$	All	K	800μA max	800μA max	
$I_{DD}^1$	All	K	500μA max	500μA max	All digital inputs = $V_{INL}$
$I_{SS}^1$	All	K	500μA max	500μA max	

### NOTES

<sup>1</sup>100% tested.

Specifications subject to change without notice.

## PIN CONFIGURATIONS



## EXTENDED VERSIONS (S, T)

PARAMETER	MODEL	VERSION	+25°C	-55°C to +125°C	TEST CONDITIONS
<b>ANALOG SWITCH</b>					
$R_{ON}^1$	All	S, T	100Ω max	175Ω max	$-10V \leq V_D \leq +10V$ $I_{DS} = 1mA$
$I_D (I_S)_{OFF}^1$	All	S, T	3nA max	200nA max	$V_D = -10V, V_S = +10V$ and $V_D = +10V, V_S = -10V$
$I_D (I_S)_{ON}^1$	All	S, T	10		$V_S = V_D = +10V$ and $V_S = V_D = -10V$
$I_{OUT}^1$	AD7512DI	S, T	9nA max	600nA max	$V_{S1} = V_{OUT} = \pm 10V$ $V_{S2} = \mp 10V$ and $V_{S2} = V_{OUT} = \pm 10V$ $V_{S1} = \mp 10V$
<b>DIGITAL CONTROL</b>					
$V_{INL}^1$	All	S, T		0.8V max	
$V_{INH}^{1,2}$	AD7510DI	S		2.4V min	
	AD7511DI	T		2.4V min	
	AD7512DI	T		2.4V min	
	AD7511DI	S		3.0V min	
	AD7512DI	S		3.0V min	
$I_{INH}^1$	All	S, T	10nA max		$V_{IN} = V_{DD}$
$I_{INL}^1$	All	S, T	10nA max		$V_{IN} = 0$
<b>DYNAMIC CHARACTERISTICS</b>					
$t_{ON}^3$	AD7510DI	S,	1.0μs max		$V_{IN} = 0$ to +3V
	AD7511DI	S, T	1.0μs max		
$t_{OFF}^3$	AD7510DI	S, T	1.0μs max		
	AD7511DI	S, T	1.0μs max		
$t_{TRANSITION}^3$	AD7512DI	S, T	1.0μs max		
<b>POWER SUPPLY</b>					
$I_{DD}^1$	All	S, T		800μA max	All digital inputs = $V_{INH}$
$I_{SS}^1$	All	S, T		800μA max	
$I_{DD}^1$	All	S, T		500μA max	All digital inputs = $V_{INL}$
$I_{SS}^1$	All	S, T		500μA max	

## NOTES

<sup>1</sup> 100% tested.<sup>2</sup> A pullup resistor, typically 1-2kΩ is required to make AD7511DISQ and AD7512DISQ TTL compatible.<sup>3</sup> Guaranteed, not production tested.

Specifications subject to change without notice.

## ABSOLUTE MAXIMUM RATINGS\*

$V_{DD}$ to GND	+17V
$V_{SS}$ to GND	-17V
Overvoltage at $V_D (V_S)$	
(1 second surge)	$V_{DD} + 25V$ or $V_{SS} - 25V$
(Continuous)	$V_{DD} + 20V$ or $V_{SS} - 20V$ or 20mA, Whichever Occurs First
Switch Current ( $I_{DS}$ , Continuous)	50mA
Switch Current ( $I_{DS}$ , Surge)	
1ms Duration, 10% Duty Cycle	150mA
Digital Input Voltage Range	0V to $V_{DD} + 0.3V$
Power Dissipation (Any Package)	
Up to +75°C	450mW
Derates above +75°C by	6mW/°C

Lead Temperature (Soldering, 10sec)	+300°C
Storage Temperature	-65°C to +150°C
Operating Temperature	
Commercial (KN, KP Versions)	0 to +70°C
Industrial (KQ Versions)	-25°C to +85°C
Extended (SQ, TQ, SE, TE Versions)	-55°C to +125°C

\*Stresses above those listed under "Absolute Maximum Ratings" may cause permanent damage to the device. This is a stress rating only and functional operation of the device at these or any other conditions above those indicated in the operational sections of this specification is not implied. Exposure to absolute maximum rating conditions for extended periods may affect device reliability.

## CAUTION

ESD (electrostatic discharge) sensitive device. The digital control inputs are diode protected; however, permanent damage may occur on unconnected devices subject to high energy electrostatic fields. Unused devices must be stored in conductive foam or shunts. The protective foam should be discharged to the destination socket before devices are removed.



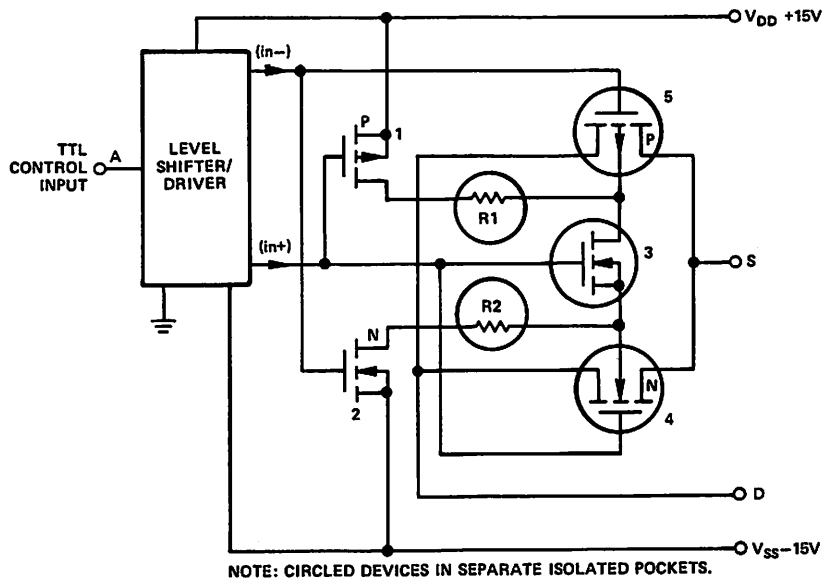


Figure 1. Typical Output Switch Circuitry of AD7510DI Series

### CIRCUIT DESCRIPTION

CMOS devices make excellent analog switches; however, problems with overvoltage and latch-up phenomenon necessitated protection circuitry. These protection circuits, however, either caused degradation of important switch parameters such as  $R_{ON}$  or leakage, or provided only limited protection in the event of overvoltage.

The AD7510DI series switches utilize a dielectrically isolated CMOS fabrication process to eliminate the four-layer substrate found in junction-isolated CMOS, thus providing latch-free operation.

A typical switch channel is shown in Figure 2. The output switching element is comprised of device numbers 4 and 5. Operation is as follows: for an "ON" switch, (in+) is  $V_{DD}$  and (in-) is  $V_{SS}$  from the driver circuits. Device numbers 1 and 2 are "OFF" and number 3 is "ON". Hence, the backgates of the P- and N-channel output devices (numbers 4 and 5) are tied together and floating. The circled devices are located in separate dielectrically isolated pockets. Floating the output switch backgates with the signal input increases the effective threshold voltage for an applied analog signal, thus providing a flatter  $R_{ON}$  versus  $V_S$  response.

For an "OFF" switch, device number 3 is "OFF," and the backgates of devices 4 and 5 are tied through  $1k\Omega$  resistors (R1 and R2) to the respective supply voltages through the "ON" devices 1 and 2.

If a voltage is applied to the S or D (OUT) terminal which exceeds  $V_{DD}$  or  $V_{SS}$ , the S- or D-to-backgate diode is forward biased; however, R1 and R2 provide current limiting action to the supplies.

An equivalent circuit of the output switch element in Figure 3 shows that, indeed, the  $1k\Omega$  limiting resistors are in series with the backgates of the P- and N-channel output devices – *not* in series with the signal path between the S and D terminals.

It is possible to turn on an "OFF" switch by applying a voltage in excess of  $V_{DD}$  or  $V_{SS}$  to the S or D terminal. If a positive stress voltage is applied to the S or D terminal which exceeds  $V_{DD}$  by a threshold, then the P-channel (device 5) will turn on creating a low impedance path between the S and D terminals. A similar situation exists for negative stress voltages which exceed  $V_{SS}$ . In this case the N-channel provides the low impedance path between the S and D terminals. The limiting factor on the overvoltage protection is the power dissipation of the package and is  $\pm 20V$  continuous (or 20mA whichever occurs first) above the supply voltages.

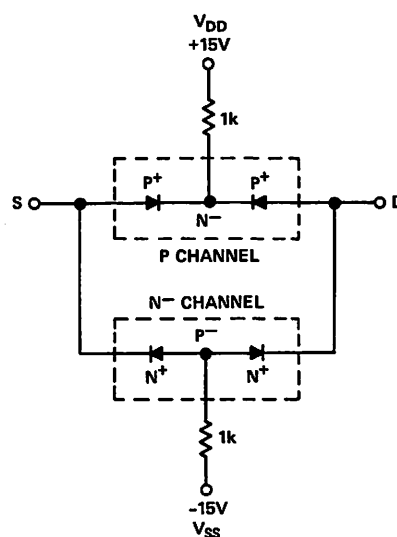
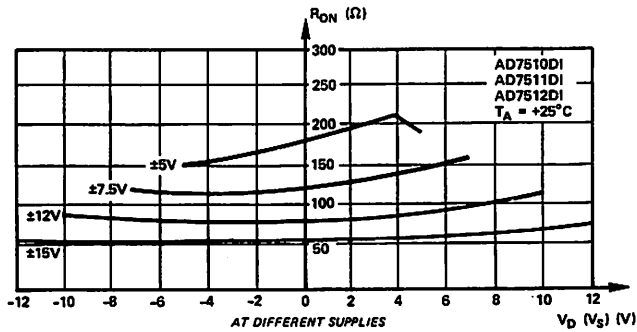
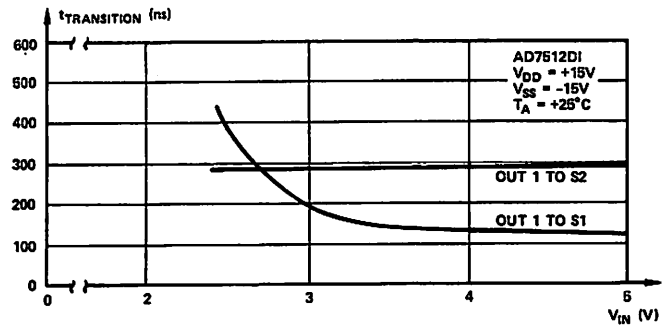


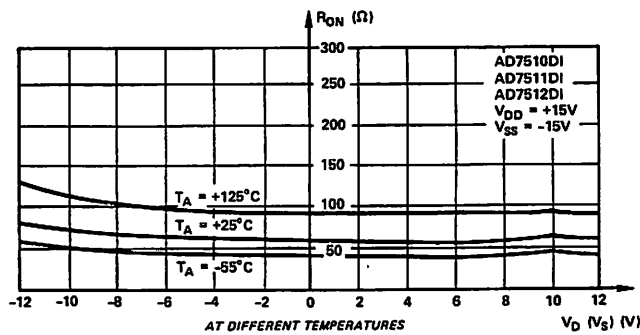
Figure 2. AD7510DI Series Output Switch Diode Equivalent Circuit



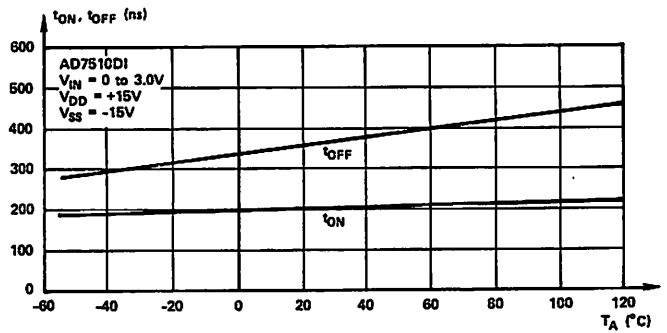
$R_{ON}$  as a Function of  $V_D$  ( $V_S$ )



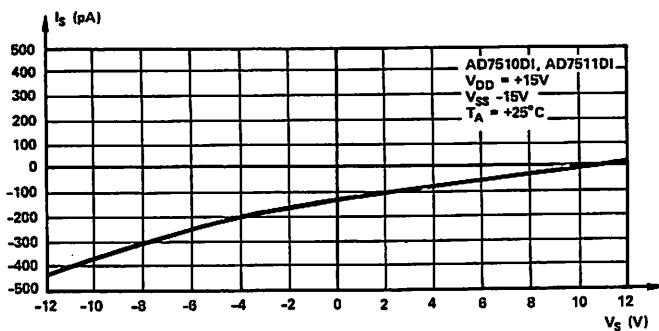
$t_{TRANSITION}$  as a Function of Digital Input Voltage



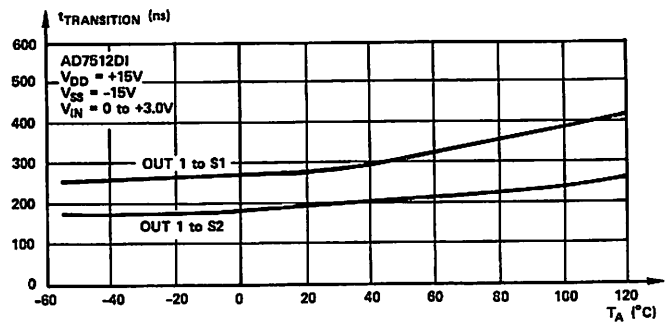
$R_{ON}$  as a Function of  $V_D$  ( $V_S$ )



$t_{ON}$ ,  $t_{OFF}$  as a Function of Temperature



$I_S$  ( $I_D$ ) $_{OFF}$  vs  $V_S$

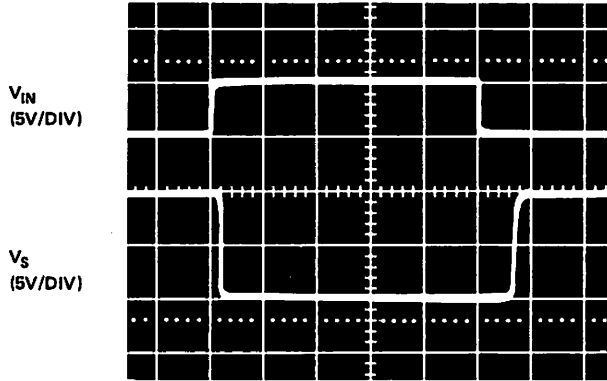


$t_{TRANSITION}$  as a Function of Temperature

TYPICAL SWITCHING CHARACTERISTICS

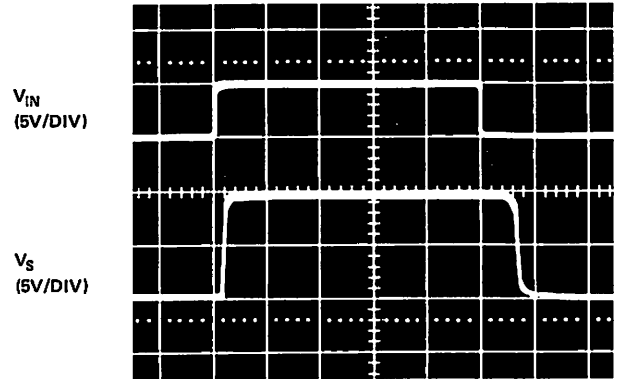
AD7510DI, AD7511DI

0.5 $\mu$ s/DIV



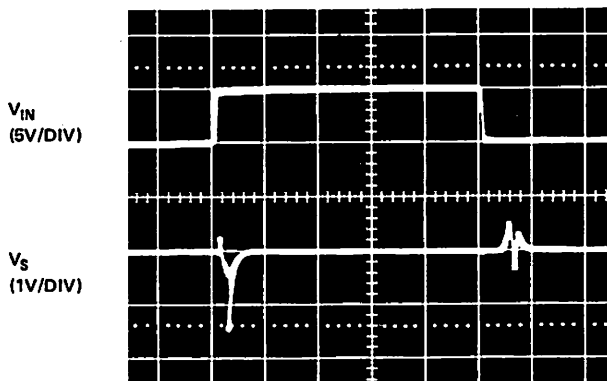
Switching Waveforms for  $V_D = -10V$

0.5 $\mu$ s/DIV



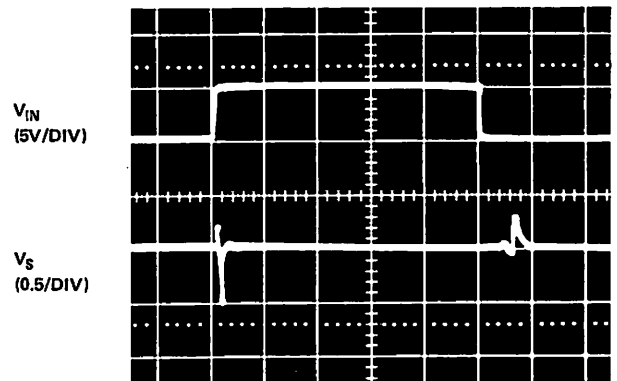
Switching Waveforms for  $V_D = +10V$

0.5 $\mu$ s/DIV



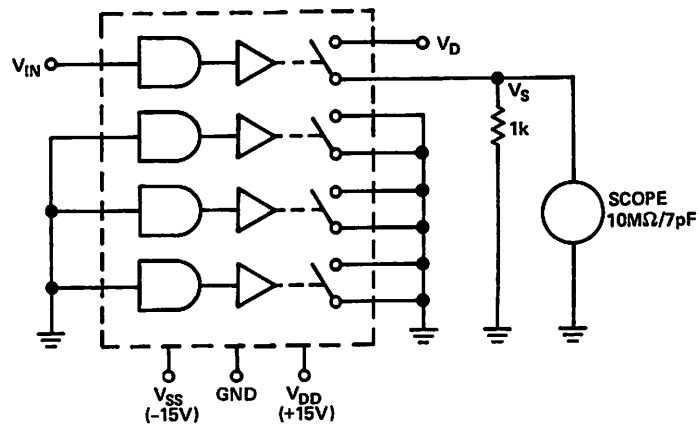
Switching Waveforms for  $V_D = \text{Open}$

0.5 $\mu$ s/DIV

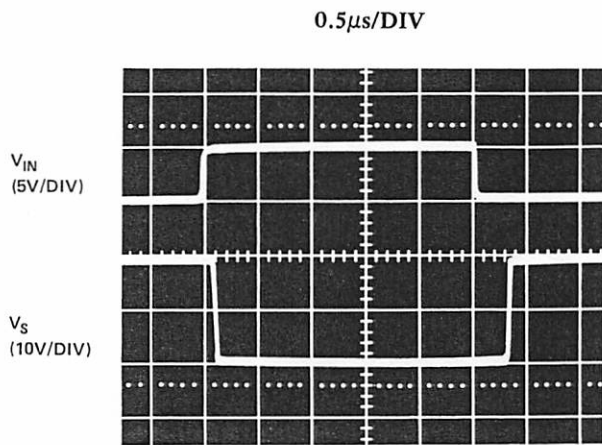


Switching Waveforms for  $V_D = 0V$

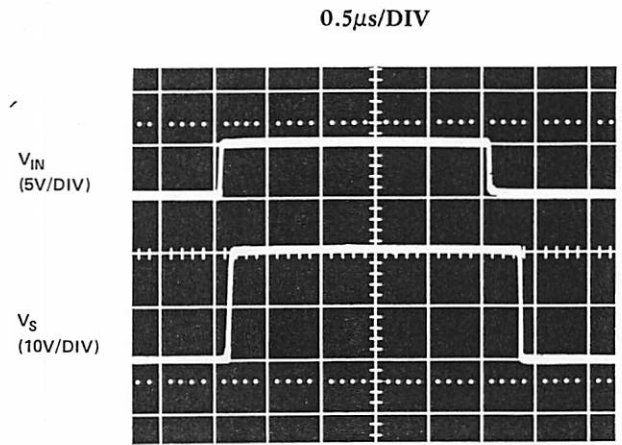
AD7510DI, AD7511DI TEST CIRCUIT



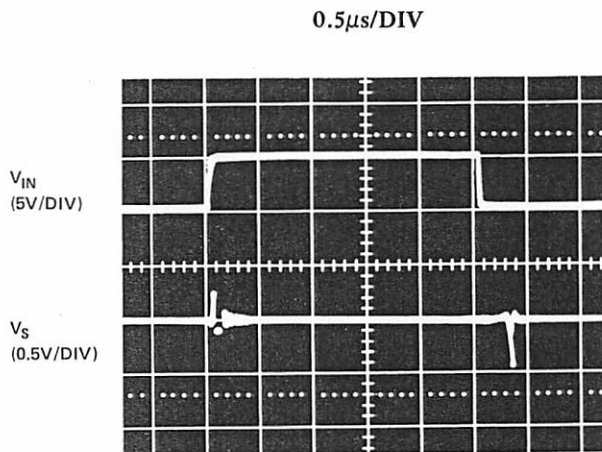
AD7512DI



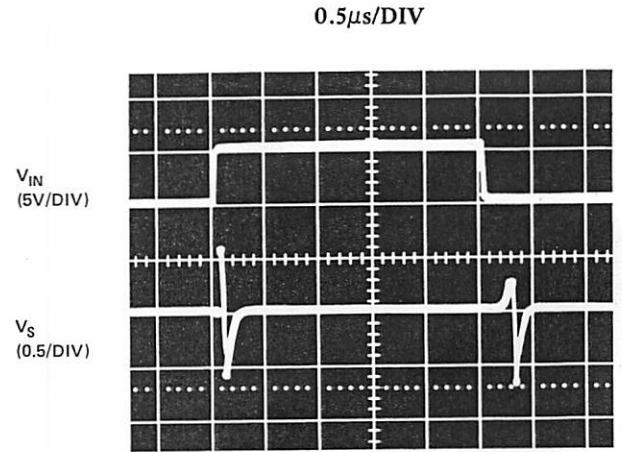
Switching Waveforms for  
 $V_{S1} = -10V, V_{S2} = +10V, R_L = 1k$



Switching Waveforms for  
 $V_{S1} = +10V, V_{S2} = -10V, R_L = \infty$

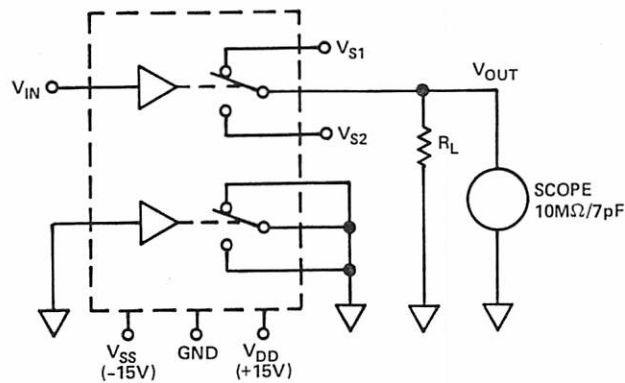


Switching Waveforms for  
 $V_{S1}$  and  $V_{S2} = 0V, R_L = \infty$



Switching Waveforms for  
 $V_{S1}$  and  $V_{S2} = \text{Open}, R_L = 1k$

AD7512DI TEST CIRCUIT



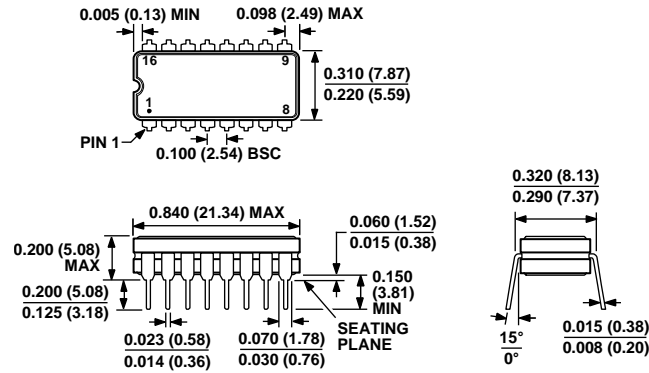
# AD7511

## TERMINOLOGY

$R_{ON}$	Ohmic resistance between terminals D and S.	$C_{DD}(C_{SS})$	Capacitance between terminals D (S) of any two switches. (This will determine the cross coupling between switches vs. frequency.)
$R_{ON}$ Drift Match	Difference between the $R_{ON}$ drift of any two switches.	$t_{ON}$	Delay time between the 50% points of the digital input and switch "ON" condition.
$R_{ON}$ Match	Difference between the $R_{ON}$ of any two switches.	$t_{OFF}$	Delay time between the 50% points of the digital input and switch "OFF" condition.
$I_D(I_S)_{OFF}$	Current at terminals D or S. This is a leakage current when the switch is "OFF".	$t_{TRANSITION}$	Delay time when switching from one address state to another.
$I_D(I_S)_{ON}$	Leakage current that flows from the closed switch into the body. (This leakage will show up as the difference between the current $I_D$ going into the switch and the outgoing current $I_S$ .)	$V_{INL}$	Maximum input voltage for a logic low.
$V_D(V_S)$	Analog voltage on terminal D (S).	$V_{INH}$	Minimum input voltage for a logic high.
$C_S(C_D)$	Capacitance between terminal S (D) and ground. (This capacitance is specified for the switch open and closed.)	$I_{INL}(I_{INH})$	Input current of the digital input.
$C_{DS}$	Capacitance between terminals D and S. (This will determine the switch isolation over frequency.)	$C_{IN}$	Input capacitance to ground of the digital input.
		$V_{DD}$	Most positive voltage supply.
		$V_{SS}$	Most negative voltage supply.
		$I_{DD}$	Positive supply current.
		$I_{SS}$	Negative supply current.



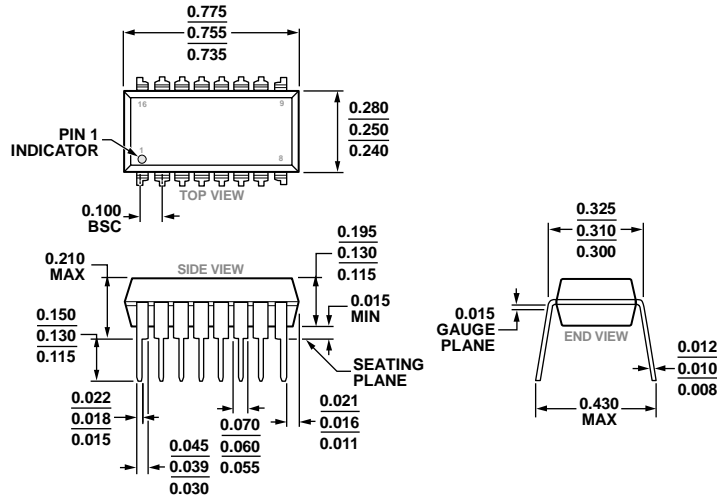
# OUTLINE DIMENSIONS



CONTROLLING DIMENSIONS ARE IN INCHES; MILLIMETER DIMENSIONS (IN PARENTHESES) ARE ROUNDED-OFF INCH EQUIVALENTS FOR REFERENCE ONLY AND ARE NOT APPROPRIATE FOR USE IN DESIGN.

Figure 3. 16-Lead Ceramic Dual In-Line Package [CERDIP] (Q-16)

Dimensions shown in inches and (millimeters)



COMPLIANT TO JEDEC STANDARDS MS-001-BB

Figure 4. 16-Lead Plastic Dual In-Line Package [PDIP] Narrow Body (N-16)

Dimensions shown in inches

03-07-2014-D

## ORDERING GUIDE

Model <sup>1,2</sup>	Temperature Range	Package Description	Package Option
AD7511DIJN	0°C to 70°C	16-Lead Plastic Dual In-Line Package [PDIP]	N-16
AD7511DIJNZ	0°C to 70°C	16-Lead Plastic Dual In-Line Package [PDIP]	N-16
AD7511DIKNZ	0°C to 70°C	16-Lead Plastic Dual In-Line Package [PDIP]	N-16
AD7511DIKQ	-25°C to +85°C	16-Lead Ceramic Dual In-Line Package [CERDIP]	Q-16
AD7511DISQ/883B	-55°C to +125°C	16-Lead Ceramic Dual In-Line Package [CERDIP]	Q-16

<sup>1</sup> Z = RoHS Compliant Part.

<sup>2</sup> AD7511DISQ/883B is a MIL-STD-883, Class B, processed part.

## REVISION HISTORY

12/2016—Rev. A to Rev. B

Added AD7510 and AD7512 Obsolete Note.....	1
Updated Outline Dimensions .....	9
Changes to Ordering Guide.....	9



## Стандарт Электрон Связь

Мы молодая и активно развивающаяся компания в области поставок электронных компонентов. Мы поставляем электронные компоненты отечественного и импортного производства напрямую от производителей и с крупнейших складов мира.

Благодаря сотрудничеству с мировыми поставщиками мы осуществляем комплексные и плановые поставки широчайшего спектра электронных компонентов.

Собственная эффективная логистика и склад в обеспечивает надежную поставку продукции в точно указанные сроки по всей России.

Мы осуществляем техническую поддержку нашим клиентам и предпродажную проверку качества продукции. На все поставляемые продукты мы предоставляем гарантию .

Осуществляем поставки продукции под контролем ВП МО РФ на предприятия военно-промышленного комплекса России , а также работаем в рамках 275 ФЗ с открытием отдельных счетов в уполномоченном банке. Система менеджмента качества компании соответствует требованиям ГОСТ ISO 9001.

Минимальные сроки поставки, гибкие цены, неограниченный ассортимент и индивидуальный подход к клиентам являются основой для выстраивания долгосрочного и эффективного сотрудничества с предприятиями радиоэлектронной промышленности, предприятиями ВПК и научно-исследовательскими институтами России.

С нами вы становитесь еще успешнее!

### Наши контакты:

**Телефон:** +7 812 627 14 35

**Электронная почта:** [sales@st-electron.ru](mailto:sales@st-electron.ru)

**Адрес:** 198099, Санкт-Петербург,  
Промышленная ул, дом № 19, литера Н,  
помещение 100-Н Офис 331