



ON Semiconductor®

<http://onsemi.com>

# LV8411GR

## Bi-CMOS LSI For DSC, and Cell Phone Camera Modules 4-channel Single-chip Motor Driver IC

### Overview

The LV8411GR is an H bridge motor driver IC and is able to control 4 modes of forward, reverse, brake, and standby. This IC housed in a miniature package is optimum for use in a stepping motor driving system for DSC or a camera module of cell phones.

### Features

- Saturation drive H bridge: 4 channels
- Built-in thermal protection circuit
- Built-in low voltage malfunction prevention circuit
- Incorporates a transistor for driving photosensors

### Specifications

#### Absolute Maximum Ratings at Ta = 25°C

Parameter	Symbol	Conditions	Ratings	Unit
Power supply voltage 1	V <sub>M</sub> max		6.0	V
Power supply voltage 2	V <sub>CC</sub> max		6.0	V
Output peak current	I <sub>O</sub> peak	Channels 1 to 4, t ≤ 10msec, ON-duty ≤ 20%	600	mA
Output continuous current 1	I <sub>O</sub> max1	Channels 1 to 4	400	mA
Output continuous current 2	I <sub>O</sub> max2	PI1	30	mA
Allowable power dissipation	P <sub>d</sub> max	Mounted on a circuit board*	1.05	W
Operating temperature	T <sub>opr</sub>		-40 to +85	°C
Storage temperature	T <sub>stg</sub>		-55 to +150	°C

\* Specified circuit board : 40mm×50mm×0.8mm : glass epoxy four-layer board

Caution 1) Absolute maximum ratings represent the value which cannot be exceeded for any length of time.

Caution 2) Even when the device is used within the range of absolute maximum ratings, as a result of continuous usage under high temperature, high current, high voltage, or drastic temperature change, the reliability of the IC may be degraded. Please contact us for the further details.

Stresses exceeding Maximum Ratings may damage the device. Maximum Ratings are stress ratings only. Functional operation above the Recommended Operating Conditions is not implied. Extended exposure to stresses above the Recommended Operating Conditions may affect device reliability.

# LV8411GR

## Recommended Operating Conditions at Ta = 25°C

Parameter	Symbol	Conditions	Ratings	Unit
Power supply voltage range 1	V <sub>M</sub>		2.5 to 5.5	V
Power supply voltage range 2	V <sub>CC</sub>		2.5 to 5.5	V
Logic input voltage range	V <sub>IN</sub>		0 to V <sub>CC</sub> +0.3	V
Input frequency	f <sub>IN</sub>	IN1 to 8, INA	to 100	kHz

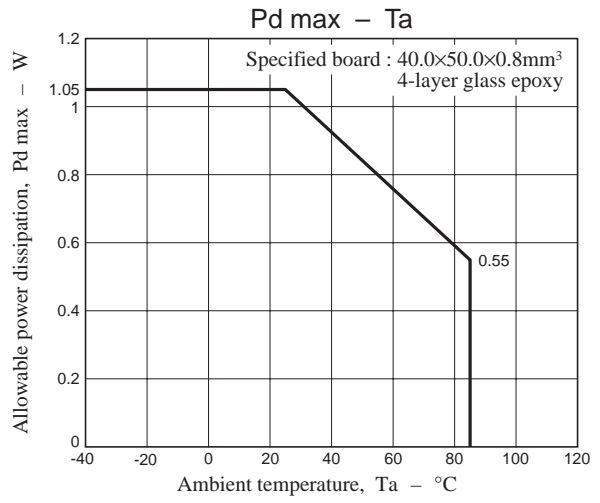
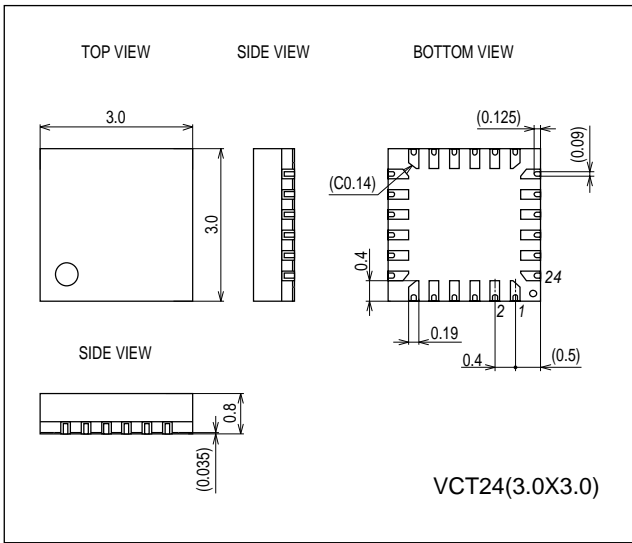
## Electrical Characteristics at Ta = 25°C, V<sub>M</sub> = 5V, V<sub>CC</sub> = 3.3V, unless otherwise specified.

Parameter	Symbol	Conditions	Ratings			Unit
			min	typ	max	
Standby mode current drain	I <sub>stn</sub>	IN1 to 8 = "L"			1.0	μA
VM current drain	I <sub>M</sub>	IN1 = "H", IM1 + IM2, with no load	50	100	200	μA
V <sub>CC</sub> current drain	I <sub>CC</sub>	IN1 = "H"	0.3	0.6	1.2	mA
V <sub>CC</sub> low-voltage cutoff voltage	V <sub>thV<sub>CC</sub></sub>		2.0	2.25	2.5	V
Low-voltage hysteresis voltage	V <sub>thHIS</sub>		100	150	200	mV
Thermal shutdown temperature	TSD	Design guarantee value *	160	180	200	°C
Thermal hysteresis width	ΔTSD	Design guarantee value *	10	30	50	°C
<b>OUT1 to 8</b>						
Logic pin internal pull-down resistance	R <sub>in</sub>	IN1 to 8	50	100	200	kΩ
Logic pin input current	I <sub>inL</sub>	V <sub>IN</sub> = 0V, IN1 to 8			1.0	μA
	I <sub>inH</sub>	V <sub>IN</sub> = 3.3V, IN1 to 8	16.5	33	60	μA
Logic input high-level voltage	V <sub>inh</sub>	IN1 to 8	2.5			V
Logic input low-level voltage	V <sub>inl</sub>	IN1 to 8			1.0	V
Output on-resistance	R <sub>onU</sub>	I <sub>O</sub> = 400mA, upper ON resistance		0.75	0.9	Ω
	R <sub>onD</sub>	I <sub>O</sub> = 400mA, lower ON resistance		0.45	0.6	Ω
Output leakage current	I <sub>Oleak</sub>				1.0	μA
Diode forward voltage	V <sub>D</sub>	ID = -400mA	0.7	0.9	1.2	V
<b>PI1</b>						
Logic pin internal pull-down resistance	R <sub>in</sub>	INA	50	100	200	kΩ
Logic pin input current	I <sub>inL</sub>	V <sub>IN</sub> = 0V, INA			1.0	μA
	I <sub>inH</sub>	V <sub>IN</sub> = 3.3V, INA	16.5	33	60	μA
Logic input high-level voltage	V <sub>inh</sub>	INA	2.5			V
Logic input low-level voltage	V <sub>inl</sub>	INA			1.0	V
Output on-resistance	R <sub>on</sub>	I <sub>O</sub> = 10mA		3.0	6.0	Ω
Output leakage current	I <sub>Oleak</sub>				1.0	μA

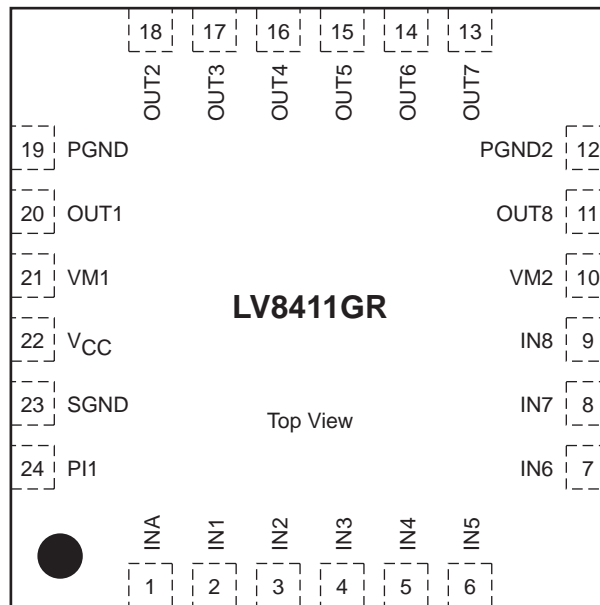
# LV8411GR

## Package Dimensions

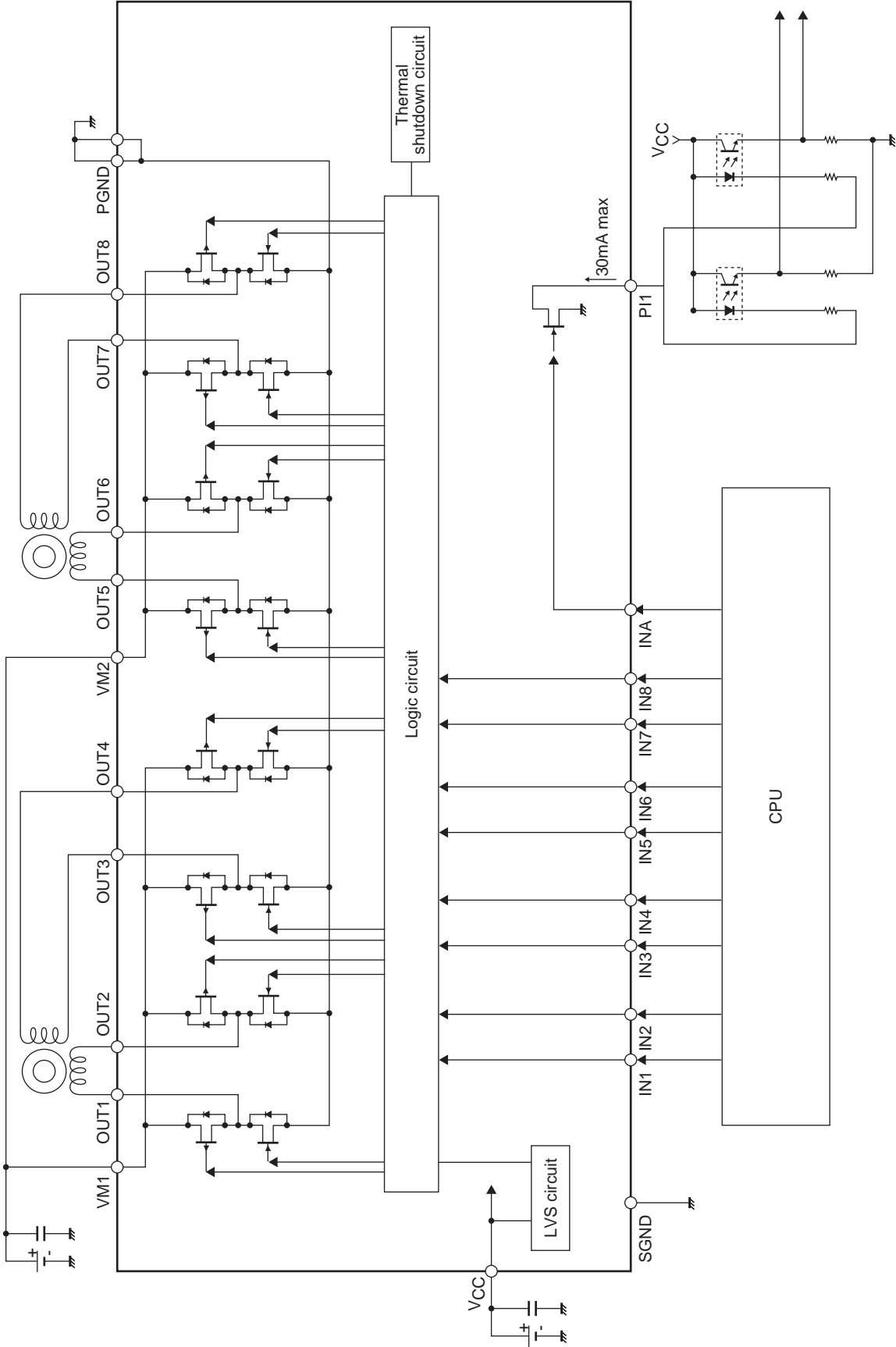
unit : mm (typ)  
3366



## Pin Assignment



Block Diagram



# LV8411GR

## Pin Functions

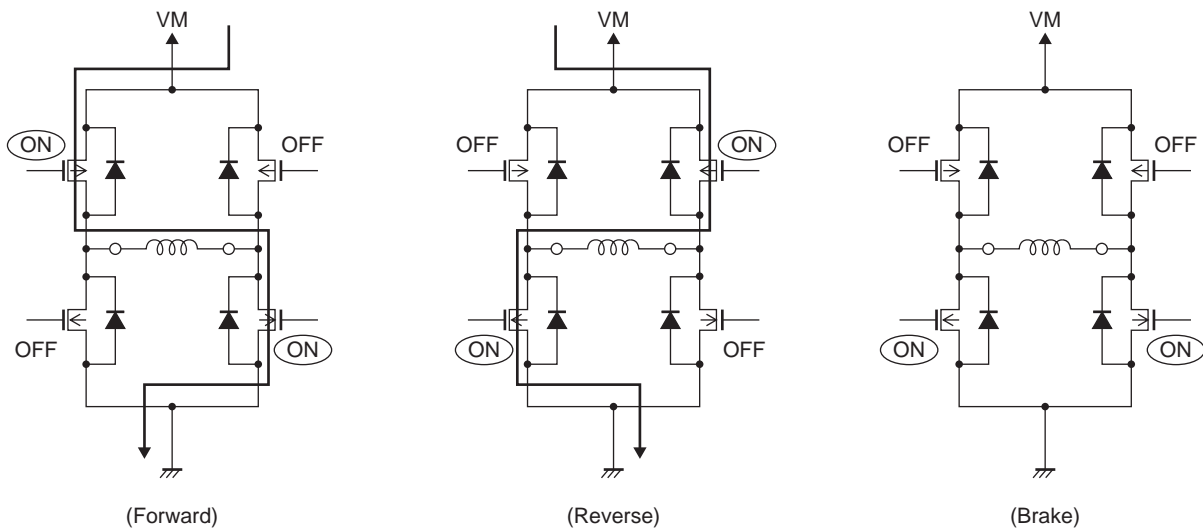
Pin No.	Pin name	Pin Function	Equivalent Circuit
1 2 3 4 5 6 7 8 9	INA IN1 IN2 IN3 IN4 IN5 IN6 IN7 IN8	Control signal input pin (Photo sensor driving transistor) Control signal input pin Control signal input pin Control signal input pin Control signal input pin Control signal input pin Control signal input pin Control signal input pin Control signal input pin	
11 13 14 15 16 17 18 20	OUT8 OUT7 OUT6 OUT5 OUT4 OUT3 OUT2 OUT1	Outpin Outpin Outpin Outpin Outpin Outpin Outpin Outpin	
24	PI1	Photo sensor driving transistor output pin	
22	VCC	Logic system power supply connection pin	
10 21	VM2 VM1	Motor power supply connection pin Motor power supply connection pin	
23	SGND	Signal ground	
12 19	PGND2 PGND1	Power ground Power ground	

## Logic input specifications

- Common channels 1 to 4  
 ch1 : IN1 to IN2, OUT1 to OUT2  
 ch2 : IN3 to IN4, OUT3 to OUT4  
 ch3 : IN5 to IN6, OUT5 to OUT6  
 ch4 : IN7 to IN8, OUT7 to OUT8

Input		Output		Operation mode
IN1	IN2	OUT1	OUT2	
L	L	OFF	OFF	Standby
H	L	H	L	CW (forward)
L	H	L	H	CCW (reverse)
H	H	L	L	Brake

- Current limit control timing chart



- Photo sensor driving transistor

When thermal shutdown and  $V_{CC}$  low-voltage cut circuits are activated, OUT1 through OUT8 are turned OFF under control of the internal circuit. But the output (PI1) of photo sensor driving transistor continues operation.

Input	Photo sensor driving
INA	PI1
L	OFF
H	ON

ON Semiconductor and the ON logo are registered trademarks of Semiconductor Components Industries, LLC (SCILLC). SCILLC owns the rights to a number of patents, trademarks, copyrights, trade secrets, and other intellectual property. A listing of SCILLC's product/patent coverage may be accessed at [www.onsemi.com/site/pdf/Patent-Marking.pdf](http://www.onsemi.com/site/pdf/Patent-Marking.pdf). SCILLC reserves the right to make changes without further notice to any products herein. SCILLC makes no warranty, representation or guarantee regarding the suitability of its products for any particular purpose, nor does SCILLC assume any liability arising out of the application or use of any product or circuit, and specifically disclaims any and all liability, including without limitation special, consequential or incidental damages. "Typical" parameters which may be provided in SCILLC data sheets and/or specifications can and do vary in different applications and actual performance may vary over time. All operating parameters, including "Typicals" must be validated for each customer application by customer's technical experts. SCILLC does not convey any license under its patent rights nor the rights of others. SCILLC products are not designed, intended, or authorized for use as components in systems intended for surgical implant into the body, or other applications intended to support or sustain life, or for any other application in which the failure of the SCILLC product could create a situation where personal injury or death may occur. Should Buyer purchase or use SCILLC products for any such unintended or unauthorized application, Buyer shall indemnify and hold SCILLC and its officers, employees, subsidiaries, affiliates, and distributors harmless against all claims, costs, damages, and expenses, and reasonable attorney fees arising out of, directly or indirectly, any claim of personal injury or death associated with such unintended or unauthorized use, even if such claim alleges that SCILLC was negligent regarding the design or manufacture of the part. SCILLC is an Equal Opportunity/Affirmative Action Employer. This literature is subject to all applicable copyright laws and is not for resale in any manner.

# Mouser Electronics

Authorized Distributor

Click to View Pricing, Inventory, Delivery & Lifecycle Information:

[ON Semiconductor:](#)

[LV8411GR-TE-L-E](#)





## Стандарт Электрон Связь

Мы молодая и активно развивающаяся компания в области поставок электронных компонентов. Мы поставляем электронные компоненты отечественного и импортного производства напрямую от производителей и с крупнейших складов мира.

Благодаря сотрудничеству с мировыми поставщиками мы осуществляем комплексные и плановые поставки широчайшего спектра электронных компонентов.

Собственная эффективная логистика и склад в обеспечивает надежную поставку продукции в точно указанные сроки по всей России.

Мы осуществляем техническую поддержку нашим клиентам и предпродажную проверку качества продукции. На все поставляемые продукты мы предоставляем гарантию .

Осуществляем поставки продукции под контролем ВП МО РФ на предприятия военно-промышленного комплекса России , а также работаем в рамках 275 ФЗ с открытием отдельных счетов в уполномоченном банке. Система менеджмента качества компании соответствует требованиям ГОСТ ISO 9001.

Минимальные сроки поставки, гибкие цены, неограниченный ассортимент и индивидуальный подход к клиентам являются основой для выстраивания долгосрочного и эффективного сотрудничества с предприятиями радиоэлектронной промышленности, предприятиями ВПК и научно-исследовательскими институтами России.

С нами вы становитесь еще успешнее!

### Наши контакты:

**Телефон:** +7 812 627 14 35

**Электронная почта:** [sales@st-electron.ru](mailto:sales@st-electron.ru)

**Адрес:** 198099, Санкт-Петербург,  
Промышленная ул, дом № 19, литера Н,  
помещение 100-Н Офис 331