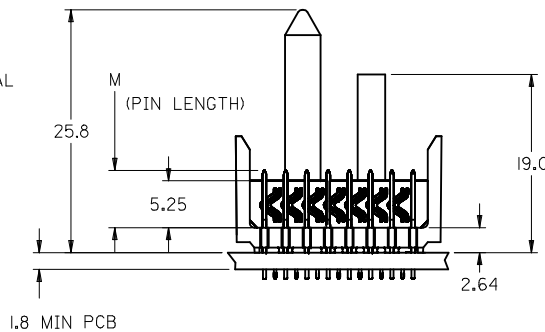
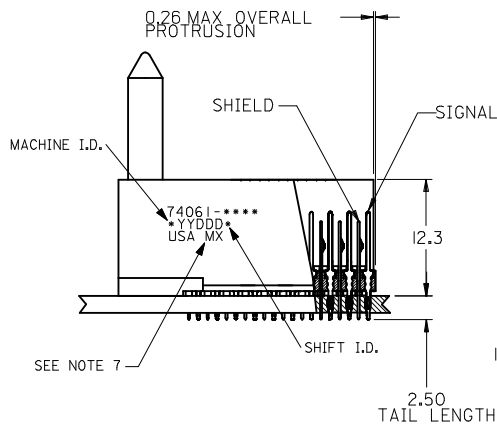


BACKPLANE HOLE PATTERN
RECOMMENDED DIMENSION

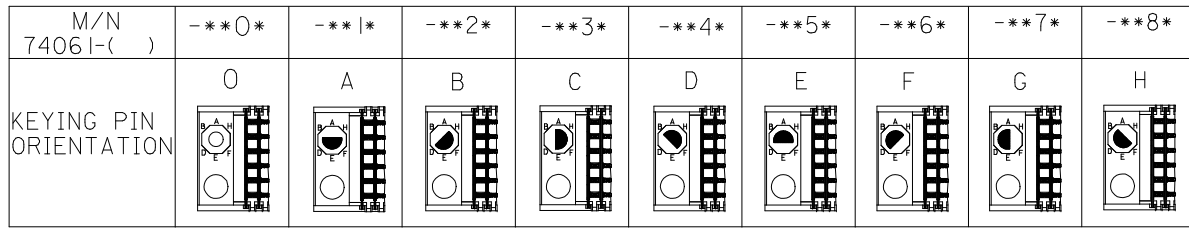


NOTES:

1. MATERIALS:
HOUSING - LIQUID CRYSTAL POLYMER (LCP),
GLASS-FILLED, UL 94V-0, COLOR: BLACK
SIGNAL PIN & SHIELD - COPPER ALLOY
2. FINISHES:
CONTACT AREA: SELECTIVE GOLD (Au)
PCB TAILS: SELECTIVE MATTE TIN (Sn)
NICKEL (Ni) OVERALL.
3. THIS PART CONFORMS TO MOLEX PRODUCT SPECIFICATION PS-74031-999
4. FOR MIXED CONTACT LENGTHS CONSULT MOLEX FOR AVAILABILITY
5. FOR SPECIFIC MATERIAL NUMBERS & MATING INFORMATION REFER TO SHEET 2
6. PACKAGE PER PK-74061-003
7. MARK PART WITH PART NUMBER & DATE CODE APPROXIMATELY WHERE SHOWN
8. MAPS (MOLEX ADVANCED PLATING SYSTEM).

THE PRIMARY CARTON WITH A LABEL STATING "ELV AND RoHS COMPLAINT" IS LEAD FREE. CARTONS WITHOUT THIS LABEL MAY CONTAIN LEAD.

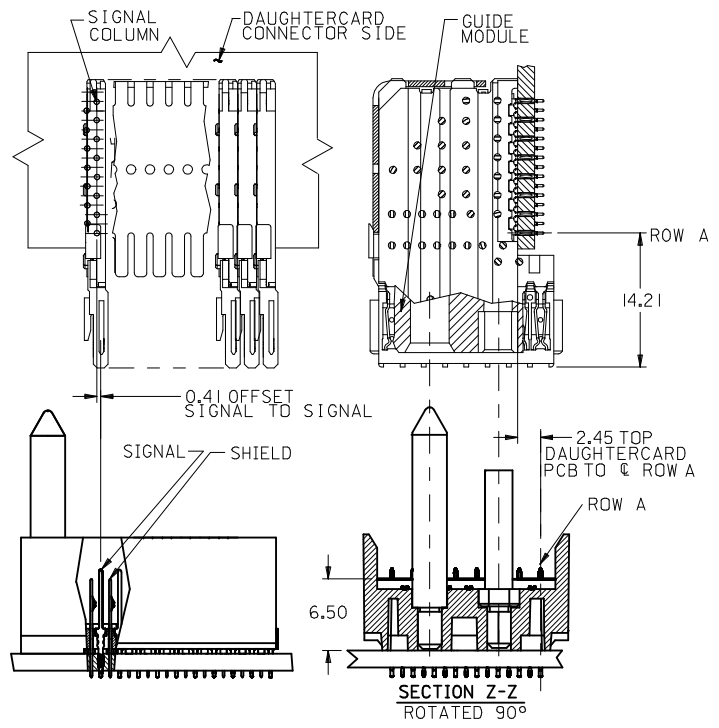
| | | | | | | |
|--|------------------------------------|---------------------------------------|--|---|---|----------------------------|
| LEAD FREE CONVERSION EC NO: UCP2013-0687 DRAWINGS: 2012/08/23 CHKD: MWOLF 2012/11/20 APPR: SMILLER 2012/12/14 REV: | QUALITY SYMBOLS | GENERAL TOLERANCES (UNLESS SPECIFIED) | DIMENSION STYLE MM ONLY | SCALE 2.5:1 | DESIGN UNITS METRIC | THIRD ANGLE PROJECTION |
| | ▽=0 | mm INCH | DRAWN BY DATE JMELTON 2010/05/19 | TITLE | VHDM 8 ROW SIGNAL END BACKPLANE SALES ASSEMBLY molex | SHEET NO. 1 OF 2 |
| | ▽=0 | 4 PLACES ± --- ± --- | CHECKED BY DATE SDANNELLEY 2010/05/19 | SEE SHEET 2 DOCUMENT NO. SD-74061-002 | | |
| | ▽=0 | 3 PLACES ± --- ± --- | APPROVED BY DATE SMILLER 2010/07/14 | | | |
| ▽=0 | 1 PLACE ± --- ± --- 0 PLACE ± ± | MATERIAL NO. | | | | |
| ANGULAR ±1/2° DRAFT WHERE APPLICABLE MUST REMAIN WITHIN DIMENSIONS | | SIZE C | | THIS DRAWING CONTAINS INFORMATION THAT IS PROPRIETARY TO MOLEX INCORPORATED AND SHOULD NOT BE USED WITHOUT WRITTEN PERMISSION | | |



74061 - * * * *

NUMBER OF COLUMNS/PLATING
 10 = 10 COLUMN MATTE TIN (FORMERLY TIN/LEAD)
 12 = 12 COLUMN MATTE TIN (FORMERLY TIN/LEAD)
 25 = 25 COLUMN MATTE TIN (FORMERLY TIN/LEAD)
 60 = 10 COLUMN MATTE TIN (MAPS)
 62 = 12 COLUMN MATTE TIN (MAPS)
 75 = 25 COLUMN MATTE TIN (MAPS)
 90 = 10 COLUMN MATTE TIN
 92 = 12 COLUMN MATTE TIN
 85 = 25 COLUMN MATTE TIN

CONTACT LOAD
 (PIN LENGTH)
 1 & 6 = 4.75
 2 & 7 = 6.25
 3 & 8 = 4.25
 4 & 9 = 5.15



| PART NUMBER | COLUMN | NUMBER OF SIGNAL PIN | NUMBER OF SHIELD | A | B | M | GOLD THICKNESS MICROMETER | TIN THICKNESS MICROMETER |
|-------------------|--------|----------------------|------------------|-------|-------|------|---------------------------|--------------------------|
| 74061-60*1 | 10 | 80 | 10 | 27.00 | 18.00 | 4.75 | 0.25 MAPS | 0.76-1.52 |
| 74061-*0*1 | | | | | | | 0.76 | |
| 74061-*0*6 | | | | | | | 1.27 | |
| 74061-75*1 | 25 | 200 | 25 | 57.00 | 48.00 | 4.75 | 0.25 MAPS | |
| 74061-*5*1 | | | | | | | 0.76 | |
| 74061-*5*6 | | | | | | | 1.27 | |
| 74061-60*2 | 10 | 80 | 10 | 27.00 | 18.00 | 6.25 | 0.25 MAPS | |
| 74061-*0*2 | | | | | | | 0.76 | |
| 74061-*0*7 | | | | | | | 1.27 | |
| 74061-75*2 | 25 | 200 | 25 | 57.00 | 48.00 | 6.25 | 0.25 MAPS | |
| 74061-*5*2 | | | | | | | 0.76 | |
| 74061-*5*7 | | | | | | | 1.27 | |
| 74061-60*3 | 10 | 80 | 10 | 27.00 | 18.00 | 4.25 | 0.25 MAPS | |
| 74061-*0*3 | | | | | | | 0.76 | |
| 74061-*0*8 | | | | | | | 1.27 | |
| 74061-75*3 | 25 | 200 | 25 | 57.00 | 48.00 | 4.25 | 0.25 MAPS | |
| 74061-*5*3 | | | | | | | 0.76 | |
| 74061-*5*8 | | | | | | | 1.27 | |
| 74061-60*4 | 10 | 80 | 10 | 27.00 | 18.00 | 5.15 | 0.25 MAPS | |
| 74061-*0*4 | | | | | | | 0.76 | |
| 74061-*0*9 | | | | | | | 1.27 | |
| 74061-75*4 | 25 | 200 | 25 | 57.00 | 48.00 | 5.15 | 0.25 MAPS | |
| 74061-*5*4 | | | | | | | 0.76 | |
| 74061-*5*9 | | | | | | | 1.27 | |

| PART NUMBER | COLUMN | NUMBER OF SIGNAL PIN | NUMBER OF SHIELD | A | B | M | GOLD THICKNESS MICROMETER | TIN THICKNESS MICROMETER |
|-------------------|--------|----------------------|------------------|-------|-------|------|---------------------------|--------------------------|
| 74061-62*1 | 12 | 96 | 12 | 31.00 | 22.00 | 4.75 | 0.25 MAPS | 0.76-1.52 |
| 74061-*2*1 | | | | | | | 0.76 | |
| 74061-*2*6 | | | | | | | 1.27 | |
| 74061-62*2 | 12 | 96 | 12 | 31.00 | 22.00 | 6.25 | 0.25 MAPS | |
| 74061-*2*2 | | | | | | | 0.76 | |
| 74061-*2*7 | | | | | | | 1.27 | |
| 74061-62*3 | 12 | 96 | 12 | 31.00 | 22.00 | 4.25 | 0.25 MAPS | |
| 74061-*2*3 | | | | | | | 0.76 | |
| 74061-*2*8 | | | | | | | 1.27 | |
| 74061-62*4 | 12 | 96 | 12 | 31.00 | 22.00 | 5.15 | 0.25 MAPS | |
| 74061-*2*4 | | | | | | | 0.76 | |
| 74061-*2*9 | | | | | | | 1.27 | |

| SEE SHEET 1 EC NO: UCP2013-0687 DRAWINGS: 2012/08/23 CHKD: MWOLFE 2012/11/20 APPR: MILLER 2012/12/14 | QUALITY SYMBOLS ∇=0 ∇=0 ∇=0 | GENERAL TOLERANCES (UNLESS SPECIFIED) <table border="1"> <tr> <th></th> <th>mm</th> <th>INCH</th> </tr> <tr> <td>4 PLACES</td> <td>± ---</td> <td>± ---</td> </tr> <tr> <td>3 PLACES</td> <td>± ---</td> <td>± ---</td> </tr> <tr> <td>2 PLACES</td> <td>± ---</td> <td>± ---</td> </tr> <tr> <td>1 PLACE</td> <td>± ---</td> <td>± ---</td> </tr> <tr> <td>0 PLACE</td> <td>±</td> <td>±</td> </tr> </table> | | mm | INCH | 4 PLACES | ± --- | ± --- | 3 PLACES | ± --- | ± --- | 2 PLACES | ± --- | ± --- | 1 PLACE | ± --- | ± --- | 0 PLACE | ± | ± | DIMENSION STYLE MM ONLY | SCALE 2.5:1 | DESIGN UNITS METRIC | THIRD ANGLE PROJECTION |
|---|--------------------------------------|--|----------|---------------------------------------|-------|---|----------------------------|-------|----------|-------|-------|----------|-------|-------|---------|-------|-------|---------|---|---|-----------------------------------|-----------------------|-------------------------------|------------------------|
| | | | | mm | INCH | | | | | | | | | | | | | | | | | | | |
| | | | 4 PLACES | ± --- | ± --- | | | | | | | | | | | | | | | | | | | |
| | | | 3 PLACES | ± --- | ± --- | | | | | | | | | | | | | | | | | | | |
| 2 PLACES | ± --- | ± --- | | | | | | | | | | | | | | | | | | | | | | |
| 1 PLACE | ± --- | ± --- | | | | | | | | | | | | | | | | | | | | | | |
| 0 PLACE | ± | ± | | | | | | | | | | | | | | | | | | | | | | |
| DRAWN BY DATE JMELTON 2010/05/19 | | CHECKED BY DATE SDANNELLEY 2010/05/19 | | APPROVED BY DATE MILLER 2010/07/14 | | VHDM 8 ROW SIGNAL END BACKPLANE SALES ASSEMBLY | | | | | | | | | | | | | | | | | | |
| DRAFT WHERE APPLICABLE MUST REMAIN WITHIN DIMENSIONS | | MATERIAL NO. SEE TABLE | | DOCUMENT NO. SD-74061-002 | | | SHEET NO. 2 OF 2 | | | | | | | | | | | | | | | | | |
| THIS DRAWING CONTAINS INFORMATION THAT IS PROPRIETARY TO MOLEX INCORPORATED AND SHOULD NOT BE USED WITHOUT WRITTEN PERMISSION | | | | | | | | | | | | | | | | | | | | | | | | |



Стандарт Электрон Связь

Мы молодая и активно развивающаяся компания в области поставок электронных компонентов. Мы поставляем электронные компоненты отечественного и импортного производства напрямую от производителей и с крупнейших складов мира.

Благодаря сотрудничеству с мировыми поставщиками мы осуществляем комплексные и плановые поставки широчайшего спектра электронных компонентов.

Собственная эффективная логистика и склад в обеспечивает надежную поставку продукции в точно указанные сроки по всей России.

Мы осуществляем техническую поддержку нашим клиентам и предпродажную проверку качества продукции. На все поставляемые продукты мы предоставляем гарантию .

Осуществляем поставки продукции под контролем ВП МО РФ на предприятия военно-промышленного комплекса России , а также работаем в рамках 275 ФЗ с открытием отдельных счетов в уполномоченном банке. Система менеджмента качества компании соответствует требованиям ГОСТ ISO 9001.

Минимальные сроки поставки, гибкие цены, неограниченный ассортимент и индивидуальный подход к клиентам являются основой для выстраивания долгосрочного и эффективного сотрудничества с предприятиями радиоэлектронной промышленности, предприятиями ВПК и научно-исследовательскими институтами России.

С нами вы становитесь еще успешнее!

Наши контакты:

Телефон: +7 812 627 14 35

Электронная почта: sales@st-electron.ru

Адрес: 198099, Санкт-Петербург,
Промышленная ул, дом № 19, литера Н,
помещение 100-Н Офис 331