

| PRODUCT NUMBER   | DESCRIPTION      | NOTES      |
|------------------|------------------|------------|
| 10117771-XXXXLF  | NON-HF           | SEE SHT. 3 |
| 10117771-XXXXHLF | HALOGEN FREE (H) | SEE SHT. 3 |



CABLE  
SEE TABLE 2 & 3  
NOTE 9 & 15

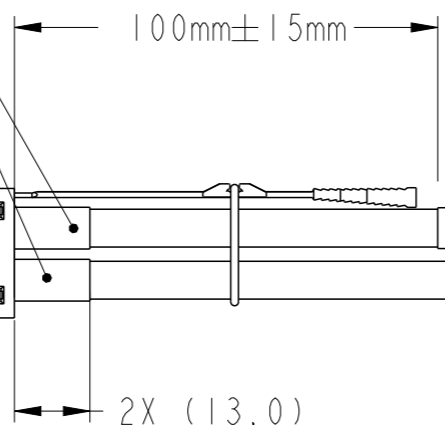
END P2  
MINI SAS  
CABLE CONNECTOR

END P1  
MINI SAS HD 4X  
CABLE CONNECTOR

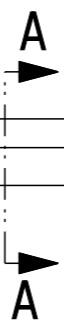
HEAT SHRINK  
TUBE (2X)



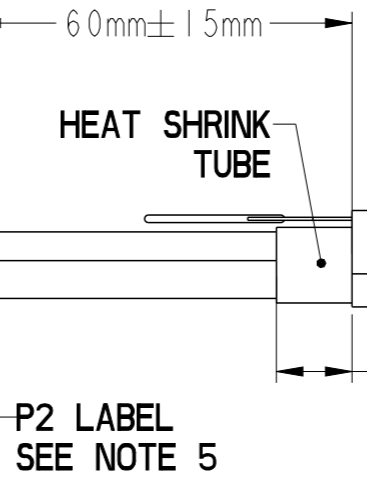
(10.45)  
("DIM M")  
SEE P/N TABLES



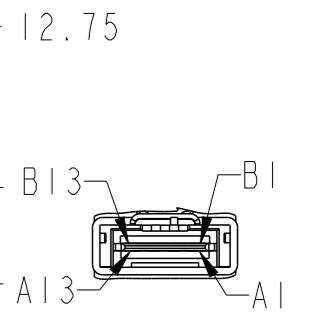
P1 LABEL  
SEE NOTE 5



CABLE TIE COLOR: BLACK  
SEE NOTE 10



P2 LABEL  
SEE NOTE 5



SECTION A-A  
SCALE 2:1  
CABLE ORIENTATION ONLY  
MSAS END P2

|             |                |  |                    |                        |                      |              |       |     |
|-------------|----------------|--|--------------------|------------------------|----------------------|--------------|-------|-----|
| dr          | Deborah Ingram | 2011/03/17   | projection         | MM                     | size                 | A3           | scale | 1:1 |
| eng         | Tommy Lin      | 2013/12/19   |                    |                        | ecn no ELX-N-16475-1 |              |       |     |
| chr         | -              | -  |                    |                        | rel level Released   |              |       |     |
| appr        | Roger Cheng    | 2013/12/19   | product family C&A |                        | rev B                |              |       |     |
|             |                | title Mini SAS HD 4X TO Mini SAS 2.1<br>TRAINED UNIVERSAL FINAL ASSEMBLY (6Gb/s) |                    | dwg no 10117771        |                      | rev B        |       |     |
| www.fci.com |                | cat. no. -   |                    | Product - Customer Drw |                      | sheet 1 of 5 |       |     |



Copyright FCI.

| PRODUCT NUMBER   | DESCRIPTION      | NOTES      |
|------------------|------------------|------------|
| 10117771-XXXXLF  | NON-HF           | SEE SHT. 3 |
| 10117771-XXXXHLF | HALOGEN FREE (H) | SEE SHT. 3 |



END P1  
Mini SAS HD 4X  
ISOMETRIC VIEW



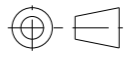

END P2  
Mini SAS  
ISOMETRIC VIEW

|             |                |   |                |                        |           |               |       |     |
|-------------|----------------|---|----------------|------------------------|-----------|---------------|-------|-----|
| dr          | Deborah Ingram | 2011/03/17  | projection<br> | MM<br>                 | size      | A3            | scale | 1:1 |
| eng         | Tommy Lin      | 2013/12/19  |                |                        | ecn no    | ELX-N-16475-1 |       |     |
| chr         | -              | -   |                |                        | rel level | Released      |       |     |
| appr        | Roger Cheng    | 2013/12/19  | product family | C&A                    |           |               |       |     |
|             |                | title<br>Mini SAS HD 4X TO Mini SAS 2.1<br>TRAINED UNIVERSAL FINAL ASSEMBLY (6Gb/s) |                | dwg no<br>10117771     | rev<br>B  |               |       |     |
| www.fci.com |                | cat. no.  | -              | Product - Customer Drw |           | sheet 2 of 5  |       |     |

| PRODUCT NUMBER   | DESCRIPTION      | NOTES      |
|------------------|------------------|------------|
| 10117771-XXXXLF  | NON-HF           | SEE SHT. 3 |
| 10117771-XXXXHLF | HALOGEN FREE (H) | SEE SHT. 3 |

| PRODUCT NUMBER<br>(HALOGEN FREE)<br>SEE NOTE 9 & 15 | AWG    | "DIM L"<br>LENGTH<br>(Meters) | "DIM M"<br>HIEGHT<br>(mm) |
|---|--------|-------------------------------|---------------------------|
| 10117771-5030HLF                                    | 24 AWG | 3 M                           | (20.1)                    |
| 10117771-5040HLF                                    | 24 AWG | 4 M                           | (20.1)                    |
| 10117771-5050HLF                                    | 24 AWG | 5 M                           | (20.1)                    |
| 10117771-5060HLF                                    | 24 AWG | 6 M                           | (20.1)                    |
| 10117771-5070HLF                                    | 24 AWG | 7 M                           | (20.1)                    |
| 10117771-5080HLF                                    | 24 AWG | 8 M                           | (20.1)                    |
| 10117771-5090HLF                                    | 24 AWG | 9 M                           | (20.1)                    |
| 10117771-5100HLF                                    | 24 AWG | 10 M                          | (20.1)                    |
| 10117771-4020HLF                                    | 26 AWG | 2 M                           | (20.1)                    |
| 10117771-4030HLF                                    | 26 AWG | 3 M                           | (20.1)                    |
| 10117771-4040HLF                                    | 26 AWG | 4 M                           | (20.1)                    |
| 10117771-4050HLF                                    | 26 AWG | 5 M                           | (20.1)                    |
| 10117771-4060HLF                                    | 26 AWG | 6 M                           | (20.1)                    |
| 10117771-4070HLF                                    | 26 AWG | 7 M                           | (20.1)                    |
| 10117771-4080HLF                                    | 26 AWG | 8 M                           | (20.1)                    |
| 10117771-3010HLF                                    | 28 AWG | 1 M                           | (17.3)                    |
| 10117771-3020HLF                                    | 28 AWG | 2 M                           | (17.3)                    |
| 10117771-3030HLF                                    | 28 AWG | 3 M                           | (17.3)                    |
| 10117771-3040HLF                                    | 28 AWG | 4 M                           | (17.3)                    |
| 10117771-3050HLF                                    | 28 AWG | 5 M                           | (17.3)                    |
| 10117771-3060HLF                                    | 28 AWG | 6 M                           | (17.3)                    |
| 10117771-2005HLF                                    | 30 AWG | 0.5 M                         | (17.3)                    |
| 10117771-2010HLF                                    | 30 AWG | 1 M                           | (17.3)                    |
| 10117771-2020HLF                                    | 30 AWG | 2 M                           | (17.3)                    |
| 10117771-2030HLF                                    | 30 AWG | 3 M                           | (17.3)                    |
| 10117771-2040HLF                                    | 30 AWG | 4 M                           | (17.3)                    |

| PRODUCT NUMBER<br>(NON-HALOGEN FREE)<br>SEE NOTE 15 | AWG    | "DIM L"<br>LENGTH<br>(Meters) | "DIM M"<br>HIEGHT<br>(mm) |
|---|--------|-------------------------------|---------------------------|
| 10117771-5030LF                                     | 24 AWG | 3 M                           | (20.1)                    |
| 10117771-5040LF                                     | 24 AWG | 4 M                           | (20.1)                    |
| 10117771-5050LF                                     | 24 AWG | 5 M                           | (20.1)                    |
| 10117771-5060LF                                     | 24 AWG | 6 M                           | (20.1)                    |
| 10117771-5070LF                                     | 24 AWG | 7 M                           | (20.1)                    |
| 10117771-5080LF                                     | 24 AWG | 8 M                           | (20.1)                    |
| 10117771-5090LF                                     | 24 AWG | 9 M                           | (20.1)                    |
| 10117771-5100LF                                     | 24 AWG | 10 M                          | (20.1)                    |
| 10117771-4020LF                                     | 26 AWG | 2 M                           | (20.1)                    |
| 10117771-4030LF                                     | 26 AWG | 3 M                           | (20.1)                    |
| 10117771-4040LF                                     | 26 AWG | 4 M                           | (20.1)                    |
| 10117771-4050LF                                     | 26 AWG | 5 M                           | (20.1)                    |
| 10117771-4060LF                                     | 26 AWG | 6 M                           | (20.1)                    |
| 10117771-4070LF                                     | 26 AWG | 7 M                           | (20.1)                    |
| 10117771-4080LF                                     | 26 AWG | 8 M                           | (20.1)                    |
| 10117771-3010LF                                     | 28 AWG | 1 M                           | (17.3)                    |
| 10117771-3020LF                                     | 28 AWG | 2 M                           | (17.3)                    |
| 10117771-3030LF                                     | 28 AWG | 3 M                           | (17.3)                    |
| 10117771-3040LF                                     | 28 AWG | 4 M                           | (17.3)                    |
| 10117771-3050LF                                     | 28 AWG | 5 M                           | (17.3)                    |
| 10117771-3060LF                                     | 28 AWG | 6 M                           | (17.3)                    |
| 10117771-2005LF                                     | 30 AWG | 0.5 M                         | (17.3)                    |
| 10117771-2010LF                                     | 30 AWG | 1 M                           | (17.3)                    |
| 10117771-2020LF                                     | 30 AWG | 2 M                           | (17.3)                    |
| 10117771-2030LF                                     | 30 AWG | 3 M                           | (17.3)                    |
| 10117771-2040LF                                     | 30 AWG | 4 M                           | (17.3)                    |

|   |                |   |   |                        |               |              |     |
|---|----------------|---|---|------------------------|---------------|--------------|-----|
| dr  | Deborah Ingram | 2011/03/17  | projection<br> | size                   | A3            | scale        | 1:1 |
| eng   | Tommy Lin      | 2013/12/19  |   | ecn no                 | ELX-N-16475-1 |              |     |
| chr   | -              | -   |   | rel level              | Released      |              |     |
| appr  | Roger Cheng    | 2013/12/19  | product family  | C&A                    |               |              |     |
|  |                | title<br>Mini SAS HD 4X TO Mini SAS 2.1<br>TRAINED UNIVERSAL FINAL ASSEMBLY (6Gb/s) |   | dwg no<br>10117771     | rev<br>B      |              |     |
| www.fci.com   |                | cat. no.  | -   | Product - Customer Drw |               | sheet 3 of 5 |     |



Copyright FCI.

| PRODUCT NUMBER   | DESCRIPTION      | NOTES      |
|------------------|------------------|------------|
| 10117771-XXXXLF  | NON-HF           | SEE SHT. 3 |
| 10117771-XXXXHLF | HALOGEN FREE (H) | SEE SHT. 3 |



KEY 3 & KEY SLOT 2, 4 & 6  
 ○ ◇ UNIVERSAL PORT

**END P2  
MINI SAS**



**BEND RADIUS  
TOP VIEW OF CONNECTOR**

| MINI SAS HD<br>MINIMUM BEND TABLE |                 |                     |
|-----------------------------------|-----------------|---------------------|
| CABLE                             | "DIM Y"<br>(HF) | "DIM Y"<br>(NON-HF) |
| 24 AWG                            | 92.8            | 90.5                |
| 26 AWG                            | 87.5            | 85.1                |
| 28 AWG                            | 81.5            | 79.1                |
| 30 AWG                            | 77.9            | 74.3                |

| MINI SAS 2.1<br>MINIMUM BEND TABLE |                 |                     |
|------------------------------------|-----------------|---------------------|
| CABLE                              | "DIM Y"<br>(HF) | "DIM Y"<br>(NON-HF) |
| 24 AWG                             | 90.6            | 88.3                |
| 26 AWG                             | 85.3            | 82.9                |
| 28 AWG                             | 79.3            | 76.9                |
| 30 AWG                             | 75.7            | 72.1                |

| WIRING LIST (SEE NOTE 6) |      |                    |                  |        |
|--------------------------|------|--------------------|------------------|--------|
| P1<br>(MINI SAS HD)      |      | CONDUCTOR #        | P2<br>(MINI SAS) |        |
| SIGNAL                   | PIN# |                    | PIN#             | SIGNAL |
| GND                      | A9   | PAIR 2             | B7               | GND    |
| Rx 1-                    | A5   |                    | B6               | Tx 1-  |
| Rx 1+                    | A4   |                    | B5               | Tx 1+  |
| GND                      | A3   | PAIR 4             | B4               | GND    |
| Rx 3-                    | A8   |                    | B12              | Tx 3-  |
| Rx 3+                    | A7   |                    | B11              | Tx 3+  |
| GND                      | A6   | NO THRU CONNECTION | B13              | GND    |
| N/C                      | A1   |                    |                  |        |
| Interrupt                | A2   |                    |                  |        |
| GND                      | B9   | PAIR 1             |                  | GND    |
| RX 0-                    | B5   |                    | B3               | TX 0-  |
| RX 0+                    | B4   |                    | B2               | TX 0+  |
| GND                      | B3   | PAIR 3             | B1               | GND    |
| RX 2-                    | B8   |                    | B9               | TX 2-  |
| RX 2+                    | B7   |                    | B8               | TX 2+  |
| GND                      | B6   | NO THRU CONNECTION | B10              | GND    |
| N/C                      | B1   |                    |                  |        |
| Mod_PRS_L (GND)          | B2   |                    |                  |        |
| GND                      | C9   | PAIR 2             | A7               | GND    |
| TX 1-                    | C5   |                    | A6               | RX 1-  |
| TX 1+                    | C4   |                    | A5               | RX 1+  |
| GND                      | C3   | PAIR 4             | A4               | GND    |
| TX 3-                    | C8   |                    | A12              | RX 3-  |
| TX 3+                    | C7   |                    | A11              | RX 3+  |
| GND                      | C6   | NO THRU CONNECTION | A13              | GND    |
| SCL                      | C1   |                    |                  |        |
| SDA                      | C2   |                    |                  |        |
| GND                      | D9   | PAIR 1             |                  | GND    |
| TX 0-                    | D5   |                    | A3               | RX 0-  |
| TX 0+                    | D4   |                    | A2               | RX 0+  |
| GND                      | D3   | PAIR 3             | A1               | GND    |
| TX 2-                    | D8   |                    | A9               | RX 2-  |
| TX 2+                    | D7   |                    | A8               | RX 2+  |
| GND                      | D6   | NO THRU CONNECTION | A10              | GND    |
| N/C                      | D1   |                    |                  |        |
| V+3.3 for EEPROM         | D2   |                    |                  |        |
| SHELL                    |      | BRAID              |                  | SHELL  |

|             |                |            |            |                        |                |        |               |          |
|-------------|----------------|------------|------------|------------------------|----------------|--------|---------------|----------|
| dr          | Deborah Ingram | 2011/03/17 | projection | MM                     | size           | A3     | scale         | 1:1      |
| eng         | Tommy Lin      | 2013/12/19 |            |                        | product family | C&A    | rel level     | Released |
| chr         | -              | -          |            |                        |                | ecn no | ELX-N-16475-1 |          |
| appr        | Roger Cheng    | 2013/12/19 |            |                        |                |        |               |          |
| www.fci.com |                | cat. no.   | -          | Product - Customer Drw | sheet 4 of 5   |        |               |          |

|     |  |        |          |     |   |
|-----|--|--------|----------|-----|---|
| FCI | Mini SAS HD 4X TO Mini SAS 2.1<br>TRAINED UNIVERSAL FINAL ASSEMBLY (6Gb/s) | dwg no | 10117771 | rev | B |
|     |  |        |          |     |   |

| PRODUCT NUMBER   | DESCRIPTION      | NOTES      |
|------------------|------------------|------------|
| 10117771-XXXXLF  | NON-HF           | SEE SHT. 3 |
| 10117771-XXXXHLF | HALOGEN FREE (H) | SEE SHT. 3 |

NOTES:

1 - MATERIALS MINI SAS HD (END P1)  
 BACK SHELLS: ZINC DIE CAST/ COPPER UNDER PLATE/NICKEL OVER PLATE  
 PULL TAB: THERMOPLASTIC POLYMER  
 LATCH: STAINLESS STEEL  
 FERRULE: BRASS  
 EMI GASKETS: STAINLESS STEEL  
 LOCTITE  
 HEAT SHRINK: HIGH POLYMER  
 PADDLE CARD: PRINTED CIRCUIT SUBSTRATE

MATERIALS MINI SAS (END P2)  
 BACK SHELLS: ZINC DIE CAST  
 PULL TAB: THERMOPLASTIC POLYMER  
 LATCH: STAINLESS STEEL  
 JET MELT: POLYAMIDE POLYMER  
 HEAT SHRINK: POLYOLEFIN  
 PADDLE CARD: PRINTED CIRCUIT SUBSTRATE

△ CABLE LABEL EXAMPLE:



FCI SERIAL NUMBER IS ONLY USED FOR TRACKING PRODUCT ,  
 SERIAL NUMBER IS DEFINED AS BELOW:



CE MARK VERTICAL DIMENSION MAY NOT BE LESS THAN 5mm,

2 - ELECTRICAL PERFORMANCE PER CURRENT REVISION: T10/SAS-2.1

△ 3 - THIS PRODUCT MEETS THE RESTRICTION OF HAZARDOUS SUBSTANCES IN ELECTRICAL AND ELECTRONIC EQUIPMENT (RoHS) DIRECTIVE (2011/65/EU)

△ 4 - UNLESS OTHERWISE SPECIFIED ASSEMBLED LENGTH TOLERANCE IS TO BE:  
 "DIM L" < 1 METERS = ±25mm  
 "DIM L" = 1 METER TO 10 METER = 2% OF "DIM L"

5- LABEL DETAILS:

|                               |                |
|-------------------------------|----------------|
| MANUFACTURER CODE OR NAME     | COUNTRY ORIGIN |
| FCI P/N                       | <b>CE MARK</b> |
| FCI CUSTOMER DRAWING REVISION |                |
| FCI SERIAL NUMBER             |                |

FONT SHALL BE CLEARLY VISIBLE AND BLACK IN COLOR.  
 CE MARK VERTICAL DIMENSION MAY NOT BE LESS THAN 5mm.

6- ALL CABLE ASSEMBLIES SHALL BE 100% TESTED FOR CONTINUITY AS DEFINED IN WIRING LIST.

7 -PACKAGING OF LEAD FREE PRODUCTS MEETS LABELING AND PACKAGING PER SPECIFICATION GS-14-920.  
 △ PACKAGE CABLE ASSEMBLIES PER GS-14-1272. DUST COVER IS TO BE APPLIED TO MINI SAS HD CONNECTOR PRIOR TO SHIPPING.  
 CE MARK SHOULD BE ADDED ON FCI STANDARD PACKAGE LABEL(G1 LABEL),CE MARK VERTICAL DIM. MAY NOT BE LESS THAN 5mm.

8- THIS DIMENSION IS A FINISHED PRODUCT LENGTH.

9. "H" IN THE PART NUMBER DENOTES USE OF HALOGEN FREE CABLE.

10. PLACE A CABLE TIE EVERY 0.5 METERS, IN THE CASE OF A 0.5 METER CABLE LENGTH, PLACE THE CABLE TIE MIDWAY BETWEEN CONNECTORS.

11. A "△" SYMBOL WILL BE NEXT TO ANY DIMENSION, VIEW, OR NOTE WHICH HAS BEEN MODIFIED WITH THE CURRENT DRAWING REVISION. THE CURRENT REVISION WILL BE SHOWN IN THE SYMBOL.

12. MATES TO SERIES: MINI SAS HD - 10112626 or 10112627 or 10112628  
 MINI SAS 2.1 - BOARD CONNECTOR 10098870 AND CAGE 10098871

13. OTHER TESTING PERFORMED AS REQUIRED BY PRODUCT SPECIFICATION: MINISAS HD GS-12-651, MINI SAS 2.1 GS-12-548

△ 14. EEPROM INFORMATION OF MSHD SIDE REFER TO FCI PRODUCT SPEC. GS-12-651.

△ 15. CABLE IS OPTIONAL, WHICH HAD BEEN QUALIFIED BY FCI AND MEET FCI PRODUCT SPEC. GS-12-651/548.

|                |                |  |                |                        |              |
|----------------|----------------|--|----------------|------------------------|--------------|
| dr             | Deborah Ingram | 2011/03/17   | projection<br> | size<br>A3             | scale<br>1:1 |
| eng            | Tommy Lin      | 2013/12/19   |                |                        |              |
| chr            | -              | -  |                |                        |              |
| appr           | Roger Cheng    | 2013/12/19   |                |                        |              |
| product family |                |  | C&A            | rel level              | Released     |
|                |                | Mini SAS HD 4X TO Mini SAS 2.1<br>TRAINED UNIVERSAL FINAL ASSEMBLY (6Gb/s) |                | dwg no<br>10117771     | rev<br>B     |
| www.fci.com    |                | cat. no.   | -              | Product - Customer Drw |              |
|                |                |  |                | sheet 5 of 5           |              |



Copyright FCI.



## Стандарт Электрон Связь

Мы молодая и активно развивающаяся компания в области поставок электронных компонентов. Мы поставляем электронные компоненты отечественного и импортного производства напрямую от производителей и с крупнейших складов мира.

Благодаря сотрудничеству с мировыми поставщиками мы осуществляем комплексные и плановые поставки широчайшего спектра электронных компонентов.

Собственная эффективная логистика и склад в обеспечивает надежную поставку продукции в точно указанные сроки по всей России.

Мы осуществляем техническую поддержку нашим клиентам и предпродажную проверку качества продукции. На все поставляемые продукты мы предоставляем гарантию .

Осуществляем поставки продукции под контролем ВП МО РФ на предприятия военно-промышленного комплекса России , а также работаем в рамках 275 ФЗ с открытием отдельных счетов в уполномоченном банке. Система менеджмента качества компании соответствует требованиям ГОСТ ISO 9001.

Минимальные сроки поставки, гибкие цены, неограниченный ассортимент и индивидуальный подход к клиентам являются основой для выстраивания долгосрочного и эффективного сотрудничества с предприятиями радиоэлектронной промышленности, предприятиями ВПК и научно-исследовательскими институтами России.

С нами вы становитесь еще успешнее!

### Наши контакты:

**Телефон:** +7 812 627 14 35

**Электронная почта:** [sales@st-electron.ru](mailto:sales@st-electron.ru)

**Адрес:** 198099, Санкт-Петербург,  
Промышленная ул, дом № 19, литера Н,  
помещение 100-Н Офис 331