

Signal Conditioned Accelerometer
0.5 to 4.5 VDC Output
Integral Temperature Compensation
High Performance

- ▶ Vibration/Shock Testing
- ▶ Geophysical Monitoring
- ▶ Modal Analysis
- ▶ Structural Analysis
- ▶ Elevator Ride Control



DESCRIPTION

The Model 3140 is a high performance accelerometer intended for instrumentation applications. The 3140 provides a fully signal conditioned output with performance similar to traditional instrumentation accelerometers but at a much lower cost.

The accelerometer consists of a silicon micro machined accelerometer with signal conditioning electronics in a light-weight Valox™ housing that can be easily attached to a mounting surface.

The sensing element is a micro machined silicon mass suspended by multiple beams from a silicon frame. Piezoresistors located in the beams change their resistance as the motion of the suspended mass changes the strain in the beams. Silicon caps on the top and bottom of the device are added to provide over-range stops. This design provides for a very low profile, high shock resistance, durability and built-in damping over a wide usable bandwidth.

A lower cost version of the 3140 is available for applications that do not require the temperature performance offered with the 3140. Please refer to the Model 3145 for additional information.

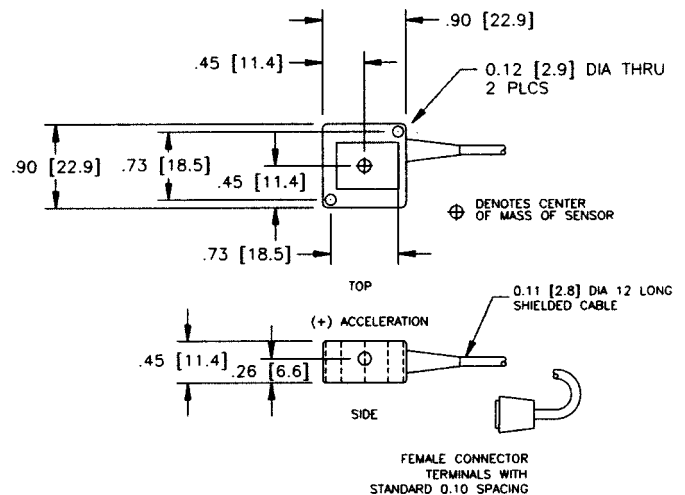
FEATURES

- ▶ Bolt Mount
- ▶ ±0.5% Non-linearity (typical)
- ▶ ±2.0% Temperature Performance
- ▶ DC Response
- ▶ Built-in Damping
- ▶ Built-in Overrange Stops
- ▶ Low Power

STANDARD RANGES

| Range | g |
|-------|---|
| ±2 | ● |
| ±5 | ● |
| ±10 | ● |
| ±20 | ● |
| ±50 | ● |
| ±100 | ● |

DIMENSIONS



ALL DIMENSIONS ARE IN INCHES

PERFORMANCE SPECIFICATIONS

Supply Current: 12 VDC

Ambient Temperature: 25°C (Unless otherwise specified)

| PARAMETERS | RANGE | | | | | |
|---|-------|---------|---------|---------|--------|--------|
| | ±2G | ±5G | ±10G | ±20G | ±50G | ±100G |
| Frequency Response [MIN] See notes 2, 8 | 0-200 | 0-300 | 0-400 | 0-500 | 0-600 | 0-1500 |
| Mounted Resonant Frequency [MIN] See note 2 | 450 | 600 | 950 | 1500 | 2750 | 3000 |
| Sensitivity (Nominal) | 1 V/g | 400mV/g | 200mV/g | 100mV/g | 40mV/g | 20mV/g |

| PARAMETERS | MIN | TYP | MAX | UNITS | NOTES |
|---|-----------------|------|------|---------|-------|
| Full Scale Output Span | 3.92 | 4.00 | 4.08 | Volts | 1, 2 |
| Zero Acceleration Output | 2.46 | 2.50 | 2.54 | Volts | 1, 2 |
| Accuracy | | 0.5 | 1.0 | ±% Span | 3 |
| Transverse Sensitivity | | 1.0 | 3.0 | ±% Span | |
| Temperature Error - Span (-20°C to +85°C) | | 1.0 | 2.0 | ±% Span | 2, 4 |
| Temperature Error - Zero (-20°C to +85°C) | | 1.0 | 2.0 | ±% Span | 2, 4 |
| Supply Voltage | 8.0 | 12.0 | 30.0 | Volts | |
| Supply Current | | 5.0 | | mA | |
| Reference Voltage | | 2.5 | | Volts | 5 |
| Output Resistance | | 0.1 | | Ω | |
| Output Noise | | 0.5 | | mV p-p | 6 |
| Output Load Resistance | 5 | | | kΩ | |
| Acceleration Limits | | 20X | | Rated | |
| Operating Temperature | -20°C to +85°C | | | | |
| Storage Temperature | -40°C to +125°C | | | | |
| Weight (Including Cable) | 13 Grams | | | | |

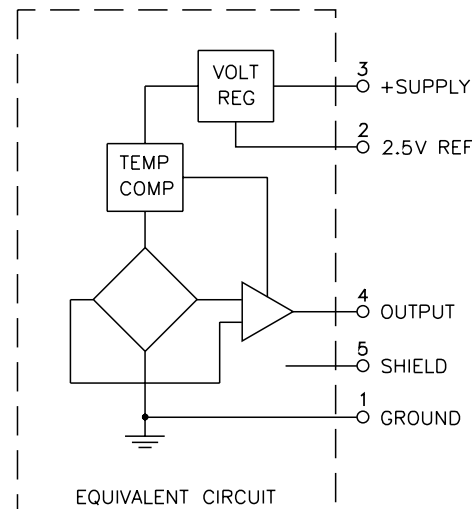
Notes

- The output voltage increases from the Zero Acceleration Output for positive acceleration and decreases for negative acceleration. The sensitivity is then 2V/Range. For example, the ±5g range has a sensitivity of 2V/5g or 400mV/g.
- Actual test data for this parameter is included on the calibration sheet provided with each sensor.
- Includes repeatability, hysteresis, and linearity (best fit straight line).
- Compensated temperature range: -20°C to +85°C in reference to 25°C.
- Pin 2 provides an optional 2.5V reference which may be used, if desired, to provide a stable zero-g reference. Thus, the full scale differential output between Pin 2 and Pin 4 would be ± 2 VDC. If a single ended output signal is preferred (0.5-4.5 VDC), make no connection to Pin 2. To avoid damage to the internal voltage regulator, do not connect Pin 2 to Pin 1 (gnd). Minimum load resistance connected to Pin 2 without affecting output is 100 kΩ.
- 10 Hz to 1 kHz.
- To use an alternate electrical connector, refer to the following color code for proper electrical connections: Pin 1 - Green; Pin 2 - Yellow; Pin 3 - Red; Pin 4 - Blue; Pin 5 - Shield. Note: Removing the connector voids the product warranty.
- The useful frequency range is defined as the range of frequencies over which the device sensitivity is within ±5% of the DC value.

ORDERING INFORMATION



CONNECTIONS



June 2001



Стандарт Электрон Связь

Мы молодая и активно развивающаяся компания в области поставок электронных компонентов. Мы поставляем электронные компоненты отечественного и импортного производства напрямую от производителей и с крупнейших складов мира.

Благодаря сотрудничеству с мировыми поставщиками мы осуществляем комплексные и плановые поставки широчайшего спектра электронных компонентов.

Собственная эффективная логистика и склад в обеспечивает надежную поставку продукции в точно указанные сроки по всей России.

Мы осуществляем техническую поддержку нашим клиентам и предпродажную проверку качества продукции. На все поставляемые продукты мы предоставляем гарантию .

Осуществляем поставки продукции под контролем ВП МО РФ на предприятия военно-промышленного комплекса России , а также работаем в рамках 275 ФЗ с открытием отдельных счетов в уполномоченном банке. Система менеджмента качества компании соответствует требованиям ГОСТ ISO 9001.

Минимальные сроки поставки, гибкие цены, неограниченный ассортимент и индивидуальный подход к клиентам являются основой для выстраивания долгосрочного и эффективного сотрудничества с предприятиями радиоэлектронной промышленности, предприятиями ВПК и научно-исследовательскими институтами России.

С нами вы становитесь еще успешнее!

Наши контакты:

Телефон: +7 812 627 14 35

Электронная почта: sales@st-electron.ru

Адрес: 198099, Санкт-Петербург,
Промышленная ул, дом № 19, литера Н,
помещение 100-Н Офис 331