



## 3.3V ZERO DELAY CLOCK BUFFER

**IDT2305A**

### FEATURES:

- Phase-Lock Loop Clock Distribution
- 10MHz to 133MHz operating frequency
- Distributes one clock input to one bank of five outputs
- Zero Input-Output Delay
- Output Skew < 250ps
- Low jitter <200 ps cycle-to-cycle
- IDT2305A-1 for Standard Drive
- IDT2305A-1H for High Drive
- No external RC network required
- Operates at 3.3V V<sub>DD</sub>
- Power down mode
- Available in SOIC package

### DESCRIPTION:

The IDT2305A is a high-speed phase-lock loop (PLL) clock buffer, designed to address high-speed clock distribution applications. The zero delay is achieved by aligning the phase between the incoming clock and the output clock, operable within the range of 10 to 133MHz.

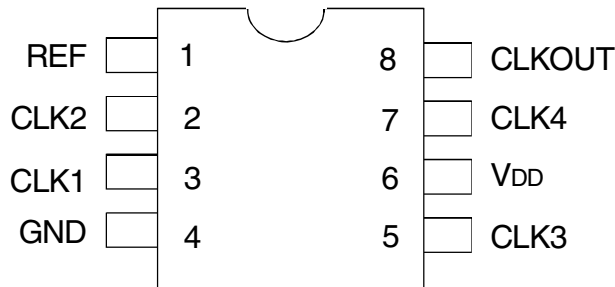
The IDT2305A is an 8-pin version of the IDT2309A. IDT2305A accepts one reference input, and drives out five low skew clocks. The -1H version of this device operates up to 133MHz frequency and has a higher drive than the -1 device. All parts have on-chip PLLs which lock to an input clock on the REF pin. The PLL feedback is on-chip and is obtained from the CLKOUT pad. In the absence of an input clock, the IDT2305A enters power down. In this mode, the device will draw less than 12 $\mu$ A for Commercial Temperature range and less than 25 $\mu$ A for Industrial temperature range, the outputs are tri-stated, and the PLL is not running, resulting in a significant reduction of power.

The IDT2305A is characterized for both Industrial and Commercial operation.

### FUNCTIONAL BLOCK DIAGRAM



## PIN CONFIGURATION



## ABSOLUTE MAXIMUM RATINGS<sup>(1)</sup>

| Symbol  | Rating                           | Max.                         | Unit |
|---|----------------------------------|------------------------------|------|
| V <sub>DD</sub>   | Supply Voltage Range             | -0.5 to +4.6                 | V    |
| V <sub>I</sub> <sup>(2)</sup>                           | Input Voltage Range (REF)        | -0.5 to +5.5                 | V    |
| V <sub>I</sub>  | Input Voltage Range (except REF) | -0.5 to V <sub>DD</sub> +0.5 | V    |
| I <sub>IK</sub> (V <sub>I</sub> < 0)                    | Input Clamp Current              | -50                          | mA   |
| I <sub>O</sub> (V <sub>O</sub> = 0 to V <sub>DD</sub> ) | Continuous Output Current        | ±50                          | mA   |
| V <sub>DD</sub> or GND                                  | Continuous Current               | ±100                         | mA   |
| T <sub>A</sub> = 55°C (in still air) <sup>(3)</sup>     | Maximum Power Dissipation        | 0.7                          | W    |
| T <sub>STG</sub>  | Storage Temperature Range        | -65 to +150                  | °C   |
| Operating Temperature                                   | Commercial Temperature Range     | 0 to +70                     | °C   |
| Operating Temperature                                   | Industrial Temperature Range     | -40 to +85                   | °C   |

### NOTES:

1. Stresses greater than those listed under ABSOLUTE MAXIMUM RATINGS may cause permanent damage to the device. This is a stress rating only and functional operation of the device at these or any other conditions above those indicated in the operational sections of this specification is not implied. Exposure to absolute maximum rating conditions for extended periods may affect reliability.
2. The input and output negative-voltage ratings may be exceeded if the input and output clamp-current ratings are observed.
3. The maximum package power dissipation is calculated using a junction temperature of 150°C and a board trace length of 750 mils.

## APPLICATIONS:

- SDRAM
- Telecom
- Datacom
- PC Motherboards/Workstations
- Critical Path Delay Designs

## PIN DESCRIPTION

| Pin Name              | Pin Number | Type   | Functional Description                       |
|-----------------------|------------|--------|--|
| REF                   | 1          | IN     | Input reference clock, 5 Volt tolerant input |
| CLK2 <sup>(1)</sup>   | 2          | Out    | Output clock                                 |
| CLK1 <sup>(1)</sup>   | 3          | Out    | Output clock                                 |
| GND                   | 4          | Ground | Ground                                       |
| CLK3 <sup>(1)</sup>   | 5          | Out    | Output clock                                 |
| V <sub>DD</sub>       | 6          | PWR    | 3.3V Supply                                  |
| CLK4 <sup>(1)</sup>   | 7          | Out    | Output clock                                 |
| CLKOUT <sup>(1)</sup> | 8          | Out    | Output clock, internal feedback on this pin  |

### NOTES:

1. Weak pull down on all outputs.

## OPERATING CONDITIONS - COMMERCIAL

| Symbol | Parameter                                   | Min. | Max. | Unit |
|--------|---|------|------|------|
| VDD    | Supply Voltage                              | 3    | 3.6  | V    |
| TA     | Operating Temperature (Ambient Temperature) | 0    | 70   | °C   |
| CL     | Load Capacitance < 100MHz                   | —    | 30   | pF   |
|        | Load Capacitance 100MHz - 133MHz            | —    | 10   |      |
| CIN    | Input Capacitance                           | —    | 7    | pF   |

## DC ELECTRICAL CHARACTERISTICS - COMMERCIAL

| Symbol             | Parameter                | Conditions                   |                   | Min. | Max. | Unit |
|--------------------|--------------------------|------------------------------|-------------------|------|------|------|
| VIL                | Input LOW Voltage Level  |                              |                   | —    | 0.8  | V    |
| VIH                | Input HIGH Voltage Level |                              |                   | 2    | —    | V    |
| IIL                | Input LOW Current        | VIN = 0V                     |                   | —    | 50   | μA   |
| IiH                | Input HIGH Current       | VIN = VDD                    |                   | —    | 100  | μA   |
| VOL                | Output LOW Voltage       | Standard Drive               | IOL = 8mA         | —    | 0.4  | V    |
|                    |                          | High Drive                   | IOL = 12mA (-1H)  |      |      |      |
| VOH                | Output HIGH Voltage      | Standard Drive               | IOH = -8mA        | 2.4  | —    | V    |
|                    |                          | High Drive                   | IOH = -12mA (-1H) |      |      |      |
| I <sub>DD_PD</sub> | Power Down Current       | REF = 0MHz                   |                   | —    | 12   | μA   |
| I <sub>DD</sub>    | Supply Current           | Unloaded Outputs at 66.66MHz |                   | —    | 32   | mA   |

## SWITCHING CHARACTERISTICS (2305A-1) - COMMERCIAL <sup>(1,2)</sup>

| Symbol            | Parameter                                    | Conditions  | Min. | Typ. | Max. | Unit |
|-------------------|--|---|------|------|------|------|
| t <sub>f</sub>    | Output Frequency                             | 10pF Load   | 10   | —    | 133  | MHz  |
|                   |  | 30pF Load   | 10   | —    | 100  |      |
|                   | Duty Cycle = t <sub>2</sub> ÷ t <sub>1</sub> | Measured at 1.4V, F <sub>OUT</sub> = 66.66MHz         | 40   | 50   | 60   | %    |
| t <sub>r</sub>    | Rise Time                                    | Measured between 0.8V and 2V                          | —    | —    | 2.5  | ns   |
| t <sub>f</sub>    | Fall Time                                    | Measured between 0.8V and 2V                          | —    | —    | 2.5  | ns   |
| t <sub>s</sub>    | Output to Output Skew                        | All outputs equally loaded                            | —    | —    | 250  | ps   |
| t <sub>d</sub>    | Delay, REF Rising Edge to CLKOUT Rising Edge | Measured at VDD/2                                     | —    | 0    | ±350 | ps   |
| t <sub>r</sub>    | Device-to-Device Skew                        | Measured at VDD/2 on the CLKOUT pins of devices       | —    | 0    | 700  | ps   |
| t <sub>j</sub>    | Cycle-to-Cycle Jitter, pk - pk               | Measured at 54-81MHz, loaded outputs                  | —    | —    | 170  | ps   |
|                   |  | Other frequencies, loaded outputs                     |      |      | 200  |      |
| t <sub>LOCK</sub> | PLL Lock Time                                | Stable power supply, valid clock presented on REF pin | —    | —    | 1    | ms   |

NOTES:

- REF Input has a threshold voltage of VDD/2.
- All parameters specified with loaded outputs.

## SWITCHING CHARACTERISTICS (2305A-1H) - COMMERCIAL <sup>(1,2)</sup>

| Symbol            | Parameter                                    | Conditions   | Min. | Typ. | Max. | Unit |
|-------------------|--|--|------|------|------|------|
| t <sub>1</sub>    | Output Frequency                             | 10pF Load  | 10   | —    | 133  | MHz  |
|                   |  | 30pF Load  | 10   | —    | 100  |      |
|                   | Duty Cycle = t <sub>2</sub> ÷ t <sub>1</sub> | Measured at 1.4V, F <sub>OUT</sub> = 66.66MHz                | 40   | 50   | 60   | %    |
|                   | Duty Cycle = t <sub>2</sub> ÷ t <sub>1</sub> | Measured at 1.4V, F <sub>OUT</sub> <50MHz                    | 45   | 50   | 55   | %    |
| t <sub>3</sub>    | Rise Time                                    | Measured between 0.8V and 2V                                 | —    | —    | 1.5  | ns   |
| t <sub>4</sub>    | Fall Time                                    | Measured between 0.8V and 2V                                 | —    | —    | 1.5  | ns   |
| t <sub>5</sub>    | Output to Output Skew                        | All outputs equally loaded                                   | —    | —    | 250  | ps   |
| t <sub>6</sub>    | Delay, REF Rising Edge to CLKOUT Rising Edge | Measured at V <sub>DD</sub> /2                               | —    | 0    | ±350 | ps   |
| t <sub>7</sub>    | Device-to-Device Skew                        | Measured at V <sub>DD</sub> /2 on the CLKOUT pins of devices | —    | 0    | 700  | ps   |
| t <sub>8</sub>    | Output Slew Rate                             | Measured between 0.8V and 2V using Test Circuit #2           | 1    | —    | —    | V/ns |
| t <sub>J</sub>    | Cycle-to-Cycle Jitter, pk - pk               | Measured at 54-81MHz, loaded outputs                         | —    | —    | 170  | ps   |
|                   |  | Other frequencies, loaded outputs                            |      |      | 200  | ps   |
| t <sub>LOCK</sub> | PLL Lock Time                                | Stable power supply, valid clock presented on REF pin        | —    | —    | 1    | ms   |

NOTES:

- REF Input has a threshold voltage of V<sub>DD</sub>/2.
- All parameters specified with loaded outputs.

## OPERATING CONDITIONS - INDUSTRIAL

| Symbol          | Parameter                                   | Min. | Max. | Unit |
|-----------------|---|------|------|------|
| V <sub>DD</sub> | Supply Voltage                              | 3    | 3.6  | V    |
| T <sub>A</sub>  | Operating Temperature (Ambient Temperature) | -40  | +85  | °C   |
| C <sub>L</sub>  | Load Capacitance < 100MHz                   | —    | 30   | pF   |
|                 | Load Capacitance 100MHz - 133MHz            | —    | 10   |      |
| C <sub>IN</sub> | Input Capacitance                           | —    | 7    | pF   |

## DC ELECTRICAL CHARACTERISTICS - INDUSTRIAL

| Symbol             | Parameter                | Conditions                        |                               | Min. | Max. | Unit |
|--------------------|--------------------------|-----------------------------------|-------------------------------|------|------|------|
| V <sub>IL</sub>    | Input LOW Voltage Level  |                                   |                               | —    | 0.8  | V    |
| V <sub>IH</sub>    | Input HIGH Voltage Level |                                   |                               | 2    | —    | V    |
| I <sub>IL</sub>    | Input LOW Current        | V <sub>IN</sub> = 0V              |                               | —    | 50   | μA   |
| I <sub>IH</sub>    | Input HIGH Current       | V <sub>IN</sub> = V <sub>DD</sub> |                               | —    | 100  | μA   |
| V <sub>OL</sub>    | Output LOW Voltage       | Standard Drive                    | I <sub>OL</sub> = 8mA         | —    | 0.4  | V    |
|                    |                          | High Drive                        | I <sub>OL</sub> = 12mA (-1H)  |      |      |      |
| V <sub>OH</sub>    | Output HIGH Voltage      | Standard Drive                    | I <sub>OH</sub> = -8mA        | 2.4  | —    | V    |
|                    |                          | High Drive                        | I <sub>OH</sub> = -12mA (-1H) |      |      |      |
| I <sub>DD_PD</sub> | Power Down Current       | REF = 0MHz                        |                               | —    | 25   | μA   |
| I <sub>DD</sub>    | Supply Current           | Unloaded Outputs at 66.66MHz      |                               | —    | 35   | mA   |

## SWITCHING CHARACTERISTICS (2305A-1) - INDUSTRIAL <sup>(1,2)</sup>

| Symbol            | Parameter                                    | Conditions   | Min. | Typ. | Max. | Unit |
|-------------------|--|--|------|------|------|------|
| t <sub>1</sub>    | Output Frequency                             | 10pF Load  | 10   | —    | 133  | MHz  |
|                   |  | 30pF Load  | 10   | —    | 100  |      |
|                   | Duty Cycle = t <sub>2</sub> ÷ t <sub>1</sub> | Measured at 1.4V, F <sub>OUT</sub> = 66.66MHz                | 40   | 50   | 60   | %    |
| t <sub>3</sub>    | Rise Time                                    | Measured between 0.8V and 2V                                 | —    | —    | 2.5  | ns   |
| t <sub>4</sub>    | Fall Time                                    | Measured between 0.8V and 2V                                 | —    | —    | 2.5  | ns   |
| t <sub>5</sub>    | Output to Output Skew                        | All outputs equally loaded                                   | —    | —    | 250  | ps   |
| t <sub>6</sub>    | Delay, REF Rising Edge to CLKOUT Rising Edge | Measured at V <sub>DD</sub> /2                               | —    | 0    | ±350 | ps   |
| t <sub>7</sub>    | Device-to-Device Skew                        | Measured at V <sub>DD</sub> /2 on the CLKOUT pins of devices | —    | 0    | 700  | ps   |
| t <sub>J</sub>    | Cycle-to-Cycle Jitter, pk - pk               | Measured at 54-81MHz, loaded outputs                         | —    | —    | 170  | ps   |
|                   |  | Other frequencies, loaded outputs                            |      |      | 200  | ps   |
| t <sub>LOCK</sub> | PLL Lock Time                                | Stable power supply, valid clock presented on REF pin        | —    | —    | 1    | ms   |

NOTES:

1. REF Input has a threshold voltage of V<sub>DD</sub>/2.
2. All parameters specified with loaded outputs.

## SWITCHING CHARACTERISTICS (2305A-1H) - INDUSTRIAL <sup>(1,2)</sup>

| Symbol            | Parameter                                    | Conditions   | Min. | Typ. | Max. | Unit |
|-------------------|--|--|------|------|------|------|
| t <sub>1</sub>    | Output Frequency                             | 10pF Load  | 10   | —    | 133  | MHz  |
|                   |  | 30pF Load  | 10   | —    | 100  |      |
|                   | Duty Cycle = t <sub>2</sub> ÷ t <sub>1</sub> | Measured at 1.4V, F <sub>OUT</sub> = 66.66MHz                | 40   | 50   | 60   | %    |
|                   | Duty Cycle = t <sub>2</sub> ÷ t <sub>1</sub> | Measured at 1.4V, F <sub>OUT</sub> <50MHz                    | 45   | 50   | 55   | %    |
| t <sub>3</sub>    | Rise Time                                    | Measured between 0.8V and 2V                                 | —    | —    | 1.5  | ns   |
| t <sub>4</sub>    | Fall Time                                    | Measured between 0.8V and 2V                                 | —    | —    | 1.5  | ns   |
| t <sub>5</sub>    | Output to Output Skew                        | All outputs equally loaded                                   | —    | —    | 250  | ps   |
| t <sub>6</sub>    | Delay, REF Rising Edge to CLKOUT Rising Edge | Measured at V <sub>DD</sub> /2                               | —    | 0    | ±350 | ps   |
| t <sub>7</sub>    | Device-to-Device Skew                        | Measured at V <sub>DD</sub> /2 on the CLKOUT pins of devices | —    | 0    | 700  | ps   |
| t <sub>8</sub>    | Output Slew Rate                             | Measured between 0.8V and 2V using Test Circuit #2           | 1    | —    | —    | V/ns |
| t <sub>J</sub>    | Cycle-to-Cycle Jitter, pk - pk               | Measured at 54-81MHz, loaded outputs                         | —    | —    | 170  | ps   |
|                   |  | Other frequencies, loaded outputs                            |      |      | 200  | ps   |
| t <sub>LOCK</sub> | PLL Lock Time                                | Stable power supply, valid clock presented on REF pin        | —    | —    | 1    | ms   |

NOTES:

1. REF Input has a threshold voltage of V<sub>DD</sub>/2.
2. All parameters specified with loaded outputs.

## ZERO DELAY AND SKEW CONTROL

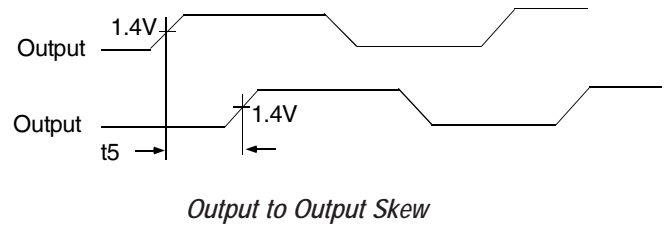
All outputs should be uniformly loaded in order to achieve Zero I/O Delay. Since the CLKOUT pin is the internal feedback for the PLL, its relative loading can affect and adjust the input/output delay.

For designs utilizing zero I/O Delay, all outputs including CLKOUT must be equally loaded. Even if the output is not used, it must have a capacitive load equal to that on the other outputs in order to obtain true zero I/O Delay. If I/O Delay adjustments are needed, use the Output Load Difference diagram to calculate loading differences between the CLKOUT pin and other outputs. For zero output-to-output skew, all outputs must be loaded equally.

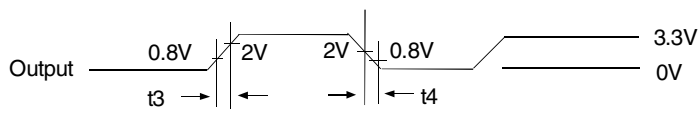
## SWITCHING WAVEFORMS



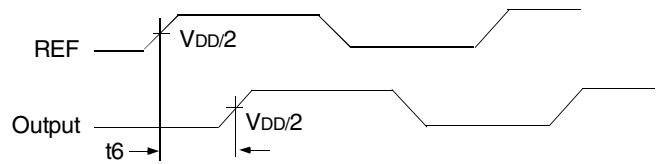
*Duty Cycle Timing*



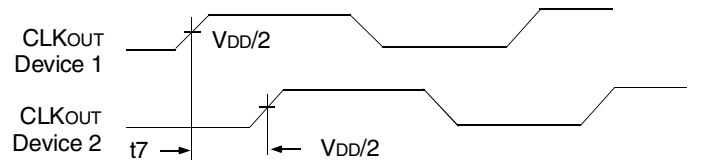
*Output to Output Skew*



*All Outputs Rise/Fall Time*

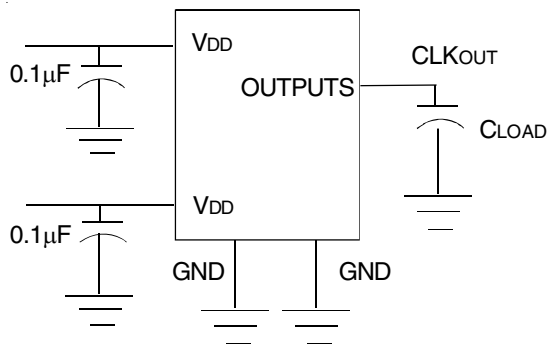


*Input to Output Propagation Delay*

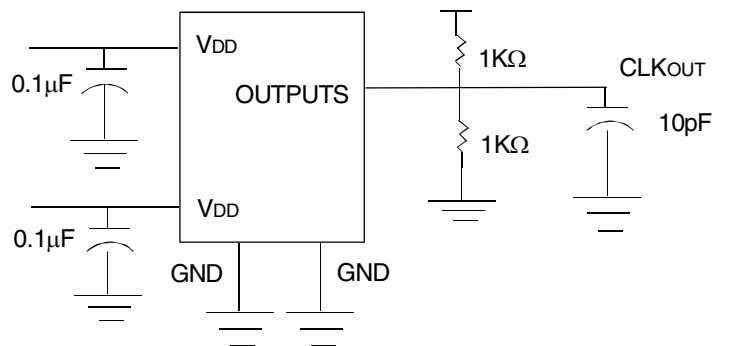


*Device to Device Skew*

## TEST CIRCUITS

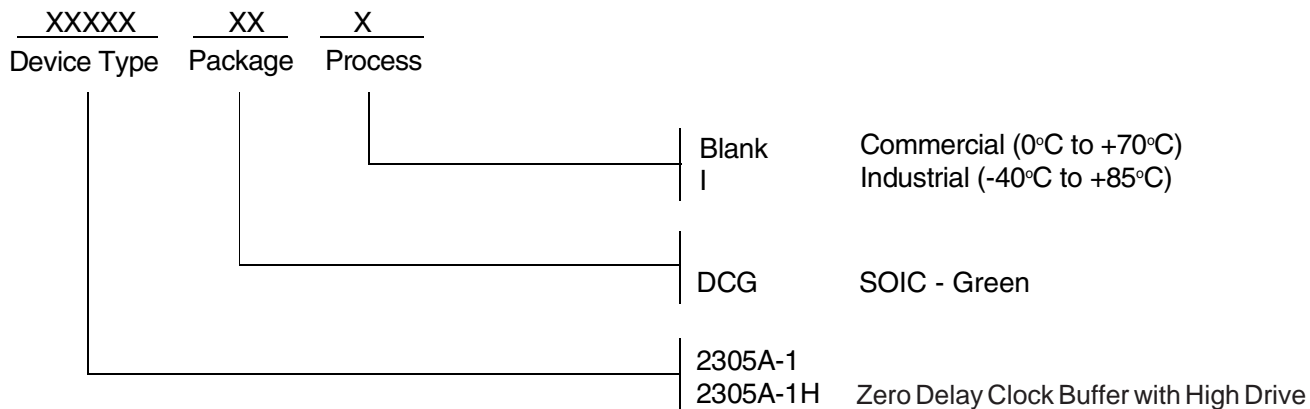


*Test Circuit 1 (all Parameters Except  $t_8$ )*



*Test Circuit 2 ( $t_8$ , Output Slew Rate On -1H Devices)*

**ORDERING INFORMATION**



| Ordering Code                 | Package Type | Operating Range |
|-------------------------------|--------------|-----------------|
| 2305A-1DCG8 (tape and reel)   | 8-Pin SOIC   | Commercial      |
| 2305A-1DCG                    | 8-Pin SOIC   | Commercial      |
| 2305A-1DCGI                   | 8-Pin SOIC   | Industrial      |
| 2305A-1DCGI8 (tape and reel)  | 8-Pin SOIC   | Industrial      |
| 2305A-1HDCG8 (tape and reel)  | 8-Pin SOIC   | Commercial      |
| 2305A-1HDCG                   | 8-Pin SOIC   | Commercial      |
| 2305A-1HDCGI                  | 8-Pin SOIC   | Industrial      |
| 2305A-1HDCGI8 (tape and reel) | 8-Pin SOIC   | Industrial      |

**G denotes Pb-free, RoHS complaint package; "8" denotes tape and reel**



**CORPORATE HEADQUARTERS**  
6024 Silver Creek Valley Road  
San Jose, CA 95138

**for SALES:**  
800-345-7015 or 408-284-8200  
fax: 408-284-2775  
www.idt.com

**for Tech Support:**  
clockhelp@idt.com



## Стандарт Электрон Связь

Мы молодая и активно развивающаяся компания в области поставок электронных компонентов. Мы поставляем электронные компоненты отечественного и импортного производства напрямую от производителей и с крупнейших складов мира.

Благодаря сотрудничеству с мировыми поставщиками мы осуществляем комплексные и плановые поставки широчайшего спектра электронных компонентов.

Собственная эффективная логистика и склад в обеспечивает надежную поставку продукции в точно указанные сроки по всей России.

Мы осуществляем техническую поддержку нашим клиентам и предпродажную проверку качества продукции. На все поставляемые продукты мы предоставляем гарантию .

Осуществляем поставки продукции под контролем ВП МО РФ на предприятия военно-промышленного комплекса России , а также работаем в рамках 275 ФЗ с открытием отдельных счетов в уполномоченном банке. Система менеджмента качества компании соответствует требованиям ГОСТ ISO 9001.

Минимальные сроки поставки, гибкие цены, неограниченный ассортимент и индивидуальный подход к клиентам являются основой для выстраивания долгосрочного и эффективного сотрудничества с предприятиями радиоэлектронной промышленности, предприятиями ВПК и научно-исследовательскими институтами России.

С нами вы становитесь еще успешнее!

### Наши контакты:

**Телефон:** +7 812 627 14 35

**Электронная почта:** [sales@st-electron.ru](mailto:sales@st-electron.ru)

**Адрес:** 198099, Санкт-Петербург,  
Промышленная ул, дом № 19, литера Н,  
помещение 100-Н Офис 331